

PEFY-M-VMA-A

CEILING CONCEALED DUCTED INDOOR UNIT

CITY MULTI

R32 

The PEFY-M-VMA-A ducted indoor unit is concealed within the ceiling space to allow unobtrusive air conditioning.

Flexibility of duct layout allows air flow patterns to be arranged to suit any application.

Key Features:

- Low height - only 250mm
- Wide range of external static pressure settings across entire range (35-150Pa)
- Low noise levels
- thanks to the use of a centrifugal fan
- Drain pump included as standard
- CN105 connector available - connect to MELCOBEMS MINI for simple BEMS interfacing

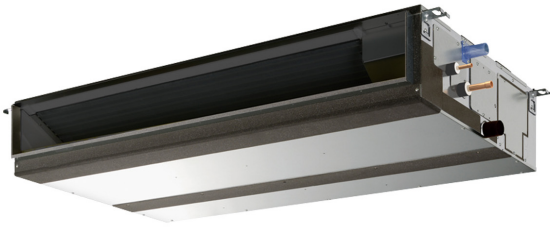


Air Conditioning Product Information

CITY MULTI

PEFY-M-VMA-A

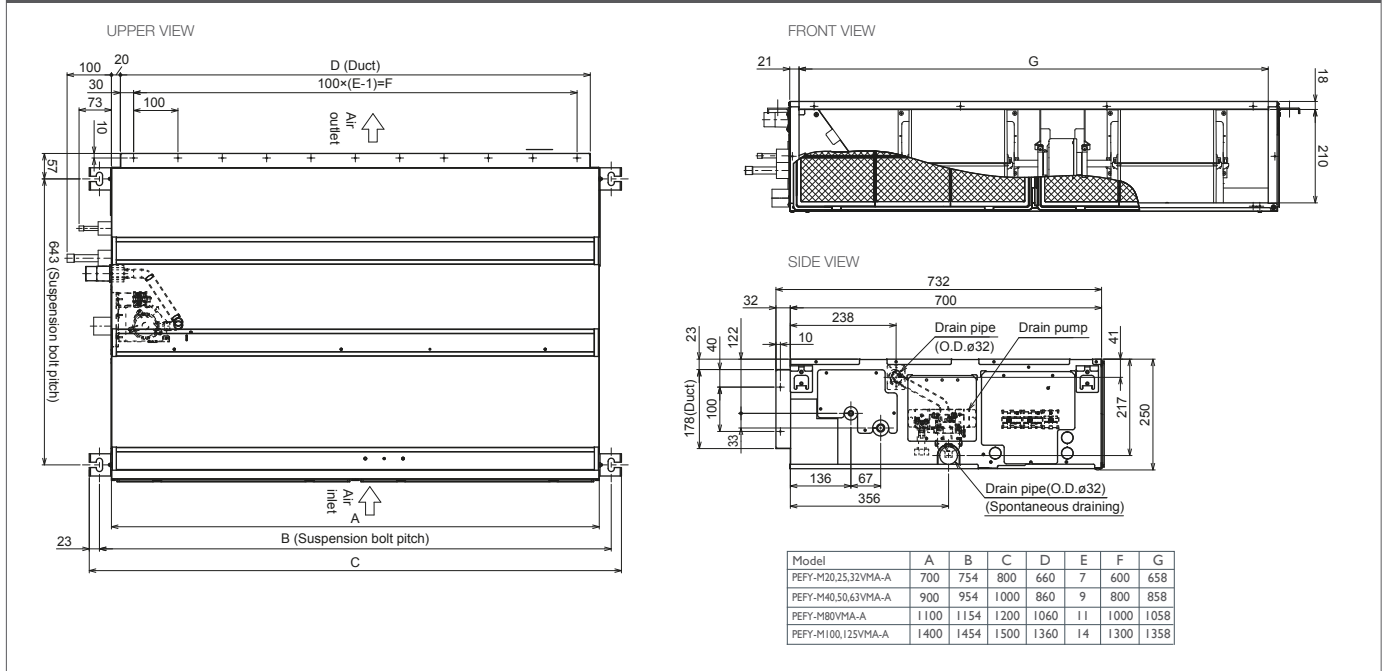
CEILING CONCEALED DUCTED INDOOR UNIT



| PEFY-M-VMA-A INDOOR UNITS | | PEFY-M20VMA-A | PEFY-M25VMA-A | PEFY-M32VMA-A | PEFY-M40VMA-A | PEFY-M50VMA-A | PEFY-M63VMA-A | PEFY-M80VMA-A | PEFY-M100VMA-A | PEFY-M125VMA-A |
|--|----------------------------------|------------------|------------------|------------------|------------------|------------------|------------------|------------------|------------------|------------------|
| CAPACITY (kW) | Heating (nominal) | 2.5 | 3.2 | 4.0 | 5.0 | 6.3 | 8.0 | 10.0 | 12.5 | 16.0 |
| | Cooling (nominal) | 2.2 | 2.8 | 3.6 | 4.5 | 5.6 | 7.1 | 9.0 | 11.2 | 14.0 |
| | UK Heating | 2.5 | 3.2 | 4.0 | 5.0 | 6.3 | 8.0 | 10.0 | 12.5 | 16.0 |
| | UK Total Cooling - Hi (Sensible) | 2.00 (1.80) | 2.50 (2.00) | 3.20 (2.50) | 4.10 (3.30) | 5.00 (4.10) | 6.40 (5.10) | 8.10 (5.90) | 10.10 (8.10) | 12.60 (9.90) |
| | UK Total Cooling - Mi | 1.94 | 2.42 | 3.07 | 3.94 | 4.80 | 6.11 | 7.78 | 9.67 | 12.07 |
| POWER INPUT (kW) | UK Total Cooling - Lo | 1.78 | 2.22 | 2.86 | 3.67 | 4.45 | 5.71 | 7.14 | 8.93 | 11.17 |
| | Heating (nominal) | 0.03 | 0.03 | 0.042 | 0.045 | 0.064 | 0.085 | 0.078 | 0.14 | 0.197 |
| | Cooling (nominal) | 0.032 | 0.032 | 0.044 | 0.047 | 0.066 | 0.087 | 0.08 | 0.142 | 0.199 |
| AIRFLOW (l/s) | Lo-Mi-Hi | 100-125-142 | 100-125-142 | 125-150-175 | 167-200-233 | 200-242-283 | 225-267-317 | 242-300-350 | 383-467-533 | 467-567-617 |
| EXTERNAL STATIC PRESSURE (Pa) | | 35-50-70-100-150 | 35-50-70-100-150 | 35-50-70-100-150 | 35-50-70-100-150 | 35-50-70-100-150 | 35-50-70-100-150 | 40-50-70-100-150 | 40-50-70-100-150 | 40-50-70-100-150 |
| SOUND PRESSURE LEVEL (dBA)* ¹ | Lo-Mi-Hi | 21-25-27 | 21-25-27 | 23-27-30 | 23-28-31 | 24-31-34 | 27-31-35 | 25-31-34 | 30-35-38 | 34-38-40 |
| WEIGHT (kg) | | 21 | 21 | 21 | 25 | 25 | 24 | 30 | 37 | 38 |
| DIMENSIONS (mm) | Width | 700 | 700 | 700 | 900 | 900 | 900 | 1100 | 1400 | 1400 |
| | Depth | 732 | 732 | 732 | 732 | 732 | 732 | 732 | 732 | 732 |
| | Height | 250 | 250 | 250 | 250 | 250 | 250 | 250 | 250 | 250 |
| ELECTRICAL SUPPLY | | 220-240v, 50Hz | 220-240v, 50Hz | 220-240v, 50Hz | 220-240v, 50Hz | 220-240v, 50Hz | 220-240v, 50Hz | 220-240v, 50Hz | 220-240v, 50Hz | 220-240v, 50Hz |
| PHASE | | Single | Single | Single | Single | Single | Single | Single | Single | Single |
| RUNNING CURRENT (A) | Heating / Cooling | 0.25 / 0.25 | 0.25 / 0.25 | 0.34 / 0.34 | 0.37 / 0.37 | 0.51 / 0.51 | 0.66 / 0.66 | 0.57 / 0.57 | 0.97 / 0.97 | 1.23 / 1.23 |
| FUSE RATING (BS88) - HRC (A) | | 6 | 6 | 6 | 6 | 6 | 6 | 6 | 6 | 6 |
| MAINS CABLE No. Cores | | 3 | 3 | 3 | 3 | 3 | 3 | 3 | 3 | 3 |

Note: *1 Measured in an anechoic chamber with a 1m inlet duct and 2m air outlet duct, 1.5m below unit.

PEFY-M20/25/32/40/50/63/71/80/100/125VMA-A DIMENSIONS



Telephone: 01707 282880
 email: air.conditioning@meuk.mee.com
les.mitsubishielectric.co.uk

[@meuk_les](https://twitter.com/meuk_les) |
 [in](https://www.linkedin.com/company/mitsubishi-electric-living-environmental-systems-uk) Mitsubishi Electric Living Environmental Systems UK |
 [f](https://www.facebook.com/mitsubishielectricuk) Mitsubishi Electric Cooling and Heating UK |
 [ig](https://www.instagram.com/mitsubishielectricuk_les) mitsubishielectricuk_les |
 [yt](https://www.youtube.com/channel/UC...) Mitsubishi Electric Living Environmental Systems UK |
 [BLOG](http://blog.thehub.mitsubishielectric.co.uk) thehub.mitsubishielectric.co.uk

UNITED KINGDOM Mitsubishi Electric Europe Living Environment Systems Division, Travellers Lane, Hatfield, Hertfordshire, AL10 8XB, England. Telephone: 01707 282880 Fax: 01707 278881
 IRELAND Mitsubishi Electric Europe, Westgate Business Park, Ballymount, Dublin 24, Ireland. Telephone: (01) 419 8800 Fax: (01) 419 8890 International code: (003531)

Country of origin: United Kingdom - Japan - Thailand - Malaysia. ©Mitsubishi Electric Europe 2019. Mitsubishi and Mitsubishi Electric are trademarks of Mitsubishi Electric Europe B.V. The company reserves the right to make any variation in technical specification to the equipment described, or to withdraw or replace products without prior notification or public announcement. Mitsubishi Electric is constantly developing and improving its products. All descriptions, illustrations, drawings and specifications in this publication present only general particulars and shall not form part of any contract. All goods are supplied subject to the Company's General Conditions of Sale, a copy of which is available on request. Third-party product and brand names may be trademarks or registered trademarks of their respective owners.

Note: The fuse rating is for guidance only. Please refer to the relevant databook for detailed specification. It is the responsibility of a qualified electrician/electrical engineer to select the correct cable size and fuse rating based on current regulation and site specific conditions. Mitsubishi Electric's air conditioning equipment and heat pump systems contain a fluorinated greenhouse gas, R410A (GWP:2088), R32 (GWP:675), R407C (GWP:1774) or R134a (GWP:1430). *These GWP values are based on Regulation (EU) No 517/2014 from IPCC 4th edition. In case of Regulation (EU) No.626/2011 from IPCC 3rd edition, these are as follows. R410A (GWP:1975), R32 (GWP:550), R407C (GWP:1650) or R134a (GWP:1300).

Effective as of November 2019

