

Air-Conditioners

PUZ-M•KA Series

PUZ-M•KA-ET Series

INSTALLATION MANUAL

For safe and correct use, read this manual and the indoor unit installation manual thoroughly before installing the air-conditioner unit.

FOR INSTALLER

INSTALLATIONSHANDBUCH

Aus Sicherheitsgründen und zur richtigen Verwendung vor der Installation die vorliegende Bedienungsanleitung und die Installationsanleitung der Innenanlage gründlich durchlesen die Klimaanlage.

FÜR INSTALLATEURE

MANUEL D'INSTALLATION

Avant d'installer le climatiseur, lire attentivement ce manuel, ainsi que le manuel d'installation de l'appareil intérieur pour une utilisation sûre et correcte.

POUR L'INSTALLATEUR

INSTALLATIEHANDLEIDING

Lees deze handleiding en de installatiehandleiding van het binnenapparaat zorgvuldig door voordat u met het installeren van de airconditioner begint.

VOOR DE INSTALLATEUR

MANUAL DE INSTALACIÓN

Para un uso correcto y seguro, lea detalladamente este manual y el manual de instalación de la unidad interior antes de instalar la unidad de aire acondicionado.

PARA EL INSTALADOR

MANUALE DI INSTALLAZIONE

Per un uso sicuro e corretto, leggere attentamente il presente manuale ed il manuale d'installazione dell'unità interna prima di installare il condizionatore d'aria.

PER L'INSTALLATORE

ΕΓΧΕΙΡΙΔΙΟ ΟΔΗΓΙΩΝ ΕΓΚΑΤΑΣΤΑΣΗΣ

Για σωστή και ασφαλή χρήση, διαβάστε προσεκτικά αυτό το εγχειρίδιο καθώς και το εγχειρίδιο εγκατάστασης της εσωτερικής μονάδας, προτού εγκαταστήσετε τη μονάδα του κλιματιστικού.

ΓΙΑ ΑΥΤΟΝ ΠΟΥ ΚΑΝΕΙ ΤΗΝ ΕΓΚΑΤΑΣΤΑΣΗ

MANUAL DE INSTALAÇÃO

Para uma utilização segura e correcta, leia atentamente este manual e o manual de instalação da unidade interior antes de instalar o aparelho de ar condicionado.

PARA O INSTALADOR

INSTALLATIONSMANUAL

Læs af sikkerhedshensyn denne manual samt manualen til installation af indendørsenheden grundigt, før du installerer klimaanlægget.

TIL INSTALLATØREN

INSTALLATIONSMANUAL

Läs bruksanvisningen och inomhusenhetens installationshandbok noga innan luftkonditioneringen installeras så att den används på ett säkert och korrekt sätt.

FÖR INSTALLATÖREN

INSTALLASJONSHÅNDBOK

For å sikre trygg og riktig bruk skal denne håndboken samt installasjonshåndboken for innendørsenheten leses grundig gjennom før du installerer klimaanleggenheten.

FOR MONTØR

INSTRUKCJA MONTAŻU

Aby zapewnić bezpieczne i prawidłowe korzystanie z urządzenia, przed montażem klimatyzatora należy dokładnie zapoznać się z treścią niniejszej instrukcji oraz instrukcji montażu jednostki wewnętrznej.

DLA INSTALATORA

MONTAJ EL KİTABI

Emniyetli ve doğru kullanım için, klima cihazını monte etmeden önce bu kılavuzu ve iç ünite montaj kılavuzunu tamamiyla okuyun.

MONTÖR İÇİN**English****Deutsch****Français****Nederlands****Español****Italiano****Ελληνικά****Português****Dansk****Svenska****Norsk****Polski****Türkçe**

Contents

1. Safety precautions	1	6. Electrical work	10
2. Installation location	2	7. Test run	12
3. Installing the outdoor unit	6	8. Special functions	12
4. Installing the refrigerant piping	6	9. System control (Fig. 9-1)	13
5. Drainage piping work	10		



Note: This symbol mark is for EU countries only.

This symbol mark is according to the directive 2012/19/EU Article 14 Information for users and Annex IX.

Your MITSUBISHI ELECTRIC product is designed and manufactured with high quality materials and components which can be recycled and reused.

This symbol means that electrical and electronic equipment, at their end-of-life, should be disposed of separately from your household waste.

Please, dispose of this equipment at your local community waste collection/recycling centre.

In the European Union there are separate collection systems for used electrical and electronic product.

Please, help us to conserve the environment we live in!

⚠ Caution:

- Do not vent R32 into the atmosphere.

1. Safety precautions

- ▶ Before installing the unit, make sure you read all the "Safety precautions".
- ▶ Please report to or take consent by the supply authority before connection to the system.
- ▶ PUZ-M•Y is designed for commercial and light industrial applications.
- ▶ Equipment complying with IEC/EN 61000-3-12 (PUZ-M100/125/140V)

⚠ Warning:

Describes precautions that must be observed to prevent danger of injury or death to the user.

⚠ Caution:

Describes precautions that must be observed to prevent damage to the unit.

After installation work has been completed, explain the "Safety Precautions," use, and maintenance of the unit to the customer according to the information in the Operation Manual and perform the test run to ensure normal operation. Both the Installation Manual and Operation Manual must be given to the user for keeping. These manuals must be passed on to subsequent users.

⚡ : Indicates a part which must be grounded.

⚠ Warning:

Carefully read the labels affixed to the main unit.

⊕ : Indicates warnings and cautions when using R32 refrigerant.

MEANINGS OF SYMBOLS DISPLAYED ON THE UNIT

	WARNING (Risk of fire)	This mark is for R32 refrigerant only. Refrigerant type is written on nameplate of outdoor unit. In case that refrigerant type is R32, this unit uses a flammable refrigerant. If refrigerant leaks and comes in contact with fire or heating part, it will create harmful gas and there is risk of fire.
		Read the OPERATION MANUAL carefully before operation.
		Service personnel are required to carefully read the OPERATION MANUAL and INSTALLATION MANUAL before operation.
		Further information is available in the OPERATION MANUAL, INSTALLATION MANUAL, and the like.

⚠ Warning:

- The unit must not be installed by the user. Ask a dealer or an authorized technician to install and repair the unit. If the unit is installed incorrectly, water leakage, electric shock, or fire may result.
- For installation and relocation work, follow the instructions in the Installation Manual and use tools and pipe components specifically made for use with R32 refrigerant. If pipe components not designed for R32 refrigerant are used and the unit is not installed correctly, the pipes may burst and cause damage or injuries. In addition, water leakage, electric shock, or fire may result.
- The unit must be installed according to the instructions in order to minimize the risk of damage from earthquakes, typhoons, or strong winds. An incorrectly installed unit may fall down and cause damage or injuries.
- The unit must be securely installed on a structure that can sustain its weight. If the unit is mounted on an unstable structure, it may fall down and cause damage or injuries.
- If the air conditioner is installed in a small room, measures must be taken to prevent the refrigerant concentration in the room from exceeding the safety limit in the event of refrigerant leakage. Consult a dealer regarding the appropriate measures to prevent the allowable concentration from being exceeded. Should the refrigerant leak and cause the concentration limit to be exceeded, hazards due to lack of oxygen in the room may result.
- Ventilate the room if refrigerant leaks during operation. If refrigerant comes into contact with a flame, poisonous gases will be released.
- All electric work must be performed by a qualified technician according to local regulations and the instructions given in this manual. The units must be powered by dedicated power lines and the correct voltage and circuit breakers must be used. Power lines with insufficient capacity or incorrect electrical work may result in electric shock or fire.
- Use C1220 copper phosphorus, for copper and copper alloy seamless pipes, to connect the refrigerant pipes. If the pipes are not connected correctly, the unit will not be properly grounded and electric shock may result.
- This appliance is intended to be used by expert or trained users in shops, in light industry and on farms, or for commercial use by lay persons.
- Use only specified cables for wiring. The wiring connections must be made securely with no tension applied on the terminal connections. Also, never splice the cables for wiring (unless otherwise indicated in this document). Failure to observe these instructions may result in overheating or a fire.
- If the supply cord is damaged, it must be replaced by the manufacturer, its service agent or similarly qualified persons in order to avoid hazard.
- The appliance shall be installed in accordance with national wiring regulations.
- The terminal block cover panel of the outdoor unit must be firmly attached. If the cover panel is mounted incorrectly and dust and moisture enter the unit, electric shock or fire may result.
- When installing or relocating, or servicing the air conditioner, use only the specified refrigerant (R32) to charge the refrigerant lines. Do not mix it with any other refrigerant and do not allow air to remain in the lines.

If air is mixed with the refrigerant, then it can be the cause of abnormal high pressure in the refrigerant line, and may result in an explosion and other hazards.

The use of any refrigerant other than that specified for the system will cause mechanical failure or system malfunction or unit breakdown. In the worst case, this could lead to a serious impediment to securing product safety.

- Use only accessories authorized by Mitsubishi Electric and ask a dealer or an authorized technician to install them. If accessories are incorrectly installed, water leakage, electric shock, or fire may result.
- Do not alter the unit. Consult a dealer for repairs. If alterations or repairs are not performed correctly, water leakage, electric shock, or fire may result.
- The user should never attempt to repair the unit or transfer it to another location. If the unit is installed incorrectly, water leakage, electric shock, or fire may result. If the air conditioner must be repaired or moved, ask a dealer or an authorized technician.
- After installation has been completed, check for refrigerant leaks. If refrigerant leaks into the room and comes into contact with the flame of a heater or portable cooking range, poisonous gases will be released.
- Do not use means to accelerate the defrosting process or to clean, other than those recommended by the manufacturer.
- The appliance shall be stored in a room without continuously operating ignition sources (for example: open flames, an operating gas appliance or an operating electric heater).
- Do not pierce or burn.
- Be aware that refrigerants may not contain an odour.
- ⊕ Pipe-work shall be protected from physical damage.
- The installation of pipe-work shall be kept to a minimum.
- Compliance with national gas regulations shall be observed.
- Keep any required ventilation openings clear of obstruction.
- ⊕ Do not use low temperature solder alloy in case of brazing the refrigerant pipes.
- ⊕ When performing brazing work, be sure to ventilate the room sufficiently. Make sure that there are no hazardous or flammable materials nearby. When performing the work in a closed room, small room, or similar location, make sure that there are no refrigerant leaks before performing the work. If refrigerant leaks and accumulates, it may ignite or poisonous gases may be released.
- ⊕ The appliance shall be stored in a well-ventilated area where the room size corresponds to the room area as specified for operation.
- ⊕ Keep gas-burning appliances, electric heaters, and other fire sources (ignition sources) away from the location where installation, repair, and other air conditioner work will be performed. If refrigerant comes into contact with a flame, poisonous gases will be released.
- ⊕ Do not smoke during work and transportation.

1. Safety precautions

1.1. Before installation

⚠ Caution:

- Do not use the unit in an unusual environment. If the air conditioner is installed in areas exposed to steam, volatile oil (including machine oil), or sulfuric gas, areas exposed to high salt content such as the seaside, or areas where the unit will be covered by snow, the performance can be significantly reduced and the internal parts can be damaged.
- Do not install the unit where combustible gases may leak, be produced, flow, or accumulate. If combustible gas accumulates around the unit, fire or explosion may result.
- The outdoor unit produces condensation during the heating operation. Make sure to provide drainage around the outdoor unit if such condensation is likely to cause damage.
- When installing the unit in a hospital or communications office, be prepared for noise and electronic interference. Inverters, home appliances, high-frequency medical equipment, and radio communications equipment can cause the air conditioner to malfunction or breakdown. The air conditioner may also affect medical equipment, disturbing medical care, and communications equipment, harming the screen display quality.

1.2. Before installation (relocation)

⚠ Caution:

- Be extremely careful when transporting or installing the units. Two or more persons are needed to handle the unit, as it weighs 20 kg or more. Do not grasp the packaging bands. Wear protective gloves to remove the unit from the packaging and to move it, as you can injure your hands on the fins or the edge of other parts.
- Be sure to safely dispose of the packaging materials. Packaging materials, such as nails and other metal or wooden parts may cause stabs or other injuries.
- The base and attachments of the outdoor unit must be periodically checked for looseness, cracks or other damage. If such defects are left uncorrected, the unit may fall down and cause damage or injuries.
- Do not clean the air conditioner unit with water. Electric shock may result.
- Tighten all flare nuts to specification using a torque wrench. If tightened too much, the flare nut can break after an extended period and refrigerant can leak out.

1.3. Before electric work

⚠ Caution:

- Be sure to install circuit breakers. If not installed, electric shock may result.
- For the power lines, use standard cables of sufficient capacity. Otherwise, a short circuit, overheating, or fire may result.
- When installing the power lines, do not apply tension to the cables. If the connections are loosened, the cables can snap or break and overheating or fire may result.
- Be sure to ground the unit. Do not connect the ground wire to gas or water pipes, lightning rods, or telephone grounding lines. If the unit is not properly grounded, electric shock may result.
- Use circuit breakers (ground fault interrupter, isolating switch (+B fuse), and molded case circuit breaker) with the specified capacity. If the circuit breaker capacity is larger than the specified capacity, breakdown or fire may result.

1.4. Before starting the test run

⚠ Caution:

- Turn on the main power switch more than 12 hours before starting operation. Starting operation just after turning on the power switch can severely damage the internal parts. Keep the main power switch turned on during the operation season.
- Before starting operation, check that all panels, guards and other protective parts are correctly installed. Rotating, hot, or high voltage parts can cause injuries.
- Do not touch any switch with wet hands. Electric shock may result.
- Do not touch the refrigerant pipes with bare hands during operation. The refrigerant pipes are hot or cold depending on the condition of the flowing refrigerant. If you touch the pipes, burns or frostbite may result.
- After stopping operation, be sure to wait at least five minutes before turning off the main power switch. Otherwise, water leakage or breakdown may result.

1.5. Using R32 refrigerant air conditioners

⚠ Caution:

- Use C1220 copper phosphorus, for copper and copper alloy seamless pipes, to connect the refrigerant pipes. Make sure the insides of the pipes are clean and do not contain any harmful contaminants such as sulfuric compounds, oxidants, debris, or dust. Use pipes with the specified thickness. (Refer to 4.1.) Note the following if reusing existing pipes that carried R22 refrigerant.
 - Replace the existing flare nuts and flare the flared sections again.
 - Do not use thin pipes. (Refer to 4.1.)
- Store the pipes to be used during installation indoors and keep both ends of the pipes sealed until just before brazing. (Leave elbow joints, etc. in their packaging.) If dust, debris, or moisture enters the refrigerant lines, oil deterioration or compressor breakdown may result.
- Use ester oil, ether oil, alkylbenzene oil (small amount) as the refrigeration oil applied to the flared sections. If mineral oil is mixed in the refrigeration oil, oil deterioration may result.
- Servicing shall be performed only as recommended by the manufacturer.
- Do not use refrigerant other than R32 refrigerant.
- Use the following tools specifically designed for use with R32 refrigerant. The following tools are necessary to use R32 refrigerant. Contact your nearest dealer for any questions.

Tools (for R32)	
Gauge manifold	Flare tool
Charge hose	Size adjustment gauge
Gas leak detector	Vacuum pump adapter
Torque wrench	Electronic refrigerant charging scale

- Be sure to use the correct tools. If dust, debris, or moisture enters the refrigerant lines, refrigeration oil deterioration may result.

2. Installation location

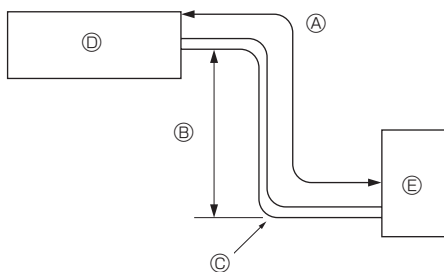


Fig. 2-1

2.1. Refrigerant pipe (Fig. 2-1)

- Check that the difference between the heights of the indoor and outdoor units, the length of refrigerant pipe, and the number of bends in the pipe are within the limits shown below.

Models	Ⓐ Pipe length (one way)	Ⓑ Height difference	Ⓒ Number of bends (one way)
M100	Max. 55 m	Max. 30 m	Max. 15
M125/140	Max. 65 m	Max. 30 m	Max. 15

- Height difference limitations are binding regardless of which unit, indoor or outdoor, is positioned higher.
 - Ⓓ Indoor unit
 - Ⓔ Outdoor unit

2. Installation location

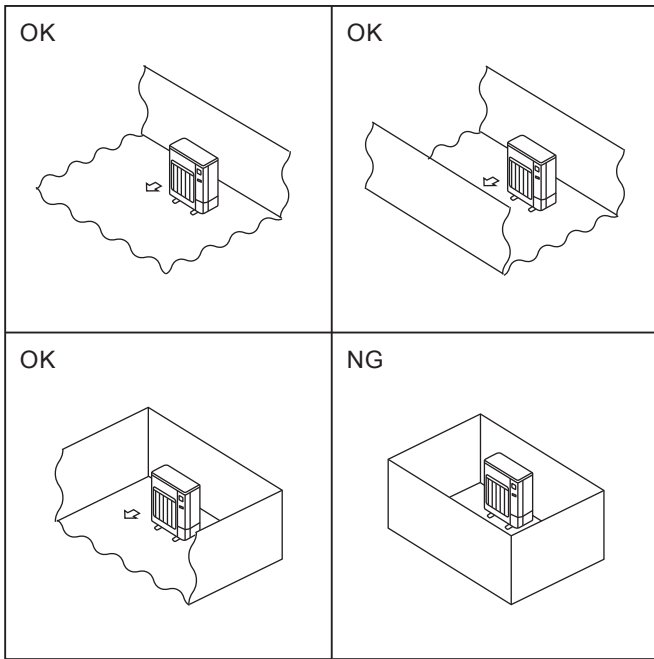


Fig. 2-2

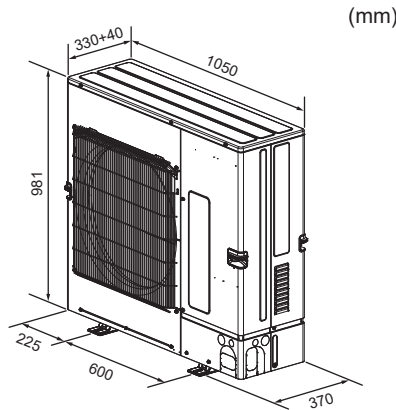


Fig. 2-3

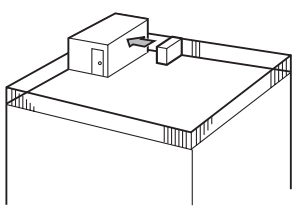


Fig. 2-4

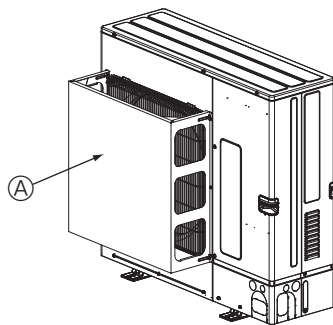


Fig. 2-5

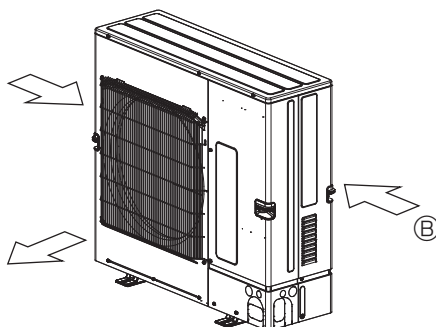


Fig. 2-6

2.2. Choosing the outdoor unit installation location

Ⓞ R32 is heavier than air—as well as other refrigerants—so tends to accumulate at the base (in the vicinity of the floor). If R32 accumulates around base, it may reach a flammable concentration in case room is small. To avoid ignition, maintaining a safe work environment is required by ensuring appropriate ventilation. If a refrigerant leak is confirmed in a room or an area where there is insufficient ventilation, refrain from using of flames until the work environment can be improved by ensuring appropriate ventilation.

- Avoid locations exposed to direct sunlight or other sources of heat.
 - Select a location from which noise emitted by the unit will not inconvenience neighbors.
 - Select a location permitting easy wiring and pipe access to the power source and indoor unit.
 - Avoid locations where combustible gases may leak, be produced, flow, or accumulate.
 - Note that water may drain from the unit during operation.
 - Select a level location that can bear the weight and vibration of the unit.
 - Avoid locations where the unit can be covered by snow. In areas where heavy snow fall is anticipated, special precautions such as raising the installation location or installing a hood on the air intake must be taken to prevent the snow from blocking the air intake or blowing directly against it. This can reduce the airflow and a malfunction may result.
 - Avoid locations exposed to oil, steam, or sulfuric gas.
 - Use the transportation handles of the outdoor unit to transport the unit. If the unit is carried from the bottom, hands or fingers may be pinched.
 - Refrigerant pipes connection shall be accessible for maintenance purposes.
- Ⓞ Install outdoor units in a place where at least one of the four sides is open, and in a sufficiently large space without depressions. (Fig. 2-2)

2.3. Outline dimensions (Outdoor unit) (Fig. 2-3)

2.4. Ventilation and service space

2.4.1. Windy location installation

When installing the outdoor unit on a rooftop or other location unprotected from the wind, situate the air outlet of the unit so that it is not directly exposed to strong winds. Strong wind entering the air outlet may impede the normal airflow and a malfunction may result.

The following shows three examples of precautions against strong winds.

- ① Face the air outlet towards the nearest available wall about 500 mm away from the wall. (Fig. 2-4)
- ② Install an optional air guide if the unit is installed in a location where strong winds from a typhoon, etc. may directly enter the air outlet. (Fig. 2-5)
 - Ⓐ Air outlet guide
- ③ Position the unit so that the air outlet blows perpendicularly to the seasonal wind direction, if possible. (Fig. 2-6)
 - Ⓑ Wind direction

2.4.2. When installing a single outdoor unit (Refer to the last page)

Minimum dimensions are as follows, except for Max., meaning Maximum dimensions, indicated.

Refer to the figures for each case.

- ① Obstacles at rear only (Fig. 2-7)
- ② Obstacles at rear and above only (Fig. 2-8)
- ③ Obstacles at rear and sides only (Fig. 2-9)
- ④ Obstacles at front only (Fig. 2-10)
 - * When using an optional air outlet guide, the clearance is 500 mm or more.
- ⑤ Obstacles at front and rear only (Fig. 2-11)
 - * When using an optional air outlet guide, the clearance is 500 mm or more.
- ⑥ Obstacles at rear, sides, and above only (Fig. 2-12)
 - Do not install the optional air outlet guides for upward airflow.

2.4.3. When installing multiple outdoor units (Refer to the last page)

Leave 50 mm for M100-140 space or more between the units.

- ① Obstacles at rear only (Fig. 2-13)
- ② Obstacles at rear and above only (Fig. 2-14)
 - No more than 3 units must be installed side by side. In addition, leave space as shown.
 - Do not install the optional air outlet guides for upward airflow.
- ③ Obstacles at front only (Fig. 2-15)
 - * When using an optional air outlet guide, the clearance for M100-140 models is 1000 mm or more.
- ④ Obstacles at front and rear only (Fig. 2-16)
 - * When using an optional air outlet guide, the clearance for M100-140 models is 1000 mm or more.
- ⑤ Single parallel unit arrangement (Fig. 2-17)
 - * When using an optional air outlet guide installed for upward airflow, the clearance is 1000 mm or more.
- ⑥ Multiple parallel unit arrangement (Fig. 2-18)
 - * When using an optional air outlet guide installed for upward airflow, the clearance is 1500 mm or more.
- ⑦ Stacked unit arrangement (Fig. 2-19)
 - The units can be stacked up to two units high.
 - No more than 2 stacked units must be installed side by side. In addition, leave space as shown.

2. Installation location

2.5. Minimum installation area

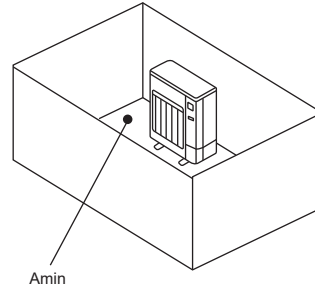
If you unavoidably install a unit in a space where all four sides are blocked or there are depressions, confirm that one of these situations (A, B or C) is satisfied.

Note: These countermeasures are for keeping safety not for specification guarantee.

A) Secure sufficient installation space (minimum installation area A_{min}).

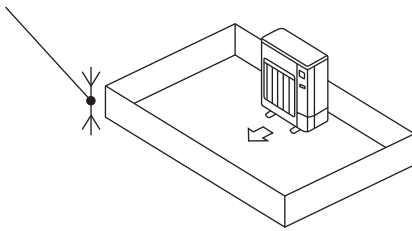
Install in a space with an installation area of A_{min} or more, corresponding to refrigerant quantity M (factory-charged refrigerant + locally added refrigerant).

M [kg]	A_{min} [m ²]
1.0	12
1.5	17
2.0	23
2.5	28
3.0	34
3.5	39
4.0	45
4.5	50
5.0	56
5.5	62
6.0	67
6.5	73
7.0	78
7.5	84

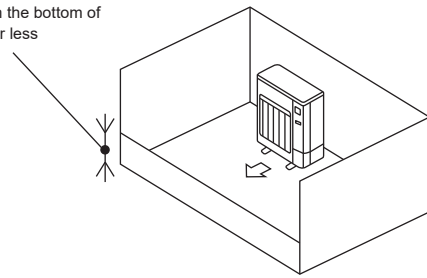


B) Install in a space with a depression height of ≤ 0.125 [m].

Height from the bottom of
0.125 [m] or less



Height from the bottom of
0.125 [m] or less

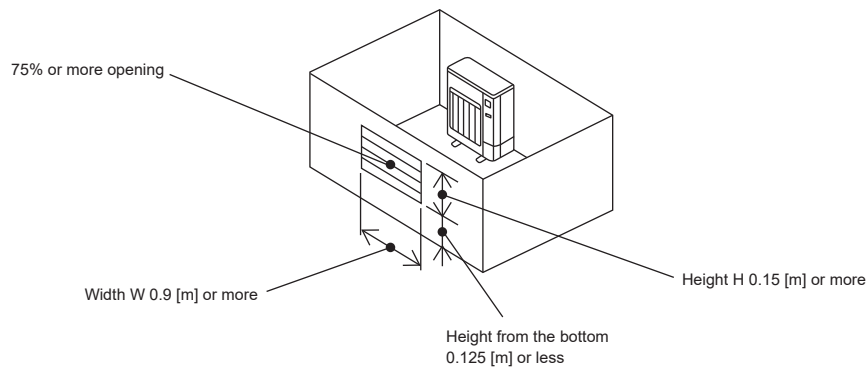


C) Create an appropriate ventilation open area.

Make sure that the width of the open area is 0.9 [m] or more and the height of the open area is 0.15 [m] or more.

However, the height from the bottom of the installation space to the bottom edge of the open area should be 0.125 [m] or less.

Open area should be 75% or more opening.



2. Installation location

■ Indoor units

Install in a room with a floor area of A_{min} or more, corresponding to refrigerant quantity M (factory-charged refrigerant + locally added refrigerant).

* For the factory-charged refrigerant amount, refer to the spec nameplate or installation manual.

For the amount to be added locally, refer to the installation manual.

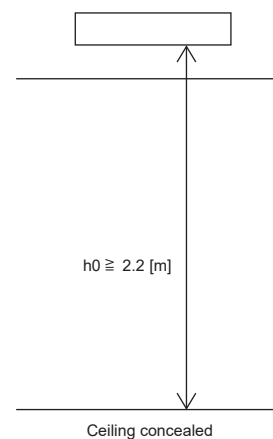
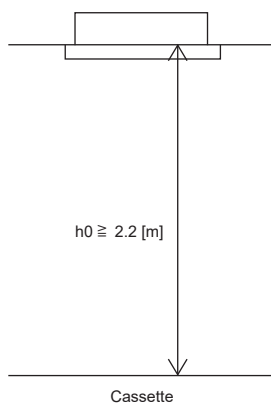
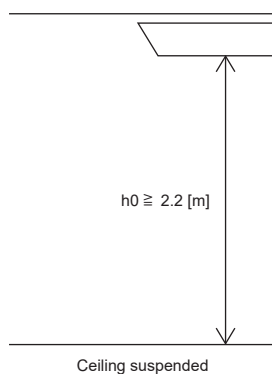
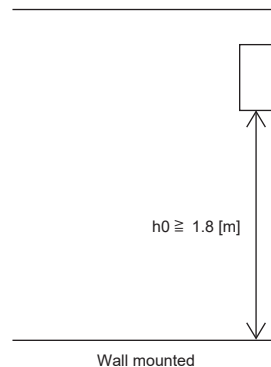
Install the indoor unit so that the height from the floor to the bottom of the indoor unit is h_0 ;

for wall mounted: 1.8 m or more;

for ceiling suspended, cassette and ceiling concealed: 2.2 m or more.

* There are restrictions in installation height for each model, so read the installation manual for the particular unit.

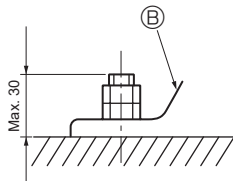
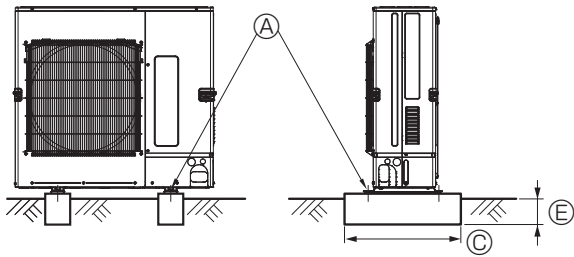
M [kg]	A_{min} [m ²]
1.0	4
1.5	6
2.0	8
2.5	10
3.0	12
3.5	14
4.0	16
4.5	20
5.0	24
5.5	29
6.0	35
6.5	41
7.0	47
7.5	54



en

3. Installing the outdoor unit

(mm)



- Ⓐ M10 (3/8") bolt
- Ⓑ Base
- Ⓒ As long as possible.
- Ⓓ Vent
- Ⓔ Set deep in the ground

- Be sure to install the unit in a sturdy, level surface to prevent rattling noises during operation. (Fig. 3-1)

<Foundation specifications>

Foundation bolt	M10 (3/8")
Thickness of concrete	120 mm
Length of bolt	70 mm
Weight-bearing capacity	320 kg

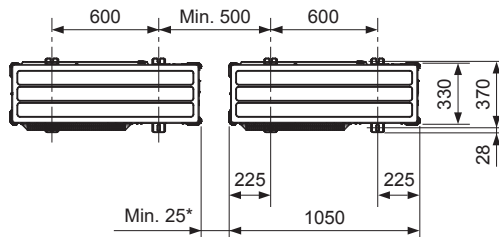
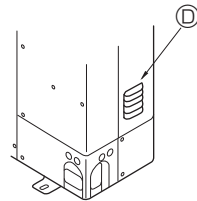
- Make sure that the length of the foundation bolt is within 30 mm of the bottom surface of the base.
- Secure the base of the unit firmly with four-M10 foundation bolts in sturdy locations.

Installing the outdoor unit

- Do not block the vent. If the vent is blocked, operation will be hindered and breakdown may result.
- In addition to the unit base, use the installation holes on the back of the unit to attach wires, etc., if necessary to install the unit. Use self-tapping screws (ø5 × 15 mm or less) and install on site.

⚠ Warning:

- The unit must be securely installed on a structure that can sustain its weight. If the unit is mounted on an unstable structure, it may fall down and cause damage or injuries.
- The unit must be installed according to the instructions in order to minimize the risk of damage from earthquakes, typhoons, or strong winds. An incorrectly installed unit may fall down and cause damage or injuries.



* When installing a single outdoor unit, the clearance is 15 mm or more.

Fig. 3-1

4. Installing the refrigerant piping

4.1. Precautions for devices that use R32 refrigerant

- Refer to 1.5. for precautions not included below on using air conditioners with R32 refrigerant.
 - Use ester oil, ether oil, alkylbenzene oil (small amount) as the refrigeration oil applied to the flared sections.
 - Use C1220 copper phosphorus, for copper and copper alloy seamless pipes, to connect the refrigerant pipes. Use refrigerant pipes with the thicknesses specified in the table to the below. Make sure the insides of the pipes are clean and do not contain any harmful contaminants such as sulfuric compounds, oxidants, debris, or dust.
- Always apply no-oxidation brazing when brazing the pipes, otherwise, the compressor will be damaged.

⚠ Warning:

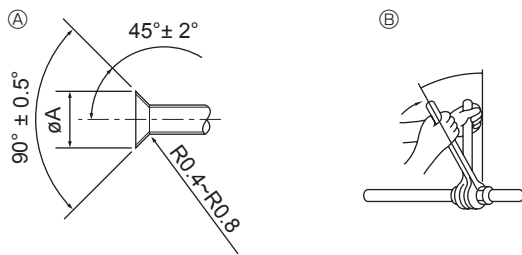
When installing or relocating, or servicing the air conditioner, use only the specified refrigerant (R32) to charge the refrigerant lines. Do not mix it with any other refrigerant and do not allow air to remain in the lines. If air is mixed with the refrigerant, then it can be the cause of abnormal high pressure in the refrigerant line, and may result in an explosion and other hazards.

The use of any refrigerant other than that specified for the system will cause mechanical failure or system malfunction or unit breakdown. In the worst case, this could lead to a serious impediment to securing product safety.

Pipe size (mm)	ø6.35	ø9.52	ø12.7	ø15.88	ø19.05	ø22.2	ø25.4	ø28.58
Thickness (mm)	0.8	0.8	0.8	1.0	1.0	1.0	1.0	1.0

- Do not use pipes thinner than those specified above.
- Use 1/2 H or H pipes if the diameter is 19.05 mm or larger.
- Be sure to have appropriate ventilation in order to prevent ignition. Furthermore, be sure to carry out fire prevention measures that there are no dangerous or flammable objects in the surrounding area.

4. Installing the refrigerant piping



- Ⓐ Flare cutting dimensions
Ⓑ Flare nut tightening torque

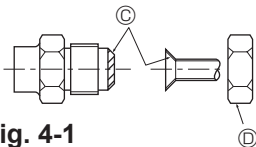


Fig. 4-1

Ⓐ (Fig. 4-1)

Copper pipe O.D. (mm)	Flare dimensions ØA dimensions (mm)
ø6.35	8.7 - 9.1
ø9.52	12.8 - 13.2
ø12.7	16.2 - 16.6
ø15.88	19.3 - 19.7
ø19.05	23.6 - 24.0

Ⓑ (Fig. 4-1)

Copper pipe O.D. (mm)	Flare nut O.D. (mm)	Tightening torque (N·m)
ø6.35	17	14 - 18
ø6.35	22	34 - 42
ø9.52	22	34 - 42
ø12.7	26	49 - 61
ø12.7	29	68 - 82
ø15.88	29	68 - 82
ø15.88	36	100 - 120
ø19.05	36	100 - 120

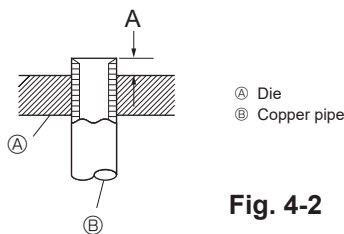
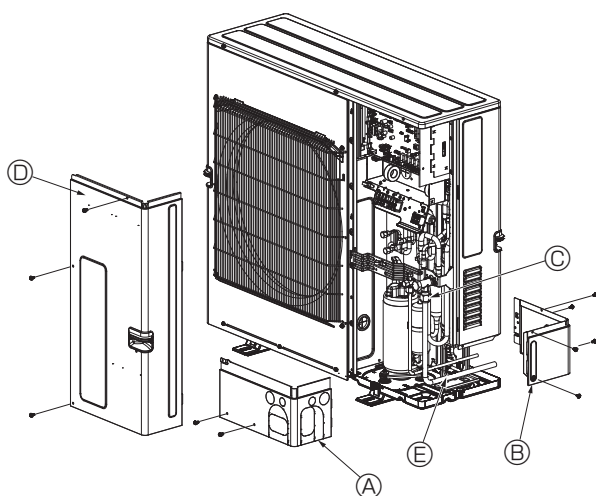


Fig. 4-2



- Ⓐ Front piping cover
Ⓑ Rear piping cover
Ⓒ Stop valve
Ⓓ Service panel
Ⓔ Bend radius : 100 mm -150 mm

Fig. 4-3

4.2. Connecting pipes (Fig. 4-1)

- When commercially available copper pipes are used, wrap liquid and gas pipes with commercially available insulation materials (heat-resistant to 100 °C or more, thickness of 12 mm or more).
- The indoor parts of the drain pipe should be wrapped with polyethylene foam insulation materials (specific gravity of 0.03, thickness of 9 mm or more).
- Apply thin layer of refrigerant oil to pipe and joint seating surface before tightening flare nut. Ⓐ
- Use two wrenches to tighten piping connections. Ⓑ
- Use leak detector or soapy water to check for gas leaks after connections are completed.
- Apply refrigerating machine oil over the entire flare seat surface. Ⓒ
- Use the flare nuts for the following pipe size. Ⓓ

Gas side	Pipe size (mm)	ø15.88
Liquid side	Pipe size (mm)	ø9.52

- When bending the pipes, be careful not to break them. Bend radii of 100 mm to 150 mm are sufficient.
- Make sure the pipes do not contact the compressor. Abnormal noise or vibration may result.
- Pipes must be connected starting from the indoor unit.
Flare nuts must be tightened with a torque wrench.
- Flare the liquid pipes and gas pipes and apply a thin layer of refrigeration oil (Applied on site).
- When usual pipe sealing is used, refer to Table 1 for flaring of R32 refrigerant pipes.
The size adjustment gauge can be used to confirm A measurements.

Table 1 (Fig. 4-2)

Copper pipe O.D. (mm)	A (mm)	
	Flare tool for R32	Flare tool for R22·R407C
	Clutch type	
ø6.35 (1/4")	0 - 0.5	1.0 - 1.5
ø9.52 (3/8")	0 - 0.5	1.0 - 1.5
ø12.7 (1/2")	0 - 0.5	1.0 - 1.5
ø15.88 (5/8")	0 - 0.5	1.0 - 1.5
ø19.05 (3/4")	0 - 0.5	1.0 - 1.5

4.3. Refrigerant piping (Fig. 4-3)

Remove the service panel Ⓓ (3 screws) and the cover panel front Ⓐ (2 screws) and cover panel rear Ⓑ (5 screws).

- Perform refrigerant piping connections for the indoor/outdoor unit when the outdoor unit's stop valve is completely closed.
- Vacuum-purge air from the indoor unit and the connection piping.
- After connecting the refrigerant pipes, check the connected pipes and the indoor unit for gas leaks. (Refer to 4.4. Refrigerant pipe airtight testing method)
- A high-performance vacuum pump is used at the stop valve service port to maintain a vacuum for an adequate time (at least one hour after reaching -101 kPa (5 Torr)) in order to vacuum dry the inside of the pipes. Always check the degree of vacuum at the gauge manifold. If there is any moisture left in the pipe, the degree of vacuum is sometimes not reached with short-time vacuum application.
After vacuum drying, completely open the stop valves (both liquid and gas) for the outdoor unit. This completely links the indoor and outdoor refrigerant circuits.
 - If the vacuum drying is inadequate, air and water vapor remain in the refrigerant circuits and can cause abnormal rise of high pressure, abnormal drop of low pressure, deterioration of the refrigerating machine oil due to moisture, etc.
 - If the stop valves are left closed and the unit is operated, the compressor and control valves will be damaged.
 - Use a leak detector or soapy water to check for gas leaks at the pipe connection sections of the outdoor unit.
 - Do not use the refrigerant from the unit to purge air from the refrigerant lines.
 - After the valve work is completed, tighten the valve caps to the correct torque: 20 to 25 N·m (200 to 250 kgf·cm).
Failure to replace and tighten the caps may result in refrigerant leakage. In addition, do not damage the insides of the valve caps as they act as a seal to prevent refrigerant leakage.
- Use sealant to seal the ends of the thermal insulation around the pipe connection sections to prevent water from entering the thermal insulation.

4. Installing the refrigerant piping

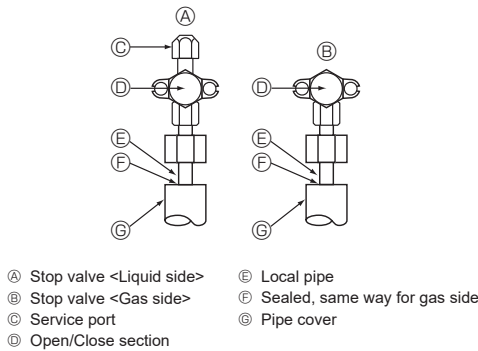


Fig. 4-4

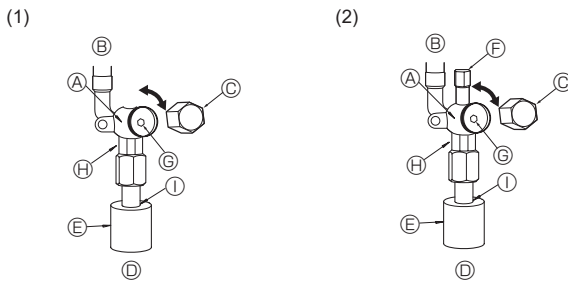


Fig. 4-5

Fig. 4-6

- A Valve
- B Unit side
- C Cap
- D Local pipe side
- E Pipe cover
- F Service port
- G Wrench hole
- H Double spanner section
(Do not apply a spanner other than to this section. Doing so would cause coolant leaks.)
- I Seal section
(Seal the end of the heat insulation material at the pipe connection section with whatever seal material you have on hand so that water does not infiltrate the heat insulation material.)

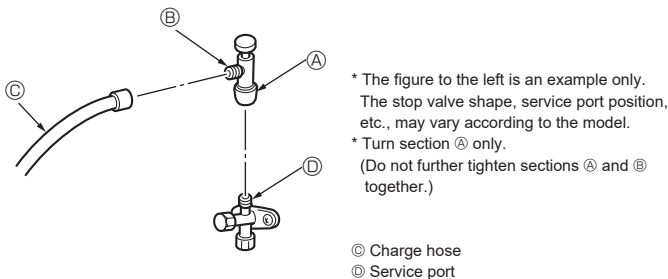


Fig. 4-7

4.4. Refrigerant pipe airtight testing method (Fig. 4-4)

- (1) Connect the testing tools.
 - Make sure the stop valves A B are closed and do not open them.
 - Add pressure to the refrigerant lines through the service port C of the liquid stop valve A.
- (2) Do not add pressure to the specified pressure all at once; add pressure little by little.
 - ① Pressurize to 0.5 MPa (5 kgf/cm²G), wait five minutes, and make sure the pressure does not decrease.
 - ② Pressurize to 1.5 MPa (15 kgf/cm²G), wait five minutes, and make sure the pressure does not decrease.
 - ③ Pressurize to 4.15 MPa (41.5 kgf/cm²G) and measure the surrounding temperature and refrigerant pressure.
- (3) If the specified pressure holds for about one day and does not decrease, the pipes have passed the test and there are no leaks.
 - If the surrounding temperature changes by 1 °C, the pressure will change by about 0.01 MPa (0.1 kgf/cm²G). Make the necessary corrections.
- (4) If the pressure decreases in steps (2) or (3), there is a gas leak. Look for the source of the gas leak.

4.5. Stop valve opening method

The stop valve opening method varies according to the outdoor unit model. Use the appropriate method to open the stop valves.

- (1) Gas side (Fig. 4-5)
 - ① Remove the cap and turn the valve rod counterclockwise as far as it will go with the use of a 5 mm hexagonal wrench. Stop turning when it hits the stopper. (ø 15.88: Approximately 13 revolutions)
 - ② Make sure that the stop valve is open completely and rotate the cap back to its original position.
- (2) Liquid side (Fig. 4-6)
 - ① Remove the cap and turn the valve rod counterclockwise as far as it will go with the use of a 4 mm hexagonal wrench. Stop turning when it hits the stopper. (ø 9.52: Approximately 10 revolutions)
 - ② Make sure that the stop valve is open completely, push in the handle and rotate the cap back to its original position.

Refrigerant pipes are protectively wrapped

- The pipes can be protectively wrapped up to a diameter of ø90 before or after connecting the pipes. Cut out the knockout in the pipe cover following the groove and wrap the pipes.

Pipe inlet gap

- Use putty or sealant to seal the pipe inlet around the pipes so that no gaps remain. (If the gaps are not closed, noise may be emitted or water and dust will enter the unit and breakdown may result.)

Precautions when using the charge valve (Fig. 4-7)

Do not tighten the service port too much when installing it, otherwise, the valve core could be deformed and become loose, causing a gas leak.

After positioning section B in the desired direction, turn section A only and tighten it. Do not further tighten sections A and B together after tightening section A.

Warning:

When installing the unit, securely connect the refrigerant pipes before starting the compressor.

4.6. Addition of refrigerant

- Additional charging is not necessary if the pipe length does not exceed 30 m.
- If the pipe length exceeds 30 m, charge the unit with additional R32 refrigerant according to the permitted pipe lengths in the chart below.
 - * When the unit is stopped, charge the unit with the additional refrigerant through the liquid stop valve after the pipe extensions and indoor unit have been vacuumized.
 - When the unit is operating, add refrigerant to the gas check valve using a safety charger. Do not add liquid refrigerant directly to the check valve.
 - * After charging the unit with refrigerant, note the added refrigerant amount on the service label (attached to the unit).
 - Refer to the "1.5. Using R32 refrigerant air conditioners" for more information.

- Be careful when installing multiple units. Connecting to an incorrect indoor unit can lead to abnormally high pressure and have a serious effect on operation performance.
- R32 maintenance refilling: Before servicing refilling the equipment with R32 to ensure that there is no risk of explosion from electrical sparks it must be ensured that the equipment machine is 100% disconnected from the mains supply.

Model	Permitted pipe length	Permitted vertical difference	Additional refrigerant charging amount					Maximum amount of refrigerant
			31 - 40 m	41 - 50 m	51 - 55 m	56 - 60 m	61 - 65 m	
M100	- 55 m	- 30 m	0.4 kg	0.8 kg	1.0 kg	—	—	4.1 kg
M125, 140	- 65 m	- 30 m	0.4 kg	0.8 kg	1.0 kg	1.2 kg	1.4 kg	5.0 kg

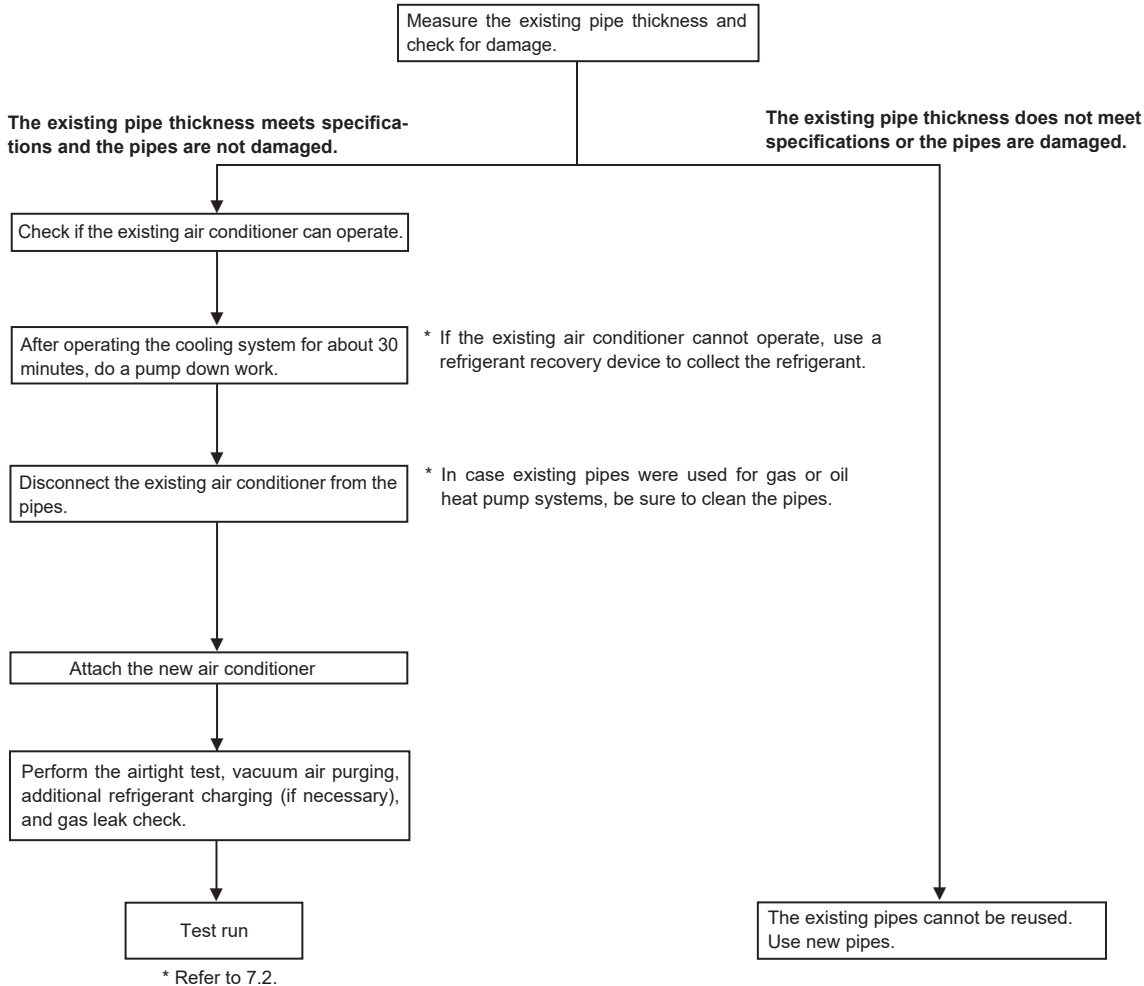
4. Installing the refrigerant piping

Refilling refrigerant charge (kg) for less than 30 m (Chargeless pipe length)

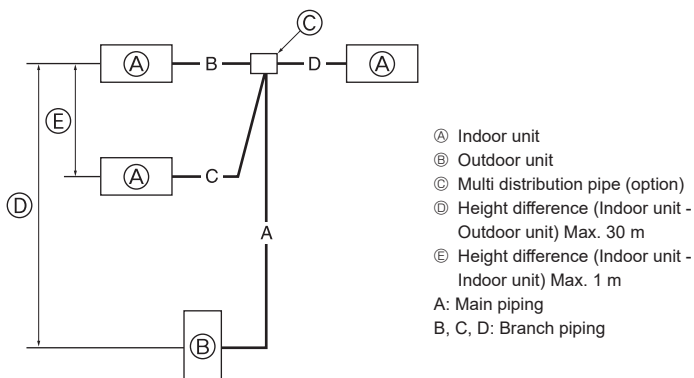
Outdoor unit	5 m and less	6 - 10 m	11 - 15 m	16 - 20 m	21 - 25 m	26 - 30 m
M100	2.0	2.2	2.4	2.6	2.8	3.1
M125, 140	2.6	2.8	3.0	3.2	3.4	3.6

4.7. Precautions when reusing existing R22 refrigerant pipes

- Refer to the flowchart below to determine if the existing pipes can be used and if it is necessary to use a filter dryer.
- If the diameter of the existing pipes is different from the specified diameter, refer to technological data materials to confirm if the pipes can be used.



<Limits of refrigerant piping installation>



M100 : $A+B+C (+D) \leq 55$ m
 M125, 140 : $A+B+C (+D) \leq 65$ m
 * "D" is for triple.

Fig. 4-8

4.8. For twin/triple combination (Fig. 4-8)

- When this unit is used as a FREE COMPO MULTI unit, install the refrigerant piping with the restrictions indicated in the drawing on the left. In addition, if the restrictions are going to be exceeded, or if there are going to be combinations of indoor and outdoor units, refer to installation instructions for the indoor unit for details about the installation.

Outdoor unit	Permissible total piping length A+B+C+D	B or C or D	Charge-less piping length A+B+C+D
M100	55 m and less	20 m and less	30 m and less
M125, 140	65 m and less	20 m and less	30 m and less

Outdoor unit	B-C or B-D or C-D	No. of bends
M100-140	8 m and less	Within 15

5. Drainage piping work

Outdoor unit drainage pipe connection

When drain piping is necessary, use the drain socket or the drain pan (option).

	M100-140
Drain socket	PAC-SG61DS-E
Drain pan	PAC-SH97DP-E

6. Electrical work

6.1. Outdoor unit (Fig. 6-1, Fig. 6-2)

- ① Remove the service panel.
- ② Wire the cables referring to the Fig. 6-1 and the Fig. 6-2.

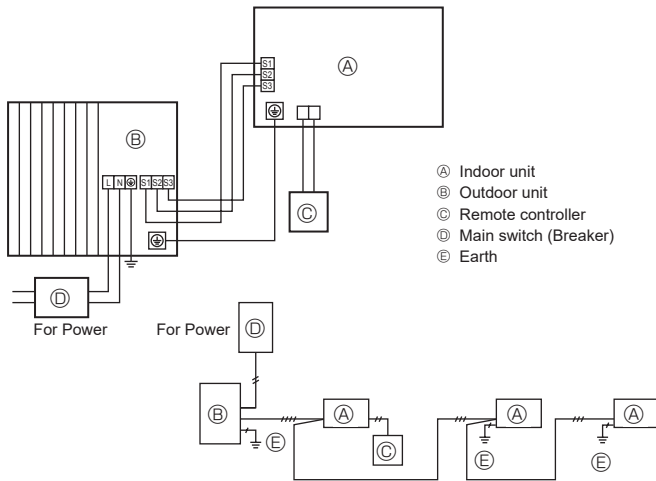


Fig. 6-1

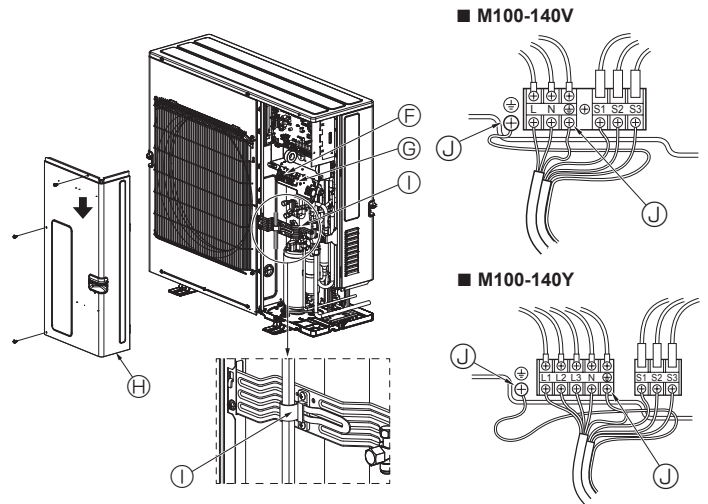


Fig. 6-2

- ⓕ Terminal block
- ⓖ Indoor/Outdoor connection terminal block (S1, S2, S3)
- ⓓ Service panel
- ⓞ Clamp
- * Clamp the cables so that they do not contact the center of the service panel or the gas valve.
- ⓙ Earth terminal

Note :
If the protective sheet for the electrical box is removed during servicing, be sure to reinstall it.

⚠ Caution:
Be sure to install N-Line. Without N-Line, it could cause damage to unit.

en

6. Electrical work

6.2. Field electrical wiring

Outdoor unit model		M100, 125V	M140V	M100, 125, 140Y
Outdoor unit power supply		~/N (single), 50 Hz, 230 V	~/N (single), 50 Hz, 230 V	3N~ (3 ph 4-wires), 50 Hz, 400 V
Outdoor unit input capacity Main switch (Breaker)		*1 32 A	40 A	16 A
Wiring Wire No. x size (mm ²)	Outdoor unit power supply	3 x Min. 6	3 x Min. 6	5 x Min. 1.5
	Indoor unit-Outdoor unit	*2 3 x 1.5 (Polar)	3 x 1.5 (Polar)	3 x 1.5 (Polar)
	Indoor unit-Outdoor unit earth	*2 1 x Min. 1.5	1 x Min. 1.5	1 x Min. 1.5
Remote controller-Indoor unit		*3 2 x 0.3 (Non-polar)	2 x 0.3 (Non-polar)	2 x 0.3 (Non-polar)
Circuit rating	Outdoor unit L-N (single)	*4 230 VAC	230 VAC	230 VAC
	Outdoor unit L1-N, L2-N, L3-N (3 phase)	*4 230 VAC	230 VAC	230 VAC
	Indoor unit-Outdoor unit S1-S2	*4 24 VDC	24 VDC	24 VDC
	Indoor unit-Outdoor unit S2-S3	*4 12 VDC	12 VDC	12 VDC

*1. A breaker with at least 3.0 mm contact separation in each poles shall be provided. Use earth leakage breaker (NV).

Make sure that the current leakage breaker is one compatible with higher harmonics.

Always use a current leakage breaker that is compatible with higher harmonics as this unit is equipped with an inverter.

The use of an inadequate breaker can cause the incorrect operation of inverter.

*2. Max. 45 m

If 2.5 mm² used, Max. 50 m

If 2.5 mm² used and S3 separated, Max. 80 m

*3. The 10 m wire is attached in the remote controller accessory.

*4. The figures are NOT always against the ground.

S3 terminal has 24 VDC against S2 terminal. However between S3 and S1, these terminals are NOT electrically insulated by the transformer or other device.



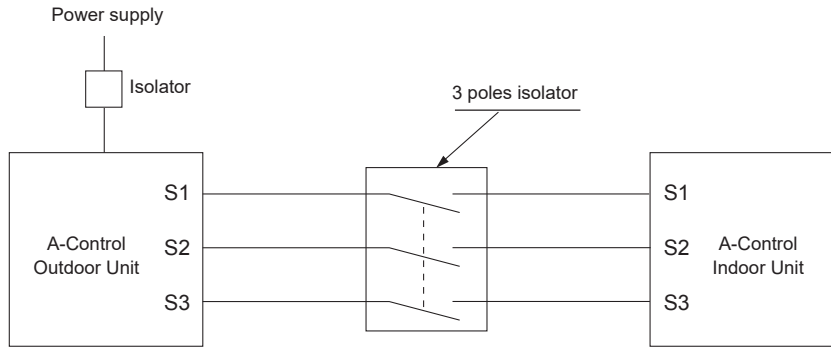
Notes: 1. Wiring size must comply with the applicable local and national code.

2. Power supply cords and Indoor/Outdoor unit connecting cords shall not be lighter than polychloroprene sheathed flexible cord. (Design 60245 IEC 57)

3. Use an earth wire which is longer than the other cords so that it will not become disconnected when tension is applied.

4. Use self-extinguishing distribution cables for power supply wiring.

5. Properly route wiring so as not to contact the sheet metal edge or a screw tip.



⚠ Warning:

- In case of A-control wiring, there is high voltage potential on the S3 terminal caused by electrical circuit design that has no electrical insulation between power line and communication signal line. Therefore, please turn off the main power supply when servicing. And do not touch the S1, S2, S3 terminals when the power is energized. If isolator should be used between indoor unit and outdoor unit, please use 3-pole type.

Never splice the power cable or the indoor-outdoor connection cable, otherwise it may result in a smoke, a fire or communication failure.

Be sure to connect the indoor-outdoor connecting cables directly to the units (no intermediate connections).

Intermediate connections can lead to communication error if water enters the cables and causes insufficient insulation to ground or a poor electrical contact at the intermediate connection point.

7. Test run

7.1. Before test run

- ▶ After completing installation and the wiring and piping of the indoor and outdoor units, check for refrigerant leakage, looseness in the power supply or control wiring, wrong polarity, and no disconnection of one phase in the supply.
- ▶ Use a 500-volt megohmmeter to check that the resistance between the power supply terminals and ground is at least 1 MΩ.
- ▶ Do not carry out this test on the control wiring (low voltage circuit) terminals.

⚠ **Warning:**

Do not use the air conditioner if the insulation resistance is less than 1 MΩ.

Insulation resistance

After installation or after the power source to the unit has been cut for an extended period, the insulation resistance will drop below 1 MΩ due to refrigerant accumulating in the compressor. This is not a malfunction. Perform the following procedures.

1. Remove the wires from the compressor and measure the insulation resistance of the compressor.
2. If the insulation resistance is below 1 MΩ, the compressor is faulty or the resistance dropped due to the accumulation of refrigerant in the compressor.
3. After connecting the wires to the compressor, the compressor will start to warm up after power is supplied. After supplying power for the times indicated below, measure the insulation resistance again.

- The insulation resistance drops due to accumulation of refrigerant in the compressor. The resistance will rise above 1 MΩ after the compressor is warmed up for 4 hours.
(The time necessary to warm up the compressor varies according to atmospheric conditions and refrigerant accumulation.)
 - To operate the compressor with refrigerant accumulated in the compressor, the compressor must be warmed up at least 12 hours to prevent breakdown.
4. If the insulation resistance rises above 1 MΩ, the compressor is not faulty.

⚠ **Caution:**

- The compressor will not operate unless the power supply phase connection is correct.
- Turn on the power at least 12 hours before starting operation.
- Starting operation immediately after turning on the main power switch can result in severe damage to internal parts. Keep the power switch turned on during the operational season.

▶ The followings must be checked as well.

- The outdoor unit is not faulty. LED1 and LED2 on the control board of the outdoor unit flash when the outdoor unit is faulty.
- Both the gas and liquid stop valves are completely open.
- A protective sheet covers the surface of the DIP switch panel on the control board of the outdoor unit. Remove the protective sheet to operate the DIP switches easily.

7.2. Test run

7.2.1. Using SW4 in outdoor unit

SW4-1	ON	Cooling operation
SW4-2	OFF	
SW4-1	ON	Heating operation
SW4-2	ON	

* After performing the test run, set SW4-1 to OFF.

- After power is supplied, a small clicking noise may be heard from the inside of the outdoor unit. The electronic expansion valve is opening and closing. The unit is not faulty.
- A few seconds after the compressor starts, a clanging noise may be heard from the inside of the outdoor unit. The noise is coming from the check valve due to the small difference in pressure in the pipes. The unit is not faulty.

The test run operation mode cannot be changed by DIP switch SW4-2 during the test run. (To change the test run operation mode during the test run, stop the test run by DIP switch SW4-1. After changing the test run operation mode, resume the test run by switch SW4-1.)

7.2.2. Using remote controller

Refer to the indoor unit installation manual.

Note :

Occasionally, vapor that is made by the defrost operation may seem as if smoke come up from the outdoor unit.

8. Special functions

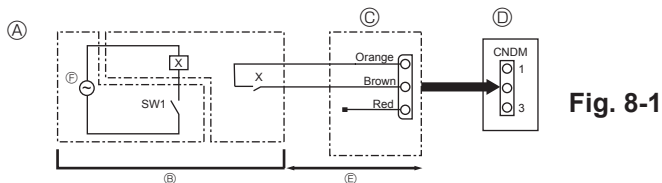


Fig. 8-1

- Ⓐ Circuit diagram example (low noise mode) Ⓓ Outdoor unit control board
 Ⓑ On-site arrangement Ⓔ Max. 10 m
 Ⓒ External input adapter (PAC-SC36NA-E) Ⓕ Power supply for relay
 X: Relay

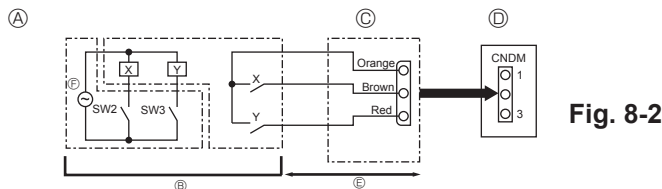


Fig. 8-2

- Ⓐ Circuit diagram example (Demand function) Ⓒ External input adapter (PAC-SC36NA-E)
 Ⓑ On-site arrangement Ⓓ Outdoor unit control board
 X, Y: Relay Ⓔ Max. 10 m
 Ⓕ Power supply for relay

8.1. Low noise mode (on-site modification) (Fig. 8-1)

By performing the following modification, operation noise of the outdoor unit can be reduced by about 3-4 dB.

The low noise mode will be activated when a commercially available timer or the contact input of an ON/OFF switch is added to the CNDM connector (option) on the control board of the outdoor unit.

- The ability varies according to the outdoor temperature and conditions, etc.
- ① Complete the circuit as shown when using the external input adapter (PAC-SC36NA-E). (Option)
 - ② SW7-1 (Outdoor unit control board): OFF
 - ③ SW1 ON: Low noise mode
SW1 OFF: Normal operation

8.2. Demand function (on-site modification) (Fig. 8-2)

By performing the following modification, energy consumption can be reduced to 0-100% of the normal consumption.

The demand function will be activated when a commercially available timer or the contact input of an ON/OFF switch is added to the CNDM connector (option) on the control board of the outdoor unit.

- ① Complete the circuit as shown when using the external input adapter (PAC-SC36NA-E). (Option)
- ② By setting SW7-1 on the control board of the outdoor unit, the energy consumption (compared to the normal consumption) can be limited as shown below.

	SW7-1	SW2	SW3	Energy consumption
Demand function	ON	OFF	OFF	100%
		ON	OFF	75%
		ON	ON	50%
		OFF	ON	0% (Stop)

8. Special functions

8.3. Refrigerant collecting (pump down)

Perform the following procedures to collect the refrigerant when moving the indoor unit or the outdoor unit.

- ① Supply power (circuit breaker).
 - * When power is supplied, make sure that "CENTRALLY CONTROLLED" is not displayed on the remote controller. If "CENTRALLY CONTROLLED" is displayed, the refrigerant collecting (pump down) cannot be completed normally.
 - * Start-up of the indoor-outdoor communication takes about 3 minutes after the power (circuit breaker) is turned on. Start the pump-down operation 3 to 4 minutes after the power (circuit breaker) is turned ON.
- ② After the liquid stop valve is closed, set the SWP switch on the control board of the outdoor unit to ON. The compressor (outdoor unit) and ventilators (indoor and outdoor units) start operating and refrigerant collecting operation begins. LED1 and LED2 on the control board of the outdoor unit are lit.
 - * Only set the SWP switch (push-button type) to ON if the unit is stopped. However, even if the unit is stopped and the SWP switch is set to ON less than 3 minutes after the compressor stops, the refrigerant collecting operation cannot be performed. Wait until compressor has been stopped for 3 minutes and then set the SWP switch to ON again.

- ③ Because the unit automatically stops in about 2 to 3 minutes when the refrigerant collecting operation is completed (LED1 off, LED2 lit), be sure to quickly close the gas stop valve. If LED1 is lit and LED2 is off and the outdoor unit is stopped, refrigerant collection is not properly performed. Open the liquid stop valve completely, and then repeat step ② after 3 minutes have passed.
 - * If the refrigerant collecting operation has been completed normally (LED1 off, LED2 lit), the unit will remain stopped until the power supply is turned off.

- ④ Turn off the power supply (circuit breaker).
 - * Note that when the extension piping is very long with large refrigerant amount, it may not be possible to perform a pump-down operation. When performing the pump-down operation, make sure that the low pressure is lowered to near 0 MPa (gauge).

⚠ Warning:

When pumping down the refrigerant, stop the compressor before disconnecting the refrigerant pipes. The compressor may burst if air etc. get into it.

9. System control (Fig. 9-1)

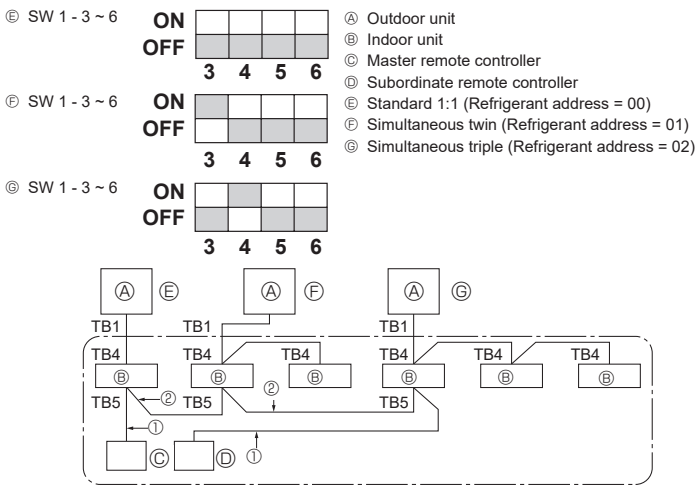


Fig. 9-1

- * Set the refrigerant address using the DIP switch of the outdoor unit.

① Wiring from the Remote Control

This wire is connected to TB5 (terminal board for remote controller) of the indoor unit (non-polar).

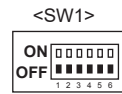
② When a Different Refrigerant System Grouping is Used.

Up to 16 refrigerant systems can be controlled as one group using the slim MA remote controller.

Note:

In single refrigerant system (twin/triple), there is no need of wiring ②.

SW1
Function table



	Function	Operation according to switch setting	
		ON	OFF
SW1 function settings	1 Compulsory defrosting	Start	Normal
	2 Error history clear	Clear	Normal
	3 Refrigerant system address setting	Settings for outdoor unit addresses 0 to 15	
	4		
	5		
	6		

Inhalt

1. Sicherheitsvorkehrungen.....	1	6. Elektroarbeiten	10
2. Aufstellort	2	7. Testlauf	12
3. Einbau der Außenanlage.....	6	8. Spezielle Funktionen	12
4. Installation der Kältemittelrohrleitung	6	9. Kontrolle des Systems (Fig. 9-1).....	13
5. Verrohrung der Dränage.....	10		



Hinweis: Dieses Symbolzeichen ist nur für EU-Länder bestimmt.

Dieses Symbol entspricht der Richtlinie 2012/19/EU Artikel 14 Informationen für Nutzer und Anhang IX.

Ihr MITSUBISHI ELECTRIC-Produkt wurde unter Einsatz von qualitativ hochwertigen Materialien und Komponenten konstruiert und gefertigt, die für Recycling geeignet sind.

Dieses Symbol bedeutet, dass elektrische und elektronische Geräte am Ende ihrer Nutzungsdauer von Hausmüll getrennt zu entsorgen sind.

Bitte entsorgen Sie dieses Gerät bei Ihrer kommunalen Sammelstelle oder im örtlichen Recycling-Zentrum.

In der Europäischen Union gibt es unterschiedliche Sammelsysteme für gebrauchte Elektrik- und Elektronikgeräte.

Bitte helfen Sie uns, die Umwelt zu erhalten, in der wir leben!

⚠ Vorsicht:

- Lassen Sie R32 nicht in die Atmosphäre ab.

1. Sicherheitsvorkehrungen

- ▶ Vor dem Einbau der Anlage vergewissern, dass Sie alle Informationen über "Sicherheitsvorkehrungen" gelesen haben.
- ▶ Vor Anschluss an das System Mitteilung an Stromversorgungsunternehmen machen oder dessen Genehmigung einholen.
- ▶ PUZ-M-Y wurde für den gewerblichen Gebrauch und leichtindustrielle Anwendungen entwickelt.
- ▶ Die Anlage entspricht der Norm IEC/EN 61000-3-12 (PUZ-M100/125/140V)

⚠ Warnung:

Beschreibt Vorkehrungen, die beachtet werden müssen, um den Benutzer vor der Gefahr von Verletzungen oder tödlichen Unfällen zu bewahren.

⚠ Vorsicht:

Beschreibt Vorkehrungen, die beachtet werden müssen, damit an der Anlage keine Schäden entstehen.

BEDEUTUNG DER SYMBOLE AM GERÄT

	WARNUNG (Brandgefahr)	Dieses Symbol gilt nur für das Kältemittel R32. Der Kältemitteltyp ist auf dem Typenschild des Außengeräts angegeben. Falls der Kältemitteltyp dieses Geräts R32 ist, ist das Kältemittel des Geräts entzündlich. Wenn Kältemittel austritt und mit Feuer oder heißen Teilen in Berührung kommt, entsteht schädliches Gas und es besteht Brandgefahr.
		Lesen Sie vor dem Betrieb sorgfältig das BEDIENUNGSHANDBUCH .
		Service-Techniker müssen vor dem Betrieb das BEDIENUNGSHANDBUCH und die INSTALLATIONSANLEITUNG sorgfältig lesen.
		Weitere Informationen sind im BEDIENUNGSHANDBUCH , in der INSTALLATIONSANLEITUNG usw. enthalten.

⚠ Warnung:

- Das Gerät darf nicht vom Benutzer installiert werden. Bitten Sie Ihren Fachhändler oder einen geprüften Fachtechniker, die Installation und Reparatur der Anlage vorzunehmen. Wenn das Gerät unsachgemäß installiert wurde, kann dies Wasseraustritt, Stromschläge oder einen Brand zur Folge haben.
- Folgen Sie bei der Installation und Umsetzung den Anweisungen der Installationsanleitung und verwenden Sie Werkzeuge und Rohrleitungskomponenten, die ausdrücklich für den Einsatz von Kältemittel R32 ausgelegt sind. Wenn Rohrleitungskomponenten verwendet werden, die nicht für das Kältemittel R32 ausgelegt sind und die Anlage falsch installiert wird, können Rohrleitungen platzen und Sachschäden oder Verletzungen verursachen. Außerdem kann dies zu Wasseraustritt, Stromschlag oder einen Brand zur Folge haben.
- Die Anlage muss entsprechend der Anweisungen installiert werden, um das Schadsensrisiko bei Erdbeben, Taifunen oder starken Winden zu minimieren. Ein falsch installiertes Gerät kann herabfallen und Sachschäden oder Verletzungen verursachen.
- Die Anlage muss sicher an einem Bauteil installiert werden, das das Gewicht der Anlage tragen kann. Wenn die Anlage an einem zu schwachen Bauteil befestigt wird, besteht die Gefahr, dass sie herabfällt und Sachschäden oder Verletzungen verursacht.
- Wenn die Klimaanlage in einem kleinen Raum installiert wird, müssen Maßnahmen ergriffen werden, damit im Fall eines Kältemittelaustritts die Kältemittelkonzentration in dem Raum den Sicherheitsgrenzwert nicht überschreitet. Wenden Sie bezüglich geeigneter Maßnahmen zur Einhaltung der zulässigen Konzentrationen an einen Fachhändler. Bei Kühlmittelaustritt und daraus resultierender Überschreitung des Grenzwerts können in dem Raum Gefahren aufgrund von Sauerstoffmangel auftreten.
- Lüften Sie den Raum, wenn bei Betrieb Kältemittel austritt. Wenn das Kältemittel mit einer Flamme in Kontakt kommt, werden giftige Gase freigesetzt.
- Alle Elektroarbeiten sind von einem qualifizierten Fachelektriker gemäß der örtlichen Vorschriften und der Anweisungen dieser Anleitung auszuführen. Die Geräte müssen über eigene Stromkreise verfügen und es müssen die richtige Betriebsspannung und die richtigen Leistungsschalter verwendet werden. Stromleitungen mit unzureichender Kapazität oder falsch ausgeführte Elektroarbeiten können Stromschläge oder Brände verursachen.
- Verwenden Sie zur Verbindung der Kältemittelrohrleitungen für nahtlose Rohre aus Kupfer und Kupferlegierungen Kupfer-Phosphor C1220. Wenn die Rohrleitungen nicht korrekt verbunden sind, ist das Gerät nicht ordnungsgemäß geerdet, was Stromschläge zur Folge haben kann.
- Dieses Gerät ist für die Verwendung durch Fachleute oder geschultes Personal in Geschäften, in der Leichtindustrie und auf Bauernhöfen oder für die kommerzielle Verwendung durch Laien geeignet.
- Verwenden Sie zur Verdrängung nur die angegebenen Kabel. Die Anschlüsse müssen fest und sicher ohne Zugbelastung auf den Klemmen vorgenommen werden. Spleißen Sie außerdem niemals die Kabel für die Verdrängung (außer es wird in diesem Dokument entsprechend angegeben). Wenn die Kabel falsch angeschlossen oder installiert sind, kann dies Überhitzung oder einen Brand zur Folge haben.
- Wenn das Netzblech beschädigt ist, muss er vom Hersteller, dem entsprechenden Kundendienstmitarbeiter oder einer ähnlich qualifizierten Person ersetzt werden, um Gefahrensituationen zu vermeiden.
- Das Gerät muss entsprechend den örtlichen Vorschriften zur Verkabelung eingebaut werden.
- Die Abdeckplatte der Klemmleiste der Außenanlage muss fest angebracht werden. Wenn die Abdeckplatte falsch montiert ist und Staub und Feuchtigkeit in die Anlage eindringen, kann dies einen Stromschlag oder Brand zur Folge haben.
- Beim Installieren oder Umsetzen oder Warten der Klimaanlage darf nur das angegebene Kältemittel (R32) zur Befüllung der Kältemittelleitungen verwendet werden. Vermischen Sie es nicht mit anderem Kältemittel und lassen Sie nicht zu, dass Luft in den Leitungen zurückbleibt. Wenn sich Luft mit dem Kältemittel vermischt, kann dies zu einem ungewöhnlich hohen Druck in der Kältemittelleitung führen und eine Explosion oder andere Gefahren verursachen. Die Verwendung eines anderen als des für das System angegebenen Kältemittels führt zu mechanischem Versagen, einer Fehlfunktion des Systems oder einer Beschädigung des Geräts. Im schlimmsten Fall kann sie ein schwerwiegendes Hindernis für die Aufrechterhaltung der Produktsicherheit darstellen.
- Verwenden Sie nur von Mitsubishi Electric zugelassenes Zubehör und lassen Sie dieses durch Ihren Fachhändler oder einen autorisierten Techniker einbauen. Wenn Zubehör falsch installiert wurde, kann dies zu Wasseraustritt, Stromschlag oder einem Brand führen.
- Verändern Sie die Anlage nicht. Wenden Sie sich für Reparaturen an Ihren Fachhändler. Wenn Änderungen oder Reparaturen falsch ausgeführt wurden, kann dies zu Wasseraustritt, Stromschlag oder einem Brand führen.
- Der Benutzer darf niemals versuchen, die Anlage zu reparieren oder an einem anderen Ort aufzustellen. Wenn das Gerät unsachgemäß installiert wurde, kann dies Wasseraustritt, Stromschläge oder einen Brand zur Folge haben. Wenn die Klimaanlage repariert oder transportiert werden muss, wenden Sie sich dazu an Ihren Fachhändler oder einen autorisierten Techniker.
- Prüfen Sie die Anlage nach Abschluss der Installation auf Kältemittelaustritt. Wenn Kältemittel in den Raum gelangt und mit der Flamme einer Heizung oder einer transportablen Kochstelle in Berührung kommt, werden giftige Gase freigesetzt.
- Verwenden Sie keine anderen als vom Hersteller empfohlenen Mittel, um das Abtauen zu beschleunigen oder das Gerät zu reinigen.
- Das Gerät muss in einem Raum ohne kontinuierlich betriebene Zündquellen (zum Beispiel: offenes Feuer, ein in Betrieb befindliches Gasgerät oder eine in Betrieb befindliche Elektroheizung) aufbewahrt werden.
- Nicht durchstechen oder verbrennen.
- Bedenken Sie, dass Kältemittel geruchslos sein können.
- Rohrleitungen müssen vor physischen Beschädigungen geschützt werden.
- Die Installation von Rohrleitungen muss auf ein Mindestmaß beschränkt werden.
- Die Einhaltung nationaler Gasverordnungen muss sichergestellt werden.
- Halten Sie alle erforderlichen Lüftungsöffnungen stets frei.
- Verwenden Sie beim Lötten der Kältemittelleitungen keine Niedrigtemperatur-Lötlegierung.
- Bei Lötarbeiten muss der Raum ausreichend belüftet werden.
- Achten Sie darauf, dass sich keine gefährlichen oder entzündlichen Materialien in der Nähe befinden.
- Vergewissern Sie sich vor dem Arbeiten in einem geschlossenen oder kleinen Raum oder an ähnlichen Örtlichkeiten, dass nirgendwo Kältemittel austritt. Austretendes Kältemittel, das sich ansammelt, kann sich entzünden oder giftige Gase freisetzen.
- Das Gerät muss in einem gut belüfteten Bereich aufbewahrt werden, dessen Raumgröße der für den Betrieb vorgegebenen Raumfläche entspricht.
- Halten Sie Gasbrenner, elektrische Heizungen und andere Feuerquellen (Zündquellen) von dem Ort fern, an dem Installations-, Reparatur- oder sonstige Arbeiten an der Klimaanlage durchgeführt werden.
- Wenn das Kältemittel mit einer Flamme in Kontakt kommt, werden giftige Gase freigesetzt.
- Während der Arbeiten und des Transports nicht rauchen.

de

1. Sicherheitsvorkehrungen

1.1. Vor der Installation

⚠ Vorsicht:

- Setzen Sie die Anlage nicht in unüblichem Umfeld ein. Wenn die Klimaanlage in Bereichen installiert ist, in denen sie Rauch, austretendem Öl (einschließlich Maschinenöl) oder Schwefeldämpfen ausgesetzt ist, oder in Gegenden mit hohem Salzgehalt, etwa am Meer, oder in Bereichen, in denen die Anlage mit Schnee bedeckt wird, kann dies erhebliche Leistungsbeeinträchtigungen und Schäden an den Geräteteilen im Inneren der Anlage zur Folge haben.
- Installieren Sie die Anlage nicht in Bereichen, in denen entzündliche Gase austreten, hergestellt werden, ausströmen oder sich ansammeln können. Wenn sich entzündliche Gase im Bereich der Anlage ansammeln, kann dies zu einem Brand oder einer Explosion führen.

- Während des Heizens entsteht an der Außenanlage Kondenswasser. Sorgen Sie für eine Wasserableitung rund um die Außenanlage, wenn Kondenswasser Schäden verursachen kann.
- Bei der Installation der Anlage in Krankenhäusern oder Kommunikationseinrichtungen müssen Sie mit Lärmbelastung und elektronischen Störungen rechnen. Inverter, Haushaltsgeräte, medizinische Hochfrequenzapparate und Telekommunikationseinrichtungen können Fehlfunktionen oder den Ausfall der Klimaanlage verursachen. Die Klimaanlage kann auch medizinische Geräte in Mitleidenschaft ziehen, die medizinische Versorgung und Kommunikationseinrichtungen durch Beeinträchtigung der Bildschirmdarstellung stören.

1.2. Vor der Installation (Transport)

⚠ Vorsicht:

- Beim Transportieren oder Einbauen der Anlagen besondere Sorgfalt walten lassen. Zum Transport der Anlage sind mindestens zwei Personen nötig, da die Anlage 20 kg oder mehr wiegt. Tragen Sie die Anlage nicht an den Verpackungsbändern. Beim Entnehmen der Anlage aus der Verpackung und beim Aufstellen Schutzhandschuhe tragen, um Verletzungen durch Rippen oder scharfe Kanten anderer Teile zu vermeiden.
- Sorgen Sie für eine ordnungsgemäße Entsorgung der Verpackungsmaterialien. Verpackungsmaterialien wie Nägel sowie andere metallene oder hölzerne Teile können Verletzungen verursachen.

- Die Bodenplatte und die Befestigungsteile der Außenanlage müssen regelmäßig auf Festigkeit, Risse und andere Schäden geprüft werden. Wenn solche Schäden nicht behoben werden, kann die Anlage herabfallen und dabei Verletzungen oder Sachschäden verursachen.
- Die Klimaanlage darf nicht mit Wasser gereinigt werden. Dadurch besteht die Gefahr eines Stromschlags.
- Alle Konusmuttern müssen mit einem Drehmomentschlüssel entsprechend den technischen Anweisungen angezogen werden. Wenn die Mutter zu fest angezogen werden, besteht die Gefahr, dass die Konusmutter nach einer gewissen Zeit bricht und Kältemittel austritt.

1.3. Vor den Elektroarbeiten

⚠ Vorsicht:

- Installieren Sie auf jeden Fall Leistungsschalter. Andernfalls besteht die Gefahr von Stromschlägen.
- Verwenden Sie für die Netzleitungen handelsübliche Kabel mit ausreichender Kapazität. Andernfalls besteht die Gefahr von Kurzschlüssen, Überhitzung oder eines Brandes.
- Achten Sie bei der Installation der Netzleitungen darauf, dass keine Zugspannung für die Kabel entsteht. Wenn sich die Anschlüsse lösen, besteht die Gefahr, dass die Kabel aus den Klemmen rutschen oder brechen; dies kann Überhitzung oder einen Brand verursachen.

- Die Anlage muss geerdet werden. Schließen Sie die Erdungsleitung nicht an Gas- oder Wasserleitungen, Blitzableitern oder Telefonerdungsleitungen an. Wenn die Anlage nicht ordnungsgemäß geerdet ist, besteht die Gefahr von Stromschlägen.
- Verwenden Sie Leistungsschalter (Erdschlussunterbrecher, Trennschalter (+B-Sicherung) und gussgekapselte Leistungsschalter) mit der angegebenen Kapazität. Wenn die Leistungsschalterkapazität größer ist als vorgeschrieben, kann dies einen Ausfall der Klimaanlage oder einen Brand zur Folge haben.

1.4. Vor dem Testlauf

⚠ Vorsicht:

- Schalten Sie den Netzschalter mehr als 12 Stunden vor Betriebsbeginn ein. Ein Betriebsbeginn unmittelbar nach Einschalten des Netzschalters kann zu schwerwiegenden Schäden der Innenteile führen. Lassen Sie während der Betriebsperiode den Netzschalter eingeschaltet.
- Prüfen Sie vor Betriebsbeginn, ob alle Platten, Sicherungen und weitere Schutzvorrichtungen ordnungsgemäß installiert sind. Rotierende, heiße oder unter Hochspannung stehende Bauteile können Verletzungen verursachen.
- Berühren Sie Schalter nicht mit nassen Händen. Dadurch besteht die Gefahr eines Stromschlags.

- Berühren Sie die Kältemittelrohre während des Betriebs nicht mit bloßen Händen. Die Kältemittelrohrleitungen sind je nach Zustand des durchfließenden Kältemittels heiß oder kalt. Beim Berühren der Rohre besteht die Gefahr von Verbrennungen oder Erfrierungen.
- Nach Beendigung des Betriebs müssen mindestens fünf Minuten verstreichen, ehe der Hauptschalter ausgeschaltet wird. Andernfalls besteht die Gefahr von Wasseraustritt oder Ausfall der Anlage.

1.5. Einsatz von Klimaanlage mit dem Kältemittel R32

⚠ Vorsicht:

- Verwenden Sie zur Verbindung der Kältemittelrohrleitungen für nahtlose Rohre aus Kupfer und Kupferlegierungen Kupfer-Phosphor C1220. Vergewissern Sie sich, dass die Rohre von innen sauber sind und keine schädlichen Verunreinigungen wie Schwefelverbindungen, Oxidationsmittel, Fremdkörper oder Staub enthalten. Verwenden Sie Rohre mit der vorgeschriebenen Stärke. (Siehe 4.1.) Beachten Sie die folgenden Hinweise, wenn Sie vorhandene Rohre wiederverwenden, mit denen das Kältemittel R22 transportiert wurde.
 - Ersetzen Sie die vorhandenen Konusmuttern, und weiten Sie die zur Aufweitung bestimmten Bereiche erneut auf.
 - Verwenden Sie keine dünnen Rohre. (Siehe 4.1.)
- Lagern Sie die für die Installation benötigten Rohre in einem geschlossenen Raum, und lassen Sie beide Enden der Rohre bis unmittelbar vor dem Hartlöten abgedichtet. (Belassen Sie Winkelstücke usw. in ihren Verpackungen.) Wenn Staub, Fremdkörper oder Feuchtigkeit in die Kältemittelleitungen eindringen, besteht die Gefahr, dass sich das Öl zersetzt oder der Kompressor ausfällt.
- Tragen Sie eine kleine Menge Esteröl/Etheröl oder Alkylbenzol als Kältemittelöl auf die Konusanschlüsse auf. Wenn das Kältemittelöl mit Mineralöl gemischt wird, besteht die Gefahr, dass sich das Öl zersetzt.

- Wartungsarbeiten dürfen nur wie vom Hersteller empfohlen durchgeführt werden.
- Verwenden Sie kein anderes Kältemittel als das Kältemittel R32.
- Verwenden Sie die folgenden Werkzeuge, die speziell für die Verwendung mit Kältemittel R32 ausgelegt sind. Die folgenden Werkzeuge sind für die Verwendung des Kältemittels R32 erforderlich. Wenden Sie sich bei weiteren Fragen an Ihren Fachhändler.

Werkzeuge (für R32)	
Kaliber des Rohrverteilers	Aufweitungswerkzeug
Füllschlauch	Lehre für die Größenanpassung
Gasleckdetektor	Netzteil der Vakuumpumpe
Drehmomentschlüssel	Elektronische Kältemittelfüllstandsanzeige

- Verwenden Sie unbedingt die richtigen Werkzeuge. Wenn Staub, Fremdkörper oder Feuchtigkeit in die Kältemittelleitungen eindringen, besteht die Gefahr, dass sich das Kältemittelöl zersetzt.

2. Aufstellort

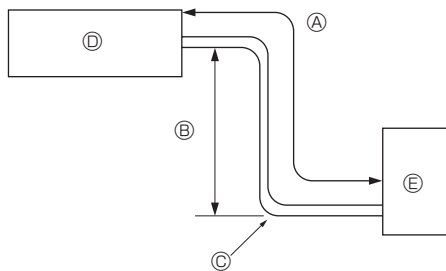


Fig. 2-1

2.1. Rohrleitung für Kältemittel (Fig. 2-1)

- ▶ Vergewissern, dass der Höhenunterschied zwischen Innen- und Außenanlage, die Länge der Kältemittelrohrleitung und die Anzahl der Krümmer in der Rohrleitung innerhalb der Grenzwerte der nachstehenden Tabelle liegen.

Modelle	Ⓐ Länge Rohrleitung (eine Richtung)	Ⓑ Höhenunterschied	Ⓒ Zahl der Krümmer (eine Richtung)
M100	Max. 55 m	Max. 30 m	Max. 15
M125/140	Max. 65 m	Max. 30 m	Max. 15

- Die Begrenzung der Höhenunterschiede ist verbindlich, gleichgültig welche Anlage, Innen- oder Außenanlage, sich in der höheren Position befindet.

- Ⓐ Innenanlage
- Ⓑ Außenanlage

2. Aufstellort

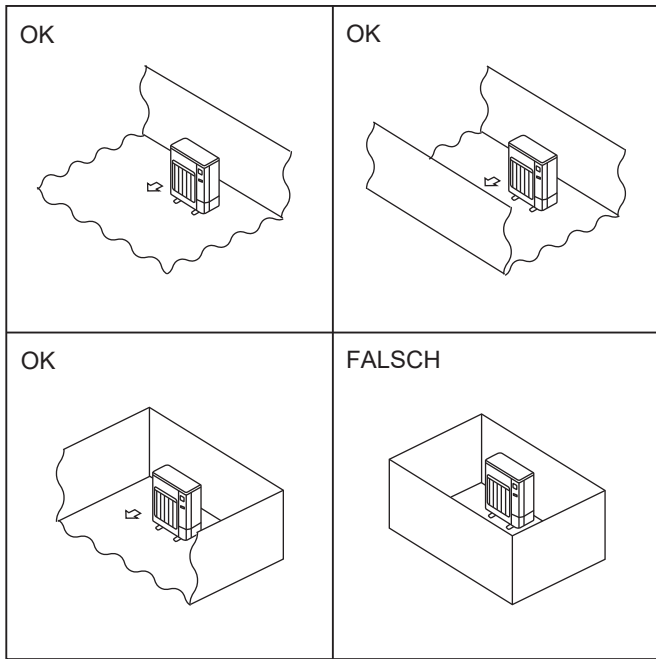


Fig. 2-2

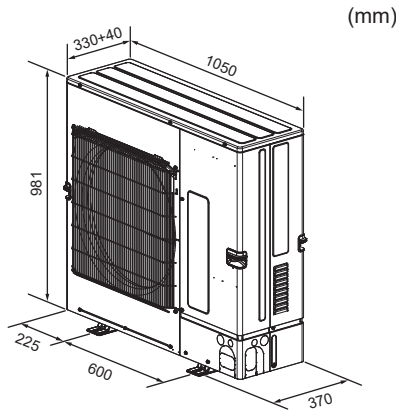


Fig. 2-3

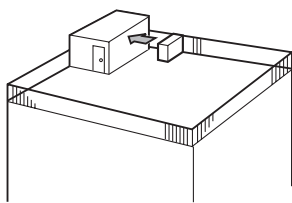


Fig. 2-4

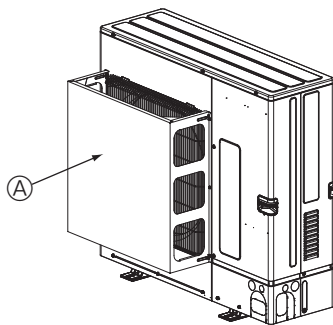


Fig. 2-5

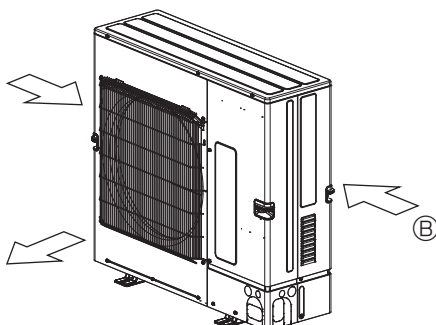


Fig. 2-6

2.2. Auswahl des Aufstellorts für die Außenanlage

○R32 ist schwerer als Luft (und andere Kältemittel) und sammelt sich daher eher an der Basis (in Bodennähe). Wenn sich R32 an der Basis sammelt, kann es in einem kleinen Raum eine entflammbare Konzentration erreichen. Um eine Entzündung zu vermeiden, muss durch ausreichende Belüftung für einen sicheren Arbeitsbereich gesorgt werden. Wird in einem Raum oder Bereich mit unzureichender Belüftung ein Kältemittelaustritt festgestellt, dürfen keine Flammen benutzt werden, bis eine ausreichende Belüftung des Arbeitsbereichs sichergestellt wurde.

- Vermeiden Sie Aufstellorte, die direkter Sonneneinstrahlung oder anderen Hitzequellen ausgesetzt sind.
 - Wählen Sie den Aufstellort so, dass von der Anlage ausgehende Geräusche die Nachbarschaft nicht stören.
 - Wählen Sie den Aufstellort so, dass der Netzanschluss und die Verlegung der Rohre zur Innenanlage einfach zu bewerkstelligen sind.
 - Vermeiden Sie Aufstellorte, an denen entzündliche Gase austreten, hergestellt werden, ausströmen oder sich ansammeln.
 - Beachten Sie, dass bei Betrieb der Anlage Wasser heruntertropfen kann.
 - Wählen Sie einen waagerechten Aufstellort, der dem Gewicht und den Schwingungen der Anlage gewachsen ist.
 - Vermeiden Sie Aufstellorte, an denen die Anlage mit Schnee bedeckt werden kann. In Gegenden, in denen mit schwerem Schnellfall zu rechnen ist, müssen spezielle Vorkehrungen getroffen werden, wie die Wahl eines höheren Aufstellorts oder die Montage einer Abdeckhaube vor der Öffnung für die Luftansaugung, um zu vermeiden, dass Schnee die Luftansaugung blockiert oder direkt hineingeblasen wird. Dadurch kann der Luftstrom vermindert und so Fehlfunktionen verursacht werden.
 - Vermeiden Sie Aufstellorte, die Öl, Dampf oder Schwefelgas ausgesetzt sind.
 - Benutzen Sie zum Transport der Außenanlage die vier Tragegriffe. Wenn die Anlage an der Unterseite getragen wird, besteht die Gefahr, dass Hände oder Finger gequetscht werden.
 - Die Anschlüsse der Kältemittelleitungen müssen zu Wartungszwecken zugänglich sein.
- Installieren Sie Außenanlagen an einem Ort, an dem wenigstens eine der vier Seiten offen ist, und in einem ausreichend großen Raum ohne Senken. (Fig. 2-2)

2.3. Außenmaße (Außenanlage) (Fig. 2-3)

2.4. Freiraum für Belüftung und Bedienung

2.4.1. Aufstellung an windanfälligen Aufstellorten

Bei Anbringung der Außenanlage auf dem Dach oder einem anderen, nicht vor Wind geschützten Ort, richten Sie die Luftaustrittsöffnung so aus, dass sie nicht unmittelbar starkem Wind ausgesetzt ist. Wird starker Wind direkt in die Luftaustrittsöffnung bläst, kann dadurch der normale Luftstrom beeinträchtigt werden und so Fehlfunktionen entstehen. Im Folgenden zeigen drei Beispiele Vorkehrungen gegen starken Windeinfluss.

- ① Richten Sie die Luftaustrittsöffnung mit einem Abstand von etwa 500 mm auf die nächstgelegene Wand aus. (Fig. 2-4)
- ② Installieren Sie eine als Sonderzubehör erhältliche Luftauslassführung, wenn die Anlage an einem Aufstellort installiert ist, an dem die Gefahr besteht, dass starker Wind direkt in die Luftaustrittsöffnung bläst. (Fig. 2-5)
 - Ⓐ Luftauslassführung
- ③ Bringen Sie die Anlage so an, dass die Abluft aus der Luftaustrittsöffnung im rechten Winkel zu derjenigen Richtung geführt wird, aus der saisonal bedingt starker Wind bläst. (Fig. 2-6)
 - Ⓑ Windrichtung

2.4.2. Installation einer einzelnen Außenanlage (Siehe letzte Seite)

Die folgenden Mindestabmessungen gelten, außer für Max., was für Maximalabmessungen steht, wie angezeigt.

In jedem Einzelfall die jeweiligen Zahlenangaben beachten.

- ① Hindernisse nur auf der Rückseite (Fig. 2-7)
- ② Hindernisse nur auf der Rück- und Oberseite (Fig. 2-8)
- ③ Hindernisse nur auf der Rückseite und auf beiden Seiten (Fig. 2-9)
- ④ Hindernisse nur auf der Vorderseite (Fig. 2-10)
 - * Bei Verwendung einer als Sonderzubehör erhältlichen Luftauslassführung beträgt der Freiraum mindestens 500 mm.
- ⑤ Hindernisse nur auf der Vorder- und Rückseite (Fig. 2-11)
 - * Bei Verwendung einer als Sonderzubehör erhältlichen Luftauslassführung beträgt der Freiraum mindestens 500 mm.
- ⑥ Hindernisse nur auf der Rückseite, beiden Seiten und der Oberseite (Fig. 2-12)
 - Setzen Sie keine als Sonderzubehör erhältlichen Luftauslassführungen dazu ein, den Luftstrom nach oben umzuleiten.

2.4.3. Installation mehrerer Außenanlagen (Siehe letzte Seite)

Für M100-140 mindestens 50 mm Freiraum zwischen den Geräten lassen.

- ① Hindernisse nur auf der Rückseite (Fig. 2-13)
- ② Hindernisse nur auf der Rück- und Oberseite (Fig. 2-14)
 - Es dürfen nicht mehr als drei Anlagen nebeneinander installiert werden. Lassen Sie zusätzlich einen Freiraum wie dargestellt.
- ③ Hindernisse nur auf der Vorderseite (Fig. 2-15)
 - * Bei Verwendung einer als Sonderzubehör erhältlichen Luftauslassführung muss der Freiraum für die Modelle M100-140 mindestens 1000 mm betragen.
- ④ Hindernisse nur auf der Vorder- und Rückseite (Fig. 2-16)
 - * Bei Verwendung einer als Sonderzubehör erhältlichen Luftauslassführung muss der Freiraum für die Modelle M100-140 mindestens 1000 mm betragen.
- ⑤ Einzelanlagen in paralleler Anordnung (Fig. 2-17)
 - * Bei Verwendung einer als Sonderzubehör erhältlichen Luftauslassführung zur Umleitung des Luftstroms nach oben muss der Freiraum mindestens 1000 mm betragen.
- ⑥ Mehrfachanlagen in paralleler Anordnung (Fig. 2-18)
 - * Bei Verwendung einer als Sonderzubehör erhältlichen Luftauslassführung zur Umleitung des Luftstroms nach oben muss der Freiraum mindestens 1500 mm betragen.
- ⑦ Anlagen in gestapelter Anordnung (Fig. 2-19)
 - Es können maximal zwei Anlagen übereinander gestapelt werden.
 - Es dürfen nicht mehr als zwei Anlagenstapel nebeneinander installiert werden. Lassen Sie zusätzlich einen Freiraum wie dargestellt.

2. Aufstellort

©2.5. Mindestinstallationsfläche

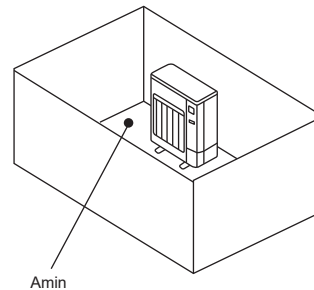
Wenn Sie das Gerät in einem Raum installieren müssen, an dem alle vier Seiten blockiert sind oder Senken vorhanden sind, vergewissern Sie sich, dass eine der folgenden Bedingungen (A, B oder C) erfüllt ist.

Hinweis: Diese Maßnahmen dienen zur Gewährleistung der Sicherheit, die Leistung könnte jedoch beeinträchtigt werden.

A) Ausreichend Installationsraum (Mindestinstallationsfläche A_{min}).

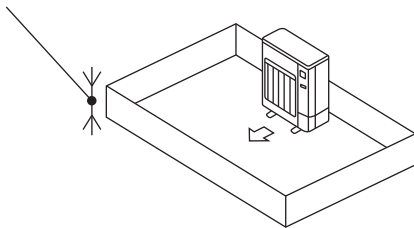
In einem Raum mit einer Installationsfläche von A_{min} oder mehr aufstellen, was einer Kältemittelmenge M entspricht (werkseitig eingefülltes Kältemittel + vor Ort hinzugefügte Kältemittel).

M [kg]	A_{min} [m ²]
1,0	12
1,5	17
2,0	23
2,5	28
3,0	34
3,5	39
4,0	45
4,5	50
5,0	56
5,5	62
6,0	67
6,5	73
7,0	78
7,5	84

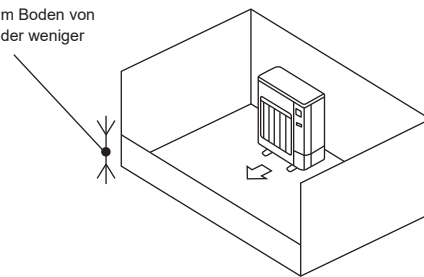


B) In einem Raum mit einer Absenkung von $\leq 0,125$ [m] installieren.

Abstand vom Boden von
0,125 [m] oder weniger



Abstand vom Boden von
0,125 [m] oder weniger

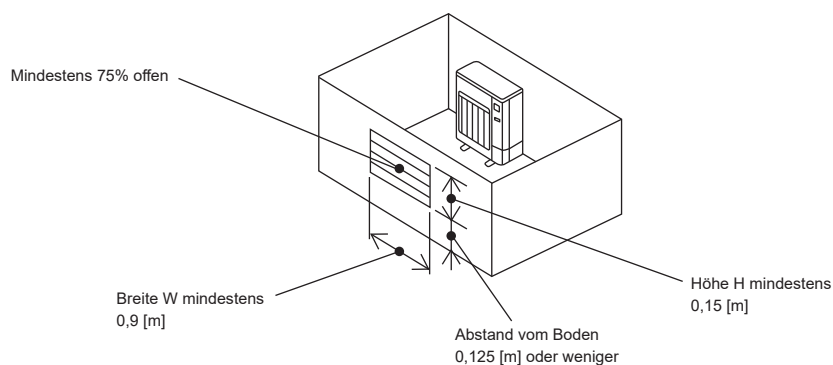


C) Für eine ausreichend große Belüftungsöffnung sorgen.

Achten Sie darauf, dass die Öffnung mindestens 0,9 [m] breit und 0,15 [m] hoch ist.

Der Abstand vom Boden des Installationsraums bis zur Unterkante der Öffnung darf jedoch höchstens 0,125 [m] betragen.

Die Öffnung sollte zu mindestens 75% offen sein.



2. Aufstellort

■ Innenanlagen

In einem Raum mit einer Bodenfläche von A_{min} oder mehr aufstellen, was einer Kältemittelmenge M entspricht (werkseitig eingefülltes Kältemittel + vor Ort hinzugefügte Kältemittel).

* Die werkseitig eingefüllte Kältemittelmenge finden Sie auf dem Typenschild oder in der Installationsanleitung.

Die vor Ort hinzuzufügende Menge finden Sie in der Installationsanleitung.

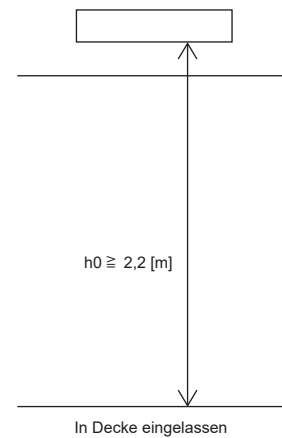
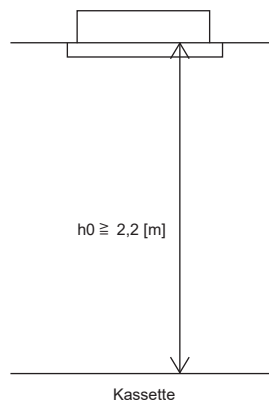
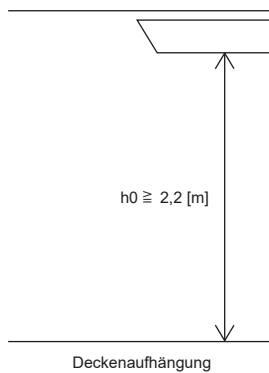
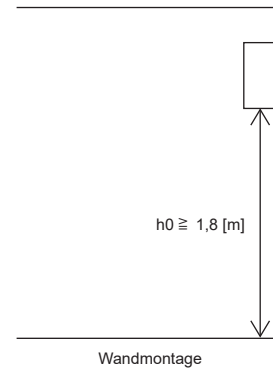
Installieren Sie die Innenanlage so, dass der Abstand zwischen Boden und Unterseite der Innenanlage h_0 beträgt;

bei Wandmontage: 1,8 m oder mehr;

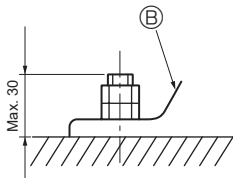
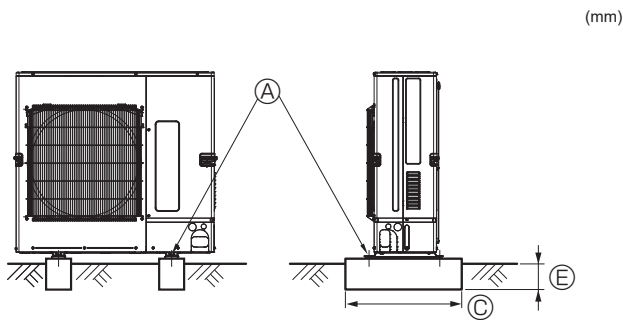
bei Deckenaufhängung, Kassette oder eingelassen in die Decke: 2,2 m oder mehr.

* Für die Installationshöhe jedes Modells gelten Einschränkungen; lesen Sie daher die Installationsanleitung des jeweiligen Geräts.

M [kg]	A_{min} [m ²]
1,0	4
1,5	6
2,0	8
2,5	10
3,0	12
3,5	14
4,0	16
4,5	20
5,0	24
5,5	29
6,0	35
6,5	41
7,0	47
7,5	54



3. Einbau der Außenanlage



- Ⓐ M10 (3/8") Schraube
- Ⓑ Bodenplatte
- Ⓒ So lang wie möglich.
- Ⓓ Entlüftungsöffnung
- Ⓔ Tief in den Grund einsetzen

(mm)

- Die Anlage immer auf fester, ebener Oberfläche aufstellen, um Rattergeräusche beim Betrieb zu vermeiden. (Fig. 3-1)

<Spezifikationen des Fundaments>

Fundamentschraube	M10 (3/8")
Betondicke	120 mm
Schraubenlänge	70 mm
Tragfähigkeit	320 kg

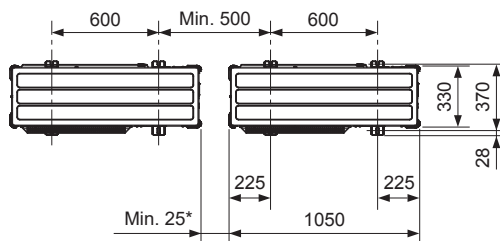
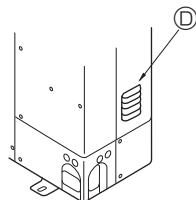
- Vergewissern, dass die Länge der Fundamentankerschraube innerhalb von 30 mm von der Unterseite der Bodenplatte liegt.
- Die Bodenplatte der Anlage mit 4 M10 Fundamentankerbolzen an tragfähigen Stellen sichern.

Installation der Außenanlage

- Die Entlüftungsöffnung darf nicht blockiert werden. Wenn die Entlüftungsöffnung blockiert ist, wird der Betrieb behindert, und es besteht die Gefahr des Ausfalls der Anlage.
- Verwenden Sie bei der Installation der Anlage zusätzlich zur Anlagenbodenplatte bei Bedarf die Installationsöffnungen auf der Rückseite der Anlage zum Befestigen von Elektroleitungen usw. Verwenden Sie zum Installieren vor Ort Blechschraben (ø5 × 15 mm oder weniger).

⚠ Warnung:

- Die Anlage muss sicher an einem Bauteil installiert werden, das das Gewicht der Anlage tragen kann. Wenn die Anlage an einem zu schwachen Bauteil befestigt wird, besteht die Gefahr, dass sie herabfällt und Sachschäden oder Verletzungen verursacht.
- Die Anlage muss entsprechend der Anweisungen installiert werden, um das Schadensrisiko bei Erdbeben, Taifunen oder starken Winden zu minimieren. Ein falsch installiertes Gerät kann herabfallen und Sachschäden oder Verletzungen verursachen.



* Bei Installation einer einzelnen Außenanlage beträgt der Freiraum mindestens 15 mm.

Fig. 3-1

4. Installation der Kältemittelrohrleitung

4.1. Vorsichtsmaßnahmen bei Geräten, in denen das Kältemittel R32 verwendet wird

- Nachstehend nicht aufgeführte Vorsichtsmaßnahmen für die Verwendung von Klimaanlage mit dem Kältemittel R32 finden Sie in 1.5.
- Tragen Sie eine kleine Menge Esteröl/Etheröl oder Alkylbenzol als Kältemittelöl auf die Konusanschlüsse auf.
- Verwenden Sie zur Verbindung der Kältemittelrohrleitungen für nahtlose Rohre aus Kupfer und Kupferlegierungen Kupfer-Phosphor C1220. Verwenden Sie Kältemittelrohre mit Stärken wie in der folgenden Tabelle angegeben. Vergewissern Sie sich, dass die Rohre von innen sauber sind und keine schädlichen Verunreinigungen wie Schwefelverbindungen, Oxidationsmittel, Fremdkörper oder Staub enthalten. Verwenden Sie zum Hartlöten der Rohrleitungen ausschließlich nichtoxidierendes Hartlot, anderenfalls wird der Kompressor beschädigt.

⚠ Warnung:

Beim Installieren oder Umsetzen oder Warten der Klimaanlage darf nur das angegebene Kältemittel (R32) zur Befüllung der Kältemittelleitungen verwendet werden. Vermischen Sie es nicht mit anderem Kältemittel und lassen Sie nicht zu, dass Luft in den Leitungen zurückbleibt.

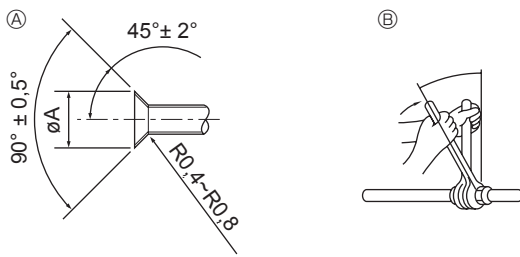
Wenn sich Luft mit dem Kältemittel vermischt, kann dies zu einem ungewöhnlich hohen Druck in der Kältemittelleitung führen und eine Explosion oder andere Gefahren verursachen.

Die Verwendung eines anderen als des für das System angegebenen Kältemittels führt zu mechanischem Versagen, einer Fehlfunktion des Systems oder einer Beschädigung des Geräts. Im schlimmsten Fall kann sie ein schwerwiegendes Hindernis für die Aufrechterhaltung der Produktsicherheit darstellen.

Rohrgröße (mm)	ø6,35	ø9,52	ø12,7	ø15,88	ø19,05	ø22,2	ø25,4	ø28,58
Stärke (mm)	0,8	0,8	0,8	1,0	1,0	1,0	1,0	1,0

- Verwenden Sie keine dünneren Rohre als oben angegeben.
- Verwenden Sie 1/2 H- oder H-Rohre, wenn der Durchmesser 19,05 mm oder mehr beträgt.
- Sorgen Sie für ausreichende Belüftung, um ein Entzünden zu verhindern. Führen Sie außerdem Brandschutzmaßnahmen aus, derart, dass sich keine gefährlichen oder entflammenden Objekte in der Umgebung befinden.

4. Installation der Kältemittelrohrleitung



- Ⓐ Abmessungen der Aufweitungsschnitte
Ⓑ Anzugsdrehmoment für die Konusmutter

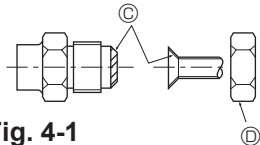


Fig. 4-1

Ⓐ (Fig. 4-1)

Kupferrohr Außendurchmesser (mm)	Aufweitungsabmessungen ϕA Abmessungen (mm)
$\phi 6,35$	8,7 - 9,1
$\phi 9,52$	12,8 - 13,2
$\phi 12,7$	16,2 - 16,6
$\phi 15,88$	19,3 - 19,7
$\phi 19,05$	23,6 - 24,0

Ⓑ (Fig. 4-1)

Kupferrohr Außendurchmesser (mm)	Konusmutter Außendurchmesser (mm)	Anzugsdrehmoment (N·m)
$\phi 6,35$	17	14 - 18
$\phi 6,35$	22	34 - 42
$\phi 9,52$	22	34 - 42
$\phi 12,7$	26	49 - 61
$\phi 12,7$	29	68 - 82
$\phi 15,88$	29	68 - 82
$\phi 15,88$	36	100 - 120
$\phi 19,05$	36	100 - 120

4.2. Rohranschlüsse (Fig. 4-1)

- Wenn im Handel erhältliche Kupferrohre verwendet werden, Flüssigkeits- und Gasrohre mit im Handel erhältlichem Isoliermaterial (Hitzebeständig bis 100°C und mehr, Stärke 12 mm oder mehr) umwickeln.
- Die in der Anlage befindlichen Teile der Ablassrohre sollten mit Isoliermaterial aus Schaumstoff (spezifisches Gewicht 0,03, Dicke 9 mm oder stärker) umwickelt werden.
- Vor dem Anziehen der Konusmutter eine dünne Schicht Kältemittel-Öl auf das Rohr und auf die Oberfläche des Sitzes an der Nahtstelle auftragen. Ⓐ
- Mit zwei Schraubenschlüsseln die Rohrleitungsanschlüsse fest anziehen. Ⓑ
- Nach Vornahme der Anschlüsse diese mit einem Leckdetektor oder Seifenlauge auf Gasaustritt untersuchen.
- Tragen Sie Kältemaschinenöl auf die gesamte Konusauflagefläche auf. Ⓒ
- Die Konusmutter für die nachstehende Rohrgröße verwenden. Ⓓ

Gasseite	Rohrgröße (mm)	$\phi 15,88$
Flüssigkeitsseite	Rohrgröße (mm)	$\phi 9,52$

- Achten Sie beim Biegen der Rohre sorgfältig darauf, sie nicht zu zerbrechen. Biegungsradien von 100 mm bis 150 mm sind ausreichend.
- Achten Sie darauf, dass die Rohre keinen Kontakt mit dem Kompressor haben. Andernfalls könnten unnormale Geräusche oder Schwingungen auftreten.
- ① Die Rohre müssen ausgehend von der Innenanlage miteinander verbunden werden. Die Konusmutter müssen mit einem Drehmomentschlüssel festgezogen werden.
- ② Weiten Sie die Flüssigkeits- und Gasrohre auf, und tragen Sie etwas Kältemittelöl auf (Vor Ort aufzutragen).
- Wenn normale Rohrdichtungen verwendet werden, beachten Sie Tabelle 1 zum Aufweiten von Rohren für Kältemittel R32. Die Abmessungen A können mit einem Messgerät zur Größenanpassung überprüft werden.

Tabelle 1 (Fig. 4-2)

Kupferrohr Außendurchmesser (mm)	A (mm)	
	Aufweitungswerkzeug für R32	Aufweitungswerkzeug für R22-R407C
	Kupplungsbauweise	
$\phi 6,35$ (1/4")	0 - 0,5	1,0 - 1,5
$\phi 9,52$ (3/8")	0 - 0,5	1,0 - 1,5
$\phi 12,7$ (1/2")	0 - 0,5	1,0 - 1,5
$\phi 15,88$ (5/8")	0 - 0,5	1,0 - 1,5
$\phi 19,05$ (3/4")	0 - 0,5	1,0 - 1,5

4.3. Kältemittelrohrleitung (Fig. 4-3)

Das Wartungspult Ⓓ (3 Schrauben) und die vordere Leitungsabdeckung Ⓐ (2 Schrauben) sowie die rückwärtige Leitungsabdeckung Ⓑ (5 Schrauben) abnehmen.

- ① Die Verbindungen der Kältemittelrohrleitungen für die Innen-/Außenanlage ausführen, wenn das Absperrventil der Außenanlage vollständig geschlossen ist.
- ② Luftreinigung unter Vakuum vom Innenaggregat und dem Rohrleitungsanschluss aus.
- ③ Kontrollieren Sie nach dem Anschließen der Kältemittelrohrleitungen die angeschlossenen Rohre und die Innenanlage auf Gasaustritt. (Siehe 4.4. Verfahren zum Prüfen der Rohre auf Dichtigkeit.)
- ④ Eine Hochleistungs-Vakuumpumpe wird an der Wartungseinheit des Sperrventils verwendet, um ein Vakuum für eine geeignete Zeit (mindestens eine Stunde zu erzeugen, nachdem -101 kPa (5 Torr)) erreicht sind, um das Rohrinne vakuumzutrocknen. Prüfen Sie immer die Stärke des Vakuums am Kaliber des Rohrverteilers. Wenn Feuchtigkeit im Rohr verbleibt, wird die erforderliche Stärke des Vakuums bei kurzer Vakuumanwendung manchmal nicht erreicht. Nach der Vakuumtrocknung öffnen Sie die Sperrventile vollständig (sowohl für Kältemittel als auch für Gas) für das Außengerät. Auf diese Weise werden die Kältemittelleitungen von Innen- und Außengeräten vollständig miteinander verbunden.
 - Wenn das Vakuumtrocknen nicht adäquat durchgeführt wird, verbleiben Luft und Wasserdampf in den Kühlkreisen und können einen anomalen Anstieg des Überdrucks, einen anomalen Abfall des Unterdrucks, Zersetzung des Kältemaschinenöls aufgrund von Feuchtigkeit usw. verursachen.
 - Wenn die Sperrventile geschlossen bleiben und die Anlage betrieben wird, werden Kompressor und Steuerventile beschädigt.
 - Suchen Sie nach Vornahme der Anschlüsse mit einem Gasaustrittsprüfgerät oder Seifenlauge nach Gasaustritt an den Rohrverbindungsstellen der Außenanlage.
 - Verdrängen Sie die Luft aus den Kältemittelleitungen nicht mit dem Kältemittel aus der Anlage.
 - Ziehen Sie nach Beendigung des Ventilbetriebs die Ventilkappen mit dem vorgeschriebenen Drehmoment an: 20 bis 25 N·m (200 bis 250 kgf·cm). Wird es versäumt, die Kappen wieder aufzusetzen und anzuziehen, tritt möglicherweise Kältemittel aus. Achten Sie auch darauf, die Innenseiten der Ventilkappen nicht zu beschädigen, da sie als Dichtung zur Verhinderung von Kältemittelaustritt dienen.
- ⑤ Dichten Sie die Seiten der Wärmeisolierung um die Leitungsanschlüsse herum mit einem Dichtungsmittel ab, um zu verhindern, dass Wasser in die Wärmeisolierung eindringt.

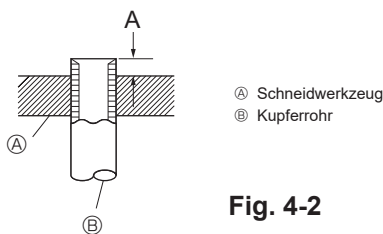
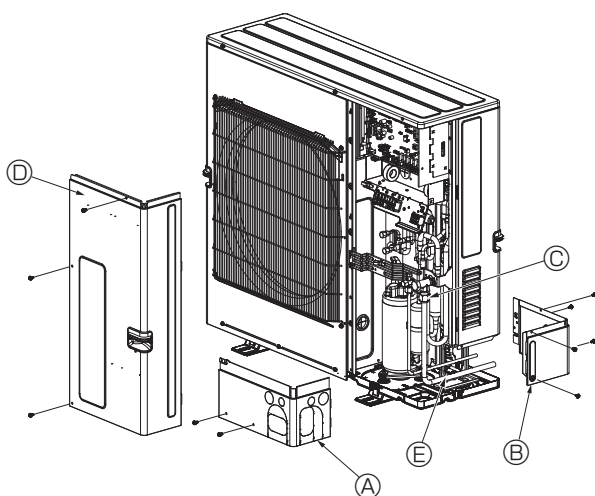


Fig. 4-2



- Ⓐ Vordere Leitungsabdeckung
Ⓑ Rückwärtige Leitungsabdeckung
Ⓒ Absperrventil
Ⓓ Wartungspult
Ⓔ Radius der Biegung: 100 mm - 150 mm

Fig. 4-3

4. Installation der Kältemittelrohrleitung

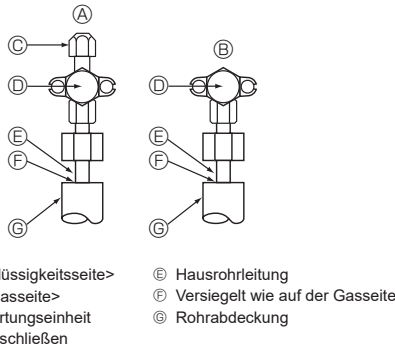


Fig. 4-4

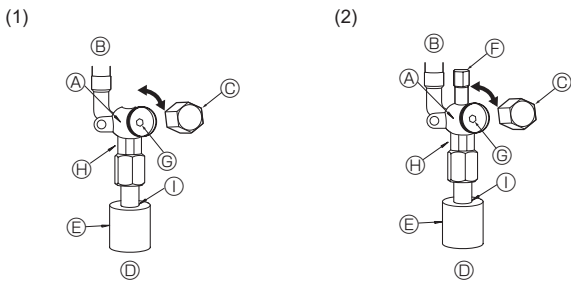


Fig. 4-5

Fig. 4-6

- A Ventil
- B Anlagenseite
- C Kappe
- D Hausrohrleitungsseite
- E Rohrabdeckung
- F Ausgang der Wartungseinheit
- G Schraubenschlüsselöffnung
- H Maulschlüsselbereich
(Setzen Sie Maulschlüssel nur in diesem Bereich an. Anderenfalls können Kühlmittlecks entstehen.)
- I Abdichtungsbereich
(Dichten Sie das Ende des Rohrisolierungsmaterials im Rohrschlussbereich mit einem geeigneten Material Ihrer Wahl ab, so dass kein Wasser in das Isolierungsmaterial eindringen kann.)

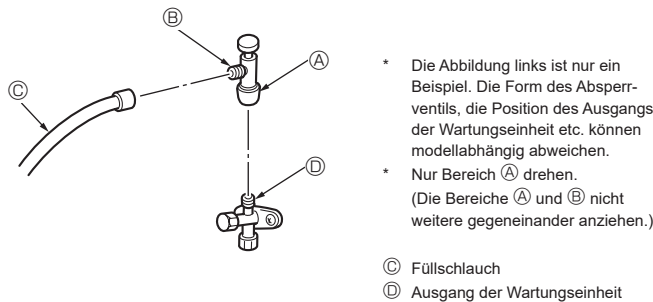


Fig. 4-7

4.6. Zugabe von Kältemittel

- Eine zusätzliche Füllung ist bei dieser Anlage nicht erforderlich, wenn die Rohrlänge 30 m nicht überschreitet.
- Wenn die Länge der Rohrleitung 30 m überschreitet, zusätzliches Kältemittel R32 gemäß zulässiger Rohrlängenangabe in der Tabelle unten in die Anlage einfüllen.
- * Füllen Sie bei ausgeschalteter Anlage diese durch das Flüssigkeitssperventil mit weiterem Kältemittel, nachdem in den Rohrverlängerungen und der Innenanlage ein Vakuum erzeugt wurde.
- Wenn die Anlage läuft, füllen Sie über das Absperrventil mittels eines Sicherheitsfüllers Kältemittel nach. Kältemittel darf nicht direkt in das Absperrventil eingefüllt werden.
- * Vermerken Sie nach dem Füllen der Anlage mit Kältemittel die hinzugefügte Kältemittelmenge auf dem (an der Anlage angebrachten) Wartungsaufkleber.
- Weitere Informationen finden Sie im Abschnitt "1.5. Einsatz von Klimaanlage mit dem Kältemittel R32".

4.4. Verfahren zum Prüfen der Rohre auf Dichtigkeit (Fig.4-4)

- (1) Schließen Sie die Prüfwerkzeuge an.
 - Vergewissern Sie sich, dass die Sperrventile A B geschlossen sind und öffnen Sie sie nicht.
 - Bauen Sie über die Wartungseinheit C des Flüssigkeitssperventils A Druck in den Kältemittelleitungen auf.
- (2) Bauen Sie den Druck nicht sofort auf den angegebenen Wert auf, sondern erhöhen Sie ihn nach und nach.
 - ① Bauen Sie einen Druck von 0,5 MPa (5 kgf/cm²G) auf, warten Sie fünf Minuten, und vergewissern Sie sich dann, dass der Druck nicht abfällt.
 - ② Bauen Sie einen Druck von 1,5 MPa (15 kgf/cm²G) auf, warten Sie fünf Minuten, und vergewissern Sie sich dann, dass der Druck nicht abfällt.
 - ③ Bauen Sie einen Druck von 4,15 MPa (41,5 kgf/cm²G) auf und messen Sie Umgebungstemperatur und Kältemitteldruck.
- (3) Wenn der angegebene Druck einen Tag lang gehalten wird und nicht abfällt, haben die Rohre den Test bestanden, und es entweicht keine Luft.
 - Wenn sich die Umgebungstemperatur um 1°C ändert, ändert sich dabei der Druck um etwa 0,01 MPa (0,1 kgf/cm²G). Nehmen Sie die erforderlichen Korrekturen vor.
- (4) Wenn der Druck in den Schritten (2) oder (3) abfällt, entweicht Gas. Suchen Sie nach der Gasaustrittsstelle.

4.5. Verfahren zum Öffnen des Absperrventils

Die Öffnungsmethode des Sperrventils variiert je nach Typ des Außengerätes. Verwenden Sie die jeweilige Methode zum Öffnen der Sperrventile.

- (1) Gasseite (Fig. 4-5)
 - ① Entfernen Sie die Kappe und drehen Sie die Ventilstange mit einem 5 mm-Sechskantschlüssel bis zum Anschlag gegen den Uhrzeigersinn. Hören Sie auf zu drehen, wenn der Anschlag erreicht ist.
(ø15,88: Etwa 13 Umdrehungen)
 - ② Sicherstellen, daß das Absperrventil vollständig offen ist, und die Kappe zurück in Ausgangsstellung drehen.
- (2) Flüssigkeitsseite (Fig. 4-6)
 - ① Entfernen Sie die Kappe und drehen Sie die Ventilstange mit einem 4 mm-Sechskantschlüssel bis zum Anschlag gegen den Uhrzeigersinn. Hören Sie auf zu drehen, wenn der Anschlag erreicht ist.
(ø9,52: Etwa 10 Umdrehungen)
 - ② Prüfen Sie, ob das Absperrventil vollständig geöffnet ist, drücken Sie den Griff zurück und setzen Sie dann die Kappe wieder auf und schrauben sie fest.

Die Kältemittelrohre sind zum Schutz umwickelt

- Die Rohre können vor oder nach dem Anschließen bis zu einem Durchmesser von ø90 mit einer Schutzumwicklung versehen werden. Schneiden Sie das Loch zum Ausbrechen in der Rohrabdeckung entlang der Einkerbung aus, und unwickeln Sie die Rohre.

Rohreingangsöffnung

- Dichten Sie den Rohreinlass um die Rohre herum mit Dichtmasse oder Spachtel, so dass keine Zwischenräume mehr vorhanden sind.
(Wenn die Zwischenräume nicht abgedichtet sind, ist kein ausreichender Lärmschutz gegeben oder Wasser und Schmutz dringen in die Anlage ein und können ihren Ausfall verursachen.)

Vorsichtsmaßnahmen bei Verwendung des Füllventils (Fig. 4-7)

Den Ausgang der Wartungseinheit bei der Installation nicht zu fest anziehen, da sich andernfalls der Ventileinsatz verformen und lösen kann, so dass Gas entweichen kann. Wenn Bereich B in die gewünschte Position gebracht ist, nur den Bereich A drehen und festziehen.

Die Bereiche A und B nicht weitere gegeneinander anziehen, wenn Bereich A festgezogen ist.

⚠️ Warnung:

Schließen Sie die Kältemittelleitungen beim Installieren des Geräts fest an, bevor Sie den Kompressor einschalten.

- Gehen Sie bei der Installation von mehreren Anlagen sorgfältig vor. Ein Anschluss an die falsche Innenanlage kann zu abnorm hohem Druck führen und die Leistung der Anlage stark beeinträchtigen.
- Nachfüllen von R32 bei der Wartung: Vergewissern Sie sich vor dem Nachfüllen von R32 bei der Wartung, dass die Ausrüstung zu 100 % vom Stromnetz getrennt ist. Sonst liegt Explosionsgefahr durch elektrischen Funkenschlag vor.

Modell	Zulässige Rohrlänge	Zulässige vertikale Differenz	Zusätzliche Kältemittelfüllmenge					©Maximale Kältemittelmenge
			31 - 40 m	41 - 50 m	51 - 55 m	56 - 60 m	61 - 65 m	
M100	- 55 m	- 30 m	0,4 kg	0,8 kg	1,0 kg	—	—	4,1 kg
M125, 140	- 65 m	- 30 m	0,4 kg	0,8 kg	1,0 kg	1,2 kg	1,4 kg	5,0 kg

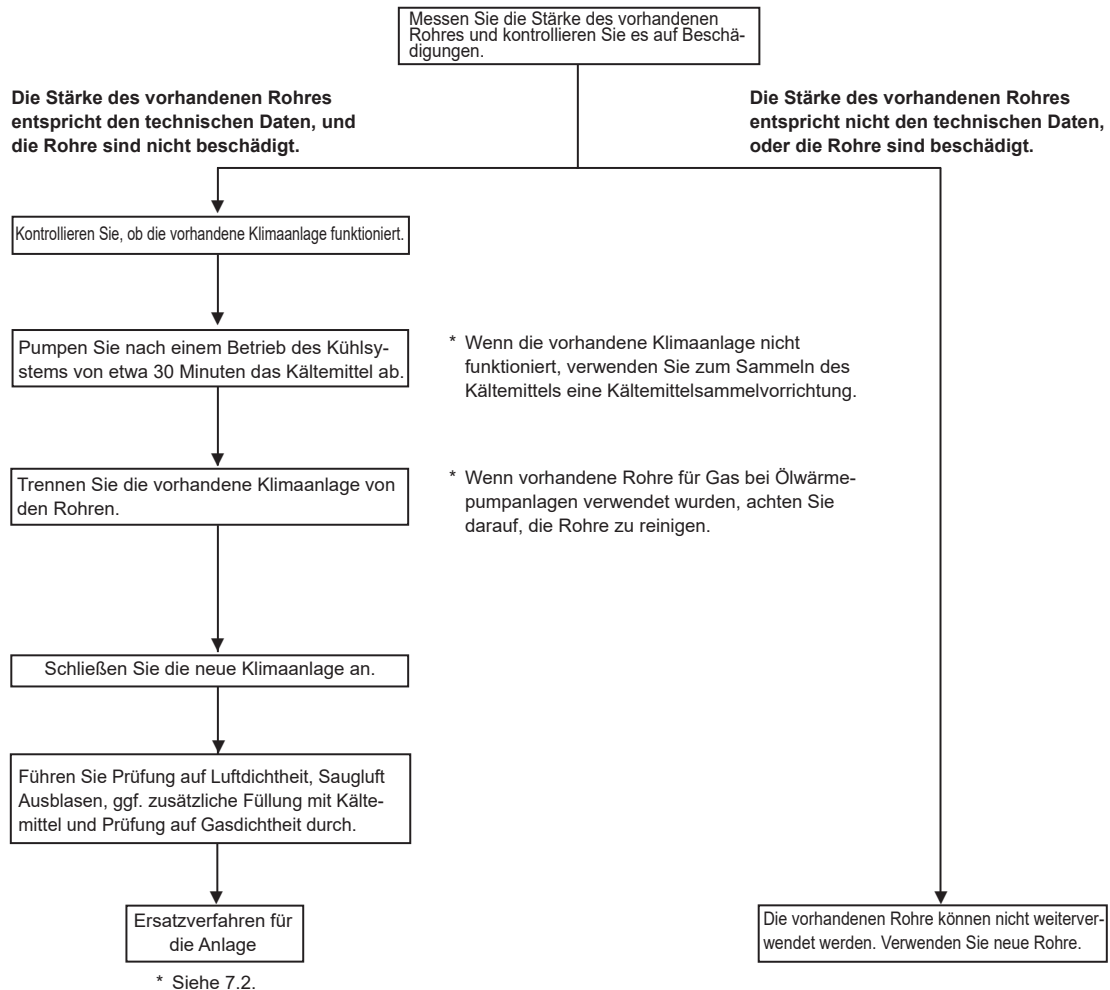
4. Installation der Kältemittelrohrleitung

Kältemittelnachfüllmenge (kg) für unter 30 m (Unbefüllte Rohrlänge)

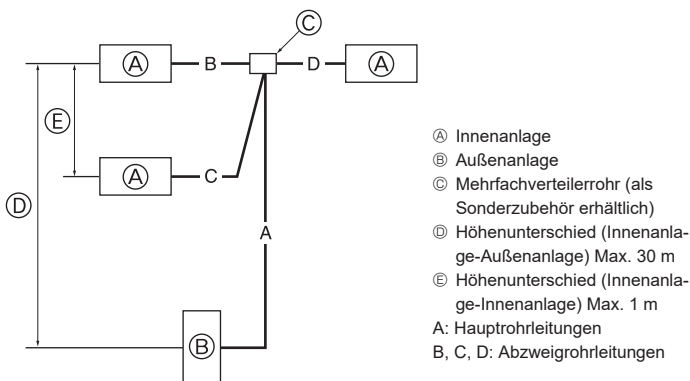
Außenanlage	5 m und weniger	6 - 10 m	11 - 15 m	16 - 20 m	21 - 25 m	26 - 30 m
M100	2,0	2,2	2,4	2,6	2,8	3,1
M125, 140	2,6	2,8	3,0	3,2	3,4	3,6

4.7. Sicherheitsmaßnahmen bei der Wiederverwendung vorhandener R22-Kältemittelrohre

- Beachten Sie das folgende Flussdiagramm, um zu entscheiden, ob vorhandene Rohre verwendet werden können und ob die Verwendung eines Filtertrockners erforderlich ist.
- Wenn der Durchmesser der vorhandenen Rohre vom angegebenen Durchmesser abweicht, sehen Sie in den technischen Daten nach, um sicherzugehen, dass die Rohre verwendet werden können.



<Grenzen für Verlegung von Kältemittelrohrleitungen>



M100 : $A+B+C (+D) \leq 55$ m
 M125, 140 : $A+B+C (+D) \leq 65$ m
 * "D" für Dreifachanlage.

Fig. 4-8

4.8. Für Doppel-/Dreifachkombination (Fig. 4-8)

- Bei Verwendung dieser Anlage als FREIER KOMBINIERTER MEHRFACH-Anlage, die Kältemittelrohrleitung unter Berücksichtigung der in der Zeichnung links angegebenen Einschränkungen installieren. Wenn darüber hinaus die Beschränkungen wahrscheinlich überschritten werden oder wenn wahrscheinlich Kombinationen von Innen- und Außenanlagen entstehen werden, die Einzelheiten über die Installation den Installationsanweisungen für die Innenanlage entnehmen.

Außenanlage	Zulässige Gesamtrohrleitungslänge A+B+C+D	B oder C oder D	Rohrlänge ohne Füllung A+B+C+D
M100	55 m und weniger	20 m und weniger	30 m und weniger
M125, 140	65 m und weniger	20 m und weniger	30 m und weniger

Außenanlage	B-C oder B-D oder C-D	Zahl der Krümmer
M100-140	8 m und weniger	Innerhalb 15

5. Verrohrung der Dränage

Dränagerohranschluss der Außenanlage

Wenn eine Abflussrohrleitung erforderlich ist, den Abflusstopfen oder die Ablaufpfanne (Zubehör) verwenden.

	M100-140
Abflusstopfen	PAC-SG61DS-E
Ablaufpfanne	PAC-SH97DP-E

6. Elektroarbeiten

6.1. Außenanlage (Fig. 6-1, Fig. 6-2)

- ① Die Bedienungsplatte abnehmen.
- ② Die Kabel gemäß der Fig. 6-1 und der Fig. 6-2 verdrahten.

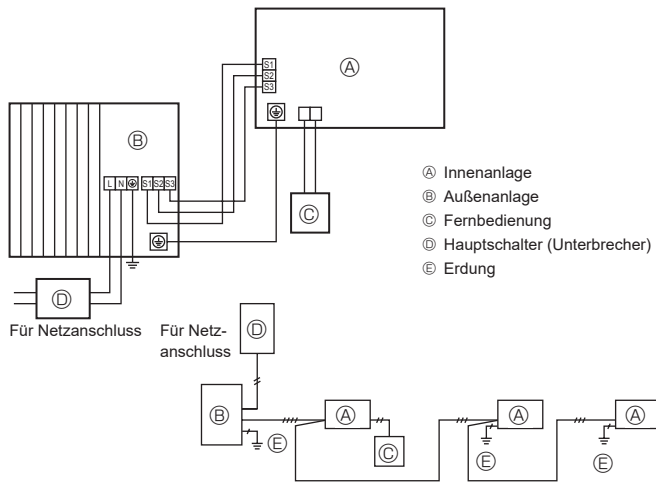


Fig. 6-1

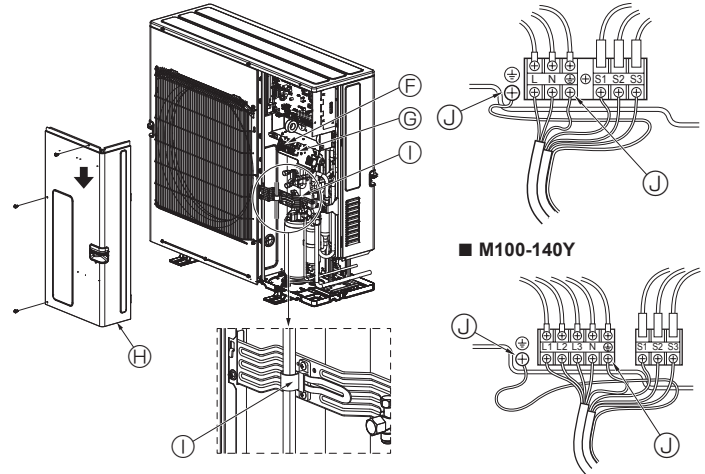


Fig. 6-2

- Ⓜ Klemmleiste
- Ⓝ Anschlussklemmblock Innen-/Außenanlage (S1, S2, S3)
- Ⓜ Wartungspult
- Ⓜ Klemme
- * Die Kabel so verdrahten, dass sie weder die Mitte der Bedienungsplatte noch die Gasarmatur berühren.
- Ⓜ Erdungsklemme

Hinweis :

Wenn das Schutzblech am Schaltkasten zur Bedienung und Wartung entfernt wurde, dafür sorgen, dass es wieder angebracht wird.

⚠ Vorsicht:

Einbau der N-Leitung sicherstellen. Ohne N-Leitung können Schäden an der Anlage auftreten.

6. Elektroarbeiten

6.2. Elektrische Feldverdrahtung

Außenanlage Modell		M100, 125V	M140V	M100, 125, 140Y
Außenanlage Stromversorgung		~N (Eine), 50 Hz, 230 V	~N (Eine), 50 Hz, 230 V	3N~ (3Ph 4-adrig), 50 Hz, 400 V
Eingangsstromstärke der Außenanlage Hauptschalter (Unterbrecher) *1		32 A	40 A	16 A
Verdichtung Zahl der Leitungen * Querschnitt (mm²)	Außenanlage Stromversorgung	3 × Min. 6	3 × Min. 6	5 × Min. 1,5
	Innenanlage-Außenanlage *2	3 × 1,5 (Polar)	3 × 1,5 (Polar)	3 × 1,5 (Polar)
	Erdungsleitung der Innen-/Außenanlage *2	1 × Min. 1,5	1 × Min. 1,5	1 × Min. 1,5
	Fernbedienung-Innenanlage *3	2 × 0,3 (Nicht polar)	2 × 0,3 (Nicht polar)	2 × 0,3 (Nicht polar)
Nennspannung des Stromkreises	Außenanlage L-N (Eine)	230 V AC	230 V AC	230 V AC
	Außenanlage L1-N, L2-N, L3-N (3 Phasen) *4	230 V AC	230 V AC	230 V AC
	Innenanlage-Außenanlage S1-S2 *4	230 V AC	230 V AC	230 V AC
	Innenanlage-Außenanlage S2-S3 *4	24 V DC	24 V DC	24 V DC
	Fernbedienung-Innenanlage *4	12 V DC	12 V DC	12 V DC

*1. An jedem der einzelnen Pole einen Erdschlussunterbrecher (NV) mit einem Kontaktabstand von mindestens 3,0 mm einsetzen.

Darauf achten, dass der Stromunterbrecher mit harmonischen Oberschwingungen kompatibel ist.

Stets einen Stromunterbrecher verwenden, der mit harmonischen Oberschwingungen kompatibel ist, da dieses Gerät einen Umwandler besitzt.

Wird ein ungeeigneter Unterbrecher verwendet, kann dies zu einem mangelhaften Betrieb des Umwandlers führen.

*2. Max. 45 m

Wenn 2,5 mm² verwendet werden, max. 50 m

Wenn 2,5 mm² verwendet werden und S3 getrennt ist, max. 80 m

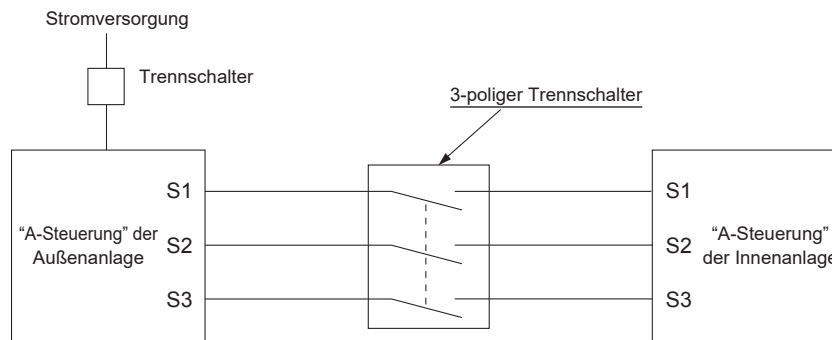
*3. Das Fernbedienungszubehör ist mit einer Elektroleitung von 10 m ausgestattet.

*4. Die Angaben gelten NICHT immer gegenüber der Erdleitung.

Klemme S3 hat 24 V DC Gleichstrom gegenüber Klemme S2. Zwischen den Klemmen S3 und S1 gibt es keine elektrische Isolierung durch den Transformator oder eine andere elektrische Vorrichtung.



- Hinweise:**
- Die Größe der Elektroleitung muß den jeweiligen örtlichen und nationalen gesetzlichen Vorschriften entsprechen.
 - Als Kabel für die Stromversorgung und die Verbindung von Innen- und Außenanlage muß mindestens ein polychloropren-beschichtetes, flexibles Kabel (entsprechend 60245 IEC 57) gewählt werden.
 - Die Erdungsleitung muss länger als die anderen Elektroleitungen sein, damit sie bei Ausübung von Zugspannung nicht getrennt wird.
 - Verwenden Sie flammwidrige Verteilerkabel für die Spannungszuleitung.
 - Verlegen Sie die Leitung ordnungsgemäß, so dass sie nicht mit der Blechkante oder einer Schraubenspitze in Berührung kommt.



⚠ Warnung:

- Bei der Steuerleitung A gibt es auf Grund der Auslegung des Stromkreises, der keine Isolierung zwischen Netzleitung und Übertragungsleitung hat, an der Klemme S3 ein Hochspannungspotential. Daher bitte bei der Wartung den Netzstrom ausschalten. Auch bitte die Klemmen S1, S2, S3 nicht berühren, wenn Netzstrom anliegt. Wenn zwischen Innen- und Außengerät ein Trennschalter eingesetzt werden soll, bitte einen 3-poliger Schalter verwenden.

Spleißen Sie niemals das Netzkabel oder das Verbindungskabel zwischen Innenaggregat und Außengerät, da es andernfalls zu Rauchentwicklung, einem Brand oder einem Kommunikationsfehler kommen kann.

Darauf achten, die Verbindungskabel zwischen Außen- und Innenanlage direkt an die Geräte anzuschließen. (Keine Zwischenanschlüsse). Zwischenanschlüsse können Kommunikationsfehler verursachen, wenn Wasser in die Kabel eindringt und unzureichende Isolierung zur Erdung oder schlechten Stromkontakt am Zwischenanschlusspunkt zur Folge hat.

7. Testlauf

7.1. Vor dem Testlauf

- ▶ Nach Installation, Verdrahtung und Verlegung der Rohrleitungen der Innen- und Außenanlagen überprüfen und sicherstellen, daß kein Kältemittel ausläuft, Netzstromversorgung und Steuerleitungen nicht locker sind, Polarität nicht falsch angeordnet und keine einzelne Netzanschlußphase getrennt ist.
- ▶ Mit einem 500-Volt-Megohmmeter überprüfen und sicherstellen, daß der Widerstand zwischen Stromversorgungsklemmen und Erdung mindestens 1 M Ω beträgt.
- ▶ Diesen Test nicht an den Klemmen der Steuerleitungen (Niederspannungstromkreis) vornehmen.

⚠ Warnung:

Die Klimaanlage nicht in Betrieb nehmen, wenn der Isolationswiderstand weniger als 1 M Ω beträgt.

Isolationswiderstand

Nach der Installation oder nachdem die Anlage längere Zeit von der Stromversorgung getrennt war, fällt der Isolationswiderstand auf Grund der Kältemittelansammlung im Kompressor unter 1 M Ω . Es liegt keine Fehlfunktion vor. Gehen Sie wie folgt vor.

1. Trennen Sie die Stromleitungen vom Kompressor, und messen Sie den Isolationswiderstand des Kompressors.
2. Wenn der Isolationswiderstand niedriger als 1 M Ω ist, ist der Kompressor entweder defekt oder der Widerstand ist auf Grund der Kältemittelansammlung im Kompressor gefallen.
3. Nach dem Anschließen der Stromleitungen und dem Einschalten des Netzstroms, beginnt der Kompressor warmzulaufen. Messen Sie den Isolationswiderstand nach den unten aufgeführten Einschaltzeiten erneut.

- Der Isolationswiderstand fällt auf Grund der Kältemittelansammlung im Kompressor ab. Der Widerstand steigt auf über 1 M Ω , nachdem sich der Kompressor 4 Stunden lang warmgelaufen hat. (Die Zeit, die zum Erwärmen des Kompressors erforderlich ist, ist je nach Wetterbedingungen und Kältemittelansammlung unterschiedlich.)
 - Um den Kompressor mit einer Kältemittelansammlung im Kompressor zu betreiben, muß der Kompressor mindestens 12 Stunden lang warmlaufen, um einen Ausfall zu verhindern.
4. Wenn der Isolationswiderstand über 1 M Ω ansteigt, ist der Kompressor nicht defekt.

⚠ Vorsicht:

- Kompressor arbeitet nicht, wenn Phasen der Netzstromversorgung nicht richtig angeschlossen sind.
- Strom mindestens 12 Stunden vor Betriebsbeginn einschalten.
- Betriebsbeginn unmittelbar nach Einschalten des Netzschalters kann zu schwerwiegenden Schäden der Innenteile führen. Während der Saison Netzschalter eingeschaltet lassen.

▶ Die nachfolgenden Positionen müssen ebenfalls überprüft werden.

- Die Außenanlage ist nicht defekt. LED1 und LED2 auf der Schalttafel der Außenanlage blinken, wenn die Außenanlage defekt ist.
- Sowohl das Gas- als auch das Flüssigkeitssperrenventil sind vollständig geöffnet.
- Ein Schutz bedeckt die DIP-Schalttafel auf der Schalttafel der Außenanlage. Entfernen Sie den Schutz, damit Sie die DIP-Schalter leicht bedienen können.

7.2. Testlauf

7.2.1. SW4 in der Außenanlage verwenden

SW4-1	ON/EIN	Betriebsart Kühlung
SW4-2	OFF/AUS	
SW4-1	ON/EIN	Betriebsart Heizung
SW4-2	ON/EIN	

- * Nach Durchführung des Testlaufs SW4-1 auf OFF/AUS einstellen.
- Nach dem Einschalten ist möglicherweise ein leises Klicken aus dem Inneren der Außenanlage zu hören. Das elektronische Expansionsventil öffnet und schließt sich. Die Anlage ist nicht defekt.
- Einige Sekunden nach dem Anlaufen des Kompressors ist möglicherweise ein klingendes Geräusch aus dem Inneren der Außenanlage zu hören. Dieses Geräusch stammt vom Absperrventil auf Grund geringer Druckunterschiede in den Rohren. Die Anlage ist nicht defekt.

Der Testlauf-Modus kann während des Testlaufs nicht mittels des DIP-Schalters SW4-2 geändert werden. (Zum Ändern des Testlauf-Modus müssen Sie den Testlauf mit DIP-Schalter SW4-1 ausschalten. Nach Änderung des Testlauf-Modus können Sie den Testlauf mit Schalter SW4-1 fortsetzen.)

7.2.2. Benutzung der Fernbedienung

Beziehen Sie sich auf das Innenanlagen-Installationshandbuch.

Hinweis :

Gelegentlich kann durch den Entfrostervorgang entstehender Dampfauftritt, der wie aus dem Außenanlage austretender Rauchausschlag kann.

8. Spezielle Funktionen

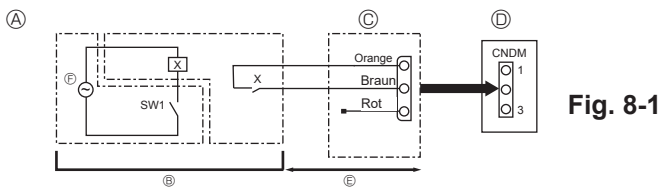


Fig. 8-1

- Ⓐ Beispiel eines Schaltplans (Lärmschutzmodus) Ⓓ Schalttafel der Außenanlage
 Ⓑ Anordnung vor Ort Ⓔ Max. 10 m
 Ⓒ Externer Eingangsadapter (PAC-SC36NA-E) Ⓕ Stromversorgung für Relais
 X: Relais

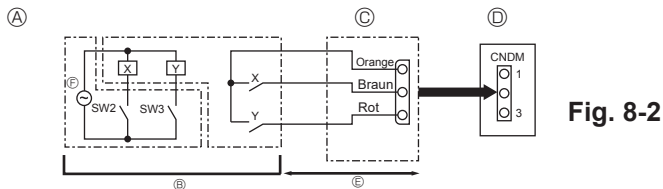


Fig. 8-2

- Ⓐ Beispiel eines Schaltplans (Anforderungsfunktion) Ⓒ Externer Eingangsadapter (PAC-SC36NA-E)
 Ⓑ Anordnung vor Ort Ⓓ Schalttafel der Außenanlage
 X, Y: Relais Ⓔ Max. 10 m
 Ⓕ Stromversorgung für Relais

8.1. Lärmschutzmodus (Veränderung vor Ort) (Fig. 8-1)

Mittels der folgenden Änderung kann das Betriebsgeräusch der Außenanlage um etwa 3 bis 4 dB reduziert werden.

Der Lärmschutzmodus wird aktiviert, wenn ein im Fachhandel erhältlicher Timer oder der Kontakteingang eines EIN/AUS-Schalters an den CNDM-Stecker (als Sonderzubehör erhältlich) auf der Schalttafel der Außenanlage zusätzlich angebracht wird.

- Die Wirksamkeit hängt von den Außentemperaturen und den Betriebsbedingungen etc. ab.
- ① Vervollständigen Sie bei Verwendung des externen Eingangsadapters (PAC-SC36NA-E) (als Sonderzubehör käuflich zu erwerben) den Stromkreis wie dargestellt.
- ② SW7-1 (Schalttafel der Außenanlage): OFF/AUS
- ③ SW1 ON/EIN: Lärmschutzmodus
SW1 OFF/AUS: Normalbetrieb

8.2. Anforderungsfunktion (Veränderung vor Ort) (Fig. 8-2)

Mittels der folgenden Änderung kann der Stromverbrauch auf 0-100% des normalen Verbrauchs reduziert werden.

Die Anforderungsfunktion wird aktiviert, wenn ein im Fachhandel erhältlicher Timer oder der Kontakteingang eines EIN/AUS-Schalters an den CNDM-Stecker (als Sonderzubehör erhältlich) auf der Schalttafel der Außenanlage zusätzlich angebracht wird.

- ① Vervollständigen Sie bei Verwendung des externen Eingangsadapters (PAC-SC36NA-E) (als Sonderzubehör käuflich zu erwerben) den Stromkreis wie dargestellt.
- ② Durch Einstellen von SW7-1 auf der Schalttafel der Außenanlage kann der Stromverbrauch (im Vergleich zum normalen Verbrauch) wie unten gezeigt gesenkt werden.

	SW7-1	SW2	SW3	Stromverbrauch
Anforderungsfunktion	ON	OFF	OFF	100%
		ON	OFF	75%
		ON	ON	50%
		OFF	ON	0% (Stopp)

8. Spezielle Funktionen

8.3. Kältemittel sammeln (Abpumpen)

Gehen Sie zum Sammeln des Kältemittels wie im Folgenden beschrieben vor, wenn die Innen- oder die Außenanlage an einen anderen Aufstellungsort transportiert werden soll.

- ① Schalten Sie die Anlage ein (Leistungsschalter).
 - * Vergewissern Sie sich nach dem Einschalten, dass auf der Fernbedienung nicht "CENTRALLY CONTROLLED" (ZENTRAL GESTEUERT) angezeigt wird. Falls "CENTRALLY CONTROLLED" (ZENTRAL GESTEUERT) angezeigt wird, kann das Sammeln (Abpumpen) des Kältemittels nicht normal abgeschlossen werden.
 - * Die Kommunikation zwischen Innen- und Außenanlage startet etwa 3 Minuten nach Einschalten der Stromversorgung (Trennschalter). Starten Sie den Abpump-Betrieb 3 bis 4 Minuten nach Einschalten der Stromversorgung (Trennschalter).
- ② Stellen Sie nach dem Schließen des Flüssigkeitssperrentils den SWP-Schalter auf der Schalttafel der Außenanlage auf ON/EIN ein. Der Kompressor (Außenanlage) und die Ventilatoren (Innen- und Außenanlagen) beginnen zu arbeiten und der Kältemittelsammelvorgang setzt ein. LED1 und LED2 auf der Schalttafel der Außenanlage leuchten.
 - * Stellen Sie den SWP-Schalter (ein Tastschalter) nur dann auf ON/EIN, wenn die Anlage ausgeschaltet ist. Allerdings kann der Kältemittelsammelvorgang auch dann nicht durchgeführt werden, wenn die Anlage ausgeschaltet und der SWP-Schalter weniger als 3 Minuten, nachdem sich der Kompressor ausschaltet, auf ON/EIN eingestellt wird. Warten Sie, bis der Kompressor mindestens 3 Minuten lang ausgeschaltet ist, und stellen Sie dann den SWP-Schalter erneut auf ON/EIN.

- ③ Da die Anlage sich etwa 2 bis 3 Minuten nach dem Sammeln des Kältemittels automatisch ausschaltet (LED1 aus und LED2 leuchtet), stellen Sie sicher, dass das Gassperrentil unverzüglich geschlossen wird. Wenn LED1 leuchtet und LED2 aus ist und die Außenanlage ausgeschaltet ist, wird der Kältemittelsammelvorgang nicht ordnungsgemäß ausgeführt. Öffnen Sie das Flüssigkeitssperrentil vollständig, und wiederholen Sie dann nach Ablauf von 3 Minuten Schritt ②.
 - * Wenn das Sammeln des Kältemittels normal abgeschlossen wurde (LED1 aus und LED2 leuchtet), bleibt die Anlage ausgeschaltet, bis die Stromversorgung ausgeschaltet wird.

- ④ Unterbrechen Sie die Stromversorgung (Leistungsschalter).
 - * Beachten Sie, dass bei langen Verlängerungsrohren und großer Kältemittelmenge möglicherweise kein Abpumpen durchgeführt werden kann. Bei Durchführung des Abpumpbetriebs dafür sorgen, dass der Unterdruck auf etwa 0 MPa (Messwert) abgesenkt wird.

⚠ Warnung:
Schalten Sie beim Abpumpen des Kältemittels den Kompressor ab, bevor die Kältemittelleitungen getrennt werden. Der Kompressor kann zerplatzen, wenn Luft etc. eindringt.

9. Kontrolle des Systems (Fig. 9-1)

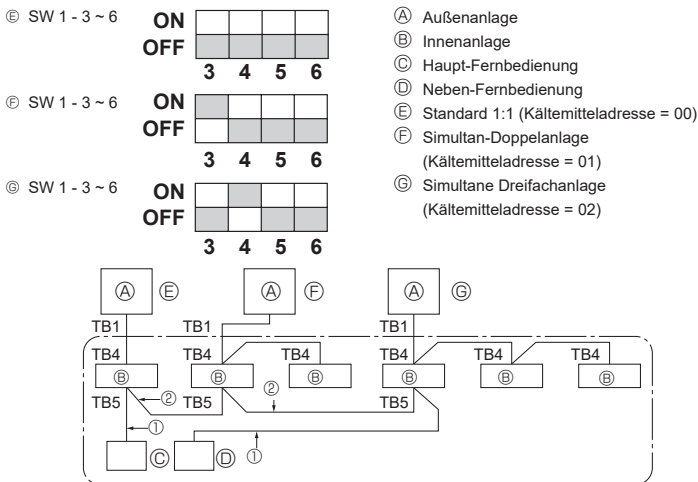


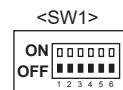
Fig. 9-1

* Die Kältemitteladresse mit dem DIP-Schalter der Außenanlage einstellen.

- ① Verdrahtung von der Fernbedienung
 Der Draht ist an TB5 (Klemmleiste für Fernbedienung) angeschlossen (nicht polar).
- ② Wenn eine andere Kältemittelsystem-Gruppierung verwendet wird.
 Mit der flachen MA Fernbedienung können bis zu 16 Kältemittelsysteme als eine Gruppe gesteuert werden.

Hinweis:
Bei einem Einfachkältemittelsystem (doppelt/dreifach), ist keine Verdrahtung ② erforderlich.

SW1-Funktions-
 tabelle



	Funktion	Betrieb gemäß Schaltereinstellung	
		ON/EIN	OFF/AUS
SW1-Funkti- onseinstel- lungen	1 Vorgeschriebene Enteisung	Start	Normal
	2 Fehlerhergang gelöscht	Gelöscht	Normal
	3 Adresseneinstel- lung des Kältemit- telsystems	Einstellungen für Außenan- lagenadressen 0 bis 15	
	4		
	5		
	6		

Index

1. Consignes de sécurité.....	1	6. Installations électriques.....	10
2. Emplacement pour l'installation.....	2	7. Marche d'essai.....	12
3. Installation de l'appareil extérieur.....	6	8. Fonctions spéciales.....	12
4. Installation de la tuyauterie du réfrigérant.....	6	9. Contrôle du système (Fig. 9-1).....	13
5. Mise en place du tuyau d'écoulement.....	10		

Remarque : Ce symbole est utilisé uniquement pour les pays de l'UE.

Ce symbole est conforme à la directive 2012/19/UE Article 14 Informations pour les utilisateurs et à l'Annexe IX.



Votre produit Mitsubishi Electric est conçu et fabriqué avec des matériels et des composants de qualité supérieure qui peuvent être recyclés et réutilisés. Ce symbole signifie que les équipements électriques et électroniques, à la fin de leur durée de service, doivent être éliminés séparément des ordures ménagères. Nous vous prions donc de confier cet équipement à votre centre local de collecte/recyclage.

Dans l'Union Européenne, il existe des systèmes sélectifs de collecte pour les produits électriques et électroniques usagés.

Aidez-nous à conserver l'environnement dans lequel nous vivons !

Les machines ou appareils électriques et électroniques contiennent souvent des matières qui, si elles sont traitées ou éliminées de manière inappropriée, peuvent s'avérer potentiellement dangereuses pour la santé humaine et pour l'environnement.

Cependant, ces matières sont nécessaires au bon fonctionnement de votre appareil ou de votre machine. Pour cette raison, il vous est demandé de ne pas vous débarrasser de votre appareil ou machine usagé avec vos ordures ménagères.

⚠ Précaution :

- Ne libérez pas le R32 dans l'atmosphère.

1. Consignes de sécurité

- ▶ Avant d'installer le climatiseur, lire attentivement toutes les "Consignes de sécurité".
- ▶ Veuillez consulter ou obtenir la permission votre compagnie d'électricité avant de connecter votre système.
- ▶ PUZ-M•Y est destiné aux applications industrielles légères et commerciales.
- ▶ Equipement conforme à la directive IEC/EN 61000-3-12 (PUZ-M100/125/140V)

⚠ Avertissement :

Précautions à suivre pour éviter tout danger de blessure ou de décès de l'utilisateur.

⚠ Précaution :

Décrit les précautions qui doivent être prises pour éviter d'endommager l'appareil.

Une fois l'installation terminée, expliquer les "Consignes de sécurité", l'utilisation et l'entretien de l'appareil au client conformément aux informations du mode d'emploi et effectuer l'essai de fonctionnement en continu pour garantir un fonctionnement normal. Le manuel d'installation et le mode d'emploi doivent être fournis à l'utilisateur qui doit les conserver. Ces manuels doivent également être transmis aux nouveaux utilisateurs.





⚡ : Indique un élément qui doit être mis à la terre.

⚠ Avertissement :

Prendre soin de lire les étiquettes se trouvant sur l'appareil principal.

Ⓞ : Indique des avertissements et des conseils de prudence concernant l'utilisation du réfrigérant R32.

fr SIGNIFICATION DES SYMBOLES AFFICHÉS SUR L'APPAREIL

	AVERTISSEMENT (Risque d'incendie)	Ce symbole est utilisé uniquement pour le réfrigérant R32. Le type de réfrigérant est indiqué sur la plaque signalétique de l'appareil extérieur. Si le type de réfrigérant est le R32, cet appareil utilise un réfrigérant inflammable. Si le réfrigérant fuit et entre en contact avec une flamme ou une pièce chaude, il produira un gaz toxique et un incendie risque de se déclencher.
		Veuillez lire le MANUEL D'INSTALLATION avec soin avant utilisation.
		Le personnel d'entretien est tenu de lire avec soin le MANUEL D'UTILISATION et le MANUEL D'INSTALLATION avant utilisation.
		De plus amples informations sont disponibles dans le MANUEL D'UTILISATION, le MANUEL D'INSTALLATION et documents similaires.

⚠ Avertissement :

- L'appareil ne doit pas être installé par l'utilisateur. Contacter un revendeur ou un technicien agréé pour installer et réparer le climatiseur. Si l'appareil n'est pas correctement installé, des fuites d'eau, des chocs électriques ou des incendies peuvent se produire.
- Pour l'installation et le déplacement, respecter les instructions du manuel d'installation et utiliser des outils et des composants de tuyau spécialement conçus pour une utilisation avec le réfrigérant R32. Si des composants de tuyau non adaptés au réfrigérant R32 sont utilisés et si l'appareil n'est pas correctement installé, les tuyaux peuvent éclater et provoquer des dommages ou des blessures. Des fuites d'eau, des chocs électriques et des incendies peuvent également se produire.
- L'appareil doit être installé conformément aux instructions pour réduire les risques de dommages liés à des tremblements de terre, des typhons ou des vents violents. Une installation incorrecte peut entraîner la chute de l'appareil et provoquer des dommages ou des blessures.
- L'appareil doit être solidement installé sur une structure pouvant supporter son poids. Si l'appareil est fixé sur une structure instable, il risque de tomber et de provoquer des dommages ou des blessures.
- Si le climatiseur est installé dans une petite pièce, certaines mesures doivent être prises pour éviter que la concentration de réfrigérant ne dépasse le seuil de sécurité en cas de fuite. Consulter un revendeur pour obtenir les mesures adéquates et ainsi éviter de dépasser la concentration autorisée. En cas de fuite de réfrigérant et de dépassement du seuil de concentration, des risques liés au manque d'oxygène dans la pièce peuvent survenir.
- Aérer la pièce en cas de fuite de réfrigérant lors de l'utilisation. Le contact du réfrigérant avec une flamme peut provoquer des émanations de gaz toxiques.
- Toutes les installations électriques doivent être effectuées par un technicien qualifié conformément aux réglementations locales et aux instructions fournies dans ce manuel. Les appareils doivent être alimentés par des lignes électriques adaptées. Utiliser la tension correcte et des coupe-circuits. Des lignes électriques de capacité insuffisante ou des installations électriques incorrectes peuvent provoquer un choc électrique ou un incendie.
- Utiliser le cuivre phosphoreux C1220, pour des tuyaux sans soudure en cuivre et en alliage de cuivre, pour raccorder les tuyaux de réfrigérant. Si les tuyaux ne sont pas correctement raccordés, la mise à la terre de l'appareil ne sera pas conforme et des chocs électriques peuvent se produire.
- Cet appareil est conçu pour être utilisé par des utilisateurs experts ou spécialement formés dans des ateliers, dans l'industrie légère ou des exploitations agricoles, ou pour une utilisation commerciale par des non-spécialistes.
- N'utiliser que les câbles spécifiés pour les raccordements. Les raccordements doivent être réalisés correctement sans tension sur les bornes. Ne jamais effectuer de jonction sur les câbles (sauf en cas d'indications contraires). Le non respect de cette consigne peut entraîner une surchauffe ou un incendie.
- Si le cordon d'alimentation est endommagé, il doit être remplacé par le fabricant, ses revendeurs ou un technicien qualifié pour éviter tout danger de choc électrique.
- L'appareil doit être installé conformément aux réglementations nationales relatives au câblage.
- Le couvercle du bloc de sortie de l'appareil extérieur doit être solidement fixé. S'il n'est pas correctement installé et si des poussières et de l'humidité s'infiltrent dans l'appareil, un choc électrique ou un incendie peut se produire.

- Lors de l'installation, du déplacement ou de l'entretien du climatiseur, n'utilisez que le réfrigérant spécifié (R32) pour remplir les tuyaux de réfrigérant. Ne pas le mélanger avec un autre réfrigérant et faire le vide d'air dans les tuyaux.
- Si du réfrigérant est mélangé avec de l'air, cela peut provoquer des pointes de pression dans les tuyaux de réfrigérant et entraîner une explosion et d'autres risques. L'utilisation d'un réfrigérant différent de celui spécifié pour le climatiseur peut entraîner des défaillances mécaniques, des dysfonctionnements du système ou une panne de l'appareil. Dans le pire des cas, cela peut entraîner un obstacle à la mise en sécurité du produit.
- N'utiliser que les accessoires agréés par Mitsubishi Electric et contacter un revendeur ou un technicien agréé pour les installer. Si les accessoires ne sont pas correctement installés, une fuite d'eau, un choc électrique ou un incendie peut se produire.
- Ne pas changer l'appareil. Consulter un revendeur en cas de réparations. Si les modifications ou réparations ne sont pas correctement effectuées, une fuite d'eau, un choc électrique ou un incendie peut se produire.
- L'utilisateur ne doit jamais essayer de réparer ou de déplacer l'appareil. Si l'appareil n'est pas correctement installé, des fuites d'eau, des chocs électriques ou des incendies peuvent se produire. Si le climatiseur doit être réparé ou déplacé, contacter un revendeur ou un technicien agréé.
- Une fois l'installation terminée, vérifier les éventuelles fuites de réfrigérant. Si le réfrigérant fuit dans la pièce et entre en contact avec la flamme d'un chauffage ou d'une cuisinière, des gaz toxiques peuvent se dégager.
- Ne faites usage d'aucun moyen visant à accélérer le processus de dégivrage ou à nettoyer autre que ceux recommandés par le fabricant.
- L'appareil doit être rangé dans une pièce ne contenant aucune source d'allumage (soutenu d'inflammation) à l'écart des lieux où l'installation, les réparations et autres travaux sur le climatiseur seront effectués.
- Ne percez pas et ne brûlez pas l'appareil.
- Sachez que les réfrigérants peuvent être inodores.
- La tuyauterie doit être protégée contre tout dommage physique.
- L'installation de tuyauterie doit être limitée au strict minimum.
- Les réglementations nationales sur les gaz doivent être respectées.
- Gardez les ouvertures de ventilation libres d'obstruction.
- Ne pas utiliser d'alliage de soudure à basse température pour le brasage des tuyaux de réfrigérant.
- Lors de travaux de soudure, veiller à assurer une ventilation suffisante de la pièce. Veiller à ce qu'aucun matériau dangereux ou inflammable ne se trouve à proximité. Si le travail est effectué dans une pièce fermée, de petite taille ou un endroit similaire, vérifier l'absence de toute fuite de réfrigérant avant de commencer le travail. Si le réfrigérant fuit et s'accumule, il risque de s'enflammer et des gaz toxiques peuvent se dégager.
- L'appareil sera stocké dans une zone bien ventilée où la taille des pièces correspond à la surface des pièces spécifiée pour le fonctionnement.
- Tenir les appareils à gaz, les radiateurs électriques et autres sources d'incendie (sources d'inflammation) à l'écart des lieux où l'installation, les réparations et autres travaux sur le climatiseur seront effectués.
- Tout contact du réfrigérant avec une flamme libère des gaz toxiques.
- Ne pas fumer pendant le travail et le transport.

1. Consignes de sécurité

1.1. Avant l'installation

⚠ Précaution :

- Ne pas utiliser l'appareil dans un environnement inhabitable. Si le climatiseur est installé dans des endroits exposés à la vapeur, à l'huile volatile (notamment l'huile de machine), au gaz sulfurique, à une forte teneur en sel, par exemple, à la mer, ou dans des endroits où l'appareil sera recouvert de neige, les performances peuvent considérablement diminuer et les pièces internes de l'appareil être endommagées.
- Ne pas installer l'appareil dans des endroits où des gaz de combustion peuvent s'échapper, se dégager ou s'accumuler. L'accumulation de gaz de combustion autour de l'appareil peut provoquer un incendie ou une explosion.

- L'appareil extérieur produit de la condensation lors du fonctionnement du chauffage. Prévoir un système de drainage autour de l'appareil extérieur en cas où la condensation provoquerait des dommages.
- Lors de l'installation de l'appareil dans un hôpital ou un centre de communications, se préparer au bruit et aux interférences électroniques. Les inverseurs, les appareils électroménagers, les équipements médicaux haute fréquence et de communications radio peuvent provoquer un dysfonctionnement ou une défaillance du climatiseur. Le climatiseur peut également endommager les équipements médicaux et de communications, perturbant ainsi les soins et réduisant la qualité d'affichage des écrans.

1.2. Avant l'installation (déplacement)

⚠ Précaution :

- Transportez et installez les appareils avec précaution. L'appareil doit être transporté par deux personnes ou plus, car il pèse 20 kg minimum. Ne pas tirer les rubans d'emballage. Portez des gants de protection pour sortir l'appareil de son emballage et pour le déplacer, car vous risquez de vous blesser les mains sur les ergots ou les arêtes des autres pièces.
- Veiller à éliminer le matériel d'emballage en toute sécurité. Le matériel d'emballage (clous et autres pièces en métal ou en bois) peut provoquer des blessures.

- La base et les fixations de l'appareil extérieur doivent être vérifiées régulièrement pour éviter qu'elles ne se desserrent, se fissurent ou subissent d'autres dommages. Si ces défauts ne sont pas corrigés, l'appareil peut tomber et provoquer des dommages ou des blessures.
- Ne pas nettoyer le climatiseur à l'eau au risque de provoquer un choc électrique.
- Serrer les écrous évasés, conformément aux spécifications, à l'aide d'une clé dynamométrique. Si les écrous sont trop serrés, ils peuvent se casser après un certain temps et provoquer une fuite de réfrigérant.

1.3. Avant l'installation électrique

⚠ Précaution :

- Veiller à installer des coupe-circuits. Dans le cas contraire, un choc électrique peut se produire.
- Pour les lignes électriques, utiliser des câbles standard de capacité suffisante. Dans le cas contraire, un court-circuit, une surchauffe ou un incendie peut se produire.
- Lors de l'installation des lignes électriques, ne pas mettre les câbles sous tension. Si les connexions sont desserrées, les câbles peuvent se rompre et provoquer une surchauffe ou un incendie.

- Veiller à mettre l'appareil à la terre. Ne pas relier le fil de terre aux conduites de gaz ou d'eau, aux paratonnerres ou aux lignes de terre téléphoniques. Une mise à la terre incorrecte de l'appareil peut provoquer un choc électrique.
- Utiliser des coupe-circuits (disjoncteur de fuite à la terre, interrupteur d'isolement (fusible +B) et disjoncteur à boîtier moulé) à la capacité spécifiée. Si la capacité du coupe-circuit est supérieure à celle spécifiée, une défaillance ou un incendie peut se produire.

1.4. Avant la marche d'essai

⚠ Précaution :

- Activer l'interrupteur principal au moins 12 heures avant la mise en fonctionnement de l'appareil. L'utilisation de l'appareil juste après sa mise sous tension peut endommager sérieusement les pièces internes. Laisser l'interrupteur activé pendant la période d'utilisation.
- Avant d'utiliser l'appareil, vérifier que tous les panneaux, toutes les protections et les autres pièces de sécurité sont correctement installés. Les pièces tournantes, chaudes ou à haute tension peuvent provoquer des blessures.

- Ne pas toucher les interrupteurs les mains humides au risque de provoquer un choc électrique.
- Ne pas toucher les tuyaux de réfrigérant les mains nues lors de l'utilisation. Les tuyaux de réfrigérant sont chauds ou froids en fonction de l'état du réfrigérant qu'ils contiennent. Toucher les tuyaux peut provoquer des brûlures ou des gelures.
- A la fin de l'utilisation de l'appareil, attendre au moins cinq minutes avant de désactiver l'interrupteur principal. Dans le cas contraire, une fuite d'eau ou une défaillance peut se produire.

1.5. Utilisation de climatiseurs utilisant le réfrigérant R32

⚠ Précaution :

- Utiliser le cuivre phosphoreux C1220, pour des tuyaux sans soudure en cuivre et en alliage de cuivre, pour raccorder les tuyaux de réfrigérant. Vérifier que l'intérieur des tuyaux est propre et dépourvu de tout agent nocif tel que des composés sulfuriques, des oxydants, des débris ou des saletés. Utiliser des tuyaux d'épaisseur spécifiée. (Se reporter à la 4.1.). Respecter les instructions suivantes en cas de réutilisation de tuyaux de réfrigérant R22 existants.
 - Remplacer les écrous évasés existants et évaser de nouveau les sections évasées.
 - Ne pas utiliser de tuyaux fins. (Se reporter à la 4.1.)
- Stocker à l'intérieur les tuyaux à utiliser pendant l'installation et couvrir les deux extrémités jusqu'au processus de brasage. (Laisser les joints de coude, etc. dans leur emballage.) L'infiltration de poussières, de débris ou d'humidité dans les tuyaux de réfrigérant peut affecter la qualité de l'huile ou endommager le compresseur.
- Appliquer une petite quantité d'huile ester, éther ou alkylbenzène comme huile réfrigérante sur les sections évasées. Le mélange d'huile minérale et d'huile réfrigérante peut affecter la qualité de l'huile.

- L'entretien sera effectué exclusivement conformément aux recommandations du fabricant.
- Ne pas utiliser un réfrigérant autre que le réfrigérant R32.
- Utiliser les outils suivants spécialement conçus pour une utilisation avec le réfrigérant R32. Les outils suivants sont nécessaires pour utiliser le réfrigérant R32. En cas de questions, contacter le revendeur le plus proche.

Outils (pour R32)	
Collecteur jauge	Outil d'évasement
Tuyau de charge	Jauge de réglage de la taille
Détecteur de fuite de gaz	Adaptateur pour pompe à vide
Clé dynamométrique	Echelle électronique de charge de réfrigérant

- Veiller à utiliser les outils adaptés. L'infiltration de poussières, de débris ou d'humidité dans les tuyaux de réfrigérant peut affecter la qualité de l'huile réfrigérante.

2. Emplacement pour l'installation

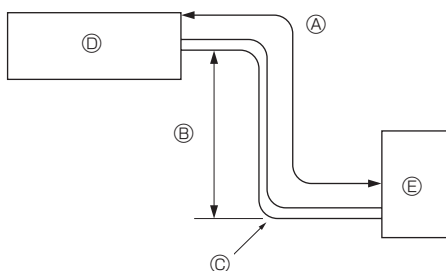


Fig. 2-1

2.1. Tuyaux de réfrigérant (Fig. 2-1)

- ▶ Vérifier que la différence de hauteur entre les appareils intérieur et extérieur, la longueur du tuyau de réfrigérant et le nombre de coudes permis dans le tuyau se situent au sein des limites reprises dans le tableau ci-dessous.

Modèles	Ⓐ Longueur du tuyau (un sens)	Ⓑ Différence de hauteur	Ⓒ Nombre de coudes (un sens)
M100	Max. 55 m	Max. 30 m	Max. 15
M125/140	Max. 65 m	Max. 30 m	Max. 15

- Les spécifications concernant la différence d'élevation s'appliquent à toutes dispositions des appareils intérieurs et extérieurs, sans tenir compte de celui qui est le plus élevé.

- Ⓐ Appareil intérieur
- Ⓔ Appareil extérieur

2. Emplacement pour l'installation

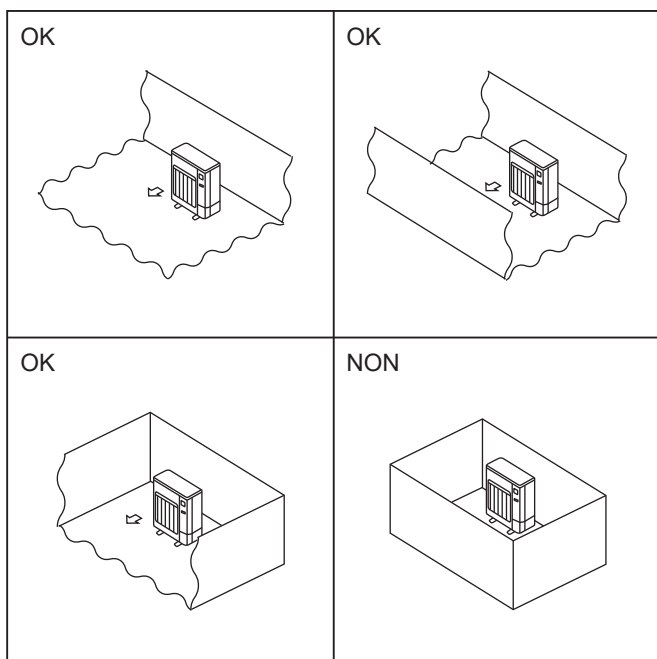


Fig. 2-2

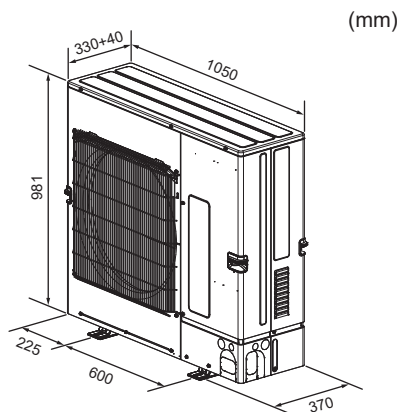


Fig. 2-3

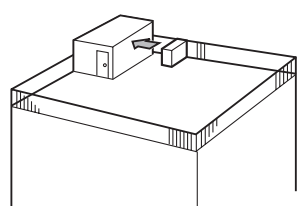


Fig. 2-4

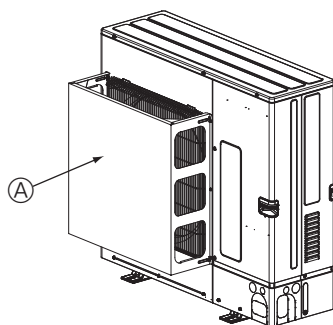


Fig. 2-5

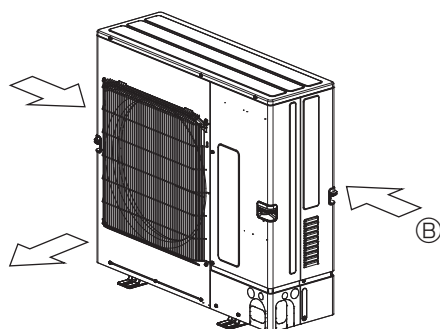


Fig. 2-6

2.2. Sélection de l'emplacement d'installation de l'appareil extérieur

Le R32 est plus lourd que l'air, tout comme les autres réfrigérants, et tend donc à s'accumuler à la base (à proximité du sol). Si le R32 s'accumule autour de la base, il peut atteindre une concentration à laquelle il est inflammable, si le local est petit. Pour éviter l'inflammation, il est indispensable d'assurer une ventilation appropriée pour maintenir un environnement de travail sûr. Si une fuite de réfrigérant est constatée dans un local ou une zone où la ventilation est insuffisante, ne pas utiliser de flammes jusqu'à ce que la sécurité de l'environnement de travail soit assurée par une ventilation appropriée.

- Eviter les endroits exposés au rayonnement solaire direct ou à d'autres sources de chaleur.
- Sélectionner un endroit où le bruit de l'appareil n'incommodera pas le voisinage.
- Sélectionner un endroit permettant un accès facile des câbles et tuyaux à la source d'alimentation et à l'appareil intérieur.
- Eviter les endroits exposés à des risques de fuite, d'échappement ou d'accumulation de gaz.
- Ne pas oublier que des gouttes d'eau peuvent couler de l'appareil lors de son utilisation.
- Sélectionner un endroit de niveau pouvant supporter le poids et les vibrations de l'appareil.
- Eviter les endroits où l'appareil peut être recouvert de neige. Dans les zones où les chutes de neige importantes sont prévisibles, certaines précautions (par ex., relever l'emplacement d'installation ou installer une hotte sur l'arrivée d'air) doivent être prises pour éviter que la neige ne bloque l'arrivée d'air ou ne tombe directement dessus. La circulation de l'air risque de diminuer et d'entraîner un dysfonctionnement.
- Eviter les endroits exposés à l'huile, à la vapeur ou au gaz sulfurique.
- Utiliser les poignées de transport (quatre emplacements à gauche, à droite, à l'avant et à l'arrière) de l'appareil extérieur pour le déplacer. Transporter l'appareil par le bas peut provoquer des pincements aux mains ou aux doigts.
- La connexion des tuyaux de réfrigérant doit être accessible aux fins de maintenance.
- Installer l'appareil extérieur à un endroit où l'une des quatre faces au moins est libre, et dans un espace suffisamment grand sans dépressions. (Fig. 2-2)

2.3. Dimensions extérieures (Appareil extérieur) (Fig. 2-3)

2.4. Ventilation et espace de service

2.4.1. Installation à un endroit exposé au vent

Lors de l'installation de l'appareil extérieur sur un toit ou à d'autres endroits non protégés du vent, diriger la sortie d'air de l'appareil vers le côté qui n'est pas directement exposé aux vents forts. Le vent soufflant dans la sortie d'air peut empêcher l'air de circuler normalement et provoquer un dysfonctionnement.

Voici trois exemples de précautions à prendre.

- ① Positionner la sortie d'air vers le mur le plus proche et à environ 500 mm de celui-ci. (Fig. 2-4)
- ② Installer un guidage d'air optionnel si l'appareil est placé dans un endroit où les vents violents d'une tempête, par exemple, pourraient s'engouffrer directement dans la sortie d'air. (Fig. 2-5)
 - Ⓐ Guidage d'air
- ③ Placer l'appareil de sorte que la sortie d'air souffle dans la direction perpendiculaire à celle des vents saisonniers, si celle-ci est connue. (Fig. 2-6)
 - Ⓑ Sens du vent

2.4.2. Lors de l'installation d'un seul appareil extérieur (Voir en dernière page)

Les dimensions minimales sont les suivantes, à l'exception des valeurs Max., indiquant les dimensions maximales.

Utiliser les chiffres pour chaque cas.

- ① Obstacles uniquement à l'arrière (Fig. 2-7)
- ② Obstacles uniquement à l'arrière et au-dessus (Fig. 2-8)
- ③ Obstacles uniquement à l'arrière et sur les côtés (Fig. 2-9)
- ④ Obstacles uniquement à l'avant (Fig. 2-10)
 - * Lors de l'utilisation d'un guidage de sortie d'air en option, le jeu est de 500 mm ou plus.
- ⑤ Obstacles uniquement à l'avant et à l'arrière (Fig. 2-11)
 - * Lors de l'utilisation d'un guidage de sortie d'air en option, le jeu est de 500 mm ou plus.
- ⑥ Obstacles uniquement à l'arrière, sur les côtés et au-dessus (Fig. 2-12)
 - * Ne pas utiliser les guidages de sortie d'air en option pour un débit d'air vers le haut.

2.4.3. Lors de l'installation de plusieurs appareils extérieurs (Voir en dernière page)

Pour M100-140 laisser un espace de 50 mm entre les appareils.

- ① Obstacles uniquement à l'arrière (Fig. 2-13)
- ② Obstacles uniquement à l'arrière et au-dessus (Fig. 2-14)
 - * Ne pas installer côte à côte plus de trois appareils. Espacer également les appareils, comme illustré.
 - * Ne pas utiliser les guidages de sortie d'air en option pour un débit d'air vers le haut.
- ③ Obstacles uniquement à l'avant (Fig. 2-15)
 - * Lors de l'utilisation d'un guidage de sortie d'air en option, le jeu des modèles M100-140 est de 1000 mm minimum.
- ④ Obstacles uniquement à l'avant et à l'arrière (Fig. 2-16)
 - * Lors de l'utilisation d'un guidage de sortie d'air en option, le jeu des modèles M100-140 est de 1000 mm minimum.
- ⑤ Disposition pour un seul appareil parallèle (Fig. 2-17)
 - * Lors de l'utilisation d'un guidage de sortie d'air en option installé pour un débit d'air vers le haut, le jeu est de 1000 mm minimum.
- ⑥ Disposition pour plusieurs appareils parallèles (Fig. 2-18)
 - * Lors de l'utilisation d'un guidage de sortie d'air en option installé pour un débit d'air vers le haut, le jeu est de 1500 mm minimum.
- ⑦ Disposition pour appareils empilés (Fig. 2-19)
 - * Il est possible d'empiler jusqu'à deux appareils.
 - * Ne pas installer côte à côte plus de deux appareils empilés. Espacer également les appareils, comme illustré.

2. Emplacement pour l'installation

2.5. Zone d'installation minimum

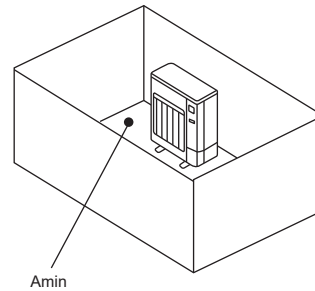
Si un appareil doit obligatoirement être installé dans un espace où les quatre côtés sont fermés ou qui présente des dépressions, il convient de vérifier que l'une des situations suivantes (A, B ou C) est réalisée.

Remarque : Ces contre-mesures sont destinées à assurer la sécurité, non pas à garantir les spécifications.

A) Espace d'installation suffisant et sûr (zone d'installation minimum A_{min}).

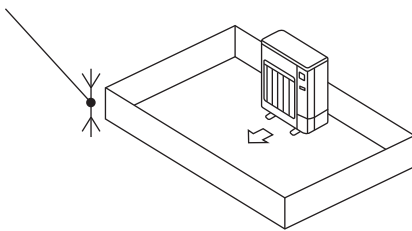
Installer dans un espace dont la zone d'installation est égale ou supérieure à A_{min} , en fonction de la quantité de réfrigérant M (réfrigérant chargé en usine + réfrigérant ajouté sur site).

M [kg]	A_{min} [m ²]
1,0	12
1,5	17
2,0	23
2,5	28
3,0	34
3,5	39
4,0	45
4,5	50
5,0	56
5,5	62
6,0	67
6,5	73
7,0	78
7,5	84

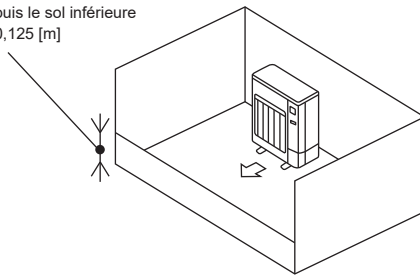


B) Installer dans un espace dont la hauteur de dépression est de $\leq 0,125$ [m].

Hauteur depuis le sol inférieure ou égale à 0,125 [m]



Hauteur depuis le sol inférieure ou égale à 0,125 [m]

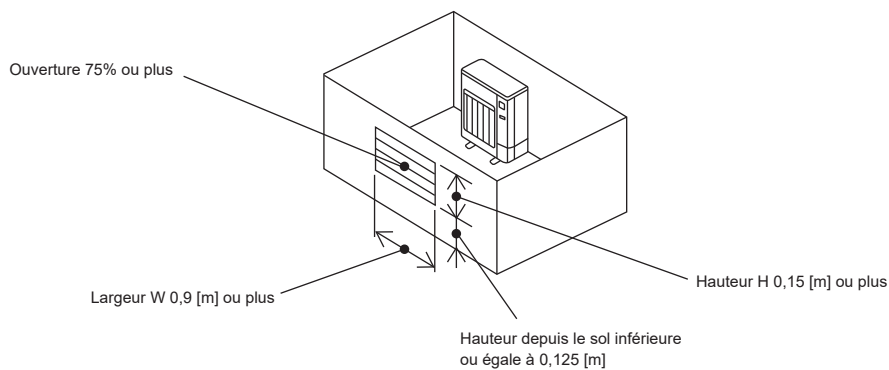


C) Créer une zone de ventilation ouverte adéquate.

S'assurer que la largeur de la zone ouverte est égale ou supérieure à 0,9 [m] et sa hauteur égale ou supérieure à 0,15 [m].

Cependant, la hauteur entre le bas de l'espace d'installation et le bord inférieur de la zone ouverte doit être inférieure ou égale à 0,125 [m].

La zone ouverte doit présenter une ouverture d'au moins 75%.



2. Emplacement pour l'installation

■ Appareils intérieurs

Installer dans un local dont la surface au sol est égale ou supérieure à A_{min} , en fonction de la quantité de réfrigérant M (réfrigérant chargé en usine + réfrigérant ajouté sur site).

* Pour la quantité de réfrigérant chargée en usine, se référer à la plaque signalétique ou au manuel d'installation.

Pour la quantité à ajouter sur site, se référer au manuel d'installation.

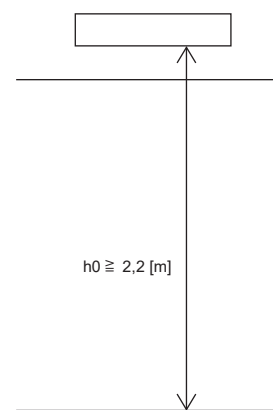
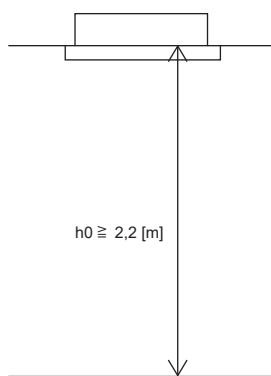
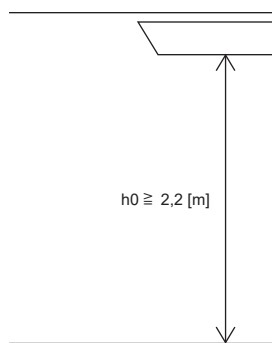
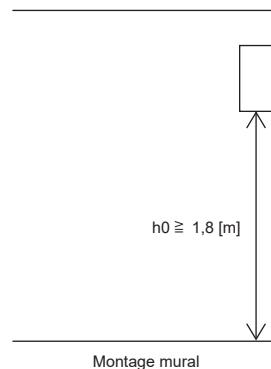
Installer l'appareil intérieur de manière que la hauteur entre le sol et le bas de l'appareil intérieur soit de h_0 ;

pour les appareils muraux : 1,8 m ou plus ;

pour les appareils suspendus au plafond, les cassettes et les appareils dans des faux-plafonds : 2,2 m ou plus.

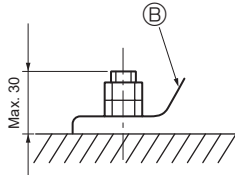
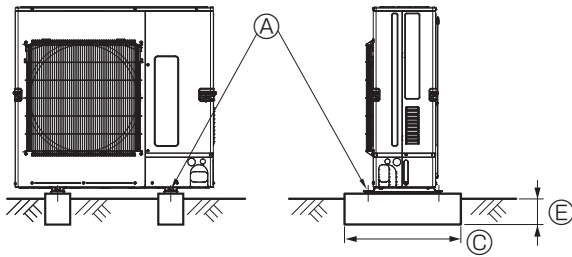
* Il existe des restrictions concernant la hauteur d'installation de chaque modèle ; il est donc nécessaire de lire le manuel d'installation de chaque appareil.

M [kg]	A_{min} [m ²]
1,0	4
1,5	6
2,0	8
2,5	10
3,0	12
3,5	14
4,0	16
4,5	20
5,0	24
5,5	29
6,0	35
6,5	41
7,0	47
7,5	54



3. Installation de l'appareil extérieur

(mm)



- Ⓐ Boulon M10 (3/8 ème de pouce)
- Ⓑ Base
- Ⓒ Aussi long que possible.
- Ⓓ Ventilateur
- Ⓔ Profondément enfoncé dans la terre

- Bien installer l'appareil sur une surface solide et de niveau, de façon à éviter tout bruit de crécelle pendant le fonctionnement. (Fig. 3-1)

<Spécifications de la fondation>

Boulon de fondation	M10 (3/8 ème de pouce)
Epaisseur de béton	120 mm
Longueur des boulons	70 mm
Résistance au poids	320 kg

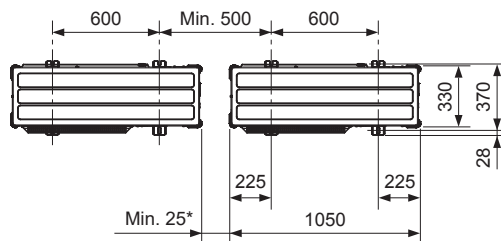
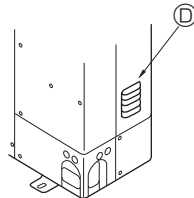
- S'assurer que la longueur des boulons de fondation ne dépasse pas 30 mm par rapport à la surface inférieure de la base.
- Fixer fermement la base de l'appareil avec quatre boulons de fondation M10 placés à des endroits suffisamment robustes.

Installation de l'appareil extérieur

- Ne pas bloquer le ventilateur. Si le ventilateur est bloqué, l'appareil sera ralenti et risque d'être endommagé.
- Pour installer l'appareil, utiliser, si nécessaire et en plus de la base de l'appareil, les orifices d'installation situés à l'arrière pour fixer les câbles, etc. Utiliser des vis autotaraudeuses (ø5 × 15 mm ou moins) et installer l'appareil sur site.

⚠ Avertissement :

- L'appareil doit être solidement installé sur une structure pouvant supporter son poids. Si l'appareil est fixé sur une structure instable, il risque de tomber et de provoquer des dommages ou des blessures.
- L'appareil doit être installé conformément aux instructions pour réduire les risques de dommages liés à des tremblements de terre, des typhons ou des vents violents. Une installation incorrecte peut entraîner la chute de l'appareil et provoquer des dommages ou des blessures.



* Lors de l'installation d'un seul appareil extérieur, le jeu est de 15 mm ou plus.

Fig. 3-1

4. Installation de la tuyauterie du réfrigérant

4.1. Consignes pour appareils utilisant le réfrigérant R32

- Se reporter à la 1.5. pour les consignes non reprises ci-dessous concernant l'utilisation de climatiseurs avec un réfrigérant R32.
- Appliquer une petite quantité d'huile ester, éther ou alkylbenzène comme huile réfrigérante sur les sections évasées.
- Utiliser le cuivre phosphoreux C1220, pour des tuyaux sans soudure en cuivre et en alliage de cuivre, pour raccorder les tuyaux de réfrigérant. Utiliser les tuyaux de réfrigérant dont l'épaisseur est spécifiée dans le tableau ci-dessous. Vérifier que l'intérieur des tuyaux est propre et dépourvu de tout agent nocif tel que des composés sulfuriques, des oxydants, des débris ou des saletés.

Lors du brasage des tuyaux, toujours effectuer un brasage sans oxydation, sinon, le compresseur risque d'être endommagé.

⚠ Avertissement :

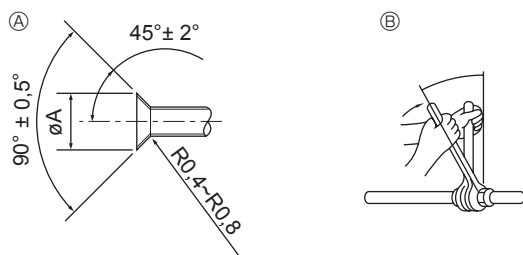
Lors de l'installation, du déplacement ou de l'entretien du climatiseur, n'utilisez que le réfrigérant spécifié (R32) pour remplir les tuyaux de réfrigérant. Ne pas le mélanger avec un autre réfrigérant et faire le vide d'air dans les tuyaux. Si du réfrigérant est mélangé avec de l'air, cela peut provoquer des pointes de pression dans les tuyaux de réfrigérant et entraîner une explosion et d'autres risques.

L'utilisation d'un réfrigérant différent de celui spécifié pour le climatiseur peut entraîner des défaillances mécaniques, des dysfonctionnements du système ou une panne de l'appareil. Dans le pire des cas, cela peut entraîner un obstacle à la mise en sécurité du produit.

Taille du tuyau (mm)	ø6,35	ø9,52	ø12,7	ø15,88	ø19,05	ø22,2	ø25,4	ø28,58
Epaisseur (mm)	0,8	0,8	0,8	1,0	1,0	1,0	1,0	1,0

- Ne pas utiliser de tuyaux plus fins que ceux spécifiés ci-dessus.
- Utiliser des tuyaux 1/2 H ou H si le diamètre est de 19,05 mm ou plus.
- Veiller à assurer une ventilation adéquate afin de prévenir tout risque d'inflammation. De plus, pour prévenir tout risque d'incendie, veiller à ce qu'aucun objet dangereux ou inflammable ne se trouve dans la zone environnante.

4. Installation de la tuyauterie du réfrigérant



- Ⓐ Dimension de l'évasement
Ⓑ Couple de serrage du raccord conique

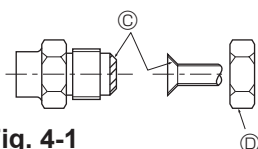


Fig. 4-1

Ⓐ (Fig. 4-1)

Diam. ext. Tuyau en cuivre (mm)	Dimensions évasement Dimensions øA (mm)
ø6,35	8,7 - 9,1
ø9,52	12,8 - 13,2
ø12,7	16,2 - 16,6
ø15,88	19,3 - 19,7
ø19,05	23,6 - 24,0

Ⓑ (Fig. 4-1)

Diam. ext. Tuyau en cuivre (mm)	Diam. ext. raccord conique (mm)	Couple de serrage (N·m)
ø6,35	17	14 - 18
ø6,35	22	34 - 42
ø9,52	22	34 - 42
ø12,7	26	49 - 61
ø12,7	29	68 - 82
ø15,88	29	68 - 82
ø15,88	36	100 - 120
ø19,05	36	100 - 120

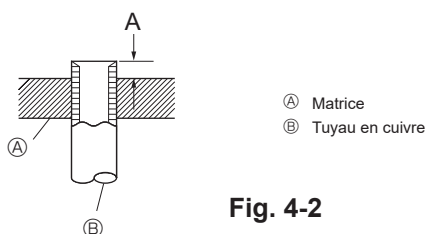


Fig. 4-2

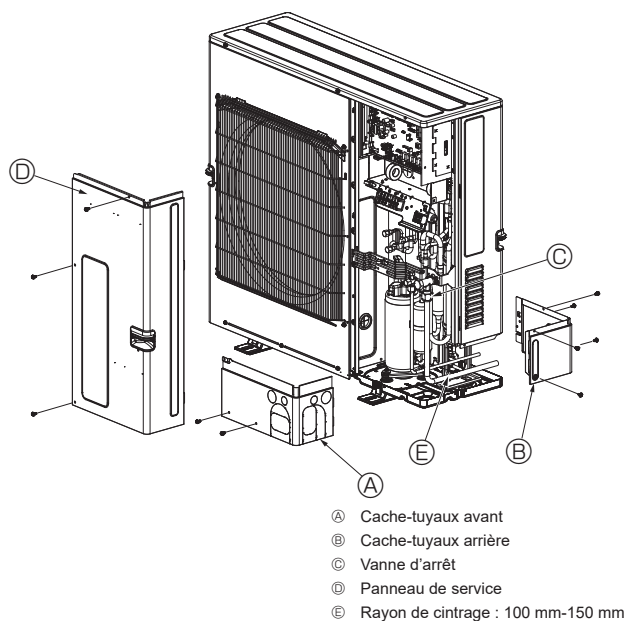


Fig. 4-3

4.2. Connexion des tuyaux (Fig. 4-1)

- En cas d'utilisation de tuyaux en cuivre disponibles sur le marché, envelopper les tuyaux de liquide et de gaz avec de la matière isolante vendue dans le commerce sur le marché (résistant à une chaleur de 100°C ou supérieure et d'une épaisseur de 12 mm ou plus).
- Les parties intérieures du tuyau d'écoulement doivent également être entourées de matière isolante en mousse de polyéthylène (avec une poids spécifique de 0,03 et de 9 mm d'épaisseur ou plus).
- Appliquer un film mince d'huile réfrigérante sur la surface du tuyau et du support du joint avant de serrer l'écrou évasé. Ⓐ
- Utiliser deux clés pour serrer les connexions des tuyaux. Ⓑ
- Lorsque le raccord des tuyaux est terminé, utiliser un détecteur de fuite de gaz ou une solution savonneuse à base d'eau pour s'assurer qu'il n'y ait pas de fuite de gaz.
- Appliquer de l'huile réfrigérante sur toute la surface évasée du fond. Ⓒ
- Utiliser les écrous évasés correspondant aux tailles de tuyaux suivantes. Ⓓ

Côté gaz	Diamètre du tuyau (mm)	ø15,88
Côté liquide	Diamètre du tuyau (mm)	ø9,52

- Veiller à ne pas rompre les tuyaux lors de leur courbure. Des rayons de courbure compris entre 100 mm à 150 mm suffisent.
- Vérifier que les tuyaux ne touchent pas le compresseur. Des vibrations ou des bruits anormaux pourraient se produire.

- Raccorder les tuyaux en commençant par l'appareil intérieur. Serrer les écrous évasés à l'aide d'une clé dynamométrique.
- Évaser les conduits de liquide et de gaz, puis appliquer un film mince d'huile réfrigérante (application sur site).
- Si un procédé d'étanchéité traditionnel est utilisé pour les tuyaux, se reporter au tableau 1 pour l'évasement des tuyaux de réfrigérant R32. La jauge de réglage de la taille peut être utilisée pour confirmer les mesures A.

Tableau 1 (Fig. 4-2)

Diam. ext. Tuyau en cuivre (mm)	A (mm)	
	Outil d'évasement pour le R32	Outil d'évasement pour le R22-R407C
	Type embrayage	
ø6,35 (1/4")	0 - 0,5	1,0 - 1,5
ø9,52 (3/8")	0 - 0,5	1,0 - 1,5
ø12,7 (1/2")	0 - 0,5	1,0 - 1,5
ø15,88 (5/8")	0 - 0,5	1,0 - 1,5
ø19,05 (3/4")	0 - 0,5	1,0 - 1,5

4.3. Mise en place des tuyaux de réfrigérant (Fig. 4-3)

Déposer le panneau de service Ⓓ (3 vis), le panneau de protection avant Ⓐ (2 vis) et le panneau de protection arrière Ⓑ (5 vis).

- Effectuer les raccordements des tuyaux de réfrigérant de l'appareil intérieur/extérieur lorsque la vanne d'arrêt de l'appareil extérieur est complètement fermée.
- Faire le vide d'air de l'appareil intérieur et des tuyaux de raccordement.
- Une fois les tuyaux de réfrigérant raccordés, vérifier les éventuelles fuites de gaz dans les tuyaux raccordés et l'appareil intérieur. (Voir 4.4. Test d'étanchéité des tuyaux de réfrigérant.)
- Une pompe à vide haute performance est branchée sur l'orifice de service de la vanne d'arrêt de liquide de façon à maintenir une dépression suffisamment longue (une heure minimum une fois que le relevé -101 kPa (5 Torr)) est atteint pour sécher sous vide l'intérieur des tuyaux. Toujours contrôler le degré de dépression indiqué par le manomètre. Si les tuyaux présentent toujours une certaine humidité, le degré de dépression peut ne pas être atteint suite à une opération de séchage sous vide brève. Suite à l'opération de séchage sous vide, ouvrir complètement les vannes d'arrêt (de liquide et de gaz) de l'appareil extérieur. Ceci permet de relier complètement les circuits de refroidissement des appareils intérieur et extérieur.
 - Si le séchage sous vide est insuffisant, de l'air et de la vapeur d'eau peuvent rester dans les circuits de refroidissement et provoquer une augmentation ou une chute anormale de la pression, une détérioration de l'huile du système de réfrigération, etc. en raison de la présence d'humidité.
 - Faire fonctionner l'appareil sans avoir ouvert les vannes d'arrêt risque d'endommager le compresseur et la vanne de commande.
 - Utiliser un détecteur de fuites ou de l'eau savonneuse pour vérifier les éventuelles fuites de gaz aux sections de raccordement des tuyaux de l'appareil extérieur.
 - Ne pas utiliser le réfrigérant de l'appareil pour faire le vide d'air des tuyaux de réfrigérant.
 - Après avoir utilisé les vannes, resserrer leurs capuchons au couple correct : 20 à 25 N·m (200 à 250 kgf·cm). Si les capuchons sont mal replacés ou resserrés, une fuite de réfrigérant peut se produire. Veiller également à ne pas endommager l'intérieur des capuchons des vannes car leur étanchéité empêche les fuites de réfrigérant.
- Appliquer un agent d'étanchéité sur les extrémités de l'isolation thermique autour des sections de raccordement des tuyaux afin d'empêcher l'eau de pénétrer dans l'isolation thermique.

4. Installation de la tuyauterie du réfrigérant

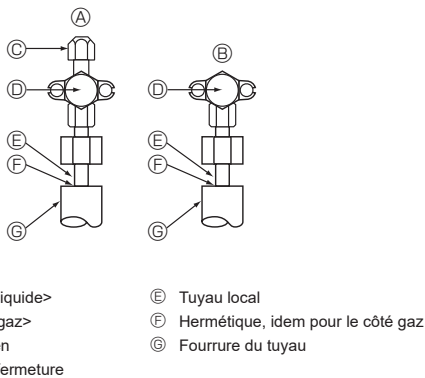


Fig. 4-4

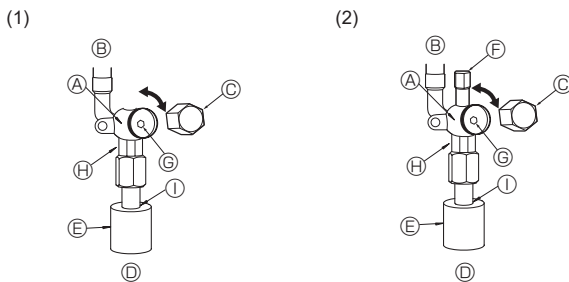


Fig. 4-5

Fig. 4-6

- (A) Vanne
- (B) Côté appareil
- (C) Capuchon
- (D) Côté tuyau local
- (E) Gaine du tuyau
- (F) Orifice pour l'entretien
- (G) Orifice pour la clé
- (H) Côté clé double (Utiliser une clé de ce côté uniquement. Dans le cas contraire, une fuite de liquide pourrait en résulter.)
- (I) Côté joint d'étanchéité (Étancher l'extrémité de l'isolation thermique du côté du raccord du tuyau avec un produit d'étanchéité quelconque pour éviter toute infiltration d'eau dans le matériel d'isolation thermique.)

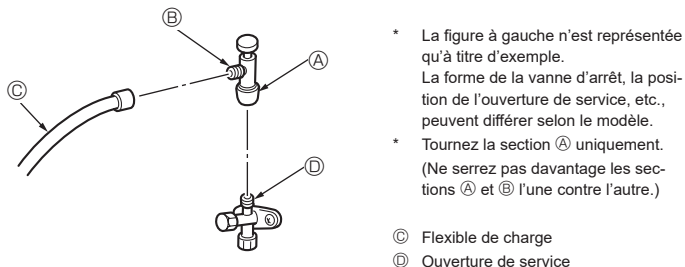


Fig. 4-7

- * La figure à gauche n'est représentée qu'à titre d'exemple. La forme de la vanne d'arrêt, la position de l'ouverture de service, etc., peuvent différer selon le modèle.
- * Tournez la section (A) uniquement. (Ne serrez pas davantage les sections (A) et (B) l'une contre l'autre.)

- (C) Flexible de charge
- (D) Ouverture de service

4.4. Test d'étanchéité des tuyaux de réfrigérant (Fig. 4-4)

- (1) Connecter les outils de test.
 - Vérifier que les vannes d'arrêt (A) et (B) sont fermées et ne pas les ouvrir.
 - Ajouter de la pression dans les tuyaux de réfrigérant par l'orifice de service (C) de la vanne d'arrêt de liquide (A).
- (2) Ne pas ajouter en une seule fois de pression à la pression spécifiée mais progressivement.
 - ① Pressuriser jusqu'à 0,5 MPa (5 kgf/cm²G), attendre cinq minutes et vérifier que la pression ne diminue pas.
 - ② Pressuriser jusqu'à 1,5 MPa (15 kgf/cm²G), attendre cinq minutes et vérifier que la pression ne diminue pas.
 - ③ Pressuriser jusqu'à 4,15 MPa (41,5 kgf/cm²G), puis mesurer la température ambiante et la pression du réfrigérant.
- (3) Si la pression spécifiée se maintient pendant environ une journée sans diminuer, les tuyaux ne présentent pas de fuite.
 - Si la température ambiante varie de 1°C, la pression varie d'environ 0,01 MPa (0,1 kgf/cm²G). Apporter les corrections nécessaires.
- (4) Si la pression diminue à l'étape (2) ou (3), il y a une fuite de gaz. Rechercher l'origine de la fuite de gaz.

4.5. Comment ouvrir la vanne d'arrêt

La méthode d'ouverture de la vanne d'arrêt varie selon le modèle de l'appareil extérieur. Ouvrir les vannes d'arrêt conformément à la méthode appropriée.

- (1) Côté gaz (Fig. 4-5)
 - ① Retirez le bouchon, et tournez la tige de soupape à fond dans le sens antihoraire avec une clé hexagonale de 5 mm. Arrêtez de tourner quand elle frappe la retenue. (ø15,88: env. 13 tours)
 - ② Vérifier que la vanne d'arrêt est complètement ouverte et tourner le capuchon pour le ramener sur sa position d'origine.
- (2) Côté liquide (Fig. 4-6)
 - ① Retirez le bouchon, et tournez la tige de soupape à fond dans le sens antihoraire avec une clé hexagonale de 4 mm. Arrêtez de tourner quand elle frappe la retenue. (ø9,52: env. 10 tours)
 - ② Vérifier que la vanne d'arrêt est complètement ouverte, appuyer sur la poignée et tourner le capuchon pour le ramener sur sa position d'origine.

Les tuyaux de réfrigérant sont entourés d'une couche de protection

- Les tuyaux peuvent être entourés, après ou avant avoir été raccordés, d'une couche de protection allant jusqu'à ø90. Découper la rondelle défonçable du cache-tuyaux en suivant la rainure et envelopper les tuyaux.

Orifice d'entrée du tuyau

- Appliquer du mastic ou un agent d'étanchéité sur l'entrée des tuyaux pour éviter tout espace.

(Si les espaces ne sont pas supprimés, l'appareil risque de fonctionner bruyamment ou d'être endommagé à cause d'une infiltration d'eau et de poussières.)

Précautions à prendre lors de l'utilisation de la soupape de charge (Fig. 4-7)

Ne serrez pas trop l'ouverture de service au moment de l'installer, car vous pourriez déformer le corps de la soupape et des fuites pourraient se produire. Après avoir posé la section (B) dans la direction désirée, tournez la section (A) uniquement et serrez-la.

Ne serrez pas davantage les sections (A) et (B) l'une contre l'autre après avoir serré la section (A).

⚠ Avertissement :

Pendant l'installation de l'appareil, brancher correctement les tuyaux de réfrigérant avant de lancer le compresseur.

4.6. Ajout de produit réfrigérant

- Aucune charge supplémentaire n'est nécessaire pour cet appareil si la longueur du tuyau ne dépasse pas 30 m.
- Si le tuyau mesure plus de 30 m de long, rajouter du réfrigérant R32 dans l'appareil conformément aux longueurs de tuyaux permises mentionnées dans le tableau ci-dessous.
 - * Une fois l'appareil arrêté, le charger de réfrigérant supplémentaire par la vanne d'arrêt de liquide après avoir vidé les extensions de tuyaux et l'appareil intérieur.
 - Lors de l'utilisation de l'appareil, ajouter du réfrigérant par le clapet de non-retour du gaz à l'aide d'un chargeur de sécurité. Ne pas ajouter de réfrigérant liquide directement par le clapet de non-retour.
 - * Une fois l'appareil chargé de réfrigérant, noter la quantité de réfrigérant ajouté sur l'étiquette de service (collée sur l'appareil).
 - Pour plus d'informations, se reporter à la section "1.5. Utilisation de climatiseurs utilisant le réfrigérant R32".

- L'installation de plusieurs appareils doit se faire avec précaution. Le raccordement à un appareil intérieur défaillant peut entraîner une pression anormalement élevée et altérer sérieusement les performances de l'appareil.
- Ⓞ Appoint de maintenance de R32 : Avant de faire l'appoint de maintenance de R32, il convient de prévenir tout risque d'explosion dû à des étincelles électriques en déconnectant entièrement l'équipement de l'alimentation secteur.

Modèle	Longueur de tuyau autorisée	Différence verticale autorisée	Quantité de charge de réfrigérant ajouté					Ⓞ Quantité maximum de réfrigérant
			31 - 40 m	41 - 50 m	51 - 55 m	56 - 60 m	61 - 65 m	
M100	- 55 m	- 30 m	0,4 kg	0,8 kg	1,0 kg	—	—	4,1 kg
M125, 140	- 65 m	- 30 m	0,4 kg	0,8 kg	1,0 kg	1,2 kg	1,4 kg	5,0 kg

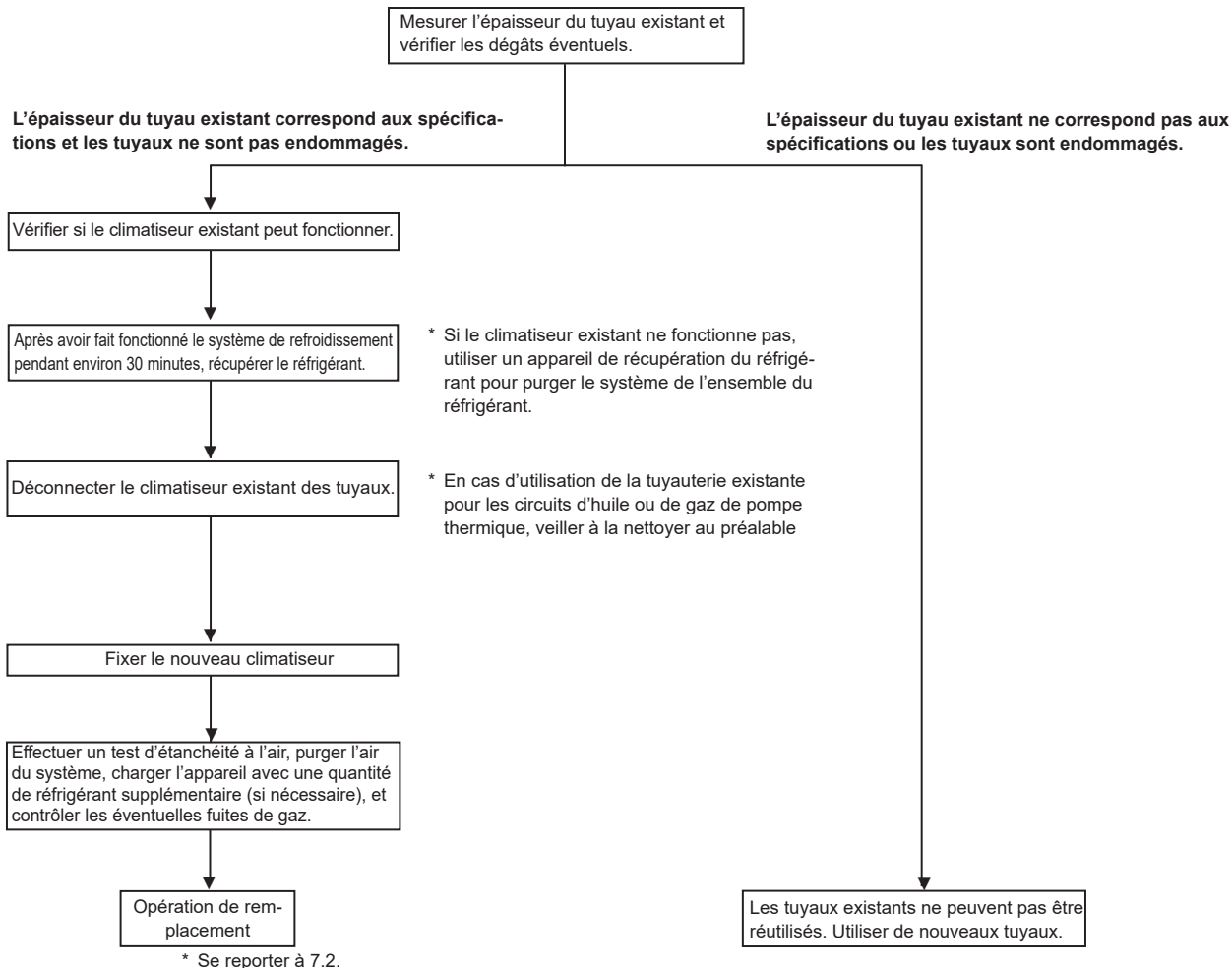
4. Installation de la tuyauterie du réfrigérant

Charge de réfrigérant de remplissage (kg) pour moins de 30 m (Longueur de tuyau sans charge)

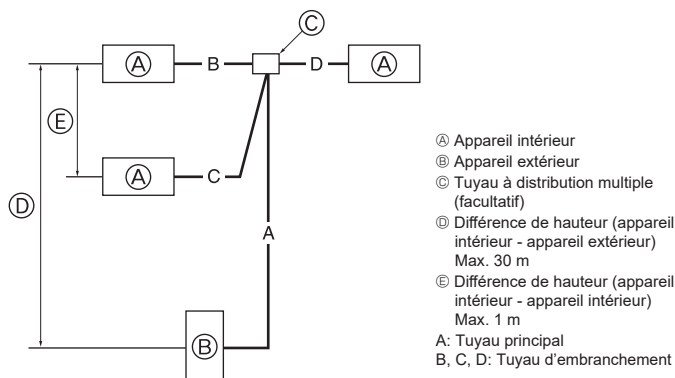
Appareil extérieur	5 m maximum	6 - 10 m	11 - 15 m	16 - 20 m	21 - 25 m	26 - 30 m
M100	2,0	2,2	2,4	2,6	2,8	3,1
M125, 140	2,6	2,8	3,0	3,2	3,4	3,6

4.7. Précautions à prendre lors de la réutilisation de tuyaux de réfrigérant existants R22

- Se reporter à l'organigramme ci-dessous pour déterminer si les tuyaux existants peuvent être utilisés et si un déshydrateur-filtre est nécessaire.
- Si le diamètre des tuyaux existants est différent de celui spécifié, se reporter aux données technologiques pour savoir si les tuyaux peuvent être utilisés.



<Limites d'installation du tuyau de réfrigérant >



M100 : $A+B+C (+D) \leq 55$ m
 M125, 140 : $A+B+C (+D) \leq 65$ m
 * "D" correspond à triple.

Fig. 4-8

4.8. Pour combinaison double/triple (Fig. 4-8)

- Si cet appareil est utilisé dans un système "MULTI-SPLIT", installer le tuyau de réfrigérant en tenant compte des restrictions indiquées sur le schéma de gauche. En outre, si les restrictions ne sont pas respectées ou si des appareils intérieurs et extérieurs sont combinés, se reporter aux instructions d'installation de l'appareil intérieur pour plus de détails.

Appareil extérieur	Longueur de tuyau maximale autorisée A+B+C+D	B ou C ou D	Longueur de tuyau sans la charge A+B+C+D
M100	55 m maximum	20 m maximum	30 m maximum
M125, 140	65 m maximum	20 m maximum	30 m maximum

Appareil extérieur	B-C ou B-D ou C-D	Nombre de coudes
M100-140	8 m maximum	Moins de 15

5. Mise en place du tuyau d'écoulement

Raccordement du tuyau d'écoulement de l'appareil extérieur

Lorsqu'un tuyau d'écoulement s'avère nécessaire, utiliser la douille de drainage ou la cuvette de drainage (en option).

	M100-140
Douille de drainage	PAC-SG61DS-E
Cuvette de drainage	PAC-SH97DP-E

6. Installations électriques

6.1. Appareil extérieur (Fig. 6-1, Fig. 6-2)

- ① Retirer le panneau de service.
- ② Effectuer le câblage conformément aux Fig. 6-1 et 6-2.

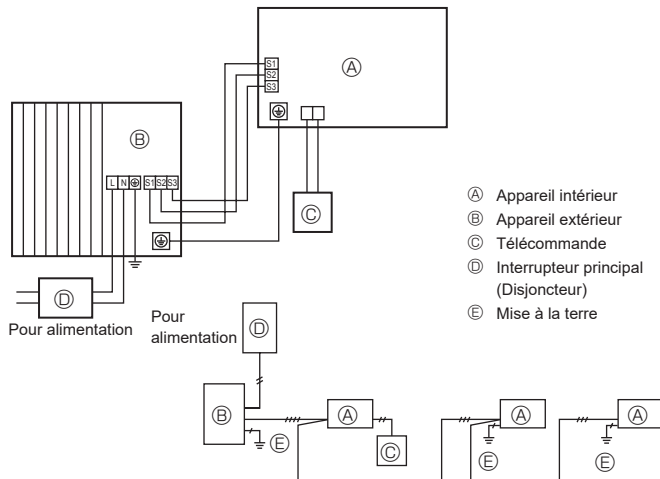


Fig. 6-1

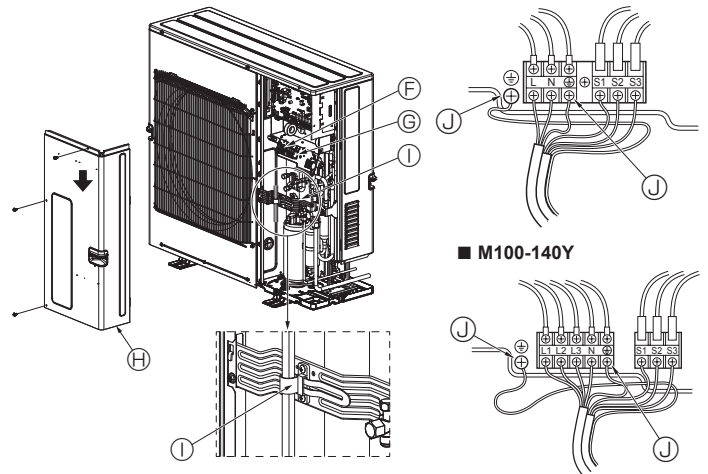


Fig. 6-2

- F Bloc de raccordement
- G Bloc de raccordement intérieur/extérieur (S1, S2, S3)
- H Panneau de service
- I Attache
- J Borne de terre

Remarque :

Si la feuille protectrice du boîtier électrique est retirée pendant l'entretien, veiller à la remettre en place.

⚠ Précaution :

Veillez à installer la conduite N. En l'absence de conduite N, l'appareil risque d'être endommagé.

6. Installations électriques

6.2. Câblage des champs électriques

Modèle de l'appareil extérieur		M100, 125V	M140V	M100, 125, 140Y
Appareil extérieur alimentation		~/N (Monophasé), 50 Hz, 230 V	~/N (Monophasé), 50 Hz, 230 V	3N~ (3 ph 4-câbles), 50 Hz, 400 V
Capacité d'entrée de l'appareil extérieur Interrupteur principal (Disjoncteur)		*1 32 A	40 A	16 A
Câblage No du câble x taille en (mm ²)	Appareil extérieur alimentation	3 x Min. 6	3 x Min. 6	5 x Min. 1,5
	Appareil intérieur-appareil extérieur	*2 3 x 1,5 (Polarisé)	3 x 1,5 (Polarisé)	3 x 1,5 (Polarisé)
	Mise à la terre de l'appareil intérieur/extérieur	*2 1 x Min. 1,5	1 x Min. 1,5	1 x Min. 1,5
	Raccordement de la commande à distance-appareil intérieur	*3 2 x 0,3 (Non polarisé)	2 x 0,3 (Non polarisé)	2 x 0,3 (Non polarisé)
Tension du circuit	Appareil extérieur L-N (Monophasé)		230 V CA	230 V CA
	Appareil extérieur L1-N, L2-N, L3-N (triphase)		230 V CA	230 V CA
	Appareil intérieur-appareil extérieur S1-S2	*4 230 V CA	230 V CA	230 V CA
	Appareil intérieur-appareil extérieur S2-S3	*4 24 V CC	24 V CC	24 V CC
	Raccordement de la commande à distance-appareil intérieur	*4 12 V CC	12 V CC	12 V CC

*1. Utiliser un disjoncteur de fuite à la terre (NV) avec un écartement de 3,0 mm minimum entre les contacts de chaque pôle.

S'assurer que le disjoncteur de fuite de courant est compatible avec les harmoniques les plus élevées.

Veiller à toujours utiliser un disjoncteur de fuite de courant compatible avec les harmoniques les plus élevées car cet appareil est équipé d'un inverseur.

L'utilisation d'un disjoncteur inapproprié peut provoquer un dysfonctionnement de l'onduleur.

*2. 45 m max.

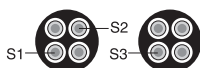
En cas d'utilisation de 2,5 mm², 50 m max.

En cas d'utilisation de 2,5 mm² et S3 séparée, 80 m max.

*3. Un câble de 10 m est fixé à la télécommande.

*4. Les chiffres ne s'appliquent PAS toujours à la mise à la terre.

La borne S3 présente une différence de 24 V CC par rapport à la borne S2. Les bornes S3 et S1 ne sont pas isolées électriquement par le transformateur ou tout autre appareil.



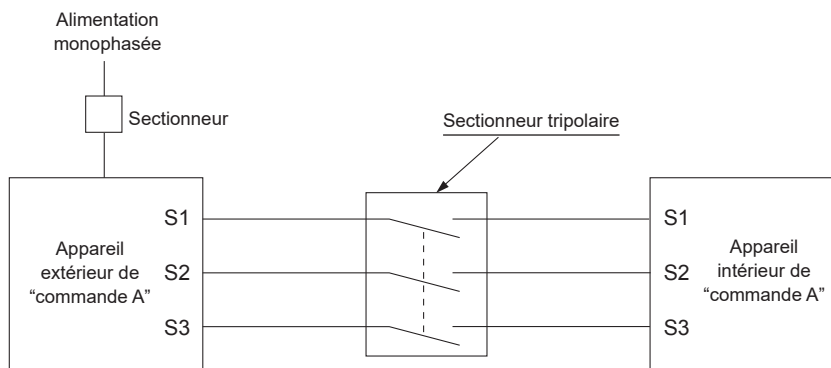
Remarques : 1. La taille des fils doit être conforme aux réglementations nationales et locales pertinentes.

2. Le poids des câbles de connexion entre l'appareil intérieur et l'appareil extérieur doit être égal ou supérieur au poids de câbles flexibles à gaine polychloroprène (conception 60245 IEC 57).

3. Utiliser un câble de terre plus long que les autres cordons pour éviter qu'il ne se débranche lorsqu'il est sous tension.

4. Utiliser des câbles de distribution auto-extinguibles pour le câblage de l'alimentation.

5. Acheminer correctement le câblage de manière à ne pas entrer en contact avec le bord métallique de la feuille ou l'extrémité d'une vis.



⚠ Avertissement :

- S'il s'agit d'un câblage de commande A, un risque de haute tension existe sur la borne S3 en raison d'une conception de circuit électrique dépourvue d'un isolant électrique entre la ligne de commande et la ligne de signal de communication. Par conséquent, mettre l'alimentation principale hors tension lors de l'entretien. Veiller également à ne pas toucher les bornes S1, S2 et S3 lorsque l'alimentation est sous tension. S'il faut placer un sectionneur entre les appareils extérieur et intérieur, en utiliser un de type tripolaire.

Ne jamais effectuer de jonction du câble d'alimentation ou du câble de raccordement intérieur-extérieur car cela peut entraîner une surchauffe, un incendie ou un raccordement défaillant.

Assurez-vous de brancher les câbles de raccordement intérieur-extérieur directement aux appareils (pas de raccordements intermédiaires).

Les raccordements intermédiaires peuvent entraîner des erreurs de communication si de l'eau entre dans les câbles et provoquer une isolation insuffisante à la terre ou un mauvais contact électrique au point de raccordement intermédiaire.

7. Marche d'essai

7.1. Avant la marche d'essai

- ▶ Lorsque l'installation, le tuyautage et le câblage des appareils intérieur et extérieur sont terminés, vérifier l'absence de fuites de réfrigérant, la fixation des câbles d'alimentation et de commande, l'absence d'erreur de polarité et contrôler qu'aucune phase de l'alimentation n'est déconnectée.
- ▶ Utiliser un mégohm-mètre de 500V pour s'assurer que la résistance entre les terminaux d'alimentation électrique et la terre soit au moins de 1 MΩ.
- ▶ Ne pas effectuer ce test sur les terminaux des câbles de contrôle (circuit à basse tension).

⚠ Avertissement :

Ne pas utiliser le climatiseur si la résistance de l'isolation est inférieure à 1 MΩ.

Résistance de l'isolation

Après l'installation ou après la coupure prolongée de la source d'alimentation, la résistance de l'isolation chutera en deçà d'1 MΩ en raison de l'accumulation de réfrigérant dans le compresseur. Il ne s'agit pas d'un dysfonctionnement. Respectez les procédures suivantes.

1. Retirer les câbles du compresseur et mesurer la résistance de l'isolation du compresseur.
2. Si la résistance de l'isolation est inférieure à 1 MΩ, le compresseur est défaillant ou du réfrigérant s'est accumulé dans le compresseur.
3. Après avoir connecté les câbles au compresseur, celui-ci commence à chauffer dès qu'il est sous tension. Après avoir mis sous tension le compresseur pendant les durées indiquées ci-dessous, mesurer de nouveau la résistance de l'isolation.

- La résistance de l'isolation chute en raison de l'accumulation de réfrigérant dans le compresseur. La résistance dépassera 1 MΩ après que le compresseur a chauffé pendant 4 heures. (Le temps mis par le compresseur pour chauffer varie selon les conditions atmosphériques et l'accumulation de réfrigérant.)
 - Pour faire fonctionner le compresseur dans lequel s'est accumulé du réfrigérant, il est nécessaire de le faire chauffer pendant au moins 12 heures afin d'éviter toute défaillance.
4. Si la résistance de l'isolation dépasse 1 MΩ, le compresseur n'est pas défectueux.

⚠ Précaution :

- Le compresseur fonctionnera uniquement si les connexions des phases de l'alimentation électrique sont correctes.
- Mettez l'appareil sous tension au moins 12 heures avant de le faire fonctionner.
- La mise en marche de l'appareil immédiatement après sa mise sous tension pourrait provoquer de sérieux dégâts aux éléments internes. Ne mettez pas l'appareil hors tension pendant la saison de fonctionnement.

▶ Les points suivants doivent être contrôlés également.

- L'appareil extérieur n'est pas défectueux. Les témoins 1 et 2 (LED1 et LED2) sur la carte de commande de l'appareil extérieur clignotent lorsque celui-ci est défectueux.
- Les vannes d'arrêt de liquide et de gaz sont complètement ouvertes.
- Une feuille protectrice recouvre la surface du panneau des commutateurs DIP sur la carte de commande de l'appareil extérieur. Retirer la feuille protectrice pour utiliser aisément les commutateurs DIP.

7.2. Marche d'essai

7.2.1. Utilisation de SW4 dans l'appareil intérieur

SW4-1	ON	Fonctionnement du rafraîchissement
SW4-2	OFF	
SW4-1	ON	Fonctionnement du chauffage
SW4-2	ON	

- * Après avoir effectué l'essai de fonctionnement, placer SW4-1 sur OFF.
- Une fois sous tension, un cliquetis provenant de l'intérieur de l'appareil extérieur se fait entendre. Le détendeur électronique s'ouvre et se ferme. L'appareil n'est pas défectueux.
- Quelques secondes après le démarrage du compresseur, un bruit métallique provenant de l'intérieur de l'appareil extérieur peut retentir. Le bruit provient de la valve de contrôle et s'explique par une différence de pression minimale dans les tuyaux. L'appareil n'est pas défectueux.

Le mode d'essai ne peut pas être modifié via le commutateur DIP SW4-2 lors de la marche d'essai. (Pour ce faire, arrêter l'essai via le commutateur DIP SW4-1. Une fois le mode modifié, reprendre l'essai via le commutateur SW4-1.)

7.2.2. Utilisation de la télécommande

Reportez-vous au manuel d'installation de l'appareil intérieur.

Remarque :

Parfois, la fumée pouvant être générée par l'opération de dégivrage peut ressembler à de la fumée sortant de l'appareil extérieur.

8. Fonctions spéciales

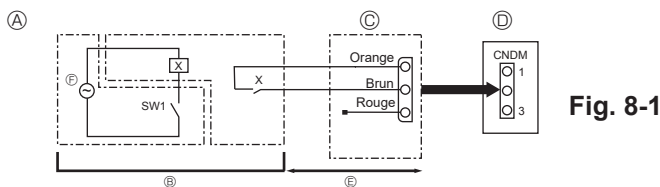


Fig. 8-1

- (A) Exemple de diagramme de circuit (mode à faible bruit) (C) Adaptateur d'entrée externe (PAC-SC36NA-E)
 (B) Disposition sur site (D) Carte de commande de l'appareil extérieur
 X : Relais (E) Max. 10 m
 F : Alimentation pour le relais

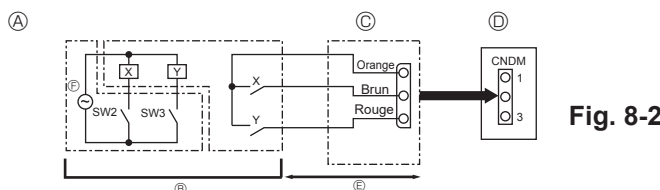


Fig. 8-2

- (A) Exemple de diagramme de circuit (Fonctions spéciales) (C) Adaptateur d'entrée externe (PAC-SC36NA-E)
 (B) Disposition sur site (D) Carte de commande de l'appareil extérieur
 X, Y : Relais (E) Max. 10 m
 F : Alimentation pour le relais

8.1. Mode à faible bruit (modification sur site) (Fig. 8-1)

En apportant la modification suivante, le bruit de fonctionnement de l'appareil extérieur peut être réduit d'environ 3 à 4 dB.

Le mode à faible bruit est activé lorsqu'un temporisateur disponible dans le commerce ou l'entrée par contact d'un commutateur ON/OFF (marche/arrêt) est ajouté au connecteur CNDM (option) sur la carte de commande de l'appareil extérieur.

- La capacité dépend de la température et des conditions extérieures, etc.
- ① Etablir le circuit comme illustré lors de l'utilisation de l'adaptateur d'entrée externe (PAC-SC36NA-E). (Option)
- ② SW7-1 (Carte de commande de l'appareil extérieur) : OFF
- ③ SW1 ON : Mode à faible bruit
SW1 OFF : Fonctionnement normal

8.2. Fonctions spéciales (modification sur site) (Fig. 8-2)

En apportant les modifications suivantes, la consommation électrique peut être réduite de 0-100% par rapport à la consommation normale.

Cette fonction spéciale sera activée lorsqu'une minuterie disponible dans le commerce ou l'entrée par contact d'un commutateur ON/OFF (marche/arrêt) sera ajoutée au connecteur CNDM (en option) sur le panneau du contrôleur de l'appareil extérieur.

- ① Etablir le circuit comme illustré lors de l'utilisation de l'adaptateur d'entrée externe (PAC-SC36NA-E). (Option)
- ② En installant les commutateurs SW7-1 sur le panneau du contrôleur de l'appareil extérieur, la consommation électrique (par rapport à la consommation normale) sera réduite comme indiquée ci-dessous.

	SW7-1	SW2	SW3	Consommation électrique
Fonctions spéciales	ON	OFF	OFF	100%
		ON	OFF	75%
		ON	ON	50%
		OFF	ON	0% (Arrêt)

8. Fonctions spéciales

8.3. Récupération du réfrigérant (Aspiration)

Effectuer les opérations suivantes pour récupérer le réfrigérant en cas de déplacement des appareils intérieur ou extérieur.

① Mettre sous tension (coupe-circuit).

* Lors de la mise sous tension, vérifier que "CENTRALLY CONTROLLED" ne s'affiche pas sur la télécommande. Si "CENTRALLY CONTROLLED" s'affiche, la récupération de réfrigérant ne peut pas s'effectuer normalement.

* Le démarrage de la communication interne-externe prend environ 3 minutes après la mise sous tension (coupe-circuit). Démarrer la purge 3 à 4 minutes après la mise sous tension (coupe-circuit).

② Une fois la vanne d'arrêt de liquide fermée, activer le commutateur SWP sur la carte de commande de l'appareil extérieur. Le compresseur (appareil extérieur) et les ventilateurs (appareils intérieur et extérieur) s'enclenchent et la récupération du réfrigérant commence. Les témoins DEL 1 et 2 de la carte de commande de l'appareil extérieur s'allument.

* N'activer que le commutateur SWP (type bouton-poussoir) si l'appareil est arrêté. Toutefois, la récupération de réfrigérant ne peut pas s'effectuer même si l'appareil est arrêté et le commutateur SWP activé moins de 3 minutes après l'arrêt du compresseur. Attendre 3 minutes après l'arrêt du compresseur et activer de nouveau le commutateur SWP.

③ Étant donné que l'appareil s'arrête automatiquement après 2 à 3 minutes lorsque la collecte du réfrigérant est terminée (DEL1 éteinte, DEL2 allumée), veiller à fermer rapidement le robinet d'arrêt du gaz. Si la DEL1 est allumée et la DEL2 éteinte et que l'appareil extérieur est arrêté, la collecte du réfrigérant ne s'est pas effectuée correctement. Ouvrir complètement le robinet d'arrêt du liquide puis attendre 3 minutes avant de répéter l'étape ②.

* Si la collecte de réfrigérant s'est effectuée normalement (DEL1 éteinte, DEL2 allumée), l'appareil restera à l'arrêt jusqu'à la remise sous tension.

④ Mettre hors tension (coupe-circuit).

* Attention : si le tuyau de rallonge est très long et contient une grande quantité de réfrigérant, il peut être impossible d'effectuer une purge. Lors de l'opération d'évacuation, s'assurer que la basse pression est proche de 0 MPa (jauge).

⚠ Avertissement :

Pendant la purge du réfrigérant, arrêter le compresseur avant de débrancher les tuyaux de réfrigérant. Le compresseur peut éclater si de l'air, etc. pénètre à l'intérieur.

9. Contrôle du système (Fig. 9-1)

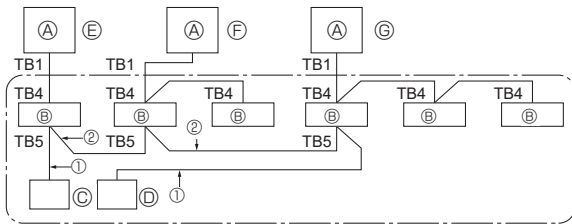
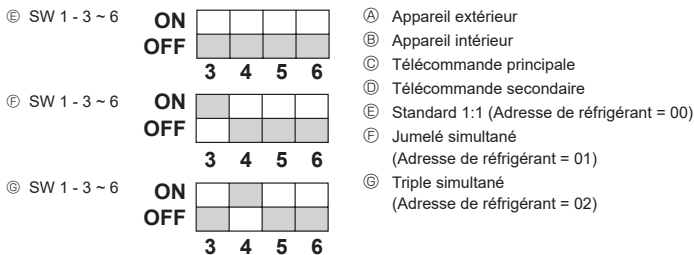


Fig. 9-1

* Régler l'adresse de réfrigérant avec le commutateur DIP de l'appareil extérieur.

① Câblage depuis la télécommande

Ce fil se raccorde à TB5 (bornier de la télécommande) de l'appareil intérieur (non polaire).

② Lors de l'utilisation d'un groupe à système de réfrigérant différent.

Il est possible de contrôler un maximum de 16 systèmes de réfrigérant comme un groupe unitaire avec la télécommande MA plate.

Remarque :

Il n'est pas nécessaire d'effectuer de câblage ② dans les systèmes de réfrigération simples (jumelé/triple).



	Fonction	Fonctionnement selon le réglage du commutateur	
		ON	OFF
Réglages des fonctions du SW1	1 Dégivrage obligatoire	Marche	Normal
	2 Historique des erreurs effacée	Effacer	Normal
	3 Réglage des adresses du système de réfrigérant	Réglages des adresses des appareils extérieurs de 0 à 15	
	4		
	5		
	6		

Inhoud

1. Veiligheidsvoorschriften	1	6. Elektrische aansluitingen	10
2. Plaats	2	7. Proefdraaien	12
3. Het buitenapparaat installeren	6	8. Speciale functies	12
4. Installeren van de koelstofleidingen	6	9. Het systeem controleren (Fig. 9-1)	13
5. Installatie van Draineerbuizen	10		



Opmerking: Dit symbool is alleen van toepassing voor EU-landen.

Dit symbool wordt gebruikt overeenkomstig richtlijn 2012/19/EU, artikel 14 "Informatie voor de gebruikers" en Bijlage IX.

Mitsubishi Electric producten zijn ontwikkeld en gefabriceerd uit eerste kwaliteit materialen. De onderdelen kunnen worden gerecycled en worden hergebruikt. Het symbool betekent dat de elektrische en elektronische onderdelen op het einde van de gebruiksduur gescheiden van het huishoudelijk afval moeten worden ingezameld. Breng deze apparatuur dan naar het gemeentelijke afvalinzamelingspunt.

In de Europese Unie worden elektrische en elektronische producten afzonderlijk ingezameld.

Help ons mee het milieu te beschermen!

⚠ Voorzichtig:

- Zorg ervoor dat geen R32 in de atmosfeer terecht komt.

1. Veiligheidsvoorschriften

- ▶ Lees alle "Veiligheidsvoorschriften" voordat u het apparaat installeert.
- ▶ Stel de aanleverende instantie op de hoogte of vraag om toestemming voordat u het systeem aansluit op het net.
- ▶ PUZ-M•Y is ontworpen voor commerciële en licht industriële toepassingen.
- ▶ Dit apparaat voldoet aan IEC/EN 61000-3-12 (PUZ-M100/125/140V)

⚠ Waarschuwing:

Beschrijft maatregelen die genomen moeten worden om het risico van verwonding of dood van de gebruiker te voorkomen.

⚠ Voorzichtig:

Beschrijft maatregelen die genomen moeten worden om schade aan het apparaat te voorkomen.



: Geeft een onderdeel aan dat geaard moet worden.

⚠ Waarschuwing:

Lees de stickers die op het apparaat zitten zorgvuldig.

⊙ : geeft waarschuwingen en aanwijzingen aan voor het gebruik van R32-koelmiddel.

BETEKENIS VAN SYMBOLEN OP HET APPARAAT

	WAARSCHUWING (Brandgevaar)	Dit symbool geldt alleen voor het koelmiddel R32. Het type koelmiddel is te vinden op het typeplaatje van de buitenunit. Als het type koelmiddel R32 is, gebruikt dit apparaat een ontvlambaar koelmiddel. Als er koelmiddel lekt en dit in contact komt met vuur of een warmtebron, ontstaat er een schadelijk gas en bestaat er brandgevaar.
	Lees de BEDIENINGSHANDLEIDING zorgvuldig vóór ingebruikname.	
	Onderhoudsmonteurs zijn verplicht om de BEDIENINGSHANDLEIDING en de INSTALLATIEHANDLEIDING zorgvuldig te lezen vóór ingebruikname.	
	Raadpleeg voor meer informatie de BEDIENINGSHANDLEIDING, de INSTALLATIEHANDLEIDING en dergelijke.	

⚠ Waarschuwing:

- Het apparaat mag niet door de gebruiker zelf worden geïnstalleerd. Vraag een dealer of een erkende installateur om het apparaat te installeren en te repareren. Als het apparaat niet correct wordt geïnstalleerd, kan dit leiden tot waterlekage, elektrische schokken of brand.
- Volg voor installatie en verplaatsing de instructies in de installatiehandleiding en gebruik gereedschap en pijpmateriaal dat speciaal is gemaakt voor gebruik met R32-koelmiddel. Wanneer niet voor R32-koelstof ontworpen pijpdelen worden gebruikt en het apparaat onjuist wordt geïnstalleerd, kunnen de pijpen knappen waardoor schade of letsel kan ontstaan. Daarnaast kunnen waterlekage, elektrische schokken of brand optreden.
- Het apparaat dient volgens de instructies te worden geïnstalleerd om het risico op beschadiging bij een aardbeving of storm te beperken. Een onjuist geïnstalleerd apparaat kan vallen en schade of letsel veroorzaken.
- Het apparaat moet worden geïnstalleerd op een constructie die het gewicht ervan kan dragen. Als het apparaat wordt geïnstalleerd op een instabiele constructie, kan het vallen en schade of letsel veroorzaken.
- Als het apparaat in een kleine ruimte wordt geïnstalleerd, moeten maatregelen worden genomen tegen het weglekken van koelstof. De concentratie weggelekt koelstof in de lucht mag de grenswaarden niet overschrijden. Vraag de dealer wat u tegen het overmatig weglekken van koelstof kunt doen. Als de concentratie koelstof in de lucht te hoog wordt, kan zuurstofgebrek in de ruimte optreden.
- Ventileer de ruimte als er koelstof weglekt wanneer het apparaat in werking is. Als de koelstof in contact komt met vuur, komen giftige gassen vrij.
- De installatie van de elektrische onderdelen moet worden uitgevoerd door een gediplomeerde elektricien in overeenstemming met de lokale regelgeving en de instructies in deze handleiding. Installeer stroomonderbrekers en zorg voor een juiste voedingsspanning. Sluit geen andere apparatuur aan op de voedingsleidingen van de apparaten. Onjuist geïnstalleerde of ongeschikte voedingsleidingen kunnen elektrische schokken of brand veroorzaken.
- Gebruik fosforhoudende, zuurstofarme, naadloze C1220-pijpen van koper of koperlegeringen als koelstofpijpen. Als de pijpen onjuist worden aangesloten, is het apparaat niet goed geaard en kunnen elektrische schokken optreden.
- Dit toestel is bedoeld voor gebruik door deskundige of getrainde gebruikers in winkels, in de lichte industrie en op boerderijen, of voor commercieel gebruik door leken.
- Gebruik uitsluitend de gespecificeerde kabels voor het verbinden. De aansluitingen moeten stevig vastzitten zonder druk op de aansluitpunten. Splijt de kabels nooit voor het bedraden (tenzij in deze handleiding anders wordt aangegeven). Het niet opvolgen van deze aanwijzingen kan leiden tot oververhitting of brand.
- Als de voedingskabel beschadigd is, moet die worden vervangen door de fabrikant, diens serviceverlener of een vergelijkbaar gekwalificeerd persoon, om gevaren te vermijden.
- Installeer het apparaat conform de nationaal geldende regels.
- Het deksel van het aansluitblok van het buitenapparaat moet stevig worden vastgemaakt. Bij onjuiste montage van het deksel kunnen stof en vocht in het apparaat komen, wat een elektrische schok of brand kan veroorzaken.

- Gebruik bij het installeren of verplaatsen van het apparaat uitsluitend de voorgeschreven koelstof (R32) voor het vullen van de koelstofpijpen. Meng de koelstof niet met andere koelstoffen en let erop dat er geen lucht in de pijpen achterblijft. Als de koelstof wordt gemengd met lucht, kan dit een uitzonderlijk hoge druk in de koelstofpijp tot gevolg hebben. Dit kan resulteren in explosiegevaar en andere gevaren. Als er een andere koelstof wordt gebruikt dan de voorgeschreven koelstof, heeft dit mechanische storingen, storingen van het systeem of uitvallen van het apparaat tot gevolg. In het ergste geval kan de veiligheid van het product ernstig in gevaar komen.
- Gebruik uitsluitend door Mitsubishi Electric goedgekeurde accessoires en vraag de dealer of een erkende installateur deze te installeren. Onjuiste installatie van accessoires kan leiden tot waterlekage, elektrische schokken of brand.
- Breng geen wijzigingen aan aan het apparaat. Neem voor reparatie contact op met de dealer. Onjuist uitgevoerde reparaties of wijzigingen kunnen leiden tot waterlekage, elektrische schokken of brand.
- De gebruiker mag nooit proberen het apparaat zelf te repareren of te verplaatsen. Onjuiste installatie van het apparaat kan leiden tot waterlekage, elektrische schokken of brand. Als het apparaat moet worden gerepareerd of verplaatst, neem dan contact op met de dealer of een erkende installateur.
- Controleer na voltooiing van de installatie op koelstoflekage. Als koelstof naar de ruimte lekt en in contact komt met de vlam van een verwarmings- of kookapparaat, komen giftige gassen vrij.
- Gebruik geen middelen om het ontdooiingsproces te versnellen of om te reinigen die niet zijn aanbevolen door de fabrikant.
- Het apparaat moet zich in een kamer bevinden zonder continu functionerende ontstekingsbronnen (zoals open vuur, een functionerend gastoestel of een functionerende elektrische kachel).
- Niet doorboren of verbranden.
- Houd er rekening mee dat koelmiddelen geurloos kunnen zijn.
- ⊙ De leidingen moeten beschermd zijn tegen fysieke schade.
- De aanleg van leidingen moet tot een minimum worden beperkt.
- Er moet worden voldaan aan de nationale gasverordeningen.
- Blokkeer geen van de vereiste ventilatie-openingen.
- ⊙ Gebruik geen lage-temperatuurlegering bij het solderen van de koelleidingen.
- ⊙ Zorg bij het uitvoeren van soldeerwerkzaamheden dat de ruimte goed geventileerd is. Houd gevaarlijke en ontvlambare materialen uit de buurt. Wanneer u werkzaamheden in een kleine of afgesloten ruimte of een vergelijkbare plaats verricht, dient u vooraf te controleren of er geen koelmiddel is gelekt. Als koelmiddel lekt en zich verzamelt, kan het ontvlammen of kunnen er giftige gassen ontsnappen.
- ⊙ Bewaar het apparaat in een goed geventileerde ruimte waarvan de afmetingen overeenkomen met het oppervlak dat voor gebruik is voorgeschreven.
- ⊙ Houd gastoestellen, elektrische verwarmingstoestellen en andere brandhaarden (ontstekingsbronnen) uit de buurt van de plaats waar installatie-, reparatie- en andere werkzaamheden aan de airconditioner worden uitgevoerd. Als koelmiddel met vuur in contact komt, komen er giftige gassen vrij.
- ⊙ Rook niet bij werkzaamheden en vervoer.

nl

1. Veiligheidsvoorschriften

1.1. Voor de installatie

⚠ Voorzichtig:

- Gebruik het apparaat niet in bijzondere omgevingen. Installeer de airconditioner niet in ruimtes waarin deze wordt blootgesteld aan stoom, vluchtige olie (inclusief machine-olie) of zwavelgas, gebieden met een zout klimaat zoals de kust of gebieden waar het apparaat kan worden bedekt door sneeuw, omdat hierdoor de prestaties aanzienlijk kunnen verminderen en schade kan ontstaan aan de interne onderdelen.
- Installeer het apparaat niet in ruimtes waar brandbare gassen worden geproduceerd of kunnen lekken, stromen of samenstromen. Ophoping van brandbare gassen rond het apparaat kan leiden tot brand of een explosie.

1.2. Voor de installatie (verplaatsing)

⚠ Voorzichtig:

- Wees uitermate voorzichtig bij het vervoeren of installeren van de behuizingen. Het apparaat dient door twee of meer personen te worden getild, aangezien het 20 kg of meer weegt. Til het apparaat niet op aan de verpakingsbanden. Draag beschermende handschoenen als u de behuizing uit de verpakking haalt en bij het vervoeren ervan, omdat u uw handen kunt bezeren aan de ventilatoren, de randen of andere delen.
- Zorg dat het verpakkingsmateriaal op een veilige manier wordt weggevoerd. Verpakkingsmaterialen zoals klemmen en andere metalen of houten onderdelen kunnen snijwonden of ander letsel veroorzaken.

1.3. Voor de installatie van de elektrische bedrading

⚠ Voorzichtig:

- Installeer stroomonderbrekers. Als er geen stroomonderbrekers worden geïnstalleerd, kunnen elektrische schokken optreden.
- Gebruik voor de voedingsleidingen standaardkabels met voldoende capaciteit. Te lichte kabels kunnen kortsluiting, oververhitting of brand veroorzaken.
- Oefen bij de installatie van de voedingsleidingen geen trekkracht uit op de kabels. Als de aansluitingen loszitten, kunnen de kabels loskomen of breken en oververhitting of brand veroorzaken.

1.4. Voor het proefdraaien

⚠ Voorzichtig:

- Zet de netspanningsschakelaar ten minste 12 uur voordat u het apparaat gaat gebruiken aan. Als u het apparaat direct na het aanzetten van de netspanningsschakelaar inschakelt, kunnen de interne onderdelen ernstig beschadigd raken. Laat de netspanningsschakelaar altijd aanstaan gedurende het seizoen waarin u het apparaat gebruikt.
- Controleer voordat u begint met proefdraaien of alle panelen, beveiligingen en andere beschermende onderdelen goed zijn geïnstalleerd. Draaiende of warme onderdelen of onderdelen onder hoge spanning kunnen letsel veroorzaken.

1.5. Gebruik van airconditioners met R32-koelstof

⚠ Voorzichtig:

- Gebruik fosforhoudende, zuurstofarme, naadloze C1220-pijpen van koper of koperlegeringen als koelstofpijpen. Controleer of de binnenkant van de pijpen schoon is en vrij van schadelijke stoffen zoals zwavelverbindingen, oxidanten, vuil of stof. Gebruik pijpen van de opgegeven dikte. (Zie 4.1.) Let bij hergebruik van pijpen waarin R22-koelstof heeft gezeten op het volgende.
 - Vervang de bestaande flensmoeren en tromp de aansluitingsoppervlakken opnieuw op.
 - Gebruik geen dunne pijpen. (Zie 4.1.)
- Bewaar de pijpen die voor de installatie zullen worden gebruikt binnenshuis en laat de verzegeling aan beide uiteinden intact tot vlak voor het solderen. (Laat kniestukken, etc. in hun verpakking.) Het binnendringen van stof, vuil of vocht in de koelstofpijpen kan leiden tot achteruitgang van de olie of compressorstoringen.
- Gebruik esterolie, etherolie of alkylbenzeen (in kleine hoeveelheden) als koelolie om de aansluitingsoppervlakken af te dichten. Vermenging van de koelolie met mineraalolie kan leiden tot achteruitgang van de koelolie.

- Het buitenapparaat produceert condens tijdens de verwarmingsfase. Zorg voor afvoer rond het buitenapparaat als dergelijk condensvocht schade kan veroorzaken.
- Houd rekening met geluid en elektrische storingen bij installatie van het apparaat in een ziekenhuis of communicatieruimte. Stroomomzetters, huishoudelijke apparaten, hoogfrequente medische apparatuur en radiocommunicatieapparatuur kunnen storingen in de airconditioner veroorzaken. Omgekeerd kan de airconditioner storingen veroorzaken in medische apparatuur, communicatieapparatuur en de weergave van beeldschermen.

- Controleer de dragende constructie en bevestiging van het buitenapparaat regelmatig op loszitten, scheuren of andere beschadigingen. Als dergelijke problemen niet worden verholpen, kan het apparaat vallen en schade of letsel veroorzaken.
- Gebruik geen water om de airconditioner te reinigen. Hierdoor kunnen elektrische schokken optreden.
- Trek alle flensmoeren aan tot het opgegeven aanhaalmoment met een momentsleutel. Bij overmatig aantrekken kan de flensmoer na enige tijd breken waardoor koelstof kan weglekken.

- Zorg ervoor dat het apparaat goed is geaard. Sluit de aardleiding niet aan op een gas- of waterleiding, bliksemafleider of aardleiding voor de telefoon. Onjuiste aarding van het apparaat kan elektrische schokken veroorzaken.
- Gebruik stroomonderbrekers (aardlekschakelaar, isolatieschakelaar (+B-zekering) en onderbreker met gegoten behuizing) met de opgegeven capaciteit. Het gebruik van stroomonderbrekers met een te hoge capaciteit kan storingen of brand veroorzaken.

- Raak de schakelaars nooit met natte vingers aan. Hierdoor kan een elektrische schok optreden.
- Raak de koelstofpijpen niet met blote handen aan als het apparaat in werking is. De koelstofpijpen zijn heet of koud afhankelijk van de toestand van de koelstof. Bij het aanraken van de pijpen kunt u brandwonden of bevriezingen oplopen.
- Wacht nadat het apparaat is uitgeschakeld ten minste vijf minuten voordat u de netspanningsschakelaar uitzet. Eerder uitzetten kan waterlekage of storingen veroorzaken.

- Het onderhoud moet uitsluitend worden uitgevoerd conform de aanbevelingen van de fabrikant.
- Gebruik uitsluitend R32-koelstof.
- Gebruik gereedschap dat speciaal is ontworpen voor gebruik met R32-koelstof. Het volgende gereedschap is vereist. Neem voor vragen contact op met de dichtstbijzijnde dealer.

Gereedschap (voor R32)	
Verdeelventiel	Optrompgereedschap
Vulslang	Maatafstemmingsmeter
Gaslekdetector	Vacuümpompadapter
Momentsleutel	Elektronische koelstofdrukmeter

- Gebruik uitsluitend de juiste gereedschappen. Het binnendringen van stof, vuil of vocht in de koelstofpijpen kan leiden tot achteruitgang van de koelolie.

2. Plaats

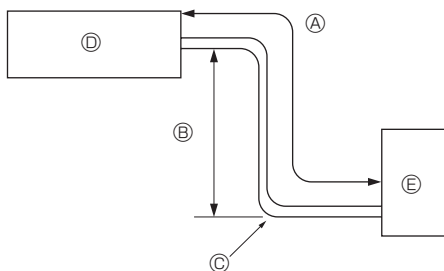


Fig. 2-1

2.1. Koelpijpen (Fig. 2-1)

- ▶ Controleer dat het verschil in hoogte tussen het binnen- en het buitenapparaat, de lengte van de koelpijpen en het aantal bochten in de leidingen binnen de limieten zoals in onderstaande tabel aangegeven vallen.

Modellen	Ⓐ Pijplengte (1 richting)	Ⓑ Hoogteverschil	Ⓒ Aantal bochten (1 richting)
M100	Max. 55 m	Max. 30 m	Max. 15
M125/140	Max. 65 m	Max. 30 m	Max. 15

- De begrenzingen voor het hoogteverschil zijn voor alle opstellingen van binnen- en buitenapparaten bindend, onafhankelijk van het feit welk apparaat hoger opgesteld wordt.

- Ⓓ Binnenapparaat
- Ⓔ Buitenapparaat

2. Plaats

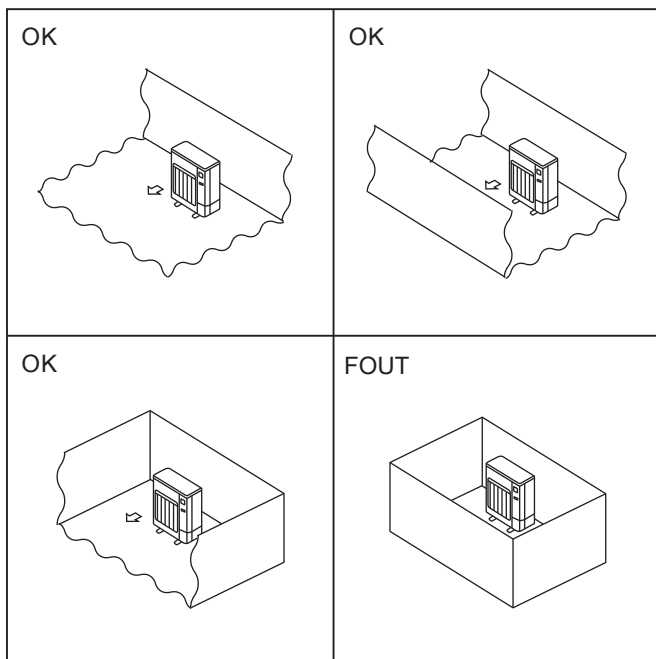


Fig. 2-2

(mm)

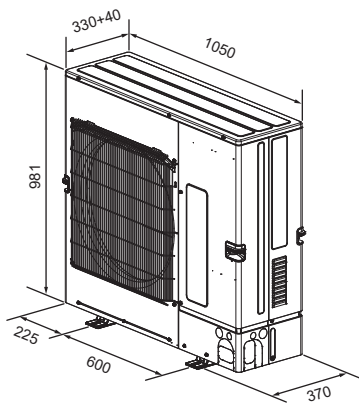


Fig. 2-3

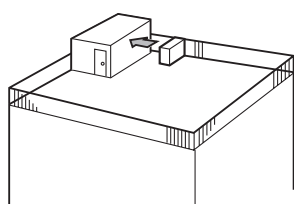


Fig. 2-4

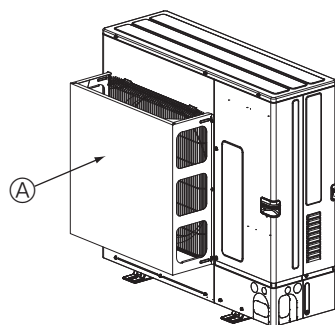


Fig. 2-5

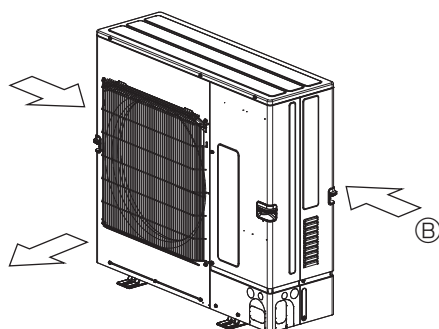


Fig. 2-6

2.2. De installatieplaats voor het buitenapparaat kiezen

- ⊙ R32 is zwaarder dan lucht—en andere koelmiddelen—dus zal het zich ophopen aan de onderkant (vlak bij de vloer). Als R32 zich ophoopt rond de onderkant, kan de concentratie ervan in een kleine ruimte oplopen tot een brandbaar niveau. Ter voorkoming van ontsteking moet een adequate ventilatie zorgen voor een veilige gebruiksomgeving. Als er koelmiddel lekt in een onvoldoende geventileerde ruimte, mag er geen open vuur worden gebruikt totdat adequate ventilatie de gebruiksomgeving heeft verbeterd.
- Vermijd plaatsen die worden blootgesteld aan direct zonlicht of andere warmtebronnen.
- Kies een plaats waar niemand last heeft van het geluid van het apparaat.
- Kies een plaats die eenvoudige aansluiting van de elektrische bedrading en pijpen naar het binnenapparaat mogelijk maakt.
- Vermijd plaatsen waar brandbare gassen worden geproduceerd of kunnen lekken, stromen of samenstromen.
- Houd er rekening mee dat er tijdens de werking water uit het apparaat kan druppelen.
- Kies een vlakke constructie die bestand is tegen het gewicht en de trillingen van het apparaat.
- Vermijd plaatsen waar het apparaat door sneeuw kan worden bedekt. In sneeuwrijke gebieden moeten speciale maatregelen worden getroffen zoals het verhogen van de installatieplaats of het plaatsen van een afdak om te voorkomen dat de sneeuw in of tegen de luchtinlaat terechtkomt. De sneeuw kan de normale luchtstroom bemoeilijken en storingen veroorzaken.
- Vermijd plaatsen die worden blootgesteld aan olie, stoom of zwavelgas.
- Gebruik de tilhandgrepen van het buitenapparaat om het apparaat te verplaatsen. Als het apparaat van onderen wordt beetgepakt, kunnen verwondingen ontstaan aan de handen of vingers.
- De aansluitingen van koelleidingen moeten toegankelijk zijn voor onderhoudswerkzaamheden.
- ⊙ Installeer buitenapparaten op een plaats met minimaal een van de vier zijden open en in een ruimte zonder verlagingsen die voldoende groot is. (Fig. 2-2)

2.3. Buitenafmetingen (Buitenapparaat) (Fig. 2-3)

2.4. Ventilatie en bereikbaarheid

2.4.1. Installatie op winderige plaatsen

Als het buitenapparaat wordt geïnstalleerd op een dak of een andere plaats waar de wind vrij spel heeft, moet de luchtuitlaat van het apparaat zo worden gericht dat deze niet rechtstreeks blootstaat aan krachtige windstoten. Krachtige windstoten die de luchtuitlaat binnendringen kunnen de normale luchtstroom bemoeilijken en storingen veroorzaken. Hieronder volgen drie manieren om het apparaat tegen krachtige windstoten te beschermen.

- ① Richt de luchtuitlaat naar de dichtstbijzijnde muur, op ongeveer 500 mm van de muur. (Fig. 2-4)
- ② Installeer een optionele luchtgeleider als het apparaat wordt geïnstalleerd op een plaats waar krachtige windstoten bij storm etc. rechtstreeks de luchtuitlaat kunnen binnendringen. (Fig. 2-5)
 - Ⓐ Luchtgeleider
- ③ Plaats het apparaat indien mogelijk zo dat de luchtuitlaat in dezelfde richting blaast als de seizoenwinden. (Fig. 2-6)
 - Ⓑ Windrichting

2.4.2. Bij installatie van één buitenapparaat (Raadpleeg de laatste pagina)

De minimale afmetingen zijn als volgt aangegeven, behalve voor Max., hetgeen betekent de Maximale afmetingen.

Raadpleeg voor alle gevallen de getallen.

- ① Alleen obstakels aan de achterzijde (Fig. 2-7)
- ② Alleen obstakels aan de achter- en bovenzijde (Fig. 2-8)
- ③ Alleen obstakels aan de achterzijde en de zijkanten (Fig. 2-9)
- ④ Alleen obstakels aan de voorzijde (Fig. 2-10)
 - * Bij gebruik van een optionele uitlaatluchtgeleider moet de vrije ruimte ten minste 500 mm bedragen
- ⑤ Alleen obstakels aan de voor- en achterzijde (Fig. 2-11)
 - * Bij gebruik van een optionele uitlaatluchtgeleider moet de vrije ruimte ten minste 500 mm bedragen
- ⑥ Alleen obstakels aan de achter- en bovenzijde en de zijkanten (Fig. 2-12)
 - Maak geen gebruik van de optionele luchtgeleiders voor een opwaartse luchtstroom.

2.4.3. Bij installatie van meerdere buitenapparaten (Raadpleeg de laatste pagina)

Laat 50 mm of meer ruimte vrij tussen de apparaten voor M100-140.

- ① Alleen obstakels aan de achterzijde (Fig. 2-13)
- ② Alleen obstakels aan de achter- en bovenzijde (Fig. 2-14)
 - Installeer niet meer dan drie apparaten naast elkaar. Laat bovendien ruimte vrij zoals afgebeeld.
 - Maak geen gebruik van de optionele luchtgeleiders voor een opwaartse luchtstroom.
- ③ Alleen obstakels aan de voorzijde (Fig. 2-15)
 - * Bij gebruik van een optionele uitlaatluchtgeleider moet de vrije ruimte voor de modellen M100-140 ten minste 1000 mm bedragen.
- ④ Alleen obstakels aan de voor- en achterzijde (Fig. 2-16)
 - * Bij gebruik van een optionele uitlaatluchtgeleider moet de vrije ruimte voor de modellen M100-140 ten minste 1000 mm bedragen.
- ⑤ Opstelling met één parallel apparaat (Fig. 2-17)
 - * Bij gebruik van een optionele uitlaatluchtgeleider voor een opwaartse luchtstroom moet de vrije ruimte ten minste 1000 mm bedragen.
- ⑥ Opstelling met meerdere parallelle apparaten (Fig. 2-18)
 - * Bij gebruik van een optionele uitlaatluchtgeleider voor een opwaartse luchtstroom moet de vrije ruimte ten minste 1500 mm bedragen.
- ⑦ Opstelling met boven elkaar geplaatste apparaten (Fig. 2-19)
 - Er kunnen twee apparaten boven elkaar worden geplaatst.
 - Installeer niet meer dan twee boven elkaar geplaatste apparaten naast elkaar. Laat bovendien ruimte vrij zoals afgebeeld.

nl

2. Plaats

©2.5. Minimaal installatie-oppervlak

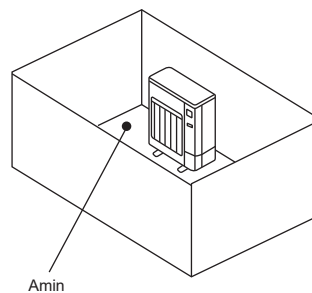
Als de installatie van een apparaat in een ruimte met vier gesloten zijden of met verlagings onontkoombaar is, zorg er dan voor dat er wordt voldaan aan een van de omstandigheden (A, B of C).

Opmerking: Deze tegenmaatregelen zijn slechts ten behoeve van de veiligheid, maar ze garanderen geen optimale prestaties.

A) Zorg voor voldoende installatieruimte (minimaal installatie-oppervlak A_{min}).

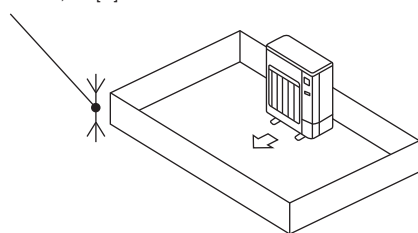
Installeer in een ruimte met een installatie-oppervlak van minimaal A_{min} , overeenkomend met koelmiddelhoeveelheid M (koelmiddel af fabriek + op locatie toegevoegd koelmiddel).

M [kg]	A_{min} [m ²]
1,0	12
1,5	17
2,0	23
2,5	28
3,0	34
3,5	39
4,0	45
4,5	50
5,0	56
5,5	62
6,0	67
6,5	73
7,0	78
7,5	84

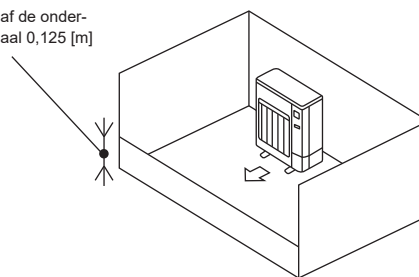


B) Installeer in een ruimte met een verlagingshoogte van $\leq 0,125$ [m].

Hoogte vanaf de onderkant maximaal 0,125 [m]



Hoogte vanaf de onderkant maximaal 0,125 [m]

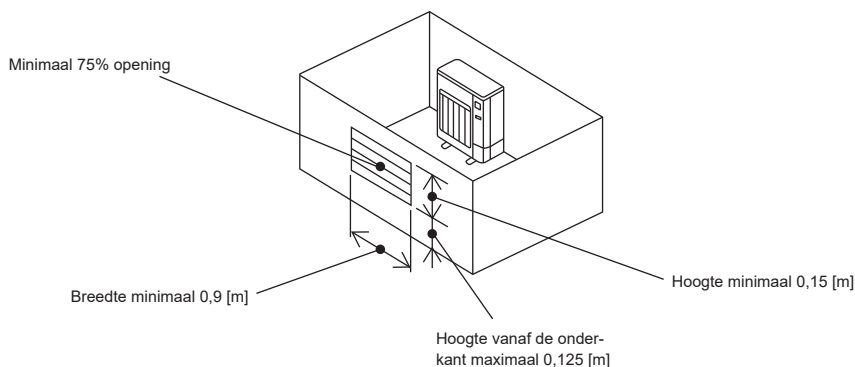


C) Zorg voor een adequate ventilatie-opening.

Zorg ervoor dat de breedte van de ventilatie-opening minimaal 0,9 [m] en de hoogte van de ventilatie-opening minimaal 0,15 [m] is.

De hoogte vanaf de onderkant van de installatieruimte tot de onderrand van de ventilatie-opening mag echter maximaal 0,125 [m] zijn.

De ventilatie-opening moet minimaal 75% opening bieden.



2. Plaats

■ Binnenapparaten

Installeer in een ruimte met een vloeroppervlak van minimaal A_{min} , overeenkomend met koelmiddelhoeveelheid M (koelmiddel af fabriek + op locatie toegevoegd koelmiddel).

- * Raadpleeg voor de hoeveelheid koelmiddel af fabriek het naamplaatje met technische gegevens of de installatiehandleiding.
- Raadpleeg voor de op locatie toe te voegen hoeveelheid de installatiehandleiding.

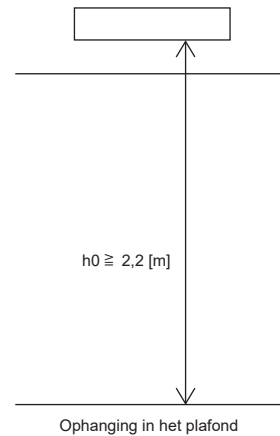
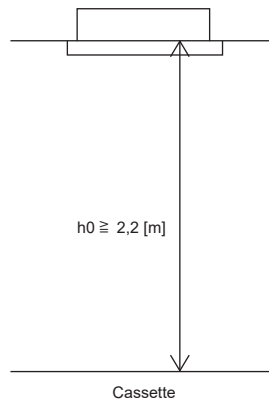
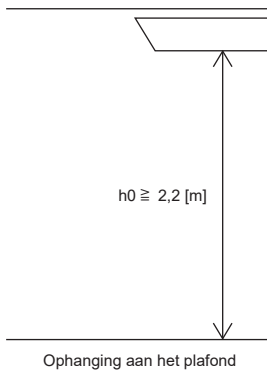
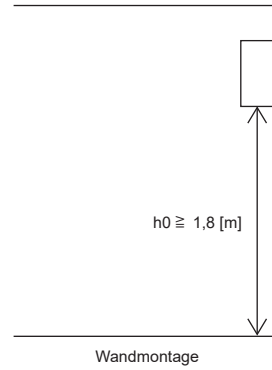
Installeer het binnenapparaat dusdanig dat de hoogte van de vloer tot de onderkant van het binnenapparaat h_0 is;

voor wandmontage: minimaal 1,8 m

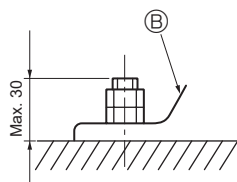
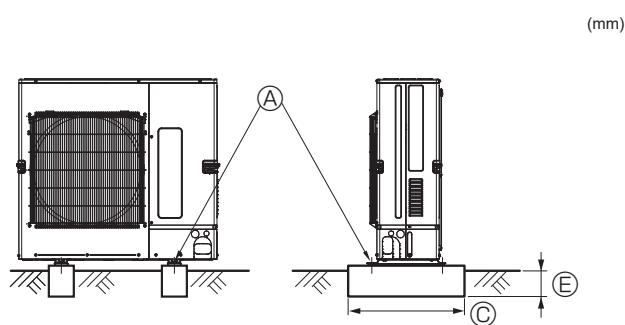
voor ophanging aan het plafond, cassette en ophanging in het plafond: minimaal 2,2 m.

- * Elk model kent beperkingen ten aanzien van de installatiehoogte; raadpleeg de installatiehandleiding voor het desbetreffende apparaat.

M [kg]	A_{min} [m ²]
1,0	4
1,5	6
2,0	8
2,5	10
3,0	12
3,5	14
4,0	16
4,5	20
5,0	24
5,5	29
6,0	35
6,5	41
7,0	47
7,5	54



3. Het buitenapparaat installeren



- Ⓐ M10 (3/8") bout
- Ⓑ Basis
- Ⓒ Zo lang mogelijk.
- Ⓓ Uitstroomopening
- Ⓔ Zet diep in de grond

(mm)

- Zorg ervoor dat de eenheid op een stevig, waterpas oppervlak wordt geïnstalleerd om geratel tijdens het gebruik te voorkomen. (Fig. 3-1)

<Specificaties voor de fundering>

Funderingsbout	M10 (3/8")
Dikte van het beton	120 mm
Lengte van de bout	70 mm
Draagkracht	320 kg

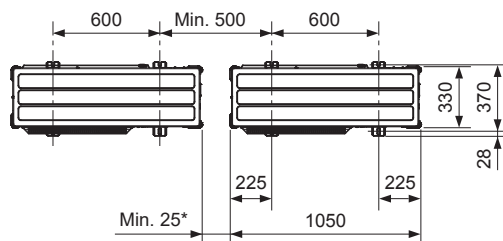
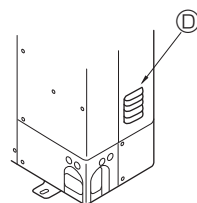
- Zorg dat de lengte van de funderingsbout op een afstand van minder dan 30 mm van de onderkant van de basis komt.
- Zet de basis van de eenheid stevig vast met vier M10-funderingsbouten op een stevige ondergrond.

Installatie van het buitenapparaat

- Laat de uitstroomopening vrij. Als de uitstroomopening wordt geblokkeerd wordt de werking van het apparaat bemoeilijkt, waardoor storingen kunnen ontstaan.
- Gebruik naast de basis van het apparaat de installatieopeningen aan de achterzijde om waar nodig bedrading etc. te bevestigen. Gebruik zelftappende schroeven (ø5 × 15 mm of minder).

⚠ Waarschuwing:

- Het apparaat moet worden geïnstalleerd op een constructie die het gewicht ervan kan dragen. Als het apparaat wordt geïnstalleerd op een instabiele constructie, kan het vallen en schade of letsel veroorzaken.
- Het apparaat dient volgens de instructies te worden geïnstalleerd om het risico op beschadiging bij een aardbeving of storm te beperken. Een onjuist geïnstalleerd apparaat kan vallen en schade of letsel veroorzaken.



* Houd bij de installatie van een enkel buitenapparaat een vrije ruimte van minstens 15 mm aan.

Fig. 3-1

4. Installeren van de koelstofleidingen

4.1. Voorzorgsmaatregelen voor apparaten die gebruikmaken van R32-koelstof

- Zie 1.5. voor niet hieronder vermelde voorzorgsmaatregelen voor airconditioners die gebruikmaken van R32-koelstof.
- Gebruik esterolie, etherolie of alkylbenzeen (in kleine hoeveelheden) als koelolie om de aansluitingsoppervlakken af te dichten.
- Gebruik fosforhoudende, zuurstofarme, naadloze C1220-pijpen van koper of koperlegeringen als koelstofpijpen. Gebruik koelstofpijpen van de in de onderstaande tabel aangegeven dikte. Controleer of de binnenkant van de pijpen schoon is en vrij van schadelijke stoffen zoals zwavelverbindingen, oxidanten, vuil of stof. Gebruik altijd niet-oxiderend soldeer wanneer u de pijpen soldeert, anders raakt de compressor beschadigd.

⚠ Waarschuwing:

Gebruik bij het installeren of verplaatsen van het apparaat uitsluitend de voorgeschreven koelstof (R32) voor het vullen van de koelstofpijpen. Meng de koelstof niet met andere koelstoffen en let erop dat er geen lucht in de pijpen achterblijft.

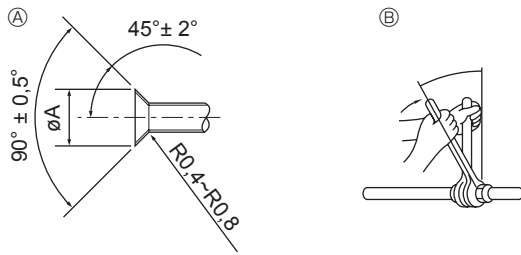
Als de koelstof wordt gemengd met lucht, kan dit een uitzonderlijk hoge druk in de koelstofpijp tot gevolg hebben. Dit kan resulteren in explosiegevaar en andere gevaren.

Als er een andere koelstof wordt gebruikt dan de voorgeschreven koelstof, heeft dit mechanische storingen, storingen van het systeem of uitvallen van het apparaat tot gevolg. In het ergste geval kan de veiligheid van het product ernstig in gevaar komen.

Afmeting pijp (mm)	ø6,35	ø9,52	ø12,7	ø15,88	ø19,05	ø22,2	ø25,4	ø28,58
Dikte (mm)	0,8	0,8	0,8	1,0	1,0	1,0	1,0	1,0

- Gebruik geen dünnere pijpen dan hierboven aangegeven.
- Gebruik 1/2 H- of H-leidingen als de diameter 19,05 mm of groter is.
- Zorg voor adequate ventilatie ter voorkoming van ontsteking. Voer ook brandpreventiemaatregelen uit zodat er zich geen gevaarlijke of brandbare objecten in de omgeving bevinden.

4. Installeren van de koelstofleidingen



A) Afsnijmaten tromp
B) Aanhaalmoment flensmoer

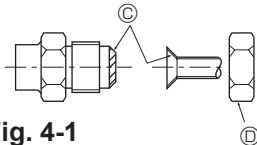


Fig. 4-1

A) (Fig. 4-1)

Buitendiameter koperen pijp (mm)	Afmetingen tromp $\varnothing A$ (mm)
$\varnothing 6,35$	8,7 - 9,1
$\varnothing 9,52$	12,8 - 13,2
$\varnothing 12,7$	16,2 - 16,6
$\varnothing 15,88$	19,3 - 19,7
$\varnothing 19,05$	23,6 - 24,0

B) (Fig. 4-1)

Buitendiameter koperen pijp (mm)	Buitendiameter flensmoer (mm)	Aanhaalmoment (N·m)
$\varnothing 6,35$	17	14 - 18
$\varnothing 6,35$	22	34 - 42
$\varnothing 9,52$	22	34 - 42
$\varnothing 12,7$	26	49 - 61
$\varnothing 12,7$	29	68 - 82
$\varnothing 15,88$	29	68 - 82
$\varnothing 15,88$	36	100 - 120
$\varnothing 19,05$	36	100 - 120

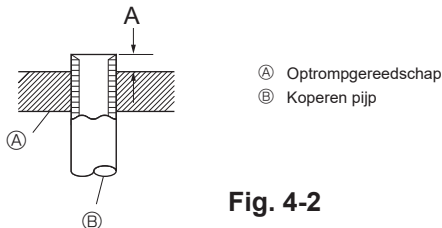
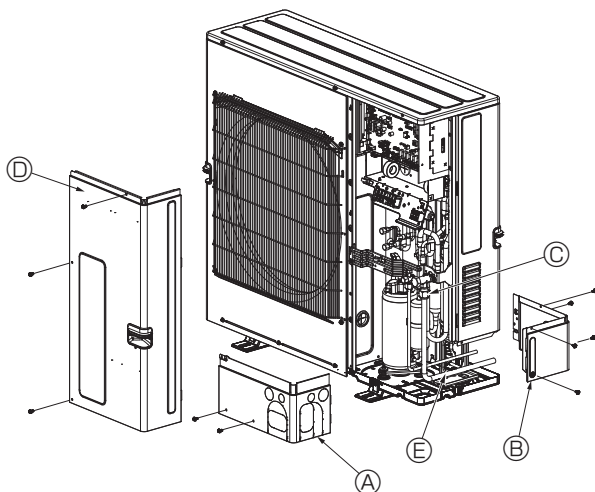


Fig. 4-2



A) Pijpbedekking voor
B) Pijpbedekking achter
C) Afsluitkraan
D) Onderhoudspaneel
E) Buigstraal : 100 mm - 150 mm

Fig. 4-3

4.2. Aansluiten van de pijpen (Fig. 4-1)

- Als u koperen pijpen gebruikt, moet u de vloeistof- en gaspijpen met isolatiemateriaal bekleden (hittebestendig tot 100°C, dikte van 12 mm of meer).
- De delen van de afvoerpijp die binnenshuis lopen, moeten worden bekleden met isolatiemateriaal van polyethyleenschuim (relatieve dichtheid 0,03, dikte 9 mm of meer).
- Doe een dun laagje koelmachineolie op de leiding en het aansluitingsoppervlak voordat u de "flare"-moer vastdraait. A)
- Draai met gebruik van twee pijptangen de aansluitende leidingen vast. B)
- Gebruik, nadat alle aansluitingen gemaakt zijn, een lekkagedetector of zeepsop om te controleren of er gaslekken zijn.
- Breng koelolie aan op de aansluitingsoppervlakken. C)
- Gebruik de flensmoeren voor de volgende pijpafmetingen. D)

Gaszijde	Afmeting leiding (mm)	$\varnothing 15,88$
Vloeistofzijde	Afmeting leiding (mm)	$\varnothing 9,52$

- Let er bij het buigen van de pijpen op dat u deze niet breekt. Een buigstraal van 100 mm tot 150 mm is voldoende.
- Let erop dat de pijpen de compressor niet raken. Hierdoor kunnen ongewone geluiden of trillingen ontstaan.

- Begin met het aansluiten van de pijpen bij het binnenapparaat. Trek de flensmoeren aan met een momentsleutel.
- Tromp de vloeistof- en gaspijpen op en breng een dun laagje koelolie aan op de aansluitingsoppervlakken.
- Als een gewoon pijpafdichtmiddel wordt gebruikt, zie dan Tabel 1 voor het optrompen van R32-koelstofpijpen. Gebruik de maatafstemmingsmeter om de afmetingen A te controleren.

Tabel 1 (Fig. 4-2)

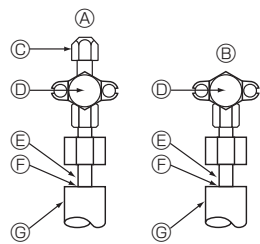
Buitendiameter koperen pijp (mm)	A (mm)	
	Trompgereedschap voor R32	Trompgereedschap voor R22-R407C
	Type koppeling	
$\varnothing 6,35$ (1/4")	0 - 0,5	1,0 - 1,5
$\varnothing 9,52$ (3/8")	0 - 0,5	1,0 - 1,5
$\varnothing 12,7$ (1/2")	0 - 0,5	1,0 - 1,5
$\varnothing 15,88$ (5/8")	0 - 0,5	1,0 - 1,5
$\varnothing 19,05$ (3/4")	0 - 0,5	1,0 - 1,5

4.3. Koelleidingen (Fig. 4-3)

Verwijder het onderhoudspaneel D) (3 schroeven), het deksel aan de voorzijde A) (2 schroeven) en het deksel aan de achterzijde B) (5 schroeven).

- Maak de verbindingen van de koelstofleidingen voor het binnen-/buitenapparaat als het afsluitkraan van het buitenapparaat geheel gesloten is.
- Ontlucht de binnenunit en de verbindingleidingen.
- Controleer na het aansluiten van de koelstofpijpen de pijpen en het binnenapparaat op gaslekage. (Zie 4.4. 'Lucht dichtheid van de koelstofpijpen testen'.)
- Zet een sterke vacuümpomp op de dienstopening van de afsluitkraan en handhaaf nadat u -101 kPa (5 Torr) bereikt het vacuüm voldoende lang (minstens een uur) om de binnenzijde van de pijpen te vacuümdrogen. Controleer de mate van vacuüm altijd op het verdeelventiel. Als er nog vocht in de pijp zit, wordt de mate van vacuüm soms niet bereikt in een korte tijd van vacuüm toepassen. Zet na het vacuümdrogen de afsluitkranen (van zowel vloeistof als gas) voor het buitenapparaat geheel open. Hierdoor worden de koelstofpijpen van binnen- en buitenapparaat volledig met elkaar verbonden.
 - Indien u onvoldoende vacuümdroogt, blijven lucht en waterdamp achter in de koelstofpijpen wat kan leiden tot abnormale stijging van hoge druk, abnormale daling van lage druk, achteruitgang van de koelmachineolie door vocht, etc.
 - Als het apparaat wordt ingeschakeld terwijl de afsluitkranen nog gesloten zijn, zullen de compressor en de regelkraan beschadigd raken.
 - Gebruik een lekdetector of zeepsop om de pijpverbindingen van het buitenapparaat te controleren.
 - Gebruik niet de koelstof uit het apparaat voor het verwijderen van lucht uit de koelstofleidingen.
 - Trek na voltooiing van de procedure de kraandoppen aan tot het juiste aanhaalmoment: 20 tot 25 N·m (200 tot 250 kgf·cm). Als de doppen niet worden teruggeplaatst en aangetrokken, kan koelstoflekage optreden. Let erop dat de binnenzijde van de kraandoppen niet wordt beschadigd, aangezien deze werken als een afdichting die koelstoflekage voorkomt.
- Dicht de uiteinden van het isolatiemateriaal bij de pijpverbindingen af met afdichtmiddel om te voorkomen dat er water onder het isolatiemateriaal doordringt.

4. Installeren van de koelstofleidingen



- Ⓐ Afsluitkraan <vloeistofzijde>
- Ⓑ Afsluitkraan <gaszijde>
- Ⓒ Serviceaansluiting
- Ⓓ Open-/sluitgedeelte
- Ⓔ Plaatselijke leiding
- Ⓕ Afgesloten, idem voor gaszijde
- Ⓖ Pijpafdekking

Fig. 4-4

(1)

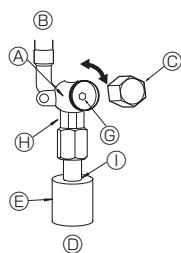


Fig. 4-5

(2)

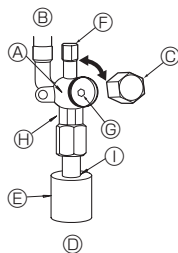


Fig. 4-6

- Ⓐ Kraan
- Ⓑ Zijde van het apparaat
- Ⓒ Kap
- Ⓓ Zijde van de plaatselijke leiding
- Ⓔ Pijpbedekking
- Ⓕ Serviceaansluiting
- Ⓖ Sleutelgat
- Ⓗ Voor twee sleutels (Gebruik alleen hier een sleutel. Op andere plaatsen veroorzaakt u daarmee koelstoflekages.)
- Ⓘ Af te dichten (Dicht het einde van het isolatiemateriaal bij de pijpverbinding af met een afdichtmiddel dat u voorhanden heeft zodat geen water het isolatiemateriaal binnendringt.)

4.4. Luchtdichtheid van de koelstofpijpen testen (Fig. 4-4)

- (1) Sluit het testgereedschap aan.
 - Controleer of de afsluitkranen Ⓐ en Ⓑ zijn gesloten en open deze niet.
 - Zet druk op de koelstofpijpen via dienstopening Ⓒ van de vloeistofafsluitkraan Ⓐ.
- (2) Voer de druk niet meteen op tot de opgegeven waarde, maar verhoog deze beetje bij beetje.
 - ① Voer de druk op tot 0,5 MPa (5 kgf/cm²G), wacht vijf minuten en controleer vervolgens of de druk niet terugloopt.
 - ② Voer de druk op tot 1,5 MPa (15 kgf/cm²G), wacht vijf minuten en controleer vervolgens of de druk niet terugloopt.
 - ③ Voer de druk op tot 4,15 MPa (41,5 kgf/cm²G) en meet de omgevingstemperatuur en koelstofdruk.
- (3) Als de gespecificeerde druk ongeveer een dag lang aanwezig blijft en niet terugloopt, zijn de pijpen in orde en zijn er geen lekkages.
 - Als de omgevingstemperatuur verandert met 1°C zal de druk veranderen met ongeveer 0,01 MPa (0,1 kgf/cm²G). Voer de nodige aanpassingen uit.
- (4) Als de druk in stap (2) of (3) terugloopt, is er een gaslek. Zoek het lek.

4.5. Wijze van openen van de afsluitkraan

De wijze van openen van de afsluitkraan varieert met het model buitenapparaat. Open de afsluitkranen op de wijze die in uw situatie van toepassing is.

(1) Gaszijde (Fig. 4-5)

- ① Verwijder de kap en draai de kraanstang zo ver mogelijk tegen de klok in met behulp van een 5mm-inbussleutel. Stop met draaien wanneer de nok wordt bereikt. (ø15,88: Circa 13 omwentelingen)
- ② Let erop dat de afsluitkraan geheel open is en draai de kap terug naar de oorspronkelijke stand.

(2) Vloeistofzijde (Fig. 4-6)

- ① Verwijder de kap en draai de kraanstang zo ver mogelijk tegen de klok in met behulp van een 4mm-inbussleutel. Stop met draaien wanneer de nok wordt bereikt. (ø9,52: Circa 10 omwentelingen)
- ② Let erop dat de afsluitkraan geheel open is, druk de hendel in en draai de kap terug naar de oorspronkelijke stand.

Koelvloeistofpijpen hebben isolerende bekleding

- De pijpen kunnen zowel voor als na het aansluiten worden bekleed met isolatiemateriaal met een dikte van maximaal ø90. Snij het isolatiemateriaal langs de groef open en breng het op de pijpen aan.

Inlaatopening voor de pijpen

- Dicht de inlaatopeningen rond de pijpen grondig af met afdichtmiddel of kit. (Als de openingen niet worden gedicht, kan er geluid door hoorbaar zijn of kunnen water en stof het apparaat binnendringen en storingen veroorzaken.)

Voorzorgsmaatregelen voor het gebruik van de vulkraan (Fig. 4-7)

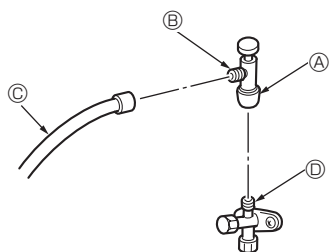
Trek de dienstopening niet overmatig aan tijdens het installeren. Hierdoor kan de binnenkant van de kraan vervormen en los gaan zitten, wat kan leiden tot een gaslek.

Draai nadat u gedeelte Ⓑ in de gewenste richting hebt geplaatst alleen gedeelte Ⓐ en trek dit gedeelte aan.

Trek gedeelten Ⓐ en Ⓑ niet verder aan, nadat u gedeelte Ⓐ hebt vastgedraaid.

⚠ Waarschuwing:

Als u het apparaat installeert, zet de koelmiddelleidingen dan stevig vast voordat u de compressor start.



* De figuur links is slechts een voorbeeld. De vorm van de afsluitkraan, de plaats van de dienstopening, enzovoort, kunnen per model verschillen.

* Draai alleen gedeelte Ⓐ. (Trek gedeelten Ⓐ en Ⓑ niet verder aan.)

- Ⓒ Vulslang
- Ⓓ Dienstopening

Fig. 4-7

4.6. Bijvullen van koelmiddel

- Als de pijplengte voor het apparaat minder bedraagt dan 30 m is bijvullen niet nodig.
- Als de pijplengte meer dan 30 m bedraagt dient u het apparaat met extra R32-koelmiddel te vullen, in overeenstemming met de toegestane leidinglengtes volgens de onderstaande tabel.
- * Zet als het apparaat is gestopt onderdruk op de verlengstukken en het binnenapparaat en vul het apparaat bij met koelstof via de vloeistofafsluitkraan. Voeg als het apparaat in werking is koelstof toe via de gaskeerklep met behulp van een veiligheidsvulapparaat. Vul niet rechtstreeks vloeibare koelstof bij via de keerklep.
- * Noteer na het bijvullen van het apparaat de hoeveelheid bijgevoelde koelstof op het aan het apparaat bevestigde onderhoudslabel. Zie de paragraaf "1.5. Gebruik van airconditioners met R32-koelstof" voor meer informatie.

- Wees voorzichtig bij het installeren van meerdere apparaten. Aansluiting op het verkeerde binnenapparaat kan leiden tot een abnormaal hoge druk en de prestaties ernstig beïnvloeden.
- Ⓞ R32 bijvullen bij onderhoud: Zorg ervoor dat elektrische vonken geen explosiegevaar kunnen vormen, voordat de apparatuur bij onderhoud wordt bijgevoerd met R32. De apparatuur moet voordien volledig worden losgekoppeld van de stroomvoeder.

Model	Toegestane pijplengte	Toegestane verticale verschil	Hoeveelheid bij te vullen koelstof					Ⓞ Maximale hoeveelheid koelmiddel
			31 - 40 m	41 - 50 m	51 - 55 m	56 - 60 m	61 - 65 m	
M100	- 55 m	- 30 m	0,4 kg	0,8 kg	1,0 kg	—	—	4,1 kg
M125, 140	- 65 m	- 30 m	0,4 kg	0,8 kg	1,0 kg	1,2 kg	1,4 kg	5,0 kg

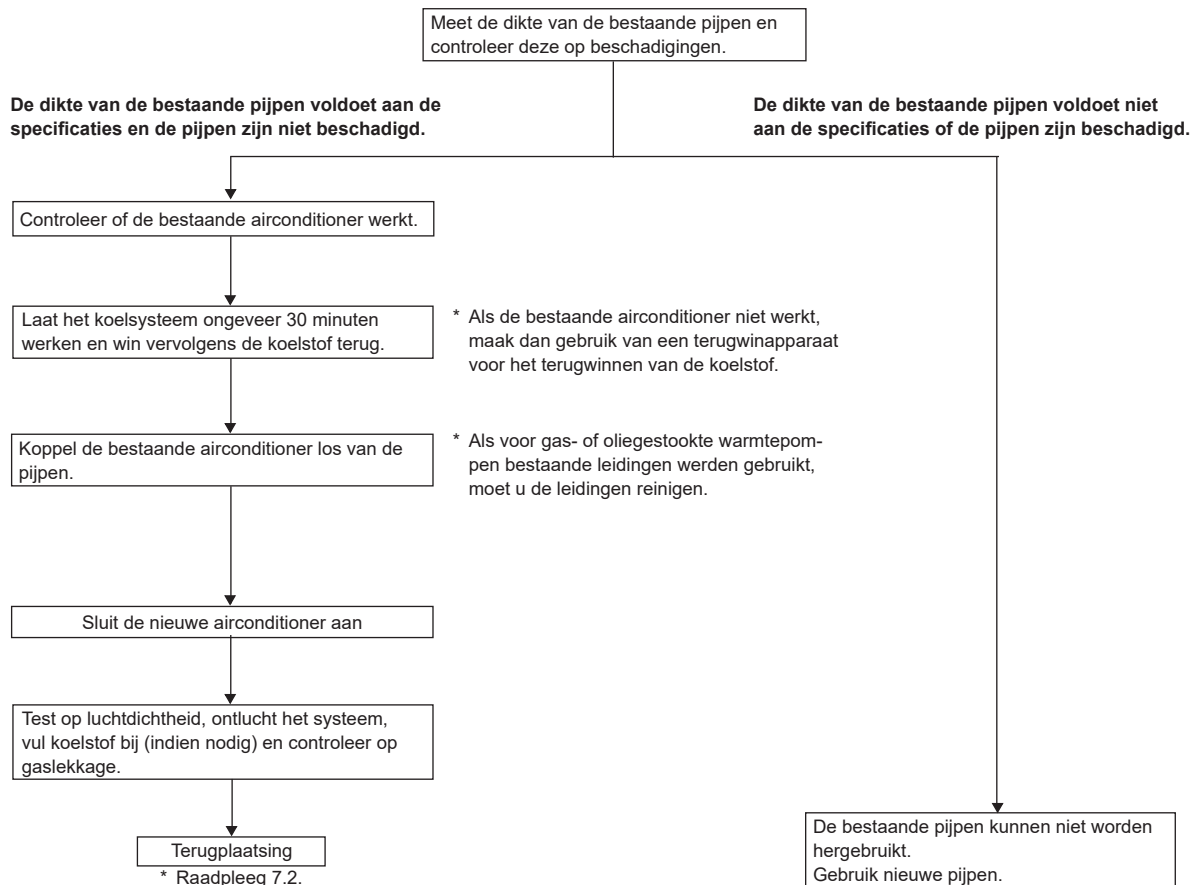
4. Installeren van de koelstofleidingen

Bijvullen koelvloeistof (kg) voor 30 m of minder (pijplengte voor minder vulling)

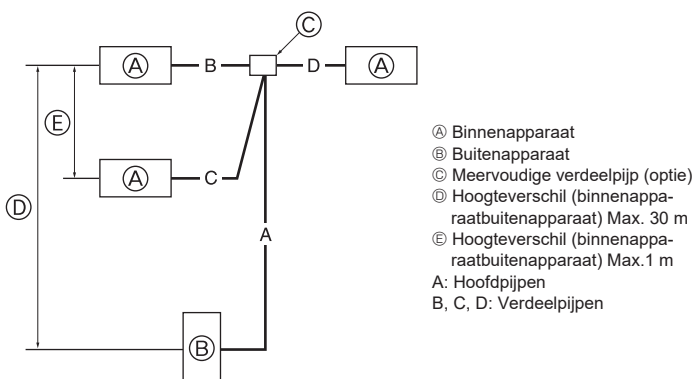
Buitenapparaat	5 m of minder	6 - 10 m	11 - 15 m	16 - 20 m	21 - 25 m	26 - 30 m
M100	2,0	2,2	2,4	2,6	2,8	3,1
M125, 140	2,6	2,8	3,0	3,2	3,4	3,6

4.7. Voorzorgen bij gebruik van bestaande R22-koelstofpijpen

- Raadpleeg het stroomschema hieronder om te bepalen of de bestaande pijpen kunnen worden gebruikt of het gebruik van een filterdroger vereist is.
- Als de diameter van de bestaande pijpen afwijkt van de specificaties, raadpleeg dan de technische gegevens om te controleren of de pijpen kunnen worden gebruikt.



<Begrenzings van de koelstofpijpinstallatie>



M100 : $A+B+C (+D) \leq 55$ m
 M125, 140 : $A+B+C (+D) \leq 65$ m
 * "D" geldt voor drievoudig.

4.8. Voor twee-/drievoudige combinaties (Fig. 4-8)

- Indien dit apparaat wordt gebruikt als een MULTI-SPLIT-apparaat, brengt u de koelvloeistofpijpen aan met de beperkingen zoals aangegeven in de linkerafbeelding. Indien de beperkingen worden overschreden, of als er combinaties van binnen- en buitenapparaten zijn, verwijzen wij u voor installatiedetails naar de installatieaanwijzingen voor het binnenapparaat.

Buitenapparaat	Toegestane totale pijplengte A+B+C+D	B of C of D	Pijplengte zonder vulling A+B+C+D
M100	55 m of minder	20 m of minder	30 m of minder
M125, 140	65 m of minder	20 m of minder	30 m of minder

Buitenapparaat	B-C of B-D of C-D	Aantal bochten
M100-140	8 m of minder	Maximaal 15

Fig. 4-8

5. Installatie van Draineerbuizen

Aansluiting van de draineerleidingen van het buitenapparaat

Wanneer een afvoerleiding benodigd is, moet u een aftapbus of een afvoervat (optioneel) gebruiken.

	M100-140
Aftapbus	PAC-SG61DS-E
Afvoervat	PAC-SH97DP-E

6. Elektrische aansluitingen

6.1. Buitenapparaat (Fig. 6-1, Fig. 6-2)

- ① Verwijder het onderhoudspaneel.
- ② Sluit de kabels aan aan de hand van Fig. 6-1 en 6-2.

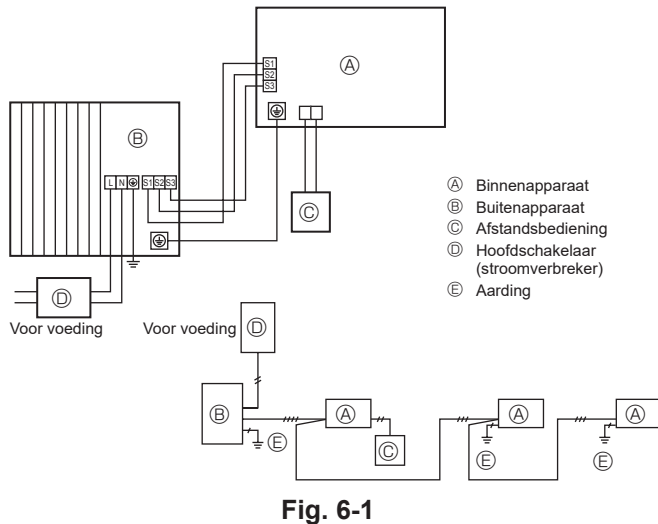


Fig. 6-1

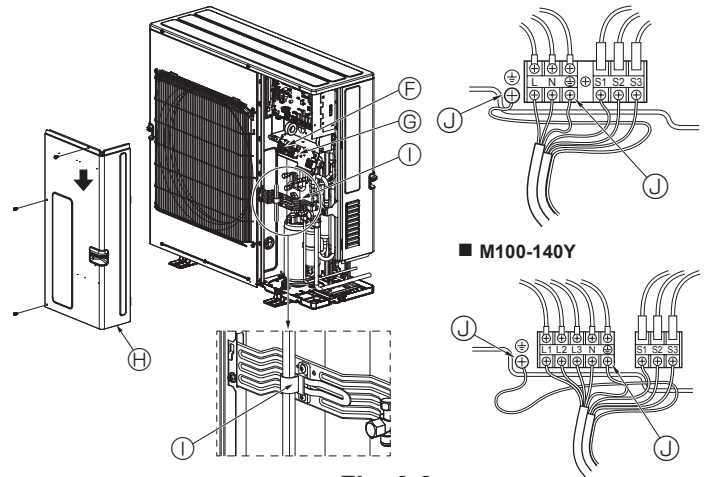


Fig. 6-2

- F Aansluitblok
- G Aansluitblok binnen-buitenverbinding (S1, S2, S3)
- H Onderhoudspaneel
- I Klem
- * Klem de kabels zo vast dat deze geen contact maken met het midden van het onderhoudspaneel of de gaskraan.
- J Aarde-aansluiting

Opmerking:

Als tijdens onderhoud de beschermende laag voor de elektrische kast is verwijderd, dient u deze weer aan te brengen.

⚠ Voorzichtig:

Zorg dat u de N-Line installeert. Zonder N-Line, kan het toestel beschadigd raken.

6. Elektrische aansluitingen

6.2. Elektrische bedrading op de plaats van installatie

Model buitenunit		M100, 125V	M140V	M100, 125, 140Y
Buitenapparaat voeding		~/N (Eenfase), 50 Hz, 230 V	~/N (Eenfase), 50 Hz, 230 V	3N~ (3 fasen, 4 draden), 50 Hz, 400 V
Ingangsvermogen buitenunit Hoofdschakelaar (stroomverbreker) *1		32 A	40 A	16 A
Bedrading Aantal dra- den x dikte in (mm²)	Buitenapparaat voeding	3 x Min. 6	3 x Min. 6	5 x Min. 1,5
	Binnenapparaat-Buitenapparaat	3 x 1,5 (Polar)	3 x 1,5 (Polar)	3 x 1,5 (Polar)
	Aarde voor verbindingkabel tussen binnenunit/buitenunit *2	1 x Min. 1,5	1 x Min. 1,5	1 x Min. 1,5
	Aansluitkabel tussen afstandsbediening en binnenapparaat *3	2 x 0,3 (Geen polariteit)	2 x 0,3 (Geen polariteit)	2 x 0,3 (Geen polariteit)
Nominiaal vermogen stroomkring	Buitenapparaat L-N (Eenfase)	230 V AC	230 V AC	230 V AC
	Buitenapparaat L1-N, L2-N, L3-N (3 fasen)	230 V AC	230 V AC	230 V AC
	Binnenapparaat-Buitenapparaat S1-S2	230 V AC	230 V AC	230 V AC
	Binnenapparaat-Buitenapparaat S2-S3	24 V DC	24 V DC	24 V DC
Aansluitkabel tussen afstandsbediening en binnenapparaat *4		12 V DC	12 V DC	12 V DC

*1. Gebruik een aardlekschakelaar (NV) met een contactopening van minimaal 3,0 mm per pool.

Let erop dat de stroomonderbreker geschikt is voor de aanwezigheid van hogere harmonischen.

Gebruik altijd een stroomonderbreker die geschikt is voor de aanwezigheid van hogere harmonischen, aangezien dit apparaat is uitgerust met een omvormer.

Een onjuiste stroomonderbreker kan leiden tot verkeerde werking van de omvormer.

*2 Max. 45 m

Bij toepassing van 2,5 mm², max. 50 m

Bij toepassing van 2,5 mm² en gescheiden S3, max. 80 m

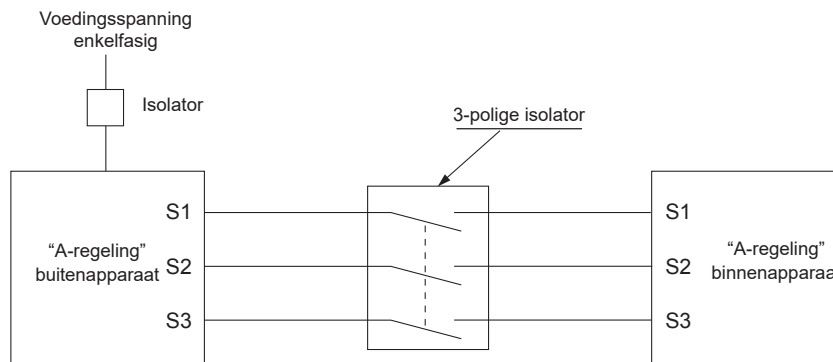
*3. De afstandsbediening is voorzien van een kabel van 10 m.

*4. De cijfers zijn NIET altijd van toepassing bij aarding.

S3-terminal heeft 24 V DC in tegenstelling tot S2-terminal. Tussen S3 en S1 zijn deze terminals niet elektrisch geïsoleerd door de transformator of een ander apparaat.



- Opmerkingen:**
1. De afmeting van de bedrading moet voldoen aan de van toepassing zijnde locale en nationale norm.
 2. De voedingskabels en de verbindingkabels van de binnen- en buitenapparaten mogen niet lichter zijn dan met polychloropreen bekleede flexikabels. (Ontwerp 60245 IEC 57)
 3. Zorg ervoor dat de aarddraad langer is dan de andere draden, zodat deze niet los kan komen indien de kabel onder mechanische spanning komt te staan.
 4. Gebruik zelf-dovende distributiekabels voor de bedrading van de stroomtoevoer.
 5. Leid de bedrading zodanig dat er geen contact wordt gemaakt met de metalen rand of punten van schroeven.



⚠ Waarschuwing:

- Bij het aansluiten van A-regeling dient u er rekening mee te houden dat er een hoge spanning op aansluiting S3 staat. Dit komt door het ontwerp van het elektrische circuit, dat geen elektrische scheiding kent tussen de leiding van de krachtstroom en de leiding van het communicatiesignaal. Zet daarom de hoofdschakelaar uit als u onderhoud wilt uitvoeren. En raak de aansluitingen S1, S2 en S3 niet aan bij ingeschakelde spanning. Als u tussen het binnen- en buitenapparaat een scheider wilt toepassen, gebruik dan een scheider van het 3-polige type.

V voorkom rookvorming, brand en communicatiestoringen en splits derhalve de voedingskabel en de kabel tussen het binnen- en buitenapparaat niet.

Zorg ervoor dat de verbindende kabels voor het binnen-buitenapparaat altijd direct met de eenheden verbonden zijn (geen tussentijdse verbindingen).

Tussentijdse verbindingen kunnen leiden tot communicatiefouten in geval van water in de kabels en onvoldoende isolatie met de grond veroorzaken of tot een slecht elektrisch contact bij het tussentijdse verbindingpunt.

7. Proefdraaien

7.1. Voordat u gaat proefdraaien

- ▶ Controleer nadat u de binnen-en buitenapparaten, inclusief pijpen en bedrading, volledig heeft geïnstalleerd het geheel op lekken van koelstof, losse elektrische contacten in voeding of besturingsbedrading en polariteit en controleer of er geen verbreking van een fase in de voeding is.
- ▶ Controleer met behulp van een megohmmeter van 500 volt of de weerstand tussen de netspanningsaansluitpunten en de aarde minimaal 1 MΩ bedraagt.
- ▶ Voer deze test niet uit op de aansluitpunten van de besturingsbedrading (laagspanningscircuit).

⚠ Waarschuwing:

U mag de airconditioner niet gebruiken als de isolatieweerstand minder dan 1 MΩ bedraagt.

Isolatieweerstand

Na de installatie of nadat de voeding van het apparaat langere tijd is uitgeschakeld, daalt de isolatieweerstand tot onder 1 MΩ door de ophoping van koelstof in de compressor. Dit is geen storing. Volg de onderstaande procedures.

1. Haal de bedrading van de compressor los en meet vervolgens de isolatieweerstand van de compressor.
2. Als de isolatieweerstand lager is dan 1 MΩ, is de compressor defect of is de weerstand gedaald door de ophoping van koelstof in de compressor.
3. Sluit de bedrading van de compressor weer aan en schakel de voeding in. De compressor zal nu beginnen met warmdraaien. Meet de isolatieweerstand opnieuw nadat de voeding gedurende de hieronder aangegeven periode is ingeschakeld.

7.2. Proefdraaien

7.2.1. Met SW4 in het buitenapparaat

SW4-1	ON/AAN	Koelen
SW4-2	OFF/UIT	
SW4-1	ON/AAN	Verwarmen
SW4-2	ON/AAN	

- * Nadat u het apparaat heeft laten proefdraaien, zet u SW4-1 op OFF/UIT.
- Als de voeding wordt ingeschakeld, kan een zacht klikgeluid hoorbaar zijn in het buitenapparaat. Dit is de elektronische expansieklep die open en dicht gaat. Het apparaat is niet defect.
- Enkele seconden nadat de compressor is gestart kan een metalig geluid hoorbaar zijn in het binnenapparaat. Dit geluid is afkomstig van de keerklep en wordt veroorzaakt door het kleine drukverschil binnen de pijpen. Het apparaat is niet defect.

- De isolatieweerstand daalt door de ophoping van koelstof in de compressor. De weerstand stijgt tot boven 1 MΩ nadat de compressor 4 uur heeft warmgedraaid. (De tijd die de compressor nodig heeft om warm te draaien varieert afhankelijk van de atmosferische omstandigheden en de ophoping van koelstof.)
 - Bij ophoping van koelstof in de compressor moet deze voor gebruik ten minste 12 uur warmdraaien om storingen te voorkomen.
4. Als de isolatieweerstand stijgt tot boven 1 MΩ, is de compressor niet defect.

⚠ Voorzichtig:

- De compressor werkt uitsluitend als de fase-aansluiting van de netspanning correct is.
- Zet de netspanningschakelaar ruim 12 uur voordat u de airconditioner gaat gebruiken aan.
- Als u het apparaat meteen nadat u de netschakelaar heeft omgedraaid aanzet, kunnen de interne onderdelen ernstig beschadigd worden. Gedurende het seizoen waarin u het apparaat gebruikt, moet u de netschakelaar altijd aan laten staan.

▶ Controleer ook het volgende.

- Het buitenapparaat is niet defect. LED1 en LED2 op het bedieningspaneel van het buitenapparaat knipperen als het apparaat defect is.
- Zowel de gas- als vloeistofafsluitkraan staan volledig open.
- Het DIP-schakelaarpaneel op het bedieningspaneel van het buitenapparaat is voorzien van een beschermplaatje. Verwijder het beschermplaatje om de DIP-schakelaars eenvoudig te kunnen bedienen.

De proefdraaimodus kan tijdens het proefdraaien niet worden gewijzigd door middel van DIP-schakelaar SW4-2. (Als u de proefdraaimodus tijdens het proefdraaien wilt wijzigen, zet het proefdraaien dan stop met DIP-schakelaar SW4-1. Wijzig vervolgens de proefdraaimodus en hervat het proefdraaien met schakelaar SW4-1.)

7.2.2. Afstandsbediening gebruiken

Zie installatiehandleiding binnenapparaat.

Opmerking :

Af en toe kan damp, veroorzaakt door de ontdooiende werking erop lijken alsof er rook uit de buitenste behuizing komt.

8. Speciale functies

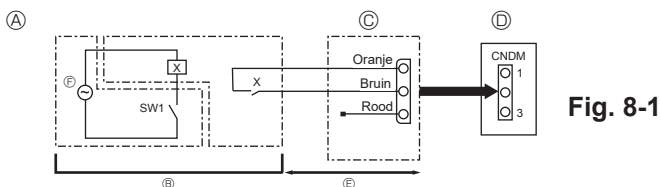


Fig. 8-1

- Ⓐ Voorbeeld van elektrisch schema (stille werking)
- Ⓑ Indeling ter plaatse
- Ⓒ Externe invoeradapter (PAC-SC36NA-E)
- Ⓓ Bedieningspaneel buitenapparaat
- Ⓔ Max. 10 m
- Ⓕ Stroomvoorziening voor relais
- X: Relais

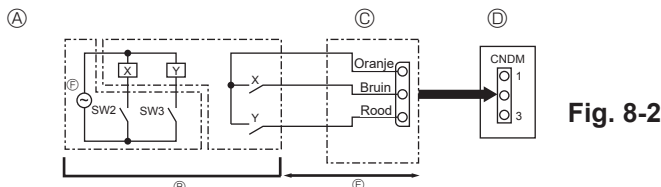


Fig. 8-2

- Ⓐ Voorbeeld van elektrisch schema (Vraagfunctie)
- Ⓑ Indeling ter plaatse
- Ⓒ Externe invoeradapter (PAC-SC36NA-E)
- Ⓓ Bedieningspaneel buitenapparaat
- Ⓔ Max. 10 m
- Ⓕ Stroomvoorziening voor relais
- X, Y: Relais

8.1. Stille werking (wijziging ter plaatse) (Fig. 8-1)

Door middel van de volgende aanpassing kan het geluid van het buitenapparaat met ongeveer 3-4 dB worden teruggebracht.

De stille werking kan worden geactiveerd door installatie van een in de handel verkrijgbare timer of het omzetten van een ON/OFF-schakelaar op de CNDM-stekker (afzonderlijk verkrijgbaar) op het bedieningspaneel van het buitenapparaat.

- Het resultaat varieert afhankelijk van de buitentemperatuur, weersomstandigheden etc.

- ① Breidt het circuit uit zoals afgebeeld bij gebruik van de externe invoeradapter (PAC-SC36NA-E). (Afzonderlijk verkrijgbaar)
- ② SW7-1 (Bedieningspaneel buitenapparaat): OFF
- ③ SW1 op ON: Stille werking
SW1 op OFF: Normale werking

8.2. Vraagfunctie (wijziging ter plaatse) (Fig. 8-2)

Door de volgende wijziging uit te voeren, kan het energieverbruik worden teruggedrongen met 0-100% van het normale verbruik.

De vraag-functie kan worden geactiveerd door installatie van een in de handel verkrijgbare timer of het omzetten van een ON/OFF-schakelaar op de CNDM-stekker (afzonderlijk verkrijgbaar) op het bedieningspaneel van het buitenapparaat.

- ① Breidt het circuit uit zoals afgebeeld bij gebruik van de externe invoeradapter (PAC-SC36NA-E). (Afzonderlijk verkrijgbaar)
- ② Door het omzetten van de schakelaars SW7-1 op het bedieningspaneel van het buitenapparaat, kan het energieverbruik met de volgende percentages worden beperkt (in vergelijking met het normale verbruik):

	SW7-1	SW2	SW3	Energieverbruik
Vraag-functie	ON	OFF	OFF	100%
		ON	OFF	75%
		ON	ON	50%
		OFF	ON	0% (Stop)

8. Speciale functies

8.3. Terugwinnen van de koelstof (leegpompen)

Volg de onderstaande procedures voor het terugwinnen van de koelstof bij verplaatsing van het binnen- of buitenapparaat.

- ① Elektrische voeding (stroomonderbreker).
 - * Controleer als de voeding is ingeschakeld of "CENTRALLY CONTROLLED" wordt weergegeven op de afstandsbediening. Als "CENTRALLY CONTROLLED" wordt weergegeven, kan de koelstof niet op normale wijze worden teruggewonnen.
 - * Ongeveer 3 minuten na het inschakelen van de voeding (netschakelaar) wordt de communicatie tussen de binnen- en buitenapparaat gestart. Start het leegpompen 3 tot 4 minuten na het inschakelen van de voeding (netschakelaar).
- ② Zet na het sluiten van de vloeistofafsluitkraan de SWP-schakelaar op het bedieningspaneel van het buitenapparaat op ON. De compressor (buitenapparaat) en ventilators (binnen- en buitenapparaat) slaat aan en het terugwinnen van de koelstof begint. LED1 en LED2 op het bedieningspaneel van het buitenapparaat branden.
 - * Zet de SWP-schakelaar (drukknop) alleen op ON als het apparaat stopt. Zelfs als het apparaat stopt en de SWP-schakelaar op ON wordt gezet binnen 3 minuten nadat de compressor is gestopt, kan het terugwinnen van de koelstof niet worden uitgevoerd. Wacht tot de compressor 3 minuten is gestopt en zet vervolgens de SWP-schakelaar weer op ON.

- ③ Sluit de gasafsluitkraan omdat het apparaat, nadat het opvangen van koelmiddel is voltooid (LED1 uit, LED2 brandt), binnen ongeveer 2 tot 3 minuten automatisch stopt. Als LED1 brandt en LED2 uit is en de buitenapparaat gestopt is, wordt het koelmiddel niet goed opgevangen. Open de vloeistofafsluitkraan volledig en herhaal stap ② na 3 minuten.
 - * Als het opvangen van het koelmiddel normaal voltooid is (LED1 uit, LED2 brandt), blijft het apparaat gestopt tot de voeding is uitgeschakeld.
- ④ Schakel de elektrische voeding uit (stroomonderbreker).
 - * Houd er rekening mee dat leegpompen misschien niet kan als de verlengstukken erg lang zijn en er grote hoeveelheden koelmiddel in de verlengstukken zit. Bij het uitvoeren van de pompafschakelprocedure dient u erop te letten dat de lage druk verlaagd wordt naar bijna 0 MPa (meterstand).

⚠ Waarschuwing:

Als u het koelmiddel uit het apparaat pompt, zet de compressor dan uit voordat u de koelmiddelleidingen losmaakt. De compressor kan barsten als er lucht etc. in komt.

9. Het systeem controleren (Fig. 9-1)

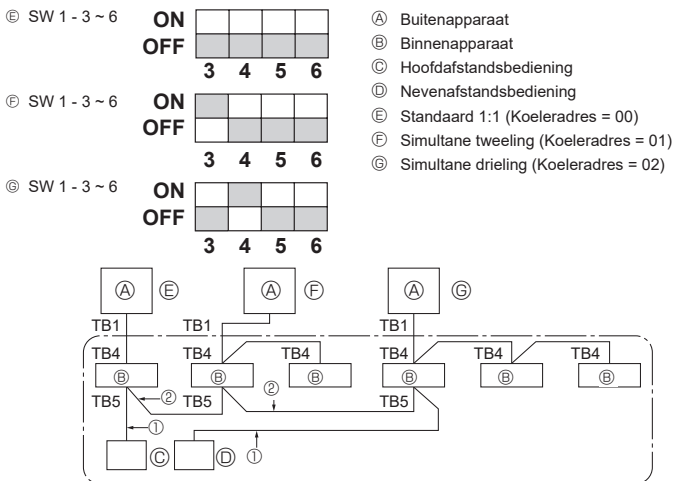


Fig. 9-1

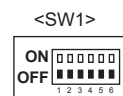
* Stel het koeleradres in met de minischakelaar van het buitenapparaat.

- ① Draden vanaf de afstandsbediening
Deze draad wordt bevestigd aan TB5 (aansluitpaneel van de afstandsbediening) van het binnenapparaat (niet polair).
- ② Als een andere koelsysteemgroepering wordt gebruikt.
Met de dunne MA afstandsbediening kunnen tot 16 koelsystemen als één groep worden bediend.

Opmerking:

Bij een enkelvoudig koelsysteem (tweeling/drieling), heeft geen overdrachtskabel te worden aangelegd ②.

SW1
Functietabel



	Functie	Bedrijf in overeenstemming met de schakelaarinstelling	
		ON	OFF
Functieinstellingen van SW1	1 Gedwongen ontdooien	Start	Normal
	2 Fouthistorie gewist	Clear	Normal
	3 Adresinstelling	Adresinstellingen voor de buitenapparaten 0 t/m 15	
	4 koelsysteem		
	5		
	6		

Contenido

1. Medidas de Seguridad	1	6. Trabajo eléctrico	10
2. Lugar en que se instalará	2	7. Prueba de funcionamiento	12
3. Instalación de la unidad exterior.....	6	8. Funciones especiales.....	12
4. Instalación de los tubos del refrigerante	6	9. Sistema de control (Fig. 9-1).....	13
5. Tubería de drenaje	10		



Nota: Este símbolo sólo es aplicable para la UE.

Este símbolo es conforme a la directiva 2012/19/UE, artículo 14, Información para usuarios y Anexo IX.

Su producto MITSUBISHI ELECTRIC está diseñado y fabricado con materiales y componentes de alta calidad que pueden ser reciclados y reutilizados. Este símbolo significa que el aparato eléctrico y electrónico, al final de su ciclo de vida, se debe tirar separadamente del resto de sus residuos domésticos.

Por favor, deposite este aparato en el centro de recogida/reciclado de residuos de su comunidad local cuando quiera tirarlo.

En la Unión Europea existen sistemas de recogida específicos para productos eléctricos y electrónicos usados.

i Ayúdenos a conservar el medio ambiente!

⚠ Cuidado:

- No expulse R32 a la atmósfera.

1. Medidas de Seguridad

- ▶ Antes de instalar la unidad, asegúrese de haber leído el capítulo de "Medidas de seguridad".
- ▶ Antes de conectar el sistema, informe al servicio de suministro o pídale permiso para efectuar la conexión.
- ▶ PUZ-M-Y se ha diseñado para aplicaciones comerciales y de industria ligera.
- ▶ El equipo cumple la norma IEC/EN 61000-3-12 (PUZ-M100/125/140V)

⚠ Atención:

Describe las precauciones que deben tenerse en cuenta para evitar el riesgo de lesiones o muerte del usuario.

⚠ Cuidado:

Describe las precauciones que deben tenerse en cuenta para evitar daños en la unidad.

SIGNIFICADO DE LOS SÍMBOLOS VISUALIZADOS EN LA UNIDAD

	ATENCIÓN (Riesgo de incendio)	Esta marca se refiere únicamente al refrigerante R32. El tipo de refrigerante está escrito en la placa de identificación de la unidad exterior. Si el tipo de refrigerante es R32, quiere decir que esta unidad utiliza un refrigerante inflamable. Si hay fugas de refrigerante y este entra en contacto con fuego o con fuentes de calor, se generarán gases perjudiciales y puede causarse un incendio.
		Lea detenidamente el MANUAL DE INSTRUCCIONES antes de utilizar el equipo.
		El personal de mantenimiento deberá leer detenidamente el MANUAL DE INSTRUCCIONES y el MANUAL DE INSTALACIÓN antes de utilizar el equipo.
		Encontrará más información en el MANUAL DE INSTRUCCIONES, en el MANUAL DE INSTALACIÓN y en documentos similares.

⚠ Atención:

- El usuario no debe instalar la unidad. La instalación y reparación de la unidad debe realizarlas un distribuidor o un técnico autorizado. Si la unidad se instala incorrectamente pueden producirse escapes de agua, descargas eléctricas o incendios.
- Para los trabajos de instalación y reubicación, siga las instrucciones del Manual de instalación y utilice herramientas y componentes para tuberías fabricados específicamente para su uso con el refrigerante R32. Si los accesorios de fontanería que se instalan no están fabricados para el refrigerante R32, los tubos se pueden quemar y causar daños o lesiones. Además, pueden producirse escapes de agua, descargas eléctricas o incendios.
- La unidad debe instalarse según las instrucciones para reducir posibles daños en caso de terremoto, huracán o vientos fuertes. Si no se instala correctamente, la unidad podría caerse y provocar daños o lesiones.
- La unidad debe instalarse firmemente sobre una estructura capaz de soportar su peso. Si la unidad se instala sobre una estructura inestable, podría caerse y provocar daños o lesiones.
- Si el equipo de aire acondicionado se instala en una sala pequeña deberán tomarse medidas para prevenir que la concentración de refrigerante exceda los límites de seguridad en caso de fugas. Pregunte a un distribuidor por las medidas adecuadas para evitar que la concentración exceda los límites. Si se produce una fuga de refrigerante que sobrepase los límites de concentración, la estancia en la sala puede ser peligrosa por falta de oxígeno.
- Si se produce una fuga de refrigerante durante el funcionamiento, ventile la sala. Si el refrigerante entra en contacto con una llama, se desprenderán gases nocivos.
- Todas las conexiones eléctricas deberán ser realizadas por un técnico cualificado según la normativa local y las instrucciones de este manual. Cada unidad debe tener su línea eléctrica y se deben usar disyuntores y un voltaje correcto. El uso de líneas eléctricas con una capacidad insuficiente o una conexión eléctrica incorrecta puede provocar descargas eléctricas o incendios.
- Utilice tubos de cobre fosforoso del tipo C1220 y tubos de aleación de cobre sin costuras para conectar los tubos del refrigerante. Si los tubos no se conectan correctamente, la unidad no estará bien puesta a tierra y puede provocar descargas eléctricas.
- Este equipo se ha diseñado para ser utilizado por usuarios expertos o cualificados en comercios, industrias ligeras y granjas, o para su uso comercial por personas no expertas.
- Utilice solo cables especificados para el cableado. Las conexiones del cableado se deben realizar con seguridad sin que se ejerza tensión en las conexiones de los terminales. Asimismo, no empalme nunca los cables al realizar el cableado (a menos que se indique lo contrario en este documento). El hecho de no seguir estas instrucciones puede provocar un sobrecalentamiento o un incendio.
- Si el cable de alimentación sufre daños, debe ser sustituido por el fabricante, su servicio técnico o personal con una cualificación equivalente para evitar cualquier peligro.
- El aparato eléctrico debe instalarse siguiendo las regulaciones vigentes del país en materia de cableado.
- La cubierta del bloque de terminales de la unidad exterior tiene que estar bien sujeta. Si la cubierta no se instala correctamente y el polvo y la humedad entran en la unidad, se pueden producir una descarga eléctrica o un incendio.
- Cuando instale, mueva o revise el equipo de aire acondicionado, utilice solo el refrigerante indicado (R32) para cargar los tubos del refrigerante. No lo mezcle con otro tipo de refrigerante y vacíe completamente de aire los tubos.

Después de terminar la instalación, explique las "Medidas de Seguridad", funcionamiento y mantenimiento de la unidad al cliente según el Manual de instrucciones y realice una prueba para asegurarse de que funciona correctamente. Entregue una copia del Manual de instalación y del Manual de instrucciones al usuario. Estos manuales deben pasar a usuarios posteriores del equipo.



⌚ : Indica una pieza que debe estar conectada a tierra.

⚠ Atención:

Lea atentamente las etiquetas adheridas a la unidad principal.

Ⓞ : Indica advertencias y precauciones a seguir cuando se utiliza refrigerante R32.

- Si el aire se mezcla con el refrigerante, podría producir una tensión anormalmente alta en el tubo del refrigerante y ocasionar una explosión u otros peligros. Usar un refrigerante distinto al indicado para el sistema provocará un fallo mecánico, un funcionamiento defectuoso del sistema o la avería de la unidad. En el peor de los casos, podría suponer un grave impedimento para garantizar la seguridad del producto.
- Utilice sólo accesorios autorizados por Mitsubishi Electric y pída a su distribuidor o a un técnico autorizado que se los instale. Si los accesorios no se instalan correctamente, pueden producirse escapes de agua, descargas eléctricas o incendios.
- No modifique la unidad. Para las reparaciones, acuda a su distribuidor. Si las modificaciones o las reparaciones no se realizan correctamente, pueden producirse escapes de agua, descargas eléctricas o incendios.
- El usuario nunca debe intentar reparar la unidad o moverla de sitio. Si la unidad no se instala correctamente, pueden producirse escapes de agua, descargas eléctricas o incendios. Si debe reparar o mover el equipo de aire acondicionado, acuda a su distribuidor o técnico autorizado.
- Tras haber realizado la instalación, compruebe si hay fugas de refrigerante. Si en caso de fuga el refrigerante entra en contacto con las llamas de un calentador o de un equipo de cocina portátil, se desprenderán gases nocivos.
- Para acelerar el proceso de descongelación o para limpiar el aparato, utilice únicamente los medios recomendados por el fabricante.
- El aparato debe guardarse en una habitación sin fuentes de ignición en funcionamiento continuo (por ejemplo: llamas abiertas, un aparato de gas en funcionamiento o un calentador eléctrico en funcionamiento).
- No perforo ni queme el equipo.
- Tenga en cuenta que es posible que los refrigerantes no emitan olores.
- Ⓞ Las tuberías deben protegerse de posibles daños físicos.
- Las tuberías instaladas deben ser las mínimas.
- Deben observarse las normativas nacionales relativas al gas.
- Mantenga las aberturas de ventilación necesarias libres de obstáculos.
- Ⓞ No utilice una aleación para soldadura de baja temperatura si decide soldar los tubos de refrigerante.
- Ⓞ Cuando realice trabajos de soldadura, procure que la habitación esté bien ventilada. Compruebe que no haya materiales peligrosos o inflamables cerca de la zona de trabajo.
- Si trabaja en una habitación cerrada o pequeña, o en un lugar similar, compruebe que no haya fugas de refrigerante antes de realizar el trabajo.
- Si se producen fugas de refrigerante y este se acumula, puede encenderse o liberar gases tóxicos.
- Ⓞ El aparato debe guardarse en una zona bien ventilada, y la habitación debe tener el tamaño especificado para un funcionamiento correcto.
- Ⓞ Mantenga los aparatos que utilizan combustibles gaseosos, calefactores eléctricos y otros elementos inflamables (fuentes de ignición) apartados del lugar donde se llevará a cabo la instalación, reparación y otras tareas en el acondicionador de aire. Si el refrigerante entra en contacto con una llama, se liberarán gases tóxicos.
- Ⓞ No fume durante el trabajo y el transporte.

1. Medidas de Seguridad

1.1. Cuestiones previas a la instalación

⚠ Cuidado:

- No utilice la unidad en un ambiente enrarecido. Este aire acondicionado no se puede instalar en áreas expuestas a vapor, aceite esencial (incluyendo el aceite para máquinas) o al humo sulfúrico, ni en áreas con alto contenido en sal, como playas, o en zonas donde la nieve pueda cubrir la unidad, ya que pueden reducir significativamente su rendimiento y dañar las piezas internas.
- No instale la unidad donde se puedan verter, producir, circular o acumular gases inflamables. Si se acumula gas inflamable en zonas próximas a la unidad, se podría producir un incendio o una explosión.

- La unidad exterior produce condensación cuando funciona como calefacción. Asegúrese de habilitar drenaje alrededor de la unidad exterior si la condensación puede provocar daños.
- Si instala la unidad en un hospital o en un centro de comunicaciones, recuerde que la unidad produce ruidos e interferencias electrónicas. Los conmutadores, aparatos domésticos, equipos médicos de alta frecuencia y las comunicaciones de radio pueden provocar un mal funcionamiento o la avería del equipo de aire acondicionado. El equipo de aire acondicionado también puede afectar los equipos médicos e interrumpir los cuidados médicos, así como los equipos de comunicación y dañar la calidad de la pantalla.

1.2. Cuestiones previas a la instalación (reubicación)

⚠ Cuidado:

- Extreme las precauciones al transportar o instalar las unidades. Se necesitan dos o más personas para llevar la unidad porque pesa 20 kg o más. No la sujete por las bandas de embalaje. Utilice guantes protectores para sacar la unidad de la caja y para moverla, ya que se podría lastimar las manos con las aletas o con los bordes de alguna de las piezas.
- Guarde los embalajes en un lugar seguro. Los materiales de embalaje, como clavos y otras piezas de metal o de madera pueden producir pinchazos y otras lesiones.

- La base y los aditamentos de fijación de la unidad exterior deben comprobarse periódicamente para detectar posibles roturas, tuercas flojas o cualquier otro daño que hayan podido sufrir. Si no se solucionan esos problemas, la unidad podría caerse y causar daños o lesiones.
- No limpie con agua el equipo de aire acondicionado. Puede sufrir una descarga eléctrica.
- Apriete las tuercas de abocardado a los niveles recomendados mediante una llave dinamométrica. Si las aprieta demasiado, se pueden romper al cabo de un tiempo y producirse fugas de refrigerante.

1.3. Antes de la instalación eléctrica

⚠ Cuidado:

- Asegúrese de instalar disyuntores. Si no se instalan, se podrían producir descargas eléctricas.
- Use cables estándar de suficiente capacidad para las líneas eléctricas. Si no lo hace así, se podría producir un cortocircuito, un sobrecalentamiento o un incendio.
- Cuando instale las líneas eléctricas, los cables no deben tener corriente. Si las conexiones se aflojan, los cables se podrían cruzar o romper y se podría producir un incendio o un sobrecalentamiento.

- Asegúrese de instalar una toma de tierra. No conecte el cable de tierra a las tomas de tierra de las tuberías de gas o de agua, de postes de iluminación o de teléfono. Si la unidad no está bien conectada a la línea de tierra, se puede producir una descarga eléctrica.
- Utilice disyuntores (interruptor de falta de tierra, interruptor aislante (+fusible B) e interruptores en caja moldeada) con la potencia especificada. Si la potencia del interruptor es mayor que la especificada, puede ocurrir un incendio o una avería.

1.4. Antes de realizar las pruebas de funcionamiento

⚠ Cuidado:

- Conecte la corriente al menos 12 horas antes de que empiece a funcionar el equipo. Si se acciona inmediatamente después de haberlo conectado a la corriente, pueden producirse daños graves en las piezas internas. Mantenga la unidad conectada a la corriente durante la temporada de funcionamiento.
- Antes de que comience a funcionar el equipo, compruebe que todos los paneles y protectores están instalados correctamente. Las piezas giratorias, calientes o de alto voltaje pueden provocar lesiones.
- No toque ningún interruptor con las manos mojadas. Puede sufrir una descarga eléctrica.

- No toque la tubería del refrigerante sin guantes mientras durante el funcionamiento. La tubería del refrigerante está caliente o frío según las condiciones de la corriente de refrigerante. Si toca la tubería puede sufrir quemaduras por el calor o por el frío.
- Una vez deje de funcionar el aparato, espere cinco minutos antes de apagar el interruptor principal. De lo contrario, se puede producir un goteo de agua o una avería.

1.5. Utilización del refrigerante R32 para equipos de aire acondicionado

⚠ Cuidado:

- Utilice tubos de cobre fosforoso del tipo C1220 y tubos de aleación de cobre sin costuras para conectar los tubos del refrigerante. Asegúrese de que el interior de las tuberías está limpio y que no contienen ningún contaminante dañino como compuestos sulfúricos, oxidantes, impurezas o polvo. Utilice tuberías con el grosor especificado. (Consulte la sección 4.1.) Tenga en cuenta lo siguiente si reutiliza tuberías que contenían refrigerante R22.
 - Sustituya las tuercas de abocardado existentes y vuelva a abocardar las secciones abocardadas.
 - No use tuberías de poco grosor. (Consulte la sección 4.1.)
- Almacene las tuberías que se deban instalar en el interior y mantenga los orificios tapados hasta el momento de instalarlas. (Deje las juntas articuladas y otras piezas en sus embalajes.) Si el polvo, los restos o la humedad entran en las tuberías de refrigeración, se puede producir el deterioro del aceite o una avería en el aparato.
- Utilice aceite de éster, de éter o alquilobenceno (en pequeñas cantidades) para recubrir las secciones abocardadas. Si se mezcla aceite mineral con aceite de refrigeración se puede deteriorar el aceite.

- Las operaciones de mantenimiento deben realizarse únicamente de la forma recomendada por el fabricante.
- No utilice otro refrigerante que no sea R32.
- Utilice las siguientes herramientas especialmente diseñadas para usar con el refrigerante R32. Se necesitan las siguientes herramientas para utilizar el refrigerante R32. Si tiene alguna duda, consulte con su distribuidor más cercano.

Herramientas (para R32)	
Manómetro	Abocardador
Manguera de carga	Ajustador del tamaño
Detector de fugas de gas	Adaptador de la bomba de vacío
Llave dinamométrica	Báscula electrónica de carga del refrigerante

- Asegúrese de utilizar las herramientas adecuadas. Si el polvo, los restos o la humedad entran en las tuberías de refrigeración, se puede producir el deterioro del aceite de refrigeración.

2. Lugar en que se instalará

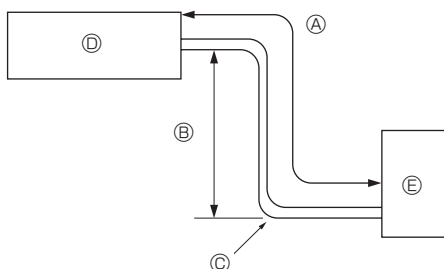


Fig. 2-1

2.1. Tubería de refrigerante (Fig. 2-1)

- Compruebe que la diferencia de altura entre las unidades interior y exterior, la longitud del tubo de refrigerante y la cantidad de codos en la tubería se encuentren dentro de los límites que se indican a continuación.

Modelos	(A) Longitud de las tuberías (un sentido)	(B) Diferencia de altura	(C) Número de codos (un sentido)
M100	Máx. 55 m	Máx. 30 m	Máx. 15
M125/140	Máx. 65 m	Máx. 30 m	Máx. 15

- Las limitaciones de diferencia de altura son obligatorias sin importar qué unidad, la interior o la exterior, está colocada más alta.

Ⓧ Unidad interior
Ⓧ Unidad exterior

2. Lugar en que se instalará

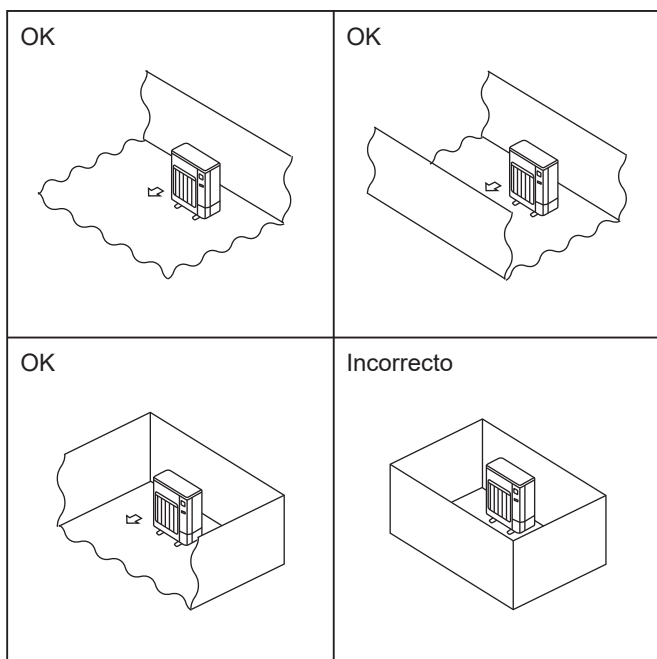


Fig. 2-2

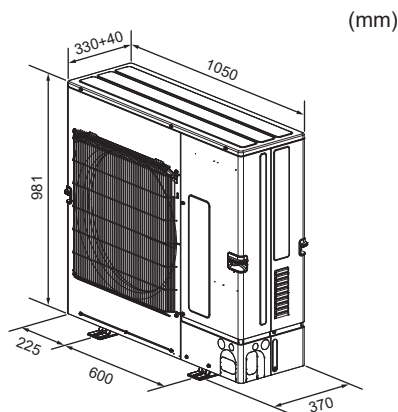


Fig. 2-3

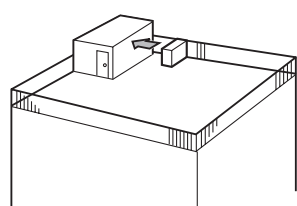


Fig. 2-4

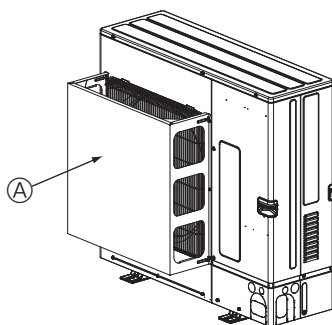


Fig. 2-5

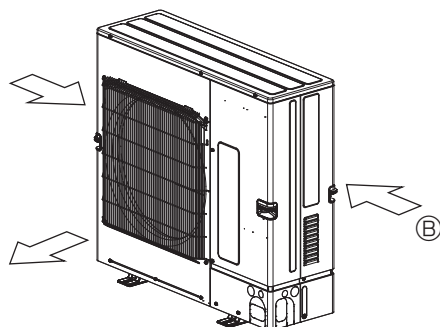


Fig. 2-6

2.2. Elección del lugar de instalación de la unidad exterior

- ⊙ El R32 es más pesado que el aire, igual que los otros refrigerantes, por lo que suele acumularse en la base (cerca del suelo). Si el R32 se acumula alrededor de la base, la concentración puede llegar a resultar inflamable si la habitación es pequeña. Para evitar la ignición, es necesario trabajar en un entorno laboral seguro y con una ventilación adecuada. Si se detecta una fuga de refrigerante en una sala o en una zona con poca ventilación, procure no utilizar llamas hasta que pueda ventilarse adecuadamente el entorno laboral.
- No instale la unidad en lugares expuestos directamente al sol o a otras fuentes de calor.
- escoja un lugar donde el ruido de la unidad no moleste a los vecinos.
- escoja un lugar donde sea fácil instalar el cableado y las tuberías y acceder a la fuente de alimentación y a la unidad exterior.
- No instale la unidad donde se puedan verter, producir, circular o acumular gases inflamables.
- Durante el funcionamiento, la unidad puede perder agua.
- escoja un lugar nivelado que pueda soportar el peso y la vibración de la unidad.
- No instale la unidad en lugares donde la pueda cubrir la nieve. En zonas propensas a las nevadas intensas, se deben tomar medidas de precaución, como por ejemplo, situar la unidad elevada o instalar una protección en la entrada de aire para evitar que la nieve la obstruya o fluya directamente contra ésta. Esto reduce la corriente de aire e impide que la unidad funcione correctamente.
- No instale la unidad en lugares expuestos a aceite, vapor o humo sulfúrico.
- Utilice las asas de transporte de la unidad exterior para transportarla. Si transporta la unidad tomándola por la parte inferior se podría lesionar las manos o los dedos.
- La conexión de los tubos de refrigerante debe encontrarse en un lugar accesible para poder realizar las operaciones de mantenimiento.
- ⊙ Instale las unidades exteriores en un lugar donde al menos uno de los cuatro lados esté abierto, y en un espacio lo suficientemente grande y no elevado. (Fig. 2-2)

2.3. Dimensiones exteriores (Unidad exterior) (Fig. 2-3)

2.4. Ventilación y espacio de servicio

2.4.1. Instalación en lugares expuestos al viento

Cuando instale una unidad en el tejado o en otros lugares desprotegidos del viento, la salida de aire de la unidad no debe quedar expuesta directamente al viento fuerte. Si el viento fuerte entra en la salida de aire puede impedir la circulación normal del aire y causar un mal funcionamiento.

A continuación se muestran tres ejemplos de precauciones a tomar contra el viento fuerte.

- ① Coloque la salida de aire de frente a la pared más próxima a una distancia de unos 500 mm de ella. (Fig. 2-4)
- ② Si la unidad está situada en un lugar expuesto a vientos fuertes como huracanes, etc. que puedan entrar en la salida de aire, coloque una guía opcional de aire. (Fig. 2-5)
 - Ⓐ Guía de aire
- ③ Coloque la unidad de manera que la salida de aire sople en dirección perpendicular a la dirección estacional del viento, si la conoce. (Fig. 2-6)
 - Ⓑ Dirección del viento

2.4.2. Cuando se instala una unidad exterior simple (Consulte la página anterior)

Las dimensiones mínimas son las siguientes, excepto para máx. (dimensiones máximas), las cuales también están indicadas.

Consulte los números correspondientes para cada caso.

- ① Obstáculos sólo en la parte trasera (Fig. 2-7)
- ② Obstáculos sólo en la parte trasera y superior (Fig. 2-8)
- ③ Obstáculos sólo en la parte trasera y los laterales (Fig. 2-9)
- ④ Obstáculos sólo en la parte delantera (Fig. 2-10)
 - * Si utiliza una guía de salida de aire opcional, deberá dejar un espacio libre de al menos 500 mm.
- ⑤ Obstáculos sólo en la parte delantera y trasera (Fig. 2-11)
 - * Si utiliza una guía de salida de aire opcional, deberá dejar un espacio libre de al menos 500 mm.
- ⑥ Obstáculos sólo en la parte trasera, los laterales y superior (Fig. 2-12)
 - No utilice las guías para salida de aire opcionales para corriente de aire hacia arriba.

2.4.3. Cuando instale varias unidades exteriores (Consulte la página anterior)

Deje un espacio de al menos 50 mm entre las unidades para los modelos M100-140.

- ① Obstáculos sólo en la parte trasera (Fig. 2-13)
- ② Obstáculos sólo en la parte trasera y superior (Fig. 2-14)
 - No se deben instalar más de tres unidades correlativas. Además, se debe dejar el espacio indicado.
 - No utilice las guías para salida de aire opcionales para corriente de aire hacia arriba.
- ③ Obstáculos sólo en la parte delantera (Fig. 2-15)
 - * Si utiliza una guía para salida de aire opcional, el espacio libre para los modelos M100-140 debe ser de 1000 mm o más.
- ④ Obstáculos sólo en la parte delantera y trasera (Fig. 2-16)
 - * Si utiliza una guía para salida de aire opcional, el espacio libre para los modelos M100-140 debe ser de 1000 mm o más.
- ⑤ Disposición en paralelo de unidades simples (Fig. 2-17)
 - * Si utiliza una guía para salida de aire opcional instalada para que el aire salga hacia arriba, el espacio libre debe ser de 1000 mm o más.
- ⑥ Disposición en paralelo de varias unidades (Fig. 2-18)
 - * Si utiliza una guía para salida de aire opcional instalada para que el aire salga hacia arriba, el espacio libre debe ser de 1500 mm o más.
- ⑦ Disposición de unidad apilada (Fig. 2-19)
 - Se pueden apilar hasta dos unidades de altura.
 - No se deben instalar más de dos unidades correlativas. Además, se debe dejar el espacio indicado.

2. Lugar en que se instalará

2.5. Requisitos mínimos de la zona de instalación

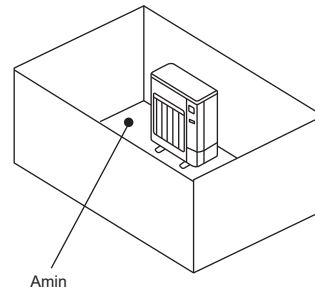
Si debe instalarse forzosamente la unidad en un espacio con los cuatro lados cerrados o elevado, compruebe que se cumpla una de estas situaciones (A, B o C).

Nota: Estas contramedidas son para mantener la seguridad y no pueden aplicarse como garantía de las especificaciones.

A) Procure el espacio suficiente para la instalación (requisitos mínimos de la zona de instalación A_{min}).

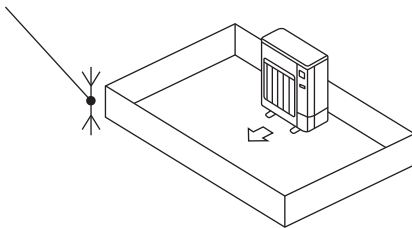
Instale el equipo en un espacio cuya zona de instalación sea como mínimo la indicada en A_{min} , correspondiente a una cantidad de refrigerante M (refrigerante cargado de fábrica + refrigerante añadido por cada cliente).

M [kg]	A_{min} [m ²]
1,0	12
1,5	17
2,0	23
2,5	28
3,0	34
3,5	39
4,0	45
4,5	50
5,0	56
5,5	62
6,0	67
6,5	73
7,0	78
7,5	84

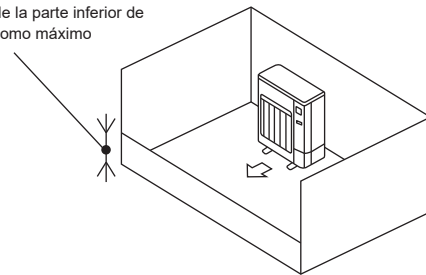


B) Instale el equipo en un espacio elevado con una altura máxima de $\leq 0,125$ [m].

Altura desde la parte inferior de 0,125 [m] como máximo



Altura desde la parte inferior de 0,125 [m] como máximo

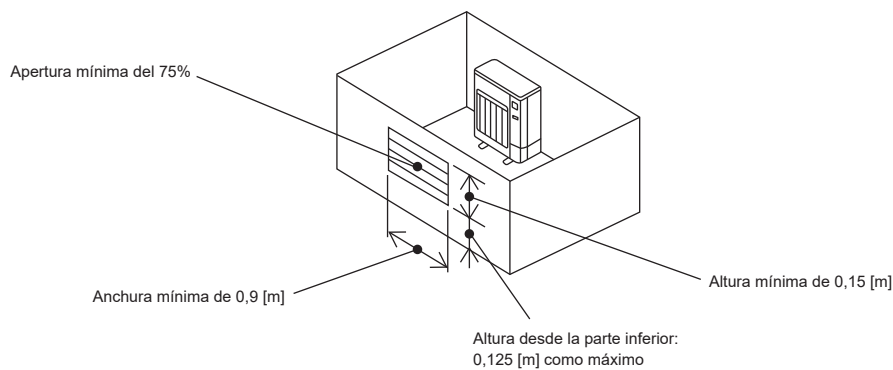


C) Cree una zona abierta para procurar una ventilación adecuada.

Compruebe que la zona abierta tenga una anchura mínima de 0,9 [m] y una altura mínima de 0,15 [m].

No obstante, la altura desde la parte inferior del espacio de instalación hasta el borde inferior de la zona abierta debe ser como máximo de 0,125 [m].

La zona abierta debe tener una apertura mínima del 75%.



2. Lugar en que se instalará

■ Unidades interiores

Instale en una sala cuya zona de suelo sea como mínimo la indicada en A_{min} , correspondiente a una cantidad de refrigerante M (refrigerante cargado de fábrica + refrigerante añadido por cada cliente).

* Si desea saber la cantidad de refrigerante cargado de fábrica, consulte la placa de especificaciones o el manual de instalación.

Para saber la cantidad que debe añadir por su cuenta, consulte el manual de instalación.

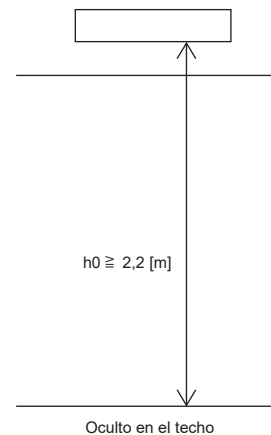
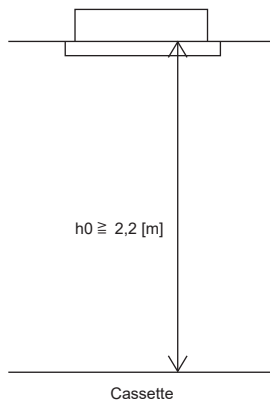
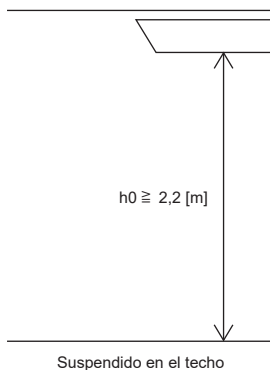
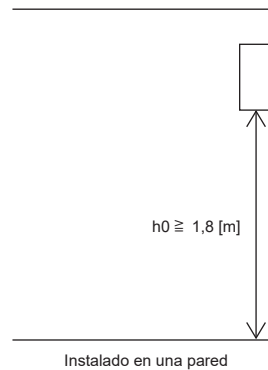
Instale la unidad interior de modo que la altura desde el suelo hasta la parte inferior de dicha unidad sea h_0 ;

instalado en una pared: 1,8 m como mínimo;

suspendido en el techo, de tipo cassette y oculto en el techo: 2,2 m como mínimo.

* Cada modelo tiene sus propias limitaciones de altura para la instalación, por lo que deberá consultar el manual de instalación para la unidad concreta.

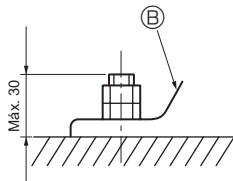
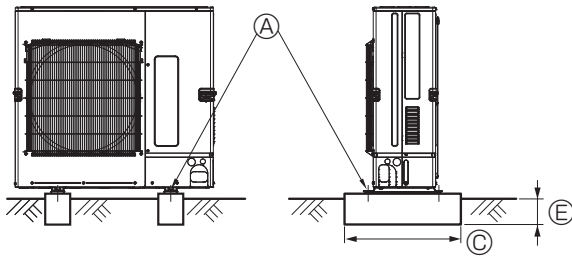
M [kg]	A_{min} [m ²]
1,0	4
1,5	6
2,0	8
2,5	10
3,0	12
3,5	14
4,0	16
4,5	20
5,0	24
5,5	29
6,0	35
6,5	41
7,0	47
7,5	54



es

3. Instalación de la unidad exterior

(mm)



- (A) Perno M10 (3/8")
- (B) Base
- (C) Lo más largo posible.
- (D) Salida de aire
- (E) Introdúzcalo bien en el suelo

- Cerciórese de instalar la unidad en una superficie robusta y nivelada para evitar los ruidos de traqueteo durante la operación. (Fig. 3-1)

<Especificaciones de la cimentación>

Perno de cimentación	M10 (3/8")
Grosor del hormigón	120 mm
Longitud del perno	70 mm
Capacidad de soporte de peso	320 kg

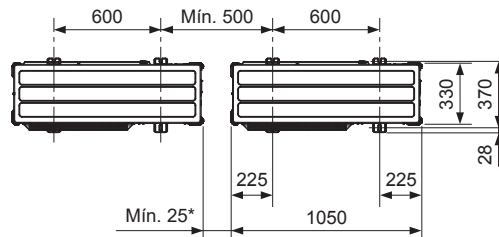
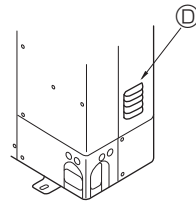
- Cerciórese de que la longitud del perno de cimentación esté dentro de 30 mm de la superficie inferior de la base.
- Asegure firmemente la base de la unidad con cuatro pernos de cimentación M10 en lugares robustos.

Instalación de la unidad exterior

- No obstruya la salida de aire. Si se obstruye la salida de aire, se puede dificultar el funcionamiento del aparato y puede causar una avería.
- Además de la base de la unidad, utilice los orificios de instalación situados en la parte trasera de la unidad para añadirle cables u otros elementos necesarios para instalar la unidad. Utilice tirafondos (ø5 × 15 mm o menos) para instalar el equipo.

⚠ Atención:

- La unidad debe instalarse firmemente sobre una estructura capaz de soportar su peso. Si la unidad se instala sobre una estructura inestable, podría caerse y provocar daños o lesiones.
- La unidad debe instalarse según las instrucciones para reducir posibles daños en caso de terremoto, huracán o vientos fuertes. Si no se instala correctamente, la unidad podría caerse y provocar daños o lesiones.



* Si instala una única unidad exterior, el espacio libre deberá ser de al menos 15 mm.

Fig. 3-1

4. Instalación de los tubos del refrigerante

4.1. Precauciones a tomar en equipos que utilicen el refrigerante R32

- Consulte la sección 1.5. para las precauciones a tomar en equipos que utilicen el refrigerante R32 y que no se encuentren a continuación.
 - Utilice aceite de éster, de éter o alquilobenceno (en pequeñas cantidades) para recubrir las secciones abocardadas.
 - Utilice tubos de cobre fosforoso del tipo C1220 y tubos de aleación de cobre sin costuras para conectar los tubos del refrigerante. Utilice tuberías para refrigerante del grosor especificado en la tabla siguiente. Asegúrese de que el interior de las tuberías está limpio y que no contienen ningún contaminante nocivo como compuestos sulfúricos, oxidantes, restos o polvo.
- Al soldar los tubos, realice siempre una soldadura no oxidante; de lo contrario, el compresor sufrirá daños.

⚠ Atención:

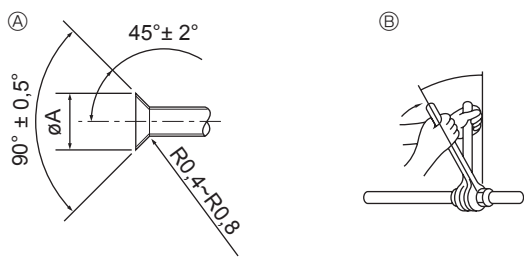
Cuando instale, mueva o revise el equipo de aire acondicionado, utilice solo el refrigerante indicado (R32) para cargar los tubos del refrigerante. No lo mezcle con otro tipo de refrigerante y vacíe completamente de aire los tubos. Si el aire se mezcla con el refrigerante, podría producir una tensión anormalmente alta en el tubo del refrigerante y ocasionar una explosión u otros peligros.

Usar un refrigerante distinto al indicado para el sistema provocará un fallo mecánico, un funcionamiento defectuoso del sistema o la avería de la unidad. En el peor de los casos, podría suponer un grave impedimento para garantizar la seguridad del producto.

Tamaño de la tubería (mm)	ø6,35	ø9,52	ø12,7	ø15,88	ø19,05	ø22,2	ø25,4	ø28,58
Grosor (mm)	0,8	0,8	0,8	1,0	1,0	1,0	1,0	1,0

- No utilice tubos con un grosor menor del especificado a continuación.
- Utilice tubos en forma de H o media H si el diámetro es de 19,05 mm o mayor.
- Disponga siempre de una ventilación adecuada para evitar posibles incendios. Además, observe las medidas adecuadas para la prevención de incendios, comprobando que no haya objetos peligrosos o inflamables en la zona circundante.

4. Instalación de los tubos del refrigerante



- Ⓐ Dimensiones del corte abocinado
 Ⓑ Torsión de apriete de la tuerca abocardada

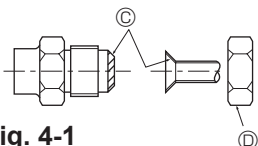


Fig. 4-1

Ⓐ (Fig. 4-1)

Tubo de cobre O.D. (mm)	Dimensiones de abocinado dimensiones ϕA (mm)
$\phi 6,35$	8,7 - 9,1
$\phi 9,52$	12,8 - 13,2
$\phi 12,7$	16,2 - 16,6
$\phi 15,88$	19,3 - 19,7
$\phi 19,05$	23,6 - 24,0

Ⓑ (Fig. 4-1)

Tubo de cobre O.D. (mm)	Tuerca de abocardado O.D. (mm)	Torsión de apriete (N·m)
$\phi 6,35$	17	14 - 18
$\phi 6,35$	22	34 - 42
$\phi 9,52$	22	34 - 42
$\phi 12,7$	26	49 - 61
$\phi 12,7$	29	68 - 82
$\phi 15,88$	29	68 - 82
$\phi 15,88$	36	100 - 120
$\phi 19,05$	36	100 - 120

4.2. Tubos de conexión (Fig. 4-1)

- Si se utilizan tubos de cobre convencionales, envuelva los tubos de gas y líquido con materiales aislantes (resistente al calor hasta 100°C o más, espesor de 12 mm o más).
- Las piezas interiores del tubo de drenaje tienen que estar envueltas en materiales aislantes de espuma de polietileno (gravedad específica de 0,03 y espesor de 9 mm o más).
- Aplique una capa delgada de aceite refrigerante a la superficie tubo y de la junta de asiento antes de apretar la tuerca de abocardado. Ⓐ
- Utilice dos llaves de apriete para apretar las conexiones de los tubos. Ⓑ
- Utilice un detector de fugas o agua jabonosa para comprobar posibles fugas de gas una vez realizadas las conexiones.
- Aplique aceite refrigerante para máquinas en toda la superficie abocinada. Ⓒ
- Utilice las tuercas abocardadas para el siguiente tamaño de tubería. Ⓓ

Lado de gas	Tamaño de la tubería (mm)	$\phi 15,88$
Lado de líquido	Tamaño de la tubería (mm)	$\phi 9,52$

- Quando doble los tubos, tenga cuidado de no romperlos. Un radio de curvatura de 100 mm a 150 mm es suficiente.
- Asegúrese de que las tuberías no tocan el compresor. Podría producir ruidos o vibraciones extrañas.
- Las tuberías se deben conectar empezando por la unidad interior. Las tuercas abocardadas se deben apretar con una llave dinamométrica.
- Caliente el tubo de líquido y el tubo de gas y aplique una fina capa de aceite de refrigeración (aplicado directamente).
- Quando utilice un sellador de tubos normal, consulte la Tabla 1 para abocardar tuberías para refrigerante R32. Para confirmar las medidas de A se puede utilizar el ajustador del tamaño.

Tabla 1 (Fig. 4-2)

Tubo de cobre O.D. (mm)	A (mm)	
	Herramienta abocinada para R32	Herramienta abocinada para R22·R407C
	Tipo gancho	
$\phi 6,35$ (1/4")	0 - 0,5	1,0 - 1,5
$\phi 9,52$ (3/8")	0 - 0,5	1,0 - 1,5
$\phi 12,7$ (1/2")	0 - 0,5	1,0 - 1,5
$\phi 15,88$ (5/8")	0 - 0,5	1,0 - 1,5
$\phi 19,05$ (3/4")	0 - 0,5	1,0 - 1,5

4.3. Tubos de refrigerante (Fig. 4-3)

Quite el panel de servicio Ⓓ (3 tornillos) y la cubierta de la tubería frontal Ⓐ (2 tornillos) y la cubierta de la tubería posterior Ⓑ (5 tornillos).

- Realice las conexiones de los tubos de refrigerante de la unidad interior/exterior con la válvula de parada de la unidad exterior completamente cerrada.
- Purgue el aire del sistema por succión en la unidad interior y tubos de conexión.
- Tras conectar las tuberías de refrigerante con la unidad interior, compruebe que no haya fugas de gas. (Consulte apartado 4.4. Prueba de fuga de gas del tubo de refrigerante.)
- En el puerto de servicio de la válvula de parada se utiliza una bomba de vacío de alto rendimiento que permite mantener el vacío durante un tiempo adecuado (al menos una hora tras alcanzar -101 kPa (5 milímetros de mercurio)) para secar por vacío el interior de las tuberías. Siempre compruebe el grado de vacío en el manómetro. Si queda humedad en la tubería, en ciertos casos no se alcanzará el nivel de vacío aplicando vacío durante poco tiempo. Tras el secado por vacío, abra completamente las válvulas de parada (tanto las de líquido como las de gas) de la unidad exterior. Esta operación le permitirá conectar completamente las líneas refrigerantes de las unidades interiores y exteriores.
 - Si el secado por vacío es inadecuado, podría quedar aire y vapor de agua en los circuitos de refrigeración, lo que provocaría un aumento anómalo de la alta presión, una caída anómala de la baja presión, el deterioro del aceite de la máquina refrigerante debido a la humedad, etc.
 - Si deja cerradas las válvulas de parada y pone en marcha la unidad, el compresor y la válvula de control sufrirán daños.
 - Utilice un detector de fugas o jabón y agua para detectar las fugas de gas en las juntas de las conexiones de los tubos de la unidad exterior.
 - No utilice el refrigerante desde la unidad para purgar el aire de las líneas de refrigerante.
 - Tras haber realizado los trabajos en las válvulas, ajuste las tuercas de las válvulas a la presión adecuada: 20 a 25 N·m (200 a 250 kgf·cm). Si no sustituye o aprieta bien las tuercas puede provocar una fuga de refrigerante. Además, evite dañar el interior de las válvulas ya que funcionan como selladoras para evitar fugas de refrigerante.
- Utilice un sellador para proteger las conexiones de los tubos y los extremos del material aislante no se impregnen de agua.

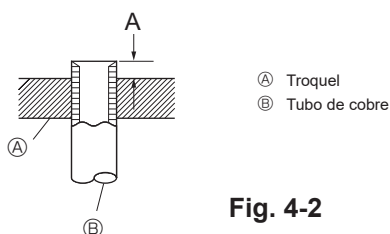
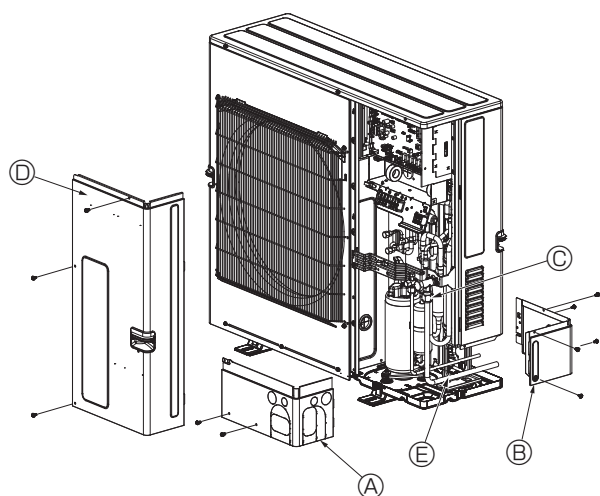


Fig. 4-2



- Ⓐ Cubierta de las tuberías delanteras
 Ⓑ Cubierta de las tuberías traseras
 Ⓒ Válvula de parada
 Ⓓ Panel de servicio
 Ⓔ Radio del codo: 100 mm-150 mm

Fig. 4-3

4. Instalación de los tubos del refrigerante

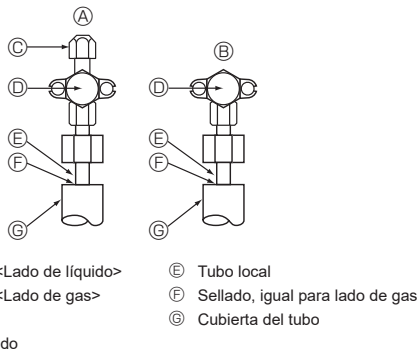


Fig. 4-4

- Ⓐ Válvula de retención <Lado de líquido>
- Ⓑ Válvula de retención <Lado de gas>
- Ⓒ Puerto de servicio
- Ⓓ Sección Abierto/Cerrado
- Ⓔ Tubo local
- Ⓕ Sellado, igual para lado de gas
- Ⓖ Cubierta del tubo

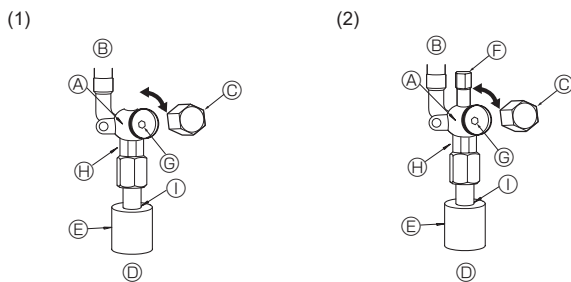


Fig. 4-5

Fig. 4-6

- Ⓐ Válvula
- Ⓑ Lado de la unidad
- Ⓒ Tapa
- Ⓓ Lado del tubo local
- Ⓔ Cubierta del tubo
- Ⓕ Puerto de servicio
- Ⓖ Orificio de llave
- Ⓗ Sección de llave doble (No utilice una llave en ninguna otra sección. De hacerlo podría provocar fugas de refrigerante.)
- Ⓘ Sección de sellado (Selle el extremo del material termoaislante en la sección de conexión del tubo con cualquier material sellante disponible, de modo que el agua no se filtre a través del material termoaislante.)

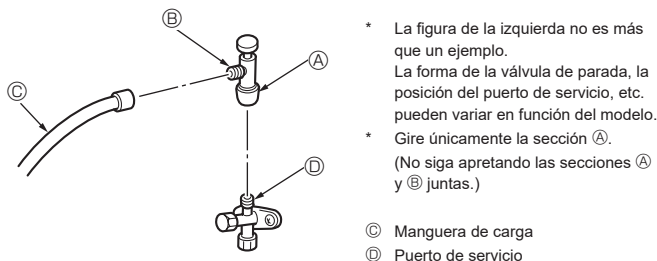


Fig. 4-7

- * La figura de la izquierda no es más que un ejemplo. La forma de la válvula de parada, la posición del puerto de servicio, etc. pueden variar en función del modelo.
- * Gire únicamente la sección Ⓐ. (No siga apretando las secciones Ⓐ y Ⓑ juntas.)
- Ⓒ Manguera de carga
- Ⓓ Puerto de servicio

4.4. Prueba de fuga de gas del tubo de refrigerante (Fig. 4-4)

- (1) Conecte las herramientas para pruebas.
 - Asegúrese de que las válvulas de parada Ⓐ Ⓑ están cerradas y no las abra.
 - Añada presión a las líneas de refrigerante a través del punto Ⓒ para reparaciones de válvula de parada de líquido Ⓐ.
- (2) No añada presión al nivel especificado de golpe; hágalo poco a poco.
 - ① Presurice a 0,5 MPa (5 kgf/cm²G), espere cinco minutos y compruebe que la presión no se ha reducido.
 - ② Presurice a 1,5 MPa (15 kgf/cm²G), espere cinco minutos y compruebe que la presión no se ha reducido.
 - ③ Presurice a 4,15 MPa (41,5 kgf/cm²G) y tome la temperatura ambiental y la presión del refrigerante.
- (3) Si la presión especificada se mantiene estable durante un día y no se reduce, las tuberías han pasado la prueba y no existe riesgo de fugas.
 - Si la temperatura ambiental cambia 1°C, la presión variará unos 0,01 MPa (0,1 kgf/cm²G). Haga las correcciones necesarias.
- (4) Si la presión se reduce en los pasos (2) o (3), hay una fuga de gas. Busque el punto de fuga del gas.

4.5. Método de apertura de la válvula de retención

El método de apertura de la válvula de retención varía según el modelo de unidad exterior. Utilice el método adecuado para abrir las válvulas de retención.

- (1) Lado de gas (Fig. 4-5)
 - ① Abra la tapa y gire la varilla de válvula hacia la izquierda hasta su tope, utilizando una llave hexagonal de 5 mm. Deje de girar cuando llega al tope. (ø15,88: Aproximadamente 13 revoluciones)
 - ② Cerciérese de que la válvula de parada esté completamente abierta y enrosque la tapa en su posición original.
- (2) Lado de líquido (Fig. 4-6)
 - ① Abra la tapa y gire la varilla de válvula hacia la izquierda hasta su tope, utilizando una llave hexagonal de 4 mm. Deje de girar cuando llega al tope. (ø9,52: Aproximadamente 10 revoluciones)
 - ② Cerciérese de que la válvula de parada esté completamente abierta, empuje la manivela y enrosque la tapa en su posición original.

Las tuberías de refrigerante están envueltas con una protección

- Los tubos se pueden envolver para su protección hasta un diámetro de ø90 antes de conectar los tubos. Corte la tapa del tubo siguiendo la guía y envuelva los tubos.

Hueco de entrada de la tubería

- Utilice masilla de minio o un sellador para sellar el extremo del tubo alrededor del tubo para que no queden espacios vacíos. (Si no se tapan los vacíos, se puede producir ruido o puede entrar agua o polvo y la unidad se podría averiar.)

Precauciones al utilizar la válvula de carga (Fig. 4-7)

No apriete demasiado el puerto de servicio cuando lo instale, de lo contrario, el núcleo de la válvula podría deformarse y quedar suelto, provocando fugas de gas. Tras situar la sección Ⓑ en la dirección deseada, gire únicamente la sección Ⓐ y apriétela.

No siga apretando las secciones Ⓐ y Ⓑ juntas tras apretar la sección Ⓐ.

⚠ Atención:

Al instalar la unidad, conecte firmemente las tuberías de refrigerante antes de poner en marcha el compresor.

4.6. Añadido de refrigerante

- Para esta unidad no hace falta una carga adicional si el tubo no tiene más de 30 m.
- Si el tubo tiene más de 30 m, cargue la unidad con refrigerante R32 adicional según las longitudes del tubo permitidas en la siguiente tabla.
 - * Con la unidad parada, cárguela con el refrigerante adicional a través de la válvula de parada de líquido después de haber aspirado los tubos y la unidad interior. Si la unidad está en marcha, añada refrigerante a la válvula de retención de gas con un cargador seguro. No añada refrigerante líquido directamente a la válvula de retención.
 - * Después de haber cargado la unidad con refrigerante, apunte la cantidad de refrigerante añadida en la etiqueta de mantenimiento (adjunta a la unidad). Para más información, consulte la sección "1.5. Utilización del refrigerante R32 para equipos de aire acondicionado".

- Tenga cuidado cuando instale varias unidades. Si conecta los tubos a una unidad interior incorrecta puede provocar una presión elevada anormal y ocasionar graves problemas al funcionamiento.
- Ⓞ Recarga de mantenimiento del R32: Antes de rellenar el equipo con R32, debe comprobarse que el equipo está totalmente desconectado de la red eléctrica para garantizar que no existe riesgo de explosión debido a chispas eléctricas.

Modelo	Distancia de tubo permitida	Diferencia vertical permitida	Cantidad de carga de refrigerante adicional					Ⓞ Cantidad máxima de refrigerante
			31 - 40 m	41 - 50 m	51 - 55 m	56 - 60 m	61 - 65 m	
M100	- 55 m	- 30 m	0,4 kg	0,8 kg	1,0 kg	—	—	4,1 kg
M125, 140	- 65 m	- 30 m	0,4 kg	0,8 kg	1,0 kg	1,2 kg	1,4 kg	5,0 kg

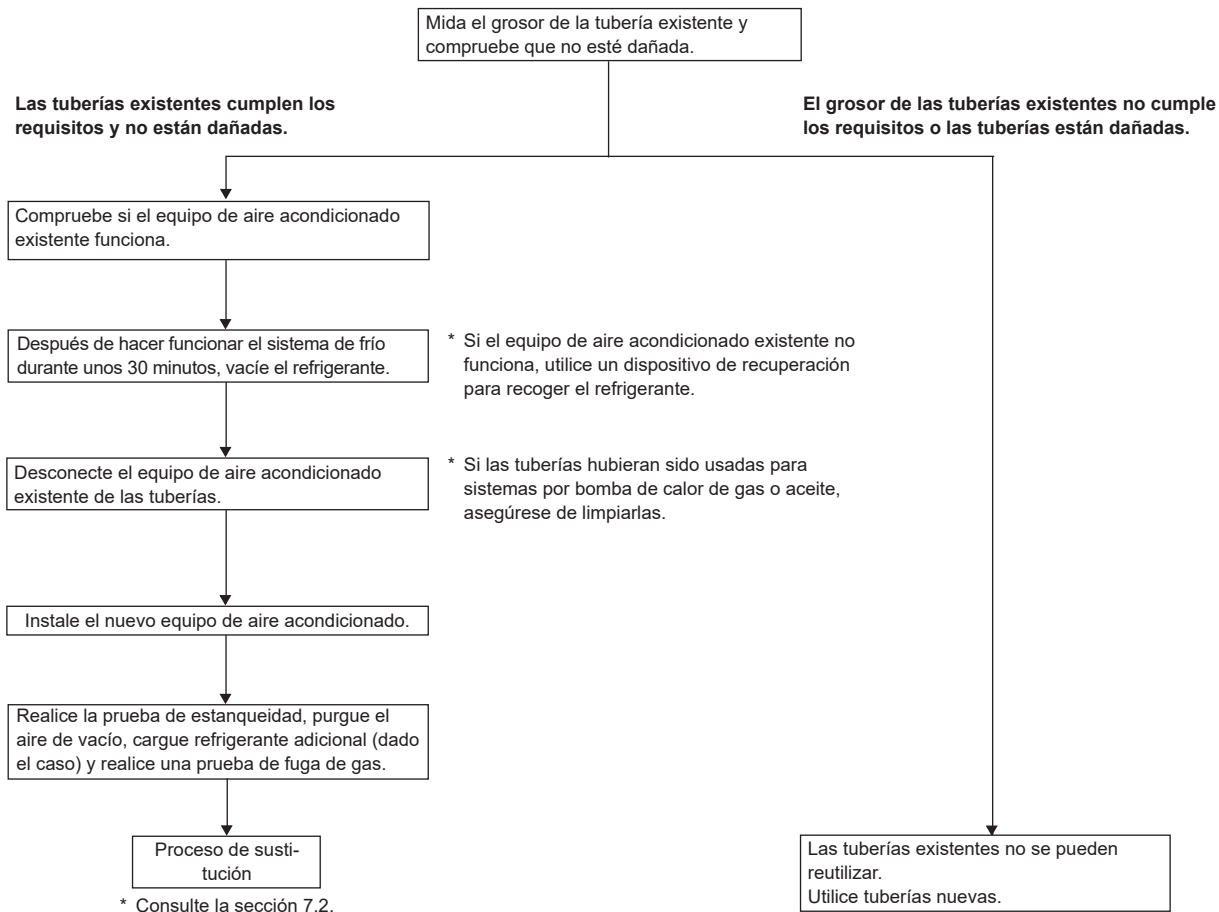
4. Instalación de los tubos del refrigerante

Relleno de la carga de refrigerante (kg) para menos de 30 m (longitud de la tubería sin carga)

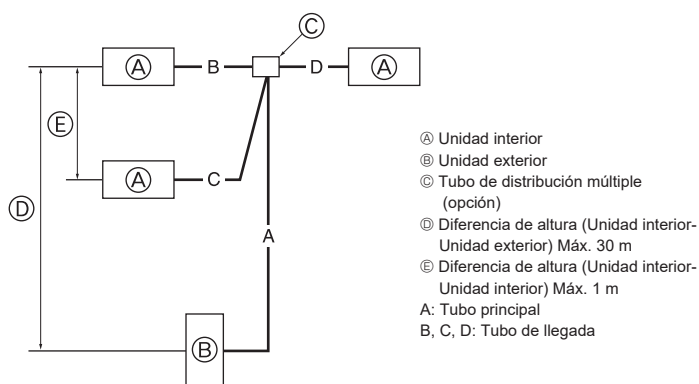
Unidad externa	5 m y menos	6 - 10 m	11 - 15 m	16 - 20 m	21 - 25 m	26 - 30 m
M100	2,0	2,2	2,4	2,6	2,8	3,1
M125, 140	2,6	2,8	3,0	3,2	3,4	3,6

4.7. Precauciones a tomar si reutiliza tuberías que contenían refrigerante R22

- Consulte la tabla siguiente para determinar si los tubos existentes se pueden usar y si es necesario utilizar un filtro secante.
- Si el diámetro de las tuberías existentes es diferente del diámetro especificado consulte los materiales de datos tecnológicos para confirmar si se pueden utilizar.



<Límites de la instalación de tubos de refrigeración>



M100 : $A+B+C (+D) \leq 55$ m
 M125, 140 : $A+B+C (+D) \leq 65$ m
 * "D" corresponde a triple.

Fig. 4-8

4.8. Para una combinación doble/triple (Fig. 4-8)

- Cuando esta unidad se utiliza como un sistema INDEPENDIENTE DE COMPONENTES MÚLTIPLES, instale los tubos de refrigeración con las restricciones que se indican en el diagrama de la izquierda. Además, si se sobrepasan dichas restricciones, o si se va a instalar una combinación de unidades internas y externas, consulte las instrucciones de instalación de la unidad interna para obtener más detalles.

Unidad exterior	Longitud total de tubos permisible A+B+C+D	B o C o D	Longitud total sin carga A+B+C+D
M100	55 m y menos	20 m y menos	30 m y menos
M125, 140	65 m y menos	20 m y menos	30 m y menos

Unidad exterior	B-C o B-D o C-D	Nº de codos
M100-140	8 m y menos	Dentro de 15

5. Tubería de drenaje

Conexión de la tubería de drenaje con la unidad exterior

Cuando sea necesario drenar la tubería, use la toma de drenaje o la batería de drenaje (opcional).

	M100-140
Toma de drenaje	PAC-SG61DS-E
Batería de drenaje	PAC-SH97DP-E

6. Trabajo eléctrico

6.1. Unidad exterior (Fig. 6-1, Fig. 6-2)

- ① Extraiga el panel de servicio.
- ② Tienda los cables de acuerdo con la Fig. 6-1 y Fig. 6-2.

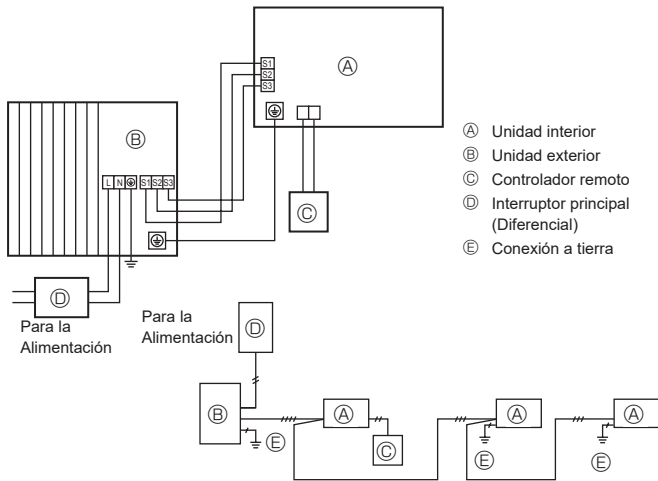


Fig. 6-1

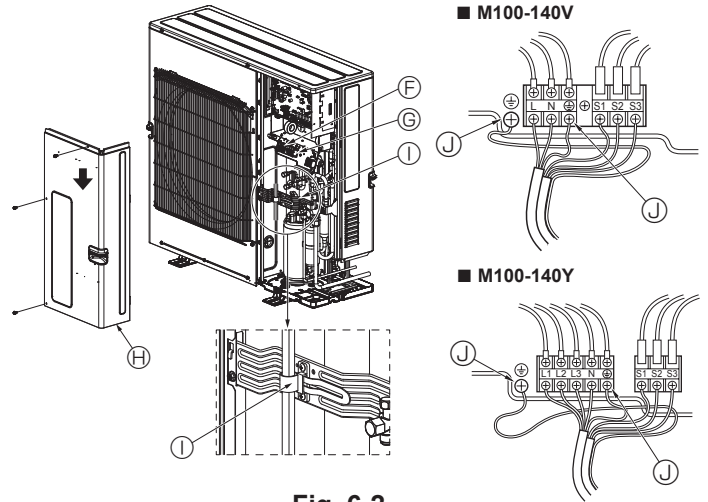


Fig. 6-2

- (F) Bloque de terminales
 (G) Bloque de terminales de la conexión interior/exterior (S1, S2, S3)
 (H) Panel de servicio
 (I) Grapa
 * Sujete los cables de forma que no entren en contacto con el centro del panel de servicio o la válvula de gas.
 (J) Tierra del terminal

Nota:

Si durante el servicio ha tenido que quitar la tapa protectora de la cajaeléctrica, debe volver a colocarla.

⚠ Cuidado:

Asegúrese de instalar la línea-N. Sin la línea-N la unidad podría resultar dañada.

6. Trabajo eléctrico

6.2. Unidad exterior

Modelo de la unidad exterior		M100, 125V	M140V	M100, 125, 140Y
Unidad exterior alimentación		~N (Monofase), 50 Hz, 230 V	~N (Monofase), 50 Hz, 230 V	3N~ (4 cables 3 fases), 50 Hz, 400 V
Capacidad de entrada de la unidad exterior Interruptor principal (Diferencial)	*1	32 A	40 A	16 A
Cableado Cable n.º x tamaño (mm ²)	Unidad exterior alimentación	3 x Mín. 6	3 x Mín. 6	5 x Mín. 1,5
	Unidad interior-unidad exterior	3 x 1,5 (Polar)	3 x 1,5 (Polar)	3 x 1,5 (Polar)
	Cable a tierra de la unidad interior y de la unidad exterior	1 x Mín. 1,5	1 x Mín. 1,5	1 x Mín. 1,5
	Control remoto - unidad interior	2 x 0,3 (No-polar)	2 x 0,3 (No-polar)	2 x 0,3 (No-polar)
Rango del circuito	Unidad exterior L-N (Monofase)			
	Unidad exterior L1-N, L2-N, L3-N (3 fases)	*4	230 VCA	230 VCA
	Unidad interior-unidad exterior S1-S2	*4	230 VCA	230 VCA
	Unidad interior-unidad exterior S2-S3	*4	24 VCC	24 VCC
	Control remoto - unidad interior	*4	12 VCC	12 VCC

*1. Utilice un disyuntor automático de fugas a tierra (NV) con una separación mínima de contacto de 3,0 mm en cada uno de los polos.

Asegúrese de que el disyuntor de corriente es compatible con corrientes armónicas más altas.

Utilice siempre un disyuntor de corriente compatible con corrientes armónicas más altas ya que esta unidad está equipada con un conmutador.

El uso de un disyuntor inadecuado puede hacer que el conmutador no funcione correctamente.

*2. Máx. 45 m

Si se utiliza cable de 2,5 mm², máx. 50 m

Si se utiliza cable de 2,5 mm² y S3 por separado, máx. 80 m

*3. Se coloca un cable de 10 m al accesorio del controlador remoto.

*4. Los valores NO siempre se aplican a la toma a tierra.

El terminal S3 dispone de 24 VCC frente al terminal S2. Entre S3 y S1, estos terminales NO están aislados eléctricamente por el transformador u otro dispositivo.



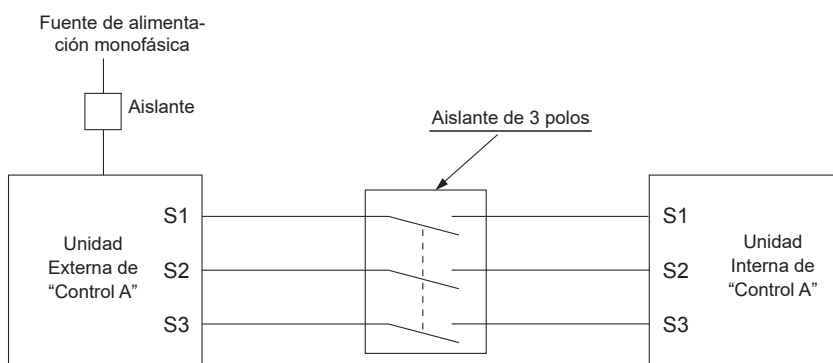
Notas: 1. El diámetro de los cables debe cumplir la normativa local y nacional.

2. Los cables de alimentación y los que conectan la unidad interior y la exterior deben tener una resistencia mínima equiparable a los cables flexibles revestidos de policloropreno. (Diseño 60245 IEC 57)

3. Utilice un cable a tierra más largo que los demás cables de modo que no pueda desconectarse cuando se ejerza tensión.

4. Utilice cables de distribución autoextinguibles para el cableado eléctrico.

5. Tienda con cuidado los cables para evitar el contacto con el borde metálico de la tapa o con la punta de un tornillo.



⚠ Atención:

- Si hay un cableado de control A habrá un alto voltaje potencial en el terminal S3 causado por un diseño de circuito eléctrico que no incluye aislamiento entre la línea de alimentación y la línea de señal de comunicación. Por ello es necesario que desconecte la alimentación principal antes de reparar la unidad. No toque nunca los terminales S1, S2 y S3 mientras esté conectada la alimentación eléctrica. Si debe utilizar el aislante entre la unidad interior y la unidad exterior, utilice el tipo de aislante de 3 polos.

No empalme nunca el cable de corriente o el cable de la conexión interior-exterior, de lo contrario se podrían provocar humo, un incendio o un fallo en la comunicación.

Asegúrese de conectar directamente los cables de conexión interior- exterior a las unidades (no hay conexiones intermedias).

Las conexiones intermedias pueden dar lugar a errores de comunicación si entra agua en los cables y ocasionar que el aislamiento a tierra sea insuficiente o que el contacto eléctrico sea deficiente en el punto de conexión intermedio.

7. Prueba de funcionamiento

7.1. Antes de realizar las pruebas

- ▶ Después de la instalación de tubos y cables en las unidades interior y exterior, compruebe que no haya escapes de refrigerante, que no se haya aflojado ni la fuente de alimentación ni el cableado de control, que la polaridad no sea errónea y que no se haya desconectado ninguna fase de la alimentación.
- ▶ Utilice un megaohmímetro de 500 V para comprobar que la resistencia entre los bornes de alimentación y la tierra es como mínimo de 1 MΩ.
- ▶ No efectúe esta prueba en los bornes de los cables de control (circuito de bajo voltaje).

⚠ Atención:

No utilice el aire acondicionado si la resistencia de aislamiento es inferior a 1 MΩ.

Resistencia del aislamiento

Después de la instalación, o después de un prolongado período de desconexión del aparato, la resistencia del aislamiento será inferior a 1 MΩ debido a la acumulación de refrigerante en el compresor. Esto no es una avería. Siga los siguientes pasos:

1. Retire los cables del compresor y mida la resistencia del aislamiento del compresor.
2. Si la resistencia del aislamiento es menor de 1 MΩ, el compresor está dañado o la resistencia ha descendido por la acumulación de refrigerante en el compresor.
3. Después de conectar los cables al compresor, éste empezará a calentarse después de volver a restablecerse el suministro de corriente. Después de restablecer la corriente según los intervalos que se detallan a continuación, vuelva a medir la resistencia del aislamiento.

- La resistencia del aislamiento se reduce debido a la acumulación de refrigerante en el compresor. La resistencia volverá a subir por encima de 1 MΩ después de que el compresor haya funcionado durante 4 horas. (El tiempo requerido para calentar el compresor varía según las condiciones atmosféricas y la acumulación de refrigerante.)
 - Para hacer funcionar un compresor con refrigerante acumulado, se debe calentar durante al menos 12 horas para evitar que se averíe.
4. Si la resistencia del aislamiento es superior a 1 MΩ, el compresor no está averiado.

⚠ Precaución:

- El compresor no funcionará a menos que la conexión de fase de la fuente de alimentación sea correcta.
- Conecte la corriente al menos 12 horas antes de que empiece a funcionar el equipo.
- Si se acciona inmediatamente después de haberlo conectado a la corriente, pueden producirse daños graves en las piezas internas. Mantenga la unidad conectada a la corriente durante la temporada de funcionamiento.

▶ También debe comprobar lo siguiente.

- La unidad exterior no está averiada. Los indicadores LED1 y LED2 del cuadro de control parpadean cuando la unidad exterior está averiada.
- Tanto las válvulas de gas como las de líquido están completamente abiertas.
- La superficie del panel de los conmutadores DIP del cuadro de control de la unidad exterior está protegida por una tapa. Quite la tapa protectora para manejar los conmutadores DIP fácilmente.

7.2. Prueba de funcionamiento

7.2.1. Al usar SW4 en la unidad exterior

SW4-1	ON	Funcionamiento del enfriamiento
SW4-2	OFF	
SW4-1	ON	Funcionamiento del de la calefacción
SW4-2	ON	

- * Después de la realización de las pruebas, ponga SW4-1 en OFF.
- Después de conectar la corriente, se puede oír un pequeño "clik" del interior de la unidad exterior. La válvula electrónica de expansión se irá abriendo y cerrando. La unidad no está averiada.
- A los pocos segundos de funcionar el compresor, se puede oír un pequeño sonido metálico del interior de la unidad exterior. El sonido lo produce la válvula de retención por la pequeña diferencia de presión de las tuberías. La unidad no está averiada.

El modo de prueba de funcionamiento no se puede cambiar por el conmutador DIP SW4-2 durante la prueba. (Para cambiar el modo de prueba de funcionamiento durante la prueba, pare la prueba con el conmutador DIP SW4-1. Después de cambiar el modo de prueba de funcionamiento, reanude la prueba con el conmutador SW4-1.)

7.2.2. Uso del control remoto

Consulte el manual de instalación de la unidad interior.

Nota :

Puede que ocasionalmente, el vapor que se libera con la descongelación aparezca como si fuera humo saliendo de la unidad exterior.

8. Funciones especiales

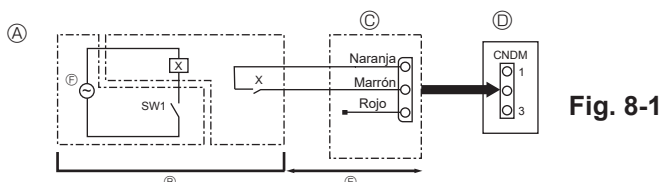


Fig. 8-1

- Ⓐ Ejemplo de diagrama de circuito (modo de reducción del ruido)
 Ⓑ Arreglo in situ
 Ⓒ Adaptador de contacto externo (PAC-SC36NA-E)
 X: Relé
- Ⓓ Cuadro de control de la unidad exterior
 Ⓔ Máx. 10 m
 Ⓕ Fuente de alimentación del relé

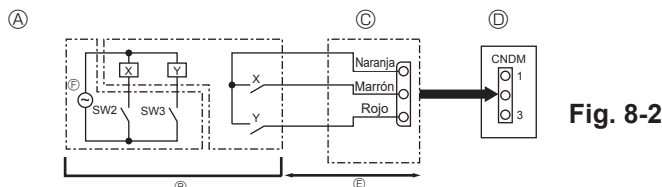


Fig. 8-2

- Ⓐ Ejemplo de diagrama de circuito (Función de demanda)
 Ⓑ Arreglo in situ
 X, Y: Relé
- Ⓒ Adaptador de contacto externo (PAC-SC36NA-E)
 Ⓓ Cuadro de control de la unidad exterior
 Ⓔ Máx. 10 m
 Ⓕ Fuente de alimentación del relé

8.1. Modo de reducción del ruido (modificación in situ) (Fig. 8-1)

Si lleva a cabo las siguientes modificaciones, puede reducir el ruido de la unidad exterior en 3 o 4 dB.

El modo de reducción del ruido se activará cuando añada un programador (disponible en los comercios) o si al conector CNDM (que se vende por separado) del cuadro de control de la unidad exterior se le añade una entrada por contacto de un interruptor de Encendido/Apagado.

- La disponibilidad varía según la temperatura exterior, las condiciones atmosféricas, etc.
- ① Complete el circuito como se muestra utilizando el adaptador de contacto externo (PAC-SC36NA-E). (Se vende por separado)
- ② SW7-1 en (Cuadro de control de la unidad exterior): OFF
- ③ SW1 en posición ON: Modo de reducción del ruido
 SW1 en posición OFF: Funcionamiento normal

8.2. Función de demanda (modificación in situ) (Fig. 8-2)

Si lleva a cabo la siguiente modificación, el consumo de energía se puede reducir a 0-100% del consumo normal.

La función de demanda se activará al agregar un temporizador comercial o la entrada de contacto de un interruptor ON/OFF al conector CNDM (opcional) del panel de control de la unidad exterior.

- ① Complete el circuito como se muestra utilizando el adaptador de contacto externo (PAC-SC36NA-E). (Se vende por separado)
- ② Si se ajustan los interruptores SW7-1 del panel de control de la unidad exterior, el consumo de energía (en comparación con el consumo normal) podrá limitarse tal y como se muestra más abajo.

	SW7-1	SW2	SW3	consumo de energía
Función de demanda	ON	OFF	OFF	100%
		ON	OFF	75%
		ON	ON	50%
		OFF	ON	0% (detenido)

8. Funciones especiales

8.3. Recuperación del refrigerante (vaciado)

Para recuperar el refrigerante cuando mueva la unidad interior o exterior siga los siguientes pasos.

- ① Fuente de alimentación (disyuntor).
 - * Cuando haya restablecido la corriente, asegúrese de que en la pantalla del controlador remoto no aparece "CENTRALLY CONTROLLED". Si aparece "CENTRALLY CONTROLLED" no se puede recuperar el refrigerante (vaciado) de manera normal.
 - * La comunicación entre la unidad interior y exterior se inicia aproximadamente 3 minutos después de conectar la alimentación (disyuntor). Inicie la operación de vaciado entre 3 y 4 minutos después de que se haya conectado la alimentación (disyuntor).
- ② Después de cerrar la válvula de líquido, sitúe el interruptor SWP del cuadro de control de la unidad exterior en posición ON. El compresor (unidad exterior) y los ventiladores (unidad interior y exterior) se ponen en marcha y empieza el proceso de recuperación del refrigerante. Los indicadores LED1 y LED2 del cuadro de control de la unidad exterior están encendidos.
 - * Sólo coloque el interruptor SWP (botón tipo pulsador) en la posición ON si la unidad está parada. Aún y así, incluso si la unidad está parada y el interruptor SWP está en posición ON menos de 3 minutos después de que el compresor se haya parado, la operación de recuperación del refrigerante no se puede realizar. Espere 3 minutos después de que el compresor se haya parado y vuelva a poner el interruptor SWP en posición ON.

- ③ Dado que la unidad se para automáticamente al cabo de 2 o 3 minutos de terminar el proceso de recuperación del refrigerante (el indicador LED1 está apagado y el indicador LED2 encendido), asegúrese de cerrar rápidamente la válvula de parada de gas. Si el indicador LED1 está encendido y el indicador LED2 apagado, y la unidad exterior está parada, el proceso de recuperación del refrigerante no se lleva a cabo correctamente. Abra completamente la válvula de parada de líquido y repita el paso ② al cabo de 3 minutos.
 - * Si la operación de recuperación del refrigerante se ha completado con éxito (el indicador LED1 está apagado y el indicador LED2 encendido), la unidad continuará parada hasta que se corte la corriente.
- ④ Corte la corriente (disyuntor).
 - * Tenga en cuenta que cuando la tubería de extensión es muy larga y contiene una gran cantidad de refrigerante, es posible que no se pueda realizar una operación de vaciado. Cuando realice esta operación, asegúrese de que la presión ha descendido a casi 0 Mpa (manómetro).

⚠ Atención:

Al realizar el vaciado del refrigerante, detenga el compresor antes de desconectar las tuberías de refrigerante. El compresor podría explotar si entra aire, etc. en su interior.

9. Sistema de control (Fig. 9-1)

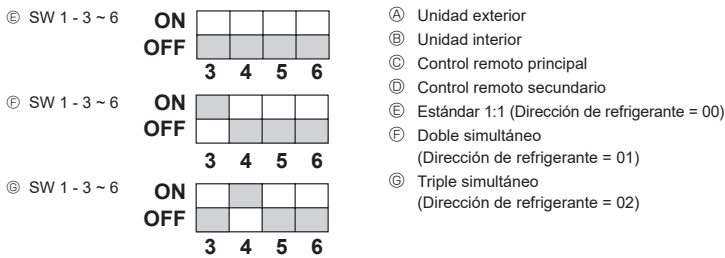


Fig. 9-1

* Ajuste la dirección de refrigerante utilizando el interruptor DIP de la unidad exterior.

① Cableado desde el control remoto

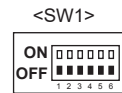
Este cable se conecta a TB5 (bloque de terminales del control remoto) de la unidad interior (sin polaridad).

② Cuando esté utilizando un agrupamiento de sistemas de refrigerante diferente. Utilizando un control remoto fino MA podrán controlarse como un grupo hasta 16 sistemas de refrigerante.

Nota:

Si se utiliza un único sistema refrigerante (doble/triple) no es necesario llevar cable a ②.

SW1
Tabla de funciones



	Función	Funcionamiento según el ajuste del interruptor	
		Activado	Desactivado
SW1 Ajustes de función	1 Desescarchado obligatorio	Iniciar	Normal
	2 Borrado del registro histórico de errores	Borrar	Normal
	3 Ajuste de la dirección del sistema refrigerante	Ajustes de las direcciones 0 a 15 de la unidad exterior	
	4		
	5		
	6		

Indice

1. Misure di sicurezza.....	1	6. Collegamenti elettrici.....	10
2. Luogo in cui installare.....	2	7. Prova di funzionamento.....	12
3. Installazione della sezione esterna.....	6	8. Funzioni speciali.....	12
4. Installazione della tubazione del refrigerante.....	6	9. Controllo del sistema (Fig. 9-1).....	13
5. Installazione della tubazione di drenaggio.....	10		



Nota: Questo simbolo è destinato solo ai paesi dell'UE.

Il simbolo è conforme alla direttiva 2012/19/UE, Articolo 14, "Informazioni per utenti" e Allegato IX.

Questo prodotto MITSUBISHI ELECTRIC è stato fabbricato con materiali e componenti di alta qualità, che possono essere riciclati e riutilizzati. Questo simbolo significa che i prodotti elettrici ed elettronici devono essere smaltiti separatamente dai rifiuti casalinghi alla fine della loro vita di servizio. Per disfarsi di questo prodotto, portarlo al centro di raccolta/riciclaggio dei rifiuti solidi urbani locale. Nell'Unione Europea ci sono sistemi di raccolta differenziata per i prodotti elettrici ed elettronici usati. Aiutateci a conservare l'ambiente in cui viviamo!

⚠ Cautela:

- Non scaricare R32 nell'atmosfera.

1. Misure di sicurezza

- ▶ Leggere attentamente la sezione "Misure di sicurezza" prima di far funzionare l'unità.
- ▶ Prima di collegare l'equipaggiamento alla rete di alimentazione, contattare o chiedere l'autorizzazione dell'autorità competente.
- ▶ L'unità PUZ-M-Y è progettata per applicazioni commerciali e di industria leggera.
- ▶ Attrezzatura conforme alle norme IEC/EN 61000-3-12 (PUZ-M100/125/140V)

⚠ Avvertenza:

Descrive le precauzioni da prendere per evitare il rischio di lesioni, anche mortali, per l'utente.

⚠ Cautela:

Descrive le precauzioni da prendere per evitare il danneggiamento dell'unità.

SIGNIFICATO DEI SIMBOLI VISUALIZZATI SULL'UNITÀ

	AVVERTENZA (Rischio di incendio)	Questo marchio è riservato unicamente al refrigerante R32. Il tipo di refrigerante è scritto sulla targhetta dell'unità esterna. Nel caso in cui il tipo di refrigerante sia R32, questa unità utilizza un refrigerante infiammabile. Qualora dovesse fuoriuscire o entrare in contatto con il fuoco o con una fonte di calore, il refrigerante darà origine a gas nocivo e rischio di incendio.
		Prima dell'utilizzo, leggere attentamente le ISTRUZIONI DI FUNZIONAMENTO.
		Prima dell'utilizzo, il personale di assistenza deve leggere le ISTRUZIONI DI FUNZIONAMENTO e il MANUALE DI INSTALLAZIONE.
		È possibile trovare ulteriori informazioni nelle ISTRUZIONI DI FUNZIONAMENTO, nel MANUALE DI INSTALLAZIONE e documenti simili.

⚠ Avvertenza:

- L'unità non deve essere montata dall'utente. Chiedere a un distributore o a una società autorizzata di installare e riparare l'unità. Se l'unità è stata installata in modo non corretto, possono verificarsi perdite d'acqua, scosse elettriche o incendi.
- Per le attività di installazione e spostamento, seguire le istruzioni nel Manuale d'installazione e utilizzare gli strumenti e i componenti dei tubi specificamente previsti per il refrigerante R32. L'utilizzo di componenti dei tubi non adatti al refrigerante di tipo R32 e un'installazione scorretta dell'unità possono causare lo scoppio dei tubi, provocando danni e lesioni. Inoltre, si possono verificare perdite di acqua, scosse elettriche o incendi.
- L'unità deve essere montata conformemente alle istruzioni, riducendo al minimo il rischio di possibili danni causati da terremoti, tifoni o forti raffiche di vento. Se installata in maniera scorretta, può cadere e provocare danni e lesioni.
- Installare l'unità in maniera sicura su una struttura in grado di sostenerne il peso. Se montata su una struttura instabile, l'unità potrebbe cadere e provocare danni e lesioni.
- Nel caso il condizionatore venisse installato in un ambiente piccolo, è consigliabile prendere i dovuti accorgimenti per evitare che nella stanza, nel caso di una perdita di refrigerante, si formi una concentrazione di refrigerante superiore ai limiti di sicurezza. Per maggiori informazioni sulle misure adatte ad evitare il superamento dei limiti di concentrazione stabiliti, consultare un rivenditore. Eventuali perdite di refrigerante o il superamento dei limiti di concentrazione possono causare situazioni di pericolo imputabili alla mancanza di ossigeno nella stanza.
- In presenza di perdite di refrigerante durante il funzionamento, aerare la stanza. A contatto con una fiamma, il refrigerante può rilasciare gas tossici.
- Tutti gli interventi elettrici devono essere eseguiti da un tecnico qualificato, rispettando le normative locali e le istruzioni riportate nel presente manuale. Le unità devono essere alimentate da linee elettriche dedicate e con il voltaggio corretto; è inoltre necessario utilizzare appositi interruttori di circuito. Le linee elettriche con una capacità insufficiente o un'attività elettrica non idonee possono provocare scosse elettriche o incendi.
- Per tutti i tubi continui in rame e lega di rame, per collegare i tubi di refrigerazione, utilizzare rame fosforoso C1220. Nel caso di errato collegamento dei tubi, l'unità non sarà messa a terra correttamente, con un conseguente rischio di scossa elettrica.
- Questo apparecchio deve essere utilizzato da utenti esperti o appositamente formati, per negozi, industria leggera e aziende agricole, oppure da persone comuni nell'ambito di un uso commerciale.
- Utilizzare esclusivamente i cablaggi specificati. I collegamenti devono essere fatti in condizioni di sicurezza, senza tensione sui connettori. Inoltre, non giuntare mai i cablaggi (se non diversamente indicato nel presente documento). La mancata osservanza di queste istruzioni può essere causa di surriscaldamento o incendio.
- Se il cavo di alimentazione è danneggiato, deve essere sostituito dal fabbricante, dal responsabile addetto all'assistenza o da personale ugualmente qualificato, in modo da scongiurare pericoli.
- L'apparecchio deve essere installato in conformità con gli standard normativi nazionali sul cablaggio.
- Il pannello di copertura della morsetteria dell'unità esterna deve essere fissato saldamente. Se il pannello di copertura non è montato correttamente e nell'unità penetrano polvere ed umidità, vi è il rischio di scosse elettriche o di incendio.
- Durante l'installazione o il trasloco, o quando si sottopone ad assistenza il condizionatore d'aria, utilizzare solo il refrigerante specificato (R32) per ricaricare i tubi del refrigerante. Non mescolarlo con nessun altro tipo di refrigerante e non consentire all'aria di restare all'interno dei tubi. Qualora dell'aria si mescoli con il refrigerante, potrebbe far innalzare in modo anomalo la pressione nel tubo del refrigerante, il che potrebbe provocare un'esplosione o altri pericoli. L'uso di refrigeranti diversi da quello specificato per il sistema provocherà guasti meccanici, malfunzionamenti del sistema o la rottura dell'unità. Nel peggiore dei casi, questo potrebbe impedire seriamente di garantire la messa in sicurezza del prodotto.
- Utilizzare soltanto gli accessori autorizzati dalla Mitsubishi Electric e richiedere a un rivenditore o a un tecnico autorizzato di provvedere all'installazione. Un montaggio non corretto degli accessori può causare perdite di acqua, scosse elettriche o incendi.
- Non modificare la struttura dell'unità. Per le riparazioni, consultare un rivenditore. Eventuali modifiche o riparazioni non eseguite correttamente possono provocare perdite di acqua, scosse elettriche o incendi.
- L'utente non dovrebbe mai tentare di riparare l'unità o spostarla in un'altra sede. Un montaggio scorretto dell'unità può essere causa di perdite di acqua, scosse elettriche o incendi. Per riparare o spostare il condizionatore contattare un rivenditore o un tecnico specializzato.
- Terminata l'installazione, accertarsi che non vi siano perdite di refrigerante. Eventuali perdite di refrigerante nella stanza a contatto con una fiamma possono causare la formazione di gas tossici.
- Non utilizzare mezzi diversi da quelli consigliati dal produttore per accelerare il processo sbrinatorio o per la pulizia.
- Questo apparecchio deve essere conservato in una stanza priva di fonti di accensione in continuo funzionamento (ad esempio: fiamme libere, un apparecchio a gas in funzione o una stufa elettrica in funzione).
- Non forare né bruciare.
- Si tenga presente che i refrigeranti potrebbero essere inodori.
- I tubi devono essere protetti dai danni fisici.
- L'installazione dei tubi deve essere mantenuta al minimo.
- È necessario osservare la conformità con i regolamenti nazionali in materia di gas.
- Mantenere le aperture di ventilazione libere da ostruzioni.
- Non utilizzare una lega di saldatura a bassa temperatura per la brasatura di tubi del refrigerante.
- Durante i lavori di brasatura, assicurarsi di ventilare a sufficienza la stanza. Assicurarsi che non siano presenti materiali pericolosi o infiammabili nelle vicinanze. Quando si effettuano lavori in una stanza chiusa, in un ambiente ristretto o simili, assicurarsi che non vi siano perdite di refrigerante prima di iniziare il lavoro. Se il refrigerante perde e crea accumuli, può incendiarsi o sprigionare gas velenosi.
- Riporre l'apparecchiatura in un'area ben ventilata le cui dimensioni corrispondano alla superficie della stanza, in base a quanto indicato per il funzionamento.
- Tenere apparecchiature a gas, stufe elettriche e altre fonti di fiamme (fonti di accensione) lontano dal luogo in cui vengono effettuate le operazioni di installazione, riparazione e altri interventi al condizionatore d'aria.
- Se il refrigerante viene a contatto con una fiamma, si potrebbero generare gas velenosi.
- Non fumare durante il lavoro e il trasporto.

it

1. Misure di sicurezza

1.1. Prima dell'installazione

⚠ Cautela:

- Non utilizzare l'unità in un ambiente insolito. Se installata in zone esposte a vapore, olio volatile (compreso l'olio per macchine), gas sulfureo, in zone a elevato contenuto salino, tra cui le località marittime o in aree dove l'unità rischia di venire ricoperta dalla neve, le sue prestazioni potrebbero essere notevolmente pregiudicate e i componenti interni potrebbero essere danneggiati.
- Non installare l'unità dove si possono verificare perdite, produzione, flusso o accumulo di gas. Nel caso di accumulo di gas attorno all'unità, si possono verificare incendi ed esplosioni.

- Durante la fase di riscaldamento, l'unità esterna produce condensa. Provvedere a un apposito sistema di scarico attorno all'unità esterna nel caso questa condensa possa provocare dei danni.
- Qualora l'unità venisse installata in un ospedale o in uffici aperti al pubblico, considerare che essa potrà essere fonte di rumorosità ed interferenze con le apparecchiature elettroniche. Gli inverter, le applicazioni domestiche, le attrezzature mediche ad alta frequenza e le apparecchiature di radiocomunicazione possono provocare danni o rotture del condizionatore. Il condizionatore può anche influire sul funzionamento delle attrezzature mediche, disturbandone le prestazioni e le apparecchiature di comunicazione, pregiudicando la qualità di visualizzazione sullo schermo.

1.2. Prima dell'installazione (spostamento)

⚠ Cautela:

- Durante il trasporto o l'installazione delle unità, prestare estrema attenzione. L'unità pesa oltre 20 kg, quindi per poterla maneggiare sono necessarie due o più persone. Non afferrare l'unità dai nastri di imballaggio. Per estrarre l'unità dalla confezione e per spostarla indossare appositi guanti protettivi, per scongiurare il ferimento dei palmi delle mani o di altre estremità del corpo.
- Smaltire in maniera sicura il materiale di imballaggio. Il materiale di imballaggio, tra cui i chiodi e altre parti in metallo o legno, possono causare ferite da punta o altri tipi di lesione.

- La base e gli elementi di fissaggio dell'unità esterna devono essere sottoposti a controlli periodici, accertando che non siano allentati, fessurati o danneggiati in altro modo. Se non si eliminano questi difetti, l'unità può cadere e causare danni e lesioni.
- Non pulire il condizionatore con acqua. Rischio di scossa elettrica.
- Stringere tutti i dadi svasati utilizzando una chiave dinamometrica. Se stretto troppo, il dado svasato dopo un periodo prolungato si può rompere, causando una perdita di refrigerante.

1.3. Prima dell'esecuzione degli interventi elettrici

⚠ Cautela:

- Accertarsi di aver installato gli interruttori di circuito. In caso contrario, esiste il rischio di scossa elettrica.
- Per le linee di alimentazione utilizzare cavi standard di capacità sufficiente. In caso contrario, rischio di cortocircuito, surriscaldamento o incendio.
- Durante l'installazione delle linee di alimentazione, non mettere i cavi sotto tensione. In presenza di connessioni lente, i cavi possono fuoriuscire e rompersi, causando surriscaldamento o incendio.

- Mettere a terra l'unità. Non collegare il cavo di messa a terra alle linee del gas o dell'acqua, ai parafulmini o alle linee di messa a terra telefoniche. Se non messa a terra correttamente, l'unità può causare scosse elettriche.
- Usare interruttori di circuito (interruttore di guasti a terra, sezionatore (fusibile +B) e interruttore di circuito a corpo sagomato) con la capacità specificata. Una capacità dell'interruttore di circuito superiore a quella specificata può causare guasti o incendi.

1.4. Prima di iniziare il ciclo di prova

⚠ Cautela:

- Azionare l'interruttore principale almeno 12 ore prima di avviare l'impianto. L'avvio dell'impianto immediatamente dopo l'azionamento dell'interruttore principale può danneggiare gravemente le parti interne. Mantenere l'interruttore principale azionato per l'intera stagione operativa.
- Prima di avviare l'impianto, accertarsi che tutti i pannelli, le protezioni ed altri elementi di sicurezza siano installati correttamente. Gli elementi rotanti, caldi o ad alta tensione possono provocare lesioni.
- Non toccare nessun interruttore con le mani umide. Rischio di scossa elettrica.

- Non toccare i tubi del refrigerante a mani nude durante il funzionamento. I tubi del refrigerante possono essere estremamente caldi o freddi, secondo le condizioni del flusso del refrigerante. Il contatto con i tubi può quindi provocare ustioni o congelamento.
- A funzionamento terminato, attendere almeno cinque minuti prima di spegnere l'interruttore principale. Diversamente, si possono verificare perdite di acqua o guasti.

1.5. Utilizzo dei condizionatori caricati con refrigerante R32

⚠ Cautela:

- Per tutti i tubi continui in rame e lega di rame, per collegare i tubi di refrigerazione, utilizzare rame fosforoso C1220. Accertarsi che le parti interne dei tubi siano pulite e che non contengano agenti contaminanti dannosi, tra cui composti solfurei, ossidanti, detriti o polvere. Usare tubi dello spessore specificato. (Vedere a 4.1.) Nel caso si intenda riutilizzare i tubi già esistenti con i quali sia stato utilizzato il refrigerante R22, notare quanto segue.
 - Sostituire i dadi svasati presenti e svasare nuovamente le sezioni svasate.
 - Non utilizzare tubi sottili. (Vedere a 4.1.)
- Conservare i tubi da utilizzare durante l'installazione in un ambiente chiuso e mantenere sigillate entrambe le estremità dei tubi fino a poco prima di procedere con la brasatura. (Lasciare le giunzioni a gomito ecc. nella confezione.) La presenza di polvere, detriti o umidità nelle linee dei refrigeranti, può causare il deterioramento dell'olio e guastare il compressore.
- Come olio di refrigerazione da applicare alle sezioni svasate, usare olio esterico, eterico, olio di alchilbenzolo (in quantità limitate). Mescolando l'olio minerale con l'olio di refrigerazione si può provocare un deterioramento dell'olio.

- La manutenzione deve essere effettuata solo in base alle raccomandazioni del produttore.
- Non utilizzare altri refrigeranti diversi dal tipo R32.
- Per il refrigerante R32, usare i seguenti strumenti appositi. Con il refrigerante R32 sono richiesti i seguenti strumenti. Per qualsiasi informazione aggiuntiva, contattare il rivenditore più vicino.

Strumenti (per R32)	
Calibro tubo	Utensile di svasatura
Tubo di caricamento	Calibro di regolazione misura
Rilevatore di perdite di gas	Adattatore pompa a vuoto
Chiave dinamometrica	Bilancia elettronica di caricamento refrigerante

- Accertarsi di utilizzare gli strumenti adatti. La presenza di polvere, detriti o umidità nelle linee dei refrigeranti, può causare il deterioramento dell'olio.

2. Luogo in cui installare

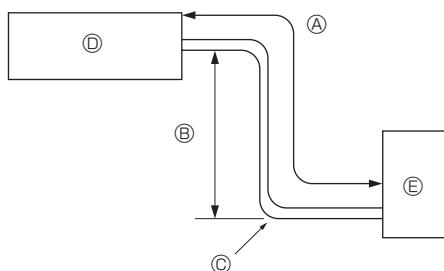


Fig. 2-1

2.1. Tubazione del refrigerante (Fig. 2-1)

- Verificare che il dislivello fra le sezioni interna ed esterna, la lunghezza della tubazione del refrigerante ed il numero di pieghe sulla stessa siano entro i limiti indicati nella tabella sottostante.

Modelli	Ⓐ Lunghezza della tubazione (una direzione)	Ⓑ Dislivello	Ⓒ Numero di pieghe (una direzione)
M100	Max. 55 m	Max. 30 m	Max. 15
M125/140	Max. 65 m	Max. 30 m	Max. 15

- Le specifiche del dislivello sono valide per qualsiasi installazione delle sezioni interna ed esterna, indipendentemente da quale unità si trova in posizione più elevata.
 - Ⓓ Sezione interna
 - Ⓔ Sezione esterna

2. Luogo in cui installare

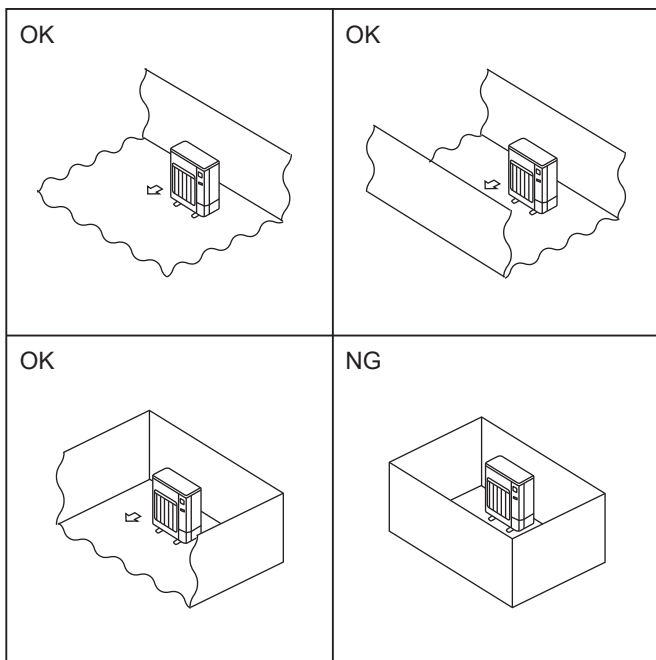


Fig. 2-2

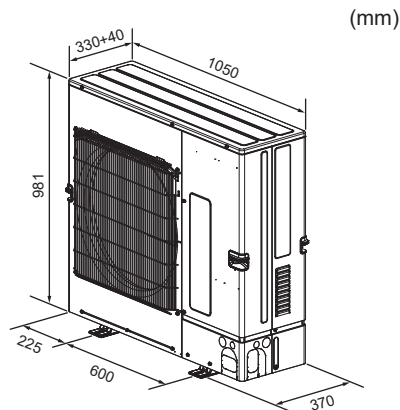


Fig. 2-3

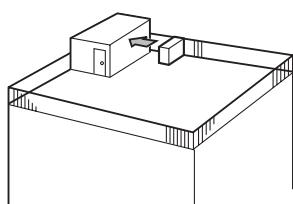


Fig. 2-4

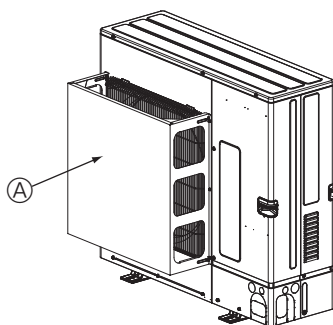


Fig. 2-5

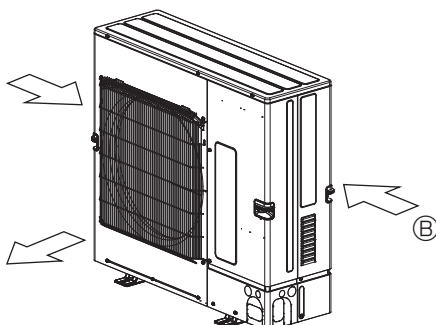


Fig. 2-6

2.2. Scelta del luogo di installazione dell'unità esterna

- Ⓞ L'R32, come gli altri refrigeranti, è più pesante dell'aria e pertanto tende ad accumularsi alla base (in prossimità del pavimento). Se l'R32 si accumula attorno alla base, può raggiungere una concentrazione infiammabile se l'ambiente è piccolo. Per evitare l'ignizione, è necessario mantenere un ambiente di lavoro sicuro, garantendo una corretta aerazione. Se viene constatata una perdita di refrigerante in un ambiente o un'area in cui l'aerazione è insufficiente, evitare di utilizzare fiamme fino a quando non è possibile migliorare l'ambiente di lavoro garantendo una corretta aerazione.
- Evitare i luoghi esposti alla luce solare diretta o altre fonti di calore.
- Scegliere un luogo dove il rumore emesso dall'unità non disturbi i vicini.
- Scegliere un luogo che consenta di eseguire facilmente i cablaggi ed accedere ai tubi della fonte di alimentazione e dell'unità interna.
- Evitare i luoghi dove si possono verificare perdite, produzione, flusso o accumulo di gas.
- Notare che durante il funzionamento si possono verificare perdite di acqua dall'unità.
- Scegliere un luogo piano in grado di supportare il peso e le vibrazioni dell'unità.
- Evitare di installare l'unità dove possa venire ricoperta dalla neve. Nelle zone in cui le precipitazioni nevose vengono previste in anticipo, prendere particolari precauzioni, ad esempio aumentando l'altezza di installazione o installando un cappuccio nella presa d'aria, in modo da evitare che la neve possa ostruire la presa d'aria o possa soffiare direttamente contro di essa. Questi fenomeni possono ridurre il flusso dell'aria e causare anomalie.
- Evitare i luoghi esposti agli schizzi di olio, vapore o al gas solfureo.
- Per trasportare l'unità usare le apposite maniglie dell'unità esterna. Trasportando l'unità dal fondo, mani o dita possono rimanere schiacciate.
- Il collegamento dei tubi del refrigerante deve essere accessibile a scopo di manutenzione.
- Ⓞ Installare unità esterne in un luogo in cui sia aperto almeno un lato su quattro e in uno spazio di grandezza sufficiente e privo di depressioni. (Fig. 2-2)

2.3. Dimensioni (Sezione esterna) (Fig. 2-3)

2.4. Ventilazione e spazio di servizio

2.4.1. Installazione in una posizione ventosa

Nel caso l'unità esterna venisse montata in cima a un tetto o in un altro punto non protetto dal vento, posizionare l'uscita dell'aria dell'unità in modo da non esporla direttamente ai venti forti. Eventuali raffiche di vento, penetrando nella bocca di uscita dell'aria, possono impedire il normale flusso dell'aria e causare anomalie.

Le istruzioni riportate di seguito illustrano tre esempi di misure di protezione dai venti forti.

- ① Posizionare la bocca di uscita dell'aria verso la parete più vicina, mantenendola a circa 500 mm di distanza dalla parete. (Fig. 2-4)
- ② Installare una guida per la bocca di uscita dell'aria opzionale nel caso l'unità venga installata in un luogo dove vento forte causato da tifoni o da fenomeni simili possono penetrare direttamente nella bocca di uscita dell'aria. (Fig. 2-5)
 - Ⓐ Guida per la bocca di uscita dell'aria
- ③ Se possibile, posizionare l'unità in modo che la bocca di uscita soffi perpendicolarmente alla direzione del vento stagionale. (Fig. 2-6)
 - Ⓑ Direzione del vento

2.4.2. Installazione di un'unica unità esterna (Consultare l'ultima pagina)

Le dimensioni minime sono le seguenti, eccetto per i valori Max., i quali indicano le dimensioni massime.

Fare riferimento alle figure per ciascun caso.

- ① Solo ostacoli posteriori (Fig. 2-7)
- ② Solo ostacoli posteriori e superiori (Fig. 2-8)
- ③ Solo ostacoli posteriori e laterali (Fig. 2-9)
- ④ Solo ostacoli anteriori (Fig. 2-10)
 - * Nel caso si utilizzi la guida della bocca di uscita aria opzionale, il gioco previsto è di almeno 500 mm.
- ⑤ Solo ostacoli anteriori e posteriori (Fig. 2-11)
 - * Nel caso si utilizzi la guida della bocca di uscita aria opzionale, il gioco previsto è di almeno 500 mm.
- ⑥ Solo ostacoli posteriori, laterali e superiori (Fig. 2-12)
 - Non utilizzare le guide per la bocca di uscita opzionale per il flusso dell'aria verso l'alto.

2.4.3. Installazione di diverse unità esterne (Consultare l'ultima pagina)

Lasciare almeno 50 mm di spazio per M100-140 tra le unità.

- ① Solo ostacoli posteriori (Fig. 2-13)
- ② Solo ostacoli posteriori e superiori (Fig. 2-14)
 - Non affiancare più di tre unità. Inoltre lasciare lo spazio indicato.
 - Non utilizzare le guide per la bocca di uscita opzionale per il flusso dell'aria verso l'alto.
- ③ Solo ostacoli anteriori (Fig. 2-15)
 - * Nel caso si utilizzi la guida della bocca di uscita aria opzionale, il gioco previsto per i modelli M100-140 è di almeno 1000 mm.
- ④ Solo ostacoli anteriori e posteriori (Fig. 2-16)
 - * Nel caso si utilizzi la guida della bocca di uscita aria opzionale, il gioco previsto per i modelli M100-140 è di almeno 1000 mm.
- ⑤ Disposizione di unità singole parallele (Fig. 2-17)
 - * Nel caso si utilizzi una guida della bocca di uscita aria opzionale installata per il flusso verso l'alto, il gioco previsto è di almeno 1000 mm.
- ⑥ Disposizione di diverse unità parallele (Fig. 2-18)
 - * Nel caso si utilizzi una guida della bocca di uscita aria opzionale, il gioco previsto è di almeno 1500 mm.
- ⑦ Disposizione unità sovrapposte (Fig. 2-19)
 - È consentito sovrapporre al massimo due unità.
 - Non affiancare più di due unità sovrapposte. Inoltre lasciare lo spazio indicato.

2. Luogo in cui installare

2.5. Area di installazione minima

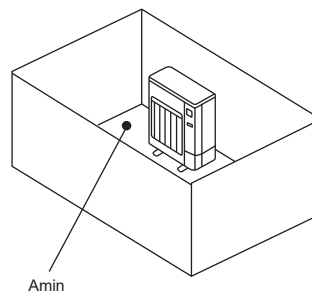
Se un'unità viene inevitabilmente installata in uno spazio in cui tutti e quattro i lati sono bloccati o in presenza di depressioni, verificare che venga soddisfatta una di queste situazioni (A, B o C).

Nota: Queste contromisure sono mirate al mantenimento della sicurezza, ma non sono a garanzia delle specifiche.

A) Assicurare uno spazio di installazione sufficiente (area minima di installazione A_{min}).

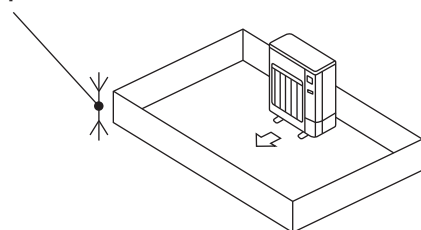
Effettuare l'installazione in uno spazio con un'area di installazione A_{min} o superiore, corrispondente alla quantità di refrigerante M (refrigerante caricato in fabbrica + refrigerante aggiunto localmente).

M [kg]	A_{min} [m ²]
1,0	12
1,5	17
2,0	23
2,5	28
3,0	34
3,5	39
4,0	45
4,5	50
5,0	56
5,5	62
6,0	67
6,5	73
7,0	78
7,5	84

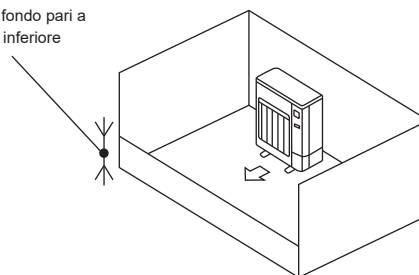


B) Effettuare l'installazione in uno spazio con un'altezza di depressione pari a $\leq 0,125$ [m].

Altezza dal fondo pari a
0,125 [m] o inferiore



Altezza dal fondo pari a
0,125 [m] o inferiore

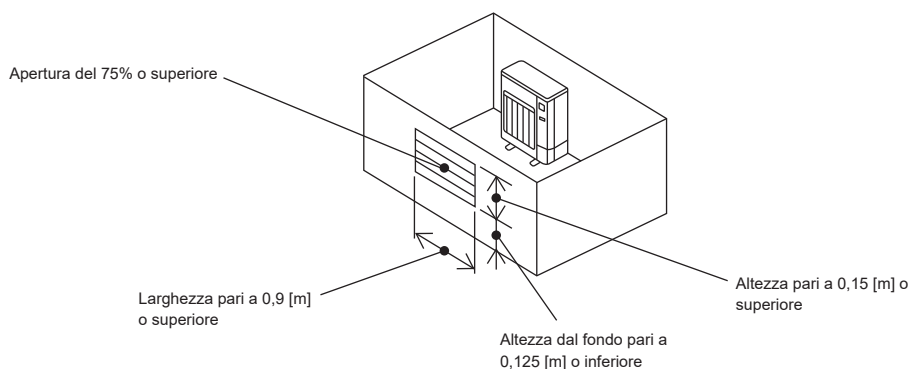


C) Creare un'area di aerazione aperta opportuna.

Assicurarsi che la larghezza dell'area aperta sia pari o superiore a 0,9 [m] e che l'altezza dell'area aperta sia pari o superiore a 0,15 [m].

Tuttavia, l'altezza dal fondo dello spazio di installazione al bordo inferiore dell'area aperta deve essere pari a 0,125 [m] o inferiore.

L'area aperta deve essere pari o superiore al 75%.



2. Luogo in cui installare

■ Unità interne

Effettuare l'installazione in un ambiente con una superficie A_{min} o superiore, corrispondente alla quantità di refrigerante M (refrigerante caricato in fabbrica + refrigerante aggiunto localmente).

* Per la quantità di refrigerante caricato in fabbrica, fare riferimento alla targhetta delle specifiche o al manuale d'installazione.

Per la quantità da aggiungere localmente, fare riferimento al manuale d'installazione.

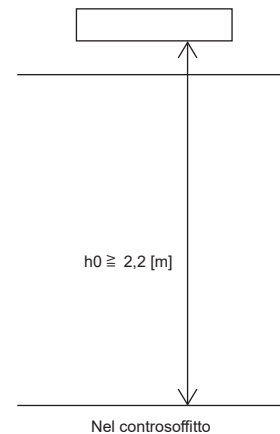
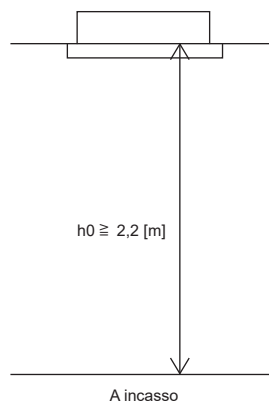
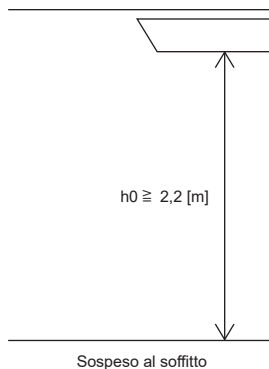
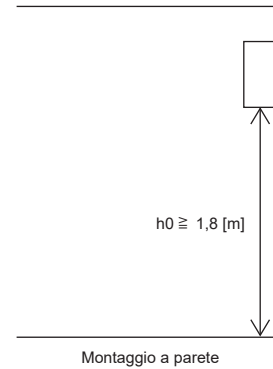
Installare l'unità interna in modo che l'altezza dal pavimento al fondo dell'unità interna sia pari a h_0 ;

per il montaggio a parete: 1,8 m o superiore;

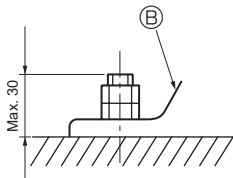
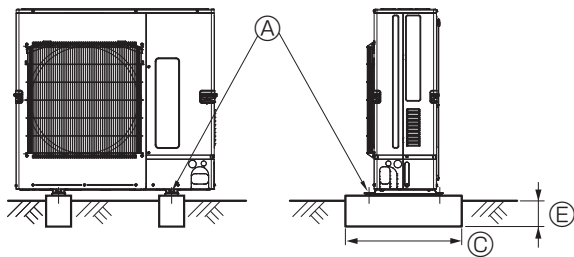
per il montaggio sospeso al soffitto, a incasso e nel controsoffitto: 2,2 m o superiore.

* Vi sono limiti di altezza di installazione per ciascun modello, quindi è importante leggere il manuale d'installazione per l'unità specifica.

M [kg]	A_{min} [m ²]
1,0	4
1,5	6
2,0	8
2,5	10
3,0	12
3,5	14
4,0	16
4,5	20
5,0	24
5,5	29
6,0	35
6,5	41
7,0	47
7,5	54



3. Installazione della sezione esterna



- Ⓐ Bullone M10 (3/8")
- Ⓑ Base
- Ⓒ Quanto più lungo possibile.
- Ⓓ Valvola
- Ⓔ Installare a terra in profondità

(mm)

- Assicurarsi di installare l'unità su una superficie solida e in piano, per evitare rumori di sbattimento durante il funzionamento. (Fig. 3-1)

<Specifiche delle fondamenta>

Bullone fondamenta	M10 (3/8")
Spessore del cemento	120 mm
Lunghezza del bullone	70 mm
Capacità di carico	320 kg

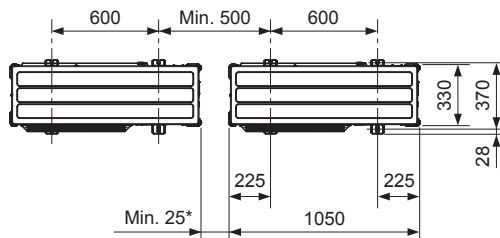
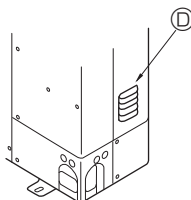
- Assicurarsi che la lunghezza del bullone fondamenta non superi 30 mm rispetto alla superficie inferiore della base.
- Assicurare saldamente la base dell'unità con quattro bulloni fondamenta M10 in punti sufficientemente solidi.

Installazione dell'unità esterna

- Non bloccare la valvola. Il blocco della valvola può impedire il funzionamento dell'impianto e provocare guasti.
- Oltre alla base dell'unità, utilizzare i fori di installazione previsti sul retro dell'unità per collegare i cavi ecc., se necessario per installare l'unità. Utilizzare viti autofillettanti ($\varnothing 5 \times 15$ mm o meno) ed eseguire l'installazione sul posto.

⚠ Avvertenza:

- L'unità deve essere installata in maniera sicura su una struttura in grado di sostenerne il peso. Se montata su una struttura instabile, l'unità potrebbe cadere e causare danni e lesioni.
- L'unità deve essere montata conformemente alle istruzioni, riducendo al minimo il rischio di possibili danni causati da terremoti, tifoni o forti raffiche di vento. Se installata in maniera scorretta, un'unità può cadere e causare danni e lesioni.



* Quando si installa un'unica unità esterna, il gioco previsto è di almeno 15 mm.

Fig. 3-1

4. Installazione della tubazione del refrigerante

4.1. Precauzioni per gli impianti che utilizzano il refrigerante tipo R32

- Per ulteriori precauzioni non riportate di seguito sull'impiego dei condizionatori con refrigerante R32, vedere a 1.5.
 - Come olio di refrigerazione da applicare alle sezioni svasate, usare olio eterico, eterico, olio di alchilbenzolo (in quantità limitate).
 - Per tutti i tubi continui in rame e lega di rame, per collegare i tubi di refrigerazione, utilizzare rame fosforoso C1220. Usare i tubi del refrigerante dello spessore specificato nella tabella in basso. Accertarsi che le parti interne dei tubi siano pulite e che non contengano agenti contaminanti dannosi, tra cui composti solfurei, ossidanti, detriti o polvere.
- Per evitare di danneggiare il compressore, procedere ad una brasatura dei tubi che non produca ossidazione.

⚠ Avvertenza:

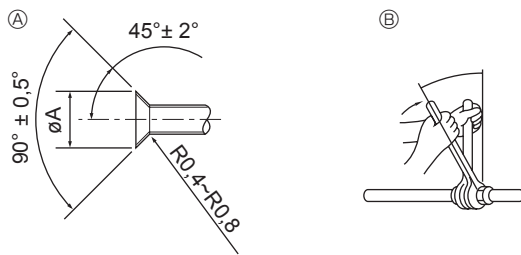
Durante l'installazione o il trasloco, o quando si sottopone ad assistenza il condizionatore d'aria, utilizzare solo il refrigerante specificato (R32) per ricaricare i tubi del refrigerante. Non mescolarlo con nessun altro tipo di refrigerante e non consentire all'aria di restare all'interno dei tubi. Qualora dell'aria si mescoli con il refrigerante, potrebbe far innalzare in modo anomalo la pressione nel tubo del refrigerante, il che potrebbe provocare un'esplosione o altri pericoli.

L'uso di refrigeranti diversi da quello specificato per il sistema provocherà guasti meccanici, malfunzionamenti del sistema o la rottura dell'unità. Nel peggiore dei casi, questo potrebbe impedire seriamente di garantire la messa in sicurezza del prodotto.

Dimensione tubo (mm)	ø6,35	ø9,52	ø12,7	ø15,88	ø19,05	ø22,2	ø25,4	ø28,58
Spessore (mm)	0,8	0,8	0,8	1,0	1,0	1,0	1,0	1,0

- Non utilizzare tubi più sottili di quanto specificato in precedenza.
- Se il diametro è uguale o superiore a 19,05 mm, utilizzare tubi 1/2 H o H.
- Assicurarsi che sia presente un'aerazione idonea per evitare l'ignizione. Inoltre, assicurarsi di implementare misure di prevenzione degli incendi e che non siano presenti oggetti pericolosi o infiammabili nell'area circostante.

4. Installazione della tubazione del refrigerante



Ⓐ Dimensioni di taglio per raccordo a cartella
Ⓑ Coppia di serraggio del dado a cartella

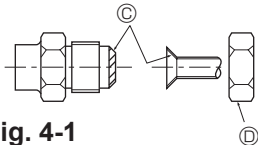


Fig. 4-1

Ⓐ (Fig. 4-1)

D.E. del tubo di rame (mm)	Dimensioni cartella dimensioni ϕA (mm)
$\phi 6,35$	8,7 - 9,1
$\phi 9,52$	12,8 - 13,2
$\phi 12,7$	16,2 - 16,6
$\phi 15,88$	19,3 - 19,7
$\phi 19,05$	23,6 - 24,0

Ⓑ (Fig. 4-1)

D.E. del tubo di rame (mm)	D.E. del dado a cartella (mm)	Coppia di serraggio (N·m)
$\phi 6,35$	17	14 - 18
$\phi 6,35$	22	34 - 42
$\phi 9,52$	22	34 - 42
$\phi 12,7$	26	49 - 61
$\phi 12,7$	29	68 - 82
$\phi 15,88$	29	68 - 82
$\phi 15,88$	36	100 - 120
$\phi 19,05$	36	100 - 120

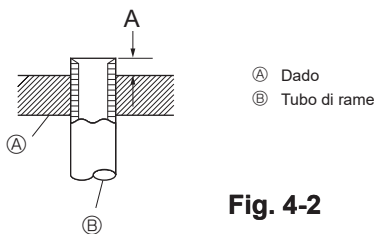
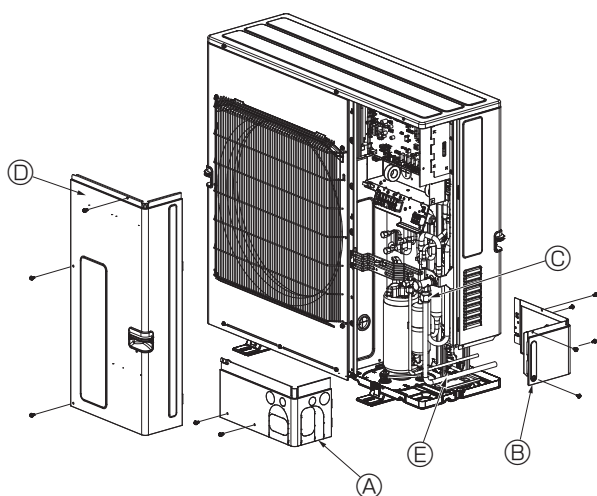


Fig. 4-2



Ⓐ Coperchio della tubazione anteriore
Ⓑ Coperchio della tubazione posteriore
Ⓒ Valvola d'arresto
Ⓓ Pannello di servizio
Ⓔ Raggio della curva : 100 mm - 150 mm

Fig. 4-3

4.2. Collegamento dei tubi (Fig. 4-1)

- Se vengono utilizzati dei tubi di rame disponibili in commercio, avvolgere del materiale di isolamento, disponibile in commercio, attorno ai tubi del liquido e del gas (resistente alla temperatura di 100°C o superiore, spessore di almeno 12 mm).
- Le parti interne del tubo di drenaggio devono essere ricoperte di materiale di isolamento in schiuma di polietilene (gravità specifica di 0,03, spessore di almeno 9 mm).
- Stendere uno strato sottile di oliorefrigerante sul tubo e collegare la superficie di appoggio prima di serrare il dado a cartella. Ⓐ
- Serrare i raccordi dei tubi usando due chiavi. Ⓑ
- Una volta terminato il collegamento, usare un rivelatore di perdite di gas od una soluzione di acqua e sapone per controllare la presenza di eventuali perdite di gas.
- Applicare olio adatto alle macchine di refrigerazione sull'intera superficie di alloggiamento svasata. Ⓒ
- Utilizzare i dadi a cartella per le seguenti dimensioni di tubazioni. Ⓓ

Lato gas	Dimensioni tubo (mm)	$\phi 15,88$
Lato liquidi	Dimensioni tubo (mm)	$\phi 9,52$

- Nel caso si dovessero piegare i tubi, fare attenzione a non romperli. I raggi di piegatura compresi tra 100 mm e 150 mm sono sufficienti.
- Accertarsi che i tubi non vengano a contatto con il compressore. Possibili conseguenze sono una rumorosità anomala e vibrazioni.
- ① Collegare i tubi partendo dall'unità interna. Stringere le viti svasate con una chiave dinamometrica.
- ② Svasare i tubi del liquido e del gas ed applicare un sottile strato di olio di refrigerazione (da applicare in loco).
- Nel caso si utilizzi un sistema di sigillatura dei tubi tradizionale, per maggiori indicazioni sulla svasatura dei tubi del refrigerante R32, vedere la tabella 1. Il calibro di regolazione misura può essere utilizzato per confermare le misure A.

Tabella 1 (Fig. 4-2)

D.E. del tubo di rame (mm)	A (mm)	
	Attrezzo per raccordi a cartella per R32	Attrezzo per raccordi a cartella per R22-R407C
	Tipo a innesto	
$\phi 6,35$ (1/4")	0 - 0,5	1,0 - 1,5
$\phi 9,52$ (3/8")	0 - 0,5	1,0 - 1,5
$\phi 12,7$ (1/2")	0 - 0,5	1,0 - 1,5
$\phi 15,88$ (5/8")	0 - 0,5	1,0 - 1,5
$\phi 19,05$ (3/4")	0 - 0,5	1,0 - 1,5

4.3. Tubazione del refrigerante (Fig. 4-3)

Rimuovere il pannello di servizio Ⓓ (3 viti), il lato anteriore del pannello di copertura Ⓐ (2 viti) e il lato posteriore del pannello di copertura Ⓑ (5 viti).

- ① Eseguire i collegamenti delle tubazioni refrigerante per l'unità interna/esterna quando la valvola d'arresto dell'unità esterna è completamente chiusa.
- ② Vuotare l'aria dalla sezione interna e dalla tubazione di collegamento.
- ③ Dopo aver collegato i tubi del refrigerante, controllare gli altri tubi collegati e l'unità interna per verificare la presenza di eventuali perdite di gas. (Consultare il punto 4.4. Tubo del refrigerante e metodo di verifica tenuta.)
- ④ Una pompa a vuoto ad elevate prestazioni è usata all'apertura di servizio della valvola di arresto per mantenere il vuoto per un tempo adeguato (almeno un'ora dopo aver raggiunto -101 kPa (5 Torr)) al fine di asciugare a vuoto l'interno dei tubi. Controllare sempre il grado di vuoto presso il collettore strumenti. Nel caso sia rimasta umidità nel tubo, il grado di vuoto talvolta non è raggiunto applicando il vuoto per breve tempo. Dopo l'asciugatura a vuoto, aprire completamente le valvole di arresto (liquido e gas) per l'unità esterna. Questo permette di collegare completamente le linee refrigeranti interna ed esterna.
 - Se l'asciugatura a vuoto non è adeguata, all'interno delle linee potrebbero rimanere aria e vapore acqueo con la possibile conseguenza di un aumento anomalo dell'alta pressione, un abbassamento anomalo della bassa pressione, un deterioramento dell'olio refrigerante a causa dell'umidità, ecc.
 - Lasciando chiuse le valvole di arresto e mettendo in funzione l'unità, si rischia di danneggiare il compressore e le valvole di controllo.
 - Utilizzare un rivelatore di perdite o acqua saponata per verificare la presenza di eventuali perdite di gas nelle sezioni di giunzione dei tubi dell'unità esterna.
 - Non utilizzare il refrigerante dell'unità per spurgare l'aria dai tubi del refrigerante.
 - Terminato il lavoro con le valvole, stringere i cappucci delle valvole con la coppia di serraggio corretta: da 20 a 25 N·m (da 200 a 250 kgf·cm). Se i cappucci non vengono sostituiti o stretti come previsto, si possono verificare perdite di refrigerante. Inoltre, non danneggiare la parte interna dei cappucci in quanto essi fungono da tenuta per prevenire eventuali perdite di refrigerante.
- ⑤ Utilizzare il sigillante per sigillare le estremità dell'isolamento termico attorno alle sezioni di giunzione dei tubi per prevenire la penetrazione dell'acqua nell'isolamento termico.

4. Installazione della tubazione del refrigerante

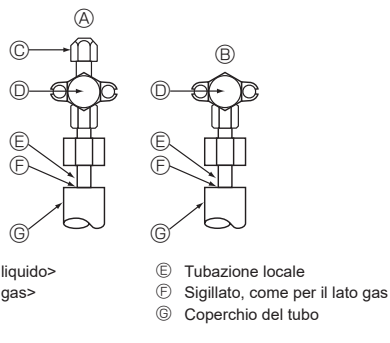


Fig. 4-4

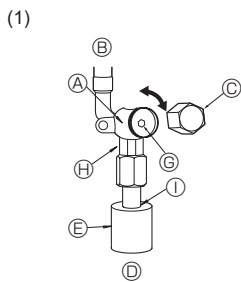


Fig. 4-5

- A) Valvola
- B) Lato unità
- C) Cappuccio
- D) Lato tubazione locale
- E) Coperchio della tubazione
- F) Attacco di servizio
- G) Foro per la chiave

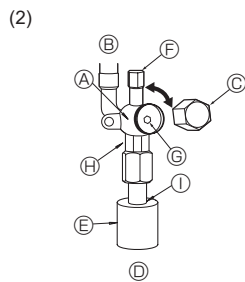


Fig. 4-6

- H) Sezione doppia chiave
(Non utilizzare una chiave se non in questo punto. Potrebbero verificarsi perdite di refrigerante.)
- I) Sezione tenuta
(Sigillare l'estremità del materiale isolante termico nel punto di collegamento delle tubazioni con qualsiasi materiale sigillante a disposizione, in modo che l'acqua non s'infiltri nel materiale termico isolante.)

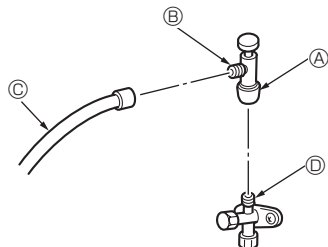


Fig. 4-7

- * La figura a sinistra costituisce un semplice esempio. La forma della valvola di arresto, la posizione dell'apertura di servizio, ecc., possono variare in funzione del modello.
- * Ruotare solo la parte A.
(Non serrare ulteriormente le parti A e B l'una con l'altra.)

- C) Tubo di caricamento
- D) Apertura di servizio

4.4. Tubo del refrigerante e metodo di verifica tenuta (Fig. 4-4)

- (1) Collegare gli strumenti di verifica.
 - Accertarsi che le valvole di arresto (A) e (B) siano chiuse e non aprirle.
 - Aggiungere pressione alle linee del refrigerante attraverso il punto per interventi di servizio (C) della valvola di arresto del liquido (A).
- (2) Aggiungere gradualmente la pressione alla pressione specificata.
 - ① Pressurizzare a 0,5 MPa (5 kgf/cm²G), attendere cinque minuti ed accertarsi che la pressione non scenda.
 - ② Pressurizzare a 1,5 MPa (15 kgf/cm²G), attendere cinque minuti ed accertarsi che la pressione non scenda.
 - ③ Pressurizzare a 4,15 MPa (41,5 kgf/cm²G), attendere cinque minuti e misurare la temperatura circostante e la pressione del refrigerante.
- (3) Se la pressione specificata viene mantenuta per circa un giorno senza diminuire, significa che i tubi hanno superato la prova e non ci sono perdite.
 - Se la temperatura circostante cambia di 1°C, la pressione tende a cambiare di circa 0,01 MPa (0,1 kgf/cm²G). Apportare le modifiche necessarie.
- (4) Un calo di pressione nelle fasi (2) o (3) indica una perdita di gas. Cercare le cause della perdita.

4.5. Metodo di apertura della valvola di arresto

La modalità di aperture della valvola di arresto varia a seconda del modello dell'unità esterna. Utilizzare la modalità corretta per aprire le valvole di arresto.

(1) Lato gas (Fig. 4-5)

- ① Togliere il cappuccio e girare fino a quando è possibile l'asta della valvola in senso antiorario utilizzando una chiave esagonale di 4 mm. Smettere di girare quando si urta l'otturatore.
(ø15,88: circa 13 giri)
- ② Assicurarsi che la valvola d'arresto sia completamente aperta e riportare il cappuccio alla posizione originale.

(2) Lato liquido (Fig. 4-6)

- ① Togliere il cappuccio e girare fino a quando è possibile l'asta della valvola in senso orario utilizzando una chiave esagonale di 4 mm. Smettere di girare quando si urta l'otturatore.
(ø9,52: circa 10 giri)
- ② Assicurarsi che la valvola d'arresto sia completamente aperta, spingere in dentro la maniglia e riportare il cappuccio alla posizione originale.

I tubi del refrigerante sono avvolti in un materiale protettivo

- I tubi possono essere avvolti in un materiale protettivo fino ad un diametro di ø90 prima e dopo la connessione. Tagliare il foro di uscita nel coperchio del tubo dopo il solco ed avvolgere i tubi.
- Spazio libero di ingresso del tubo
- Con del sigillante o del mastice sigillare la bocca di ingresso dei tubi in modo da non far rimanere nessuno spazio libero.
(La mancata chiusura degli spazi liberi può essere causa di rumorosità o perdite di acqua, nonché consentire la penetrazione dell'acqua con conseguenti guasti all'impianto.)

Precauzioni per l'utilizzo della valvola di caricamento (Fig. 4-7)

Non stringere eccessivamente l'apertura di servizio al momento dell'installazione, altrimenti il nucleo della valvola può deformarsi ed allentarsi, con il rischio di perdite di gas.

Dopo aver posizionato la parte (B) nella direzione desiderata, ruotare unicamente la parte (A) e serrarla.

Dopo aver serrato la parte (A), non serrare ulteriormente le parti (A) e (B) l'una con l'altra.

⚠ Avvertenza:

Al momento dell'installazione dell'unità, collegare saldamente i tubi del refrigerante prima di azionare il compressore.

4.6. Aggiunta di refrigerante

- Per questa unità non è necessario un caricamento supplementare se la lunghezza del tubo non supera i 30 m.
- Se la lunghezza del tubo supera i 30 m, caricare l'unità con altro refrigerante R32 conformemente alle lunghezze dei tubi ammesse nel grafico in basso.
- * Quando l'unità è ferma, caricare l'unità con altro refrigerante attraverso la valvola di arresto del liquido dopo aver creato il vuoto nei tubi di prolunga e nell'unità interna. Quando l'unità è in funzione, aggiungere il refrigerante alla valvola di controllo del gas utilizzando un caricatore di sicurezza. Non aggiungere il refrigerante liquido direttamente alla valvola di controllo.
- * Dopo aver caricato il refrigerante nell'unità, annotare la quantità di refrigerante aggiunta sull'etichetta di servizio (applicata sull'unità). Per maggiori informazioni, vedere "1.5. Utilizzo dei condizionatori caricati con refrigerante R32".

- Durante l'installazione di unità multiple, prestare estrema attenzione. Il collegamento ad un'unità interna sbagliata può causare un aumento anomalo della pressione, con gravi effetti sulle prestazioni dell'impianto.
- © Riempimento di manutenzione con R32: Prima di riempire l'apparecchiatura con l'R32, per far sì che non sussista il rischio di esplosione causato da scintille elettriche, è necessario assicurarsi che l'attrezzatura sia scollegata al 100% dall'alimentazione di rete.

Modello	Lunghezza del tubo consentita	Differenza verticale consentita	Quantità di caricamento di refrigerante supplementare					© Quantità massima di refrigerante
			31 - 40 m	41 - 50 m	51 - 55 m	56 - 60 m	61 - 65 m	
M100	- 55 m	- 30 m	0,4 kg	0,8 kg	1,0 kg	—	—	4,1 kg
M125, 140	- 65 m	- 30 m	0,4 kg	0,8 kg	1,0 kg	1,2 kg	1,4 kg	5,0 kg

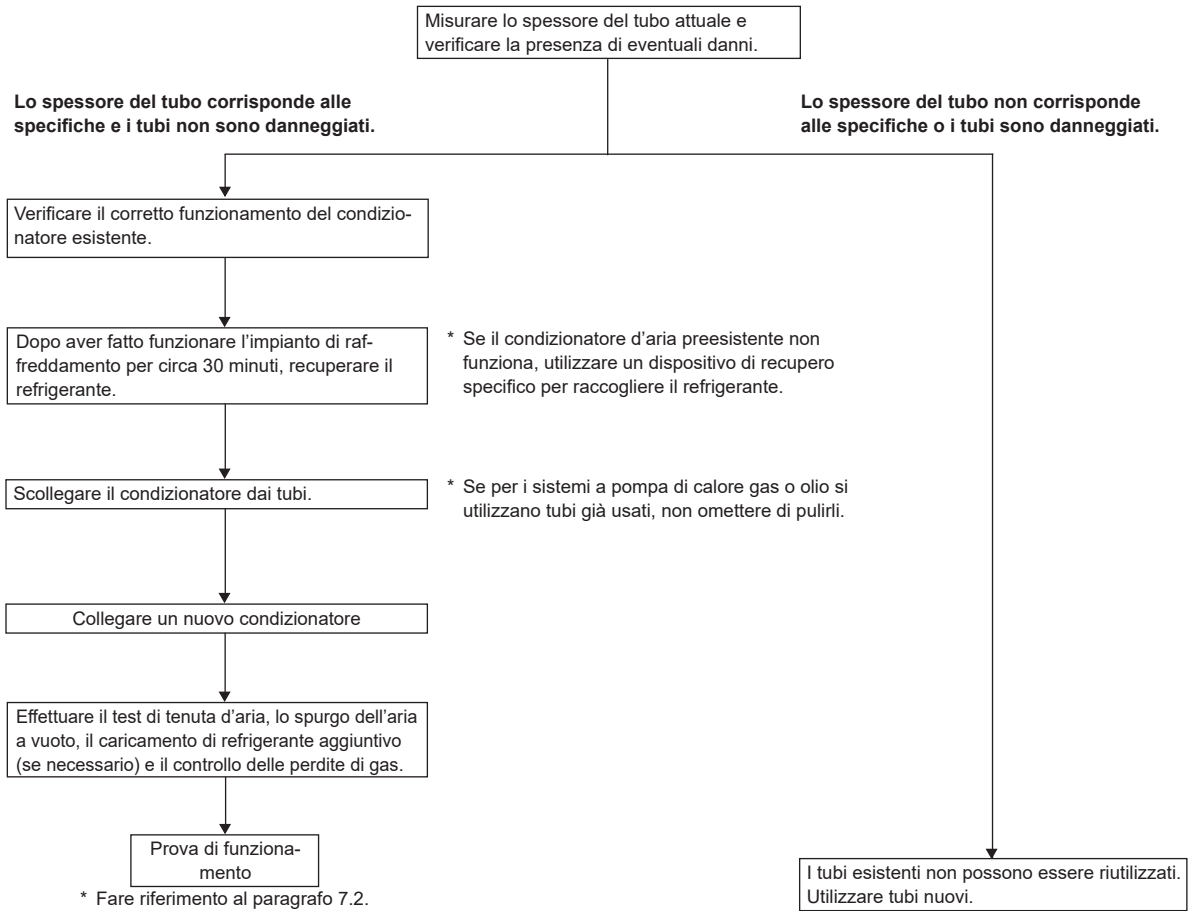
4. Installazione della tubazione del refrigerante

Rifornimento della carica di refrigerante (kg) per meno di 30 m (lunghezza tubazione scarica)

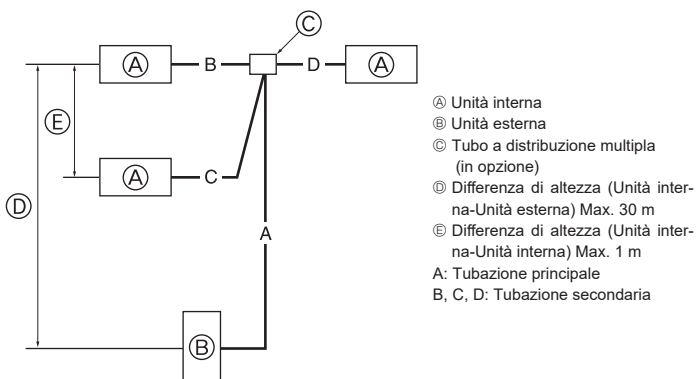
Unità esterna	5 m e meno	6 - 10 m	11 - 15 m	16 - 20 m	21 - 25 m	26 - 30 m
M100	2,0	2,2	2,4	2,6	2,8	3,1
M125, 140	2,6	2,8	3,0	3,2	3,4	3,6

4.7. Precauzioni nel caso si riutilizzino i tubi di refrigerante R22 già presenti

- Vedere il diagramma di flusso in basso per stabilire se i tubi esistenti possano essere utilizzati e se sia necessario utilizzare un filtro per l'umidità.
- Se il diametro dei tubi esistenti è diverso da quello specificato, vedere i dati tecnologici per accertare di poter utilizzare detti tubi.



<Limiti dell'installazione della tubazione del refrigerante>



M100 : $A+B+C (+D) \leq 55$ m
 M125, 140 : $A+B+C (+D) \leq 65$ m
 * "D" si riferisce a tripla.

Fig. 4-8

4.8. Per combinazione doppia/tripla (Fig. 4-8)

- Quando l'unità viene utilizzata come sistema MULTI SPLIT, installare la tubazione del refrigerante attenendosi alle limitazioni indicate nell'illustrazione a sinistra. Inoltre, se tali limitazioni verranno superate, o nel caso di combinazioni di unità interne ed esterne, fare riferimento alle istruzioni per l'installazione dell'unità interna per informazioni dettagliate sull'installazione.

Unità esterna	Lunghezza totale tubazione consentita A+B+C+D	B oppure C oppure D	Caricamento-meno lunghezza tubazione A+B+C+D
M100	55 m e meno	20 m e meno	30 m e meno
M125, 140	65 m e meno	20 m e meno	30 m e meno

Unità esterna	B-C oppure B-D oppure C-D	Numero di pieghe
M100-140	8 m e meno	Max. 15

5. Installazione della tubazione di drenaggio

Collegamento del tubo di drenaggio della sezione esterna

Se è necessario eseguire la tubazione di drenaggio, utilizzare il tubo o la vaschetta di drenaggio (in opzione).

	M100-140
Tubo di drenaggio	PAC-SG61DS-E
Vaschetta di drenaggio	PAC-SH97DP-E

6. Collegamenti elettrici

6.1. Unità esterna (Fig. 6-1, Fig. 6-2)

- ① Rimuovere il pannello di servizio.
- ② Posizionare i cavi secondo la Fig. 6-1 e la Fig. 6-2.

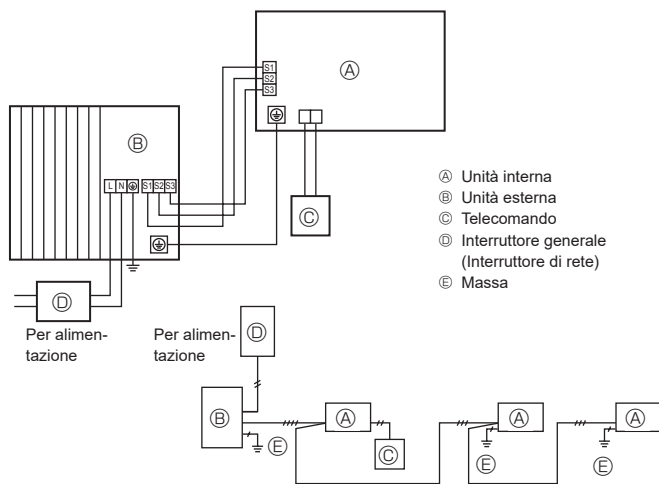


Fig. 6-1

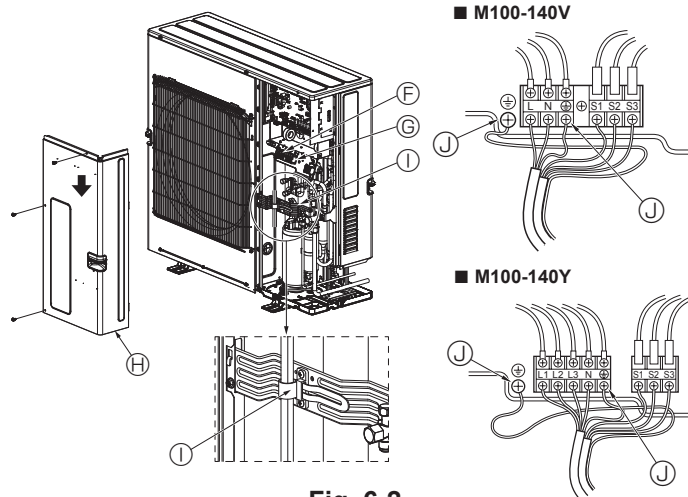


Fig. 6-2

- F Blocco terminale
 G Blocco terminale collegamento unità interna/esterna (S1, S2, S3)
 H Pannello di servizio
 I Fascetta serracavi
 * Fissare i cavi in modo che non tocchino il centro del pannello di servizio o la valvola del gas.
 J Morsetto di terra

Nota:

Se il foglio di protezione della scatola dei componenti elettrici viene rimosso durante la manutenzione, accertarsi di ricollocarlo al suo posto.

⚠ Cautela:

Assicurarsi di installare la linea N. Senza la linea N, potrebbero verificarsi danni all'unità.

6. Collegamenti elettrici

6.2. Collegamenti elettrici locali

Modello unità esterna		M100, 125V	M140V	M100, 125, 140Y
Sezione esterna alimentazione		~N (Monofase), 50 Hz, 230 V	~N (Monofase), 50 Hz, 230 V	3N~ (3 fasi, 4 fili), 50 Hz, 400 V
Capacità di ingresso unità esterna Interruttore principale (Interruttore di rete) *1		32 A	40 A	16 A
Cablaggi N. filo x dimensione (mm ²)	Sezione esterna alimentazione	3 × Min. 6	3 × Min. 6	5 × Min. 1,5
	Sezione interna-Sezione esterna *2	3 × 1,5 (Polar)	3 × 1,5 (Polar)	3 × 1,5 (Polar)
	Messa a terra Sezione interna-Sezione esterna *2	1 × Min. 1,5	1 × Min. 1,5	1 × Min. 1,5
	Collegamento comando a distanza/sezione interna *3	2 × 0,3 (Senza polarità)	2 × 0,3 (Senza polarità)	2 × 0,3 (Senza polarità)
Capacità circuito	Sezione esterna L-N (Monofase)			
	Sezione esterna L1-N, L2-N, L3-N (3 fasi) *4	230 V CA	230 V CA	230 V CA
	Sezione interna-Sezione esterna S1-S2 *4	230 V CA	230 V CA	230 V CA
	Sezione interna-Sezione esterna S2-S3 *4	24 V CC	24 V CC	24 V CC
	Collegamento comando a distanza/sezione interna *4	12 V CC	12 V CC	12 V CC

*1. Utilizzare un interruttore automatico del circuito di dispersione a terra (NV) con una separazione dei contatti di almeno 3,0 mm in ogni polo.

Accertarsi che l'interruttore del circuito di dispersione sia compatibile con armoniche più alte.

Utilizzare sempre un interruttore del circuito di dispersione compatibile con armoniche più alte in quanto questa unità è dotata di inverter.

L'uso di un interruttore inadeguato può compromettere il funzionamento dell'inverter.

*2. Max. 45 m

Se si utilizzano cavi da 2,5 mm², Max. 50 m

Se si utilizzano cavi da 2,5 mm² ed S3 distinti, Max. 80 m

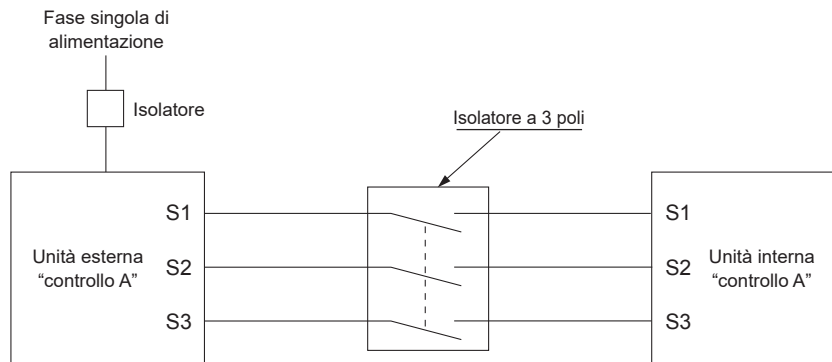
*3. Collegare un cavo da 10 m al controllore remoto.

*4. Questi valori NON vengono sempre applicati alla messa a terra.

La differenza di potenziale tra il terminale S3 e il terminale S2 è 24 V CC. Il collegamento tra i terminali S3 e S1 NON è isolato elettricamente dal trasformatore o da altri dispositivi.



- Nota:**
1. I collegamenti elettrici devono rispettare le pertinenti norme locali e nazionali.
 2. I cavi di alimentazione e di collegamento della sezione interna/esterna non devono essere più leggeri dei cavi flessibili rivestiti di policloroprene (modello 60245 IEC 57).
 3. Utilizzare un filo di messa a terra più lungo degli altri cavi, in modo che non si scolleghi quando viene messo in tensione.
 4. Utilizzare cavi di distribuzione autoestinguenti per il cablaggio di alimentazione.
 5. Posare il cablaggio prestando attenzione a evitare il contatto con margini taglienti di lamiere o punte di viti.



⚠ Avvertenza:

- Per i cavi di comando A, esiste un potenziale di alta tensione sul terminale S3, dovuto alla tipologia del circuito elettrico, che non dispone di isolamento elettrico tra la linea di alimentazione e la linea del segnale di comunicazione. Pertanto, quando si esegue la manutenzione, disinserire l'alimentazione principale. Inoltre, non toccare i terminali S1, S2, S3 quando è inserita l'alimentazione. Qualora sia necessario utilizzare un isolatore tra l'unità interna e l'unità esterna, utilizzare un isolatore di tipo a 3 poli.

Non giuntare mai il cavo dell'alimentazione o il cavo di collegamento interno-esterno, diversamente ciò potrebbe essere causa di fumo, incendio o mancato collegamento.

Assicurarsi di collegare i cavi di collegamento esterni-interni direttamente alle unità (senza collegamenti intermedi).

I collegamenti intermedi possono provocare errori di comunicazione se dell'acqua penetra nei cavi e causare un insufficiente isolamento a terra o uno scarso contatto elettrico nel punto di collegamento intermedio.

7. Prova di funzionamento

7.1. Operazioni preliminari alla prova di funzionamento

- ▶ Dopo aver completato l'installazione, i collegamenti elettrici e le tubazioni delle sezioni interne ed esterne, verificare l'assenza di perdite di refrigerante, allentamenti dei cavi di alimentazione o di comando, errori di polarità e scollegamenti di una fase dell'alimentazione elettrica.
- ▶ Controllare, mediante un megaohmmetro da 500 volt, se la resistenza fra i morsetti dell'alimentazione e la massa è di almeno 1 MΩ.
- ▶ Non eseguire questa prova sui morsetti del cablaggio di controllo (circuito a bassa tensione).

⚠ Avvertenza:

Non avviare il condizionatore d'aria se la resistenza dell'isolamento è inferiore a 1 MΩ.

Resistenza d'isolamento

Terminata l'installazione o dopo aver staccato l'alimentazione dell'unità per un periodo prolungato, la resistenza d'isolamento scende ad un valore inferiore a 1 MΩ a causa dell'accumulo di refrigerante nel compressore. Non si tratta di un'anomalia. Procedere nel seguente modo.

1. Staccare i cavi dal compressore e misurare la resistenza d'isolamento del compressore.
2. Se la resistenza d'isolamento risulta inferiore a 1 MΩ, significa che il compressore è difettoso o che la resistenza è scesa a causa di un accumulo di refrigerante nel compressore.
3. Dopo aver collegato i cavi al compressore, quest'ultimo inizia a riscaldarsi una volta attivata l'alimentazione. Dopo aver erogato la corrente di alimentazione per gli intervalli indicati di seguito, misurare nuovamente la resistenza d'isolamento.

- La resistenza d'isolamento scende a causa di un accumulo di refrigerante nel compressore. La resistenza sale oltre 1 MΩ dopo che il compressore è stato riscaldato per 4 ore.
(Il tempo necessario per riscaldare il compressore varia in base alle condizioni atmosferiche e all'accumulo di refrigerante.)
 - Per far funzionare il compressore con il refrigerante accumulato nel compressore e per evitare possibili guasti, quest'ultimo deve essere riscaldato per almeno 12 ore.
4. Se la resistenza d'isolamento sale oltre 1 MΩ, il compressore non è difettoso.

⚠ Cautela:

- Il compressore non si avvierà se la connessione della fase di alimentazione non è corretta.
- Accendere l'interruttore di alimentazione principale almeno dodici ore prima dell'avvio dell'unità.
- Un immediato avvio dell'unità dopo l'accensione di questo interruttore può danneggiare le parti interne della stessa. Tenere acceso l'interruttore di alimentazione principale durante la stagione di funzionamento.

▶ Controllare anche i seguenti punti.

- L'unità esterna non è difettosa. I LED1 e LED2 sul pannello di comando dell'unità esterna lampeggiano quando l'unità esterna è difettosa.
- Le valvole di arresto del gas e del liquido sono completamente aperte.
- Una pellicola protettiva copre la superficie del pannello dei dip switch sul pannello di comando dell'unità interna. Togliere la pellicola protettiva per poter agire facilmente sui dip switch.

7.2. Prova di funzionamento

7.2.1. Uso dell'SW4 nell'unità esterna

SW4-1	ON	Funzionamento del raffreddamento
SW4-2	OFF	
SW4-1	ON	Funzionamento del riscaldamento
SW4-2	ON	

* Dopo aver eseguito la prova di funzionamento, portare SW4-1 su OFF.

- Dopo aver alimentato la corrente, si potrebbe sentire un piccolo rumore di scatto dall'interno dell'unità esterna. La valvola di espansione elettronica si sta aprendo e chiudendo. L'unità non è difettosa.
- Alcuni secondi dopo l'avvio del compressore, si potrebbe sentire un rumore sferragliante dall'interno dell'unità esterna. Questo rumore viene prodotto dalla valvola di controllo a causa della piccola differenza di pressione nei tubi. L'unità non è difettosa.

La modalità di esecuzione del ciclo di prova non può essere modificata dal dip switch SW4-2 durante il ciclo di prova. (Per modificare la modalità di esecuzione del ciclo di prova durante il ciclo stesso, fermare il ciclo di prova con il dip switch SW4-1. Dopo aver modificato la modalità di esecuzione del ciclo di prova, riprendere il ciclo di prova azionando lo switch SW4-1).

7.2.2. Uso del comando a distanza

Fare riferimento al manuale d'installazione dell'unità esterna.

Nota :

Talvolta, il vapore generato dall'operazione di scongelamento può sembrare fumo che fuoriesce dall'unità esterna.

8. Funzioni speciali

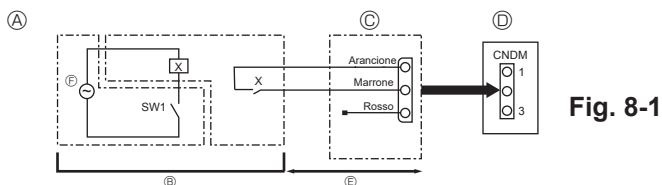


Fig. 8-1

- Ⓐ Esempio di schema del circuito (modalità bassa rumorosità)
 Ⓑ Disposizione in loco
 Ⓒ Adattatore di input esterno (PAC-SC36NA-E)
 X: Relè
- Ⓓ Pannello di comando dell'unità esterna
 Ⓔ Max. 10 m
 Ⓕ Alimentazione per relè

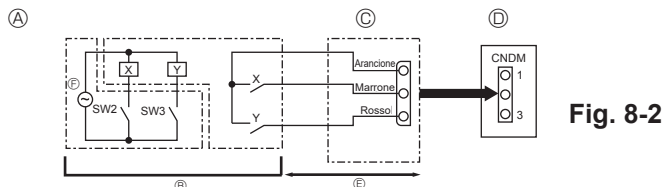


Fig. 8-2

- Ⓐ Esempio di schema del circuito (Funzione a richiesta)
 Ⓑ Disposizione in loco
 X, Y: Relè
- Ⓒ Adattatore di input esterno (PAC-SC36NA-E)
 Ⓓ Pannello di comando dell'unità esterna
 Ⓔ Max. 10 m
 Ⓕ Alimentazione per relè

8.1. Modalità bassa rumorosità (modifica in loco) (Fig. 8-1)

Eseguito la seguente modifica, la rumorosità dell'unità esterna può essere ridotta di circa 3-4 dB.

La modalità a bassa rumorosità viene attivata aggiungendo un timer disponibile in commercio o un'entrata di contatto di un interruttore ON/OFF sul connettore CNDM (opzionale) sul pannello di comando dell'unità esterna.

- La capacità dipende dalla temperatura e dalle condizioni esterne, ecc.

- ① Completare il circuito come illustrato utilizzando l'adattatore di entrata esterno (PAC-SC36NA-E) (opzionale).
- ② SW7-1 (Pannello di comando dell'unità esterna): OFF
- ③ SW1 ON: Modalità bassa rumorosità
SW1 OFF: Funzionamento normale

8.2. Funzione a richiesta (modifica in loco) (Fig. 8-2)

Con la seguente modifica, è possibile ridurre il consumo di energia a 0-100% rispetto al consumo normale.

La funzione a richiesta verrà attivata quando un timer disponibile in commercio o l'ingresso di contatto di uno switch ON/OFF viene aggiunto al connettore CNDM (opzionale) sulla scheda di controllo dell'unità esterna.

- ① Completare il circuito come illustrato utilizzando l'adattatore di entrata esterno (PAC-SC36NA-E) (opzionale).
- ② Impostando SW7-1 sulla scheda di controllo dell'unità esterna, il consumo di energia può essere limitato (rispetto al consumo normale) come indicato qui di seguito.

	SW7-1	SW2	SW3	Consumo di energia
Funzione a richiesta	ON	OFF	OFF	100%
		ON	OFF	75%
		ON	ON	50%
		OFF	ON	0% (Stop)

8. Funzioni speciali

8.3. Recupero del refrigerante (Pompaggio)

Eseguire le seguenti procedure per recuperare il refrigerante nel caso si spostino l'unità interna o quella esterna.

- ① Alimentare l'impianto (interruttore automatico).
 - * Quando l'impianto viene alimentato, accertare che il messaggio "CENTRALLY CONTROLLED" non sia visualizzato sul telecomando. Se il messaggio "CENTRALLY CONTROLLED" fosse visualizzato, il recupero del refrigerante non può essere eseguito normalmente.
 - * La comunicazione tra unità interna ed esterna si avvia circa 3 minuti dopo l'accensione (interruttore di circuito). Avviare il pompaggio 3 o 4 minuti dopo l'accensione (interruttore di circuito).
- ② Una volta che la valvola di arresto del liquido si chiude, impostare lo switch SWP sul pannello di comando dell'unità esterna su ON. Il compressore (unità esterna) e i ventilatori (unità interna ed esterna) iniziano a funzionare e la fase di recupero del refrigerante comincia. I LED1 e LED2 sul pannello di comando dell'unità esterna sono accesi.
 - * Mettere l'interruttore SWP (a pulsante) su ON soltanto se l'unità è spenta. Tuttavia, anche se l'unità è spenta e si mette l'interruttore SWP su ON meno di 3 minuti dopo l'arresto del compressore, sarà impossibile eseguire il recupero del refrigerante. Attendere che il compressore si sia fermato per 3 minuti, quindi mettere l'interruttore SWP di nuovo su ON.

- ③ Poiché l'unità si arresta automaticamente circa 2 o 3 minuti dopo il recupero del refrigerante (LED1 spento, LED2 acceso), chiudere velocemente la valvola di arresto del gas. Se il LED1 è acceso e il LED2 è spento e l'unità esterna si è arrestata, l'operazione di recupero refrigerante non si è svolta correttamente. Aprire completamente la valvola di arresto del liquido, quindi, trascorsi 3 minuti, ripetere le operazioni indicate al punto ②.
 - * Se il recupero del refrigerante è stato eseguito normalmente (LED1 spento, LED2 acceso), l'unità rimane spenta finché l'alimentazione è scollegata.
- ④ Scollegare l'alimentazione (interruttore di circuito).
 - * Tenere presente che quando i tubi di prolunga sono molto lunghi e vi è una grande quantità di refrigerante, può accadere che non si riesca ad eseguire l'operazione di pompaggio. Durante l'operazione di pompaggio, accertarsi che la bassa pressione venga ridotta fino a raggiungere quasi 0 MPa (manometro).

⚠ Avvertenza:

Quando si esegue il pompaggio del refrigerante, arrestare il compressore prima di scollegare i tubi del refrigerante. In caso di penetrazione di aria, ecc., il compressore potrebbe infatti esplodere.

9. Controllo del sistema (Fig. 9-1)

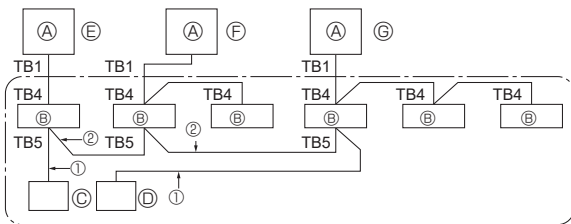
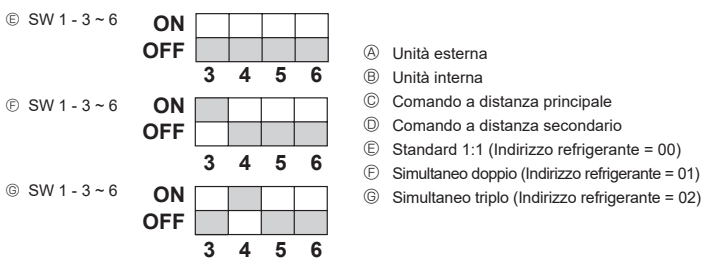


Fig. 9-1

* Impostare l'indirizzo refrigerante usando l'interruttore DIP dell'unità esterna.

① Collegamento dal comando a distanza

Questo filo è collegato a TB5 (blocco terminali per comando a distanza) dell'unità interna (non polare).

② Quando si usano diversi raggruppamenti di sistema refrigerante.

Si possono controllare come gruppo unico fino a 16 sistemi refrigerante usando il comando a distanza Slim MA.

Nota:

In un sistema con un unico refrigerante (doppio/triplo), non occorre il cablaggio ②.

SW1
Tabella delle
funzioni

<SW1>



	Funzione	Funzionamento secondo l'impostazione dell'interruttore	
		ON	OFF
SW1, Impostazioni funzione	1 Sbrinamento obbligatorio	Avvio	Normale
	2 Azzeramento cronistoria errore	Azzeramento	Normale
	3 Impostazione indirizzo sistema refrigerante	Impostazioni per gli indirizzi unità esterna da 0 a 15	
	4		
	5		
	6		

1. Προφυλακτικά Μέτρα Ασφαλείας

1.1. Προετοιμασία για την εγκατάσταση

⚠ Προσοχή:

- Μην χρησιμοποιείτε τη μονάδα σε ασυνήθιστους χώρους. Αν το κλιματιστικό εγκατασταθεί σε χώρους όπου υπάρχουν ατμοί, πτητικό λάδι (συμπεριλαμβανομένων των λαδιών μηχανημάτων) ή θειικά αέρια, σε περιοχές όπου υπάρχει υψηλή περιεκτικότητα σε αλάτι όπως τα παράλια, ή σε χώρους όπου υπάρχει ενδεχόμενο η μονάδα να σκεπαστεί με χιόνι, η απόδοσή του μπορεί να μειωθεί σημαντικά και τα εξωτερικά του μέρη να καταστραφούν.
- Μην εγκαθιστάτε τη μονάδα σε σημεία όπου υπάρχει κίνδυνος διαρροής, απελευθέρωσης, κυκλοφορίας ή συγκέντρωσης εύφλεκτων αερίων. Αν γύρω από τη μονάδα συγκεντρωθούν εύφλεκτα αέρια, υπάρχει κίνδυνος πυρκαγιάς ή έκρηξης.

- Στην εξωτερική μονάδα δημιουργείται συμπύκνωση νερού κατά τη λειτουργία θέρμανσης. Φροντίστε για την αποστράγγιση του νερού που βγαίνει γύρω από την εξωτερική μονάδα εάν υπάρχει κίνδυνος να προκαλέσει ζημιές.
- Όταν πρόκειται να εγκαταστήσετε τη μονάδα σε νοσοκομεία ή σε σταθμούς τηλεπικοινωνιών, πρέπει να γνωρίζετε ότι κάνει θόρυβο και προκαλεί ηλεκτρονικές παρεμβολές. Οι μετασηματιστές συνεχούς ρεύματος, οι οικιακές συσκευές, τα ιατρικά μηχανήματα υψηλής συχνότητας και οι πομποί ραδιοσυχνοτήτων μπορεί να προκαλέσουν δυσλειτουργία ή και βλάβη του κλιματιστικού. Το κλιματιστικό μπορεί επίσης να επηρεάσει τη σωστή λειτουργία των ιατρικών μηχανημάτων, παρεμποδίζοντας την ιατρική φροντίδα, και του τηλεπικοινωνιακού εξοπλισμού, επηρεάζοντας την ποιότητα της τηλεοπτικής εικόνας.

1.2. Προετοιμασία για την εγκατάσταση (μεταφορά)

⚠ Προσοχή:

- Φροντίστε να τοποθετήσετε διακόπτες κυκλώματος. Διαφορετικά, μπορεί να προκληθεί ηλεκτροπληξία.
 - Για τις γραμμές τροφοδοσίας, χρησιμοποιήστε καλώδια του εμπορίου επαρκούς ισχύος. Διαφορετικά, μπορεί να προκληθεί βραχυκύκλωμα, υπερθέρμανση ή πυρκαγιά.
 - Όταν συνδέετε τις γραμμές τροφοδοσίας, μην τεντώνετε υπερβολικά τα καλώδια. Αν οι συνδέσεις χαλαρώσουν, τα καλώδια μπορεί να σπάσουν με συνέπεια να προκληθεί υπερθέρμανση ή πυρκαγιά.
- Βεβαιωθείτε ότι τα υλικά συσκευασίας έχουν πεταχτεί σε ασφαλές μέρος. Τα υλικά συσκευασίας, όπως τα καρφιά και άλλα μεταλλικά ή ξύλινα μέρη, μπορεί να προκαλέσουν κοψίματα ή άλλους τραυματισμούς.

- Η βάση και τα σημεία στήριξης της εξωτερικής μονάδας πρέπει να ελέγχονται περιοδικά μήπως έχουν χαλαρώσει, σπάσει ή έχουν υποστεί άλλη ζημιά. Αν δεν διορθώσετε τις ζημιές αυτές, η μονάδα μπορεί να πέσει προκαλώντας ζημιά ή τραυματισμούς.
- Μην καθαρίζετε το κλιματιστικό με νερό. Μπορεί να πάθετε ηλεκτροπληξία.
- Σφίξτε όλα τα περικόχλια εκχείλωσης σύμφωνα με τις προδιαγραφές χρήσης χρησιμοποιώντας ένα δυναμόκλειδο. Αν τα σφίξτε πάρα πολύ, μπορεί να σπάσουν μετά από ορισμένο χρονικό διάστημα και να σημειωθεί διαρροή ψυκτικού.

1.3. Προετοιμασία για τις ηλεκτρικές εργασίες

⚠ Προσοχή:

- Φροντίστε να τοποθετήσετε διακόπτες κυκλώματος. Διαφορετικά, μπορεί να προκληθεί ηλεκτροπληξία.
- Για τις γραμμές τροφοδοσίας, χρησιμοποιήστε καλώδια του εμπορίου επαρκούς ισχύος. Διαφορετικά, μπορεί να προκληθεί βραχυκύκλωμα, υπερθέρμανση ή πυρκαγιά.
- Όταν συνδέετε τις γραμμές τροφοδοσίας, μην τεντώνετε υπερβολικά τα καλώδια. Αν οι συνδέσεις χαλαρώσουν, τα καλώδια μπορεί να σπάσουν με συνέπεια να προκληθεί υπερθέρμανση ή πυρκαγιά.

- Φροντίστε να γειώσετε τη μονάδα. Μην συνδέετε το καλώδιο γείωσης σε σωλήνες αερίου ή υγρού, κολώνες ρεύματος ή τηλεφωνικές γραμμές. Αν η μονάδα δεν είναι κατάλληλα γειωμένη, μπορεί να προκληθεί ηλεκτροπληξία.
- Χρησιμοποιήστε διακόπτες κυκλώματος (διακόπτης κυκλώματος βλάβης γείωσης, διακόπτης απομόνωσης κυκλώματος (ασφάλεια +B), και διακόπτης κυκλώματος σε χυτευτό κουτί) με την ενδεδειγμένη χωρητικότητα. Αν η χωρητικότητα του διακόπτη κυκλώματος είναι μεγαλύτερη από την ενδεδειγμένη, μπορεί να προκληθεί βλάβη ή πυρκαγιά.

1.4. Πριν τη δοκιμαστική λειτουργία

⚠ Προσοχή:

- Ανοίξτε τον κεντρικό διακόπτη τροφοδοσίας 12 ώρες τουλάχιστον πριν την έναρξη της λειτουργίας. Η έναρξη λειτουργίας της μονάδας αμέσως αφού ανοίξετε τον κεντρικό διακόπτη τροφοδοσίας μπορεί να προκαλέσει σοβαρή ζημιά στα εσωτερικά της μέρη. Μην κλείνετε τον κεντρικό διακόπτη τροφοδοσίας την περίοδο λειτουργίας του κλιματιστικού.
- Πριν την έναρξη της λειτουργίας, ελέγξτε ότι όλα τα πλαίσια, οι διατάξεις ασφαλείας και άλλα προστατευτικά μέρη είναι σωστά τοποθετημένα. Μέρη που περιστρέφονται, έχουν υψηλή θερμοκρασία ή υψηλή τάση μπορεί να προκαλέσουν τραυματισμούς.

- Μην αγγίζετε τους διακόπτες με βρεγμένα χέρια. Μπορεί να πάθετε ηλεκτροπληξία.
- Μην αγγίζετε τους σωλήνες ψυκτικού με γυμνά χέρια όταν λειτουργεί το κλιματιστικό. Οι σωλήνες ψυκτικού είναι πολύ ζεστοί ή πολύ κρύοι ανάλογα με την κατάσταση του κυκλοφορούντος ψυκτικού μέσου. Αν αγγίξετε τους σωλήνες, μπορεί να πάθετε εγκαύματα ή κρουπαγήματα.
- Αφού σταματήσει να λειτουργεί το κλιματιστικό, περιμένετε τουλάχιστον πέντε λεπτά πριν κλείσετε τον κεντρικό διακόπτη τροφοδοσίας. Διαφορετικά, μπορεί να προκληθεί διαρροή ή βλάβη.

1.5. Χρήση κλιματιστικών με ψυκτικό μέσο R32

⚠ Προσοχή:

- Χρησιμοποιήστε φωσφορούχο κρατέρωμα C1220 για τη σύνδεση των σωληνώσεων ψυκτικού, όταν έχετε χαλκοσωλήνες και σωλήνες κράματος χαλκού χωρίς ενώσεις. Βεβαιωθείτε ότι οι εσωτερικές επιφάνειες των σωληνών είναι καθαρές και δεν περιέχουν επικίνδυνες προσμίξεις όπως θεικές ενώσεις, οξειδωτικά, ρινίσματα ή σκόνη. Χρησιμοποιείτε σωλήνες με το συνιστώμενο πάχος. (Ανατρέξτε στη 4.1.) Αν πρόκειται να χρησιμοποιήσετε ξανά παλιούς σωλήνες που περιείχαν ψυκτικό R22, προσέξτε τα παρακάτω.
 - Αντικαταστήστε τα παλιά περικόχλια εκχείλωσης και εκχειλώστε ξανά τα διαπλευσμένα τμήματα.
 - Μην χρησιμοποιείτε σωλήνες με πολύ μικρό πάχος. (Ανατρέξτε στη 4.1.)
- Φυλάξτε τους σωλήνες που θα χρησιμοποιήσετε στην εγκατάσταση σε εσωτερικό χώρο και σφραγίστε και τα δύο άκρα των σωληνών μέχρι να εκτελέσετε τις εργασίες χαλκοκόλλησης. (Μην βγάλετε τα γωνιακά ρακόρ κτλ. από τη συσκευασία τους.) Αν στις σωληνώσεις ψυκτικού μπουν σκόνη, ρινίσματα ή υγρασία, υπάρχει κίνδυνος να προκληθεί αλλοίωση της ποιότητας του λαδιού ή βλάβη του συμπιεστή.
- Χρησιμοποιήστε λάδι εστέρα, λάδι αιθέρα ή αλκυλοβενζόλη (μικρή ποσότητα) σαν ψυκτικό λάδι για την εφαρμογή στα διαπλευσμένα τμήματα. Το ψυκτικό λάδι αν αναμιχθεί με ορυκτέλαιο, θα αλλοιωθεί.

- Οι εργασίες συντήρησης θα πρέπει να εκτελούνται μόνο σύμφωνα με τις συστάσεις του κατασκευαστή.
- Μην χρησιμοποιείτε άλλο ψυκτικό από το R32.
- Χρησιμοποιήστε τα παρακάτω εργαλεία που προορίζονται ειδικά για χρήση με το ψυκτικό R32. Τα παρακάτω εργαλεία είναι απαραίτητα για τη χρήση ψυκτικού R32. Για τυχόν απορίες, απευθυνθείτε στον πλησιέστερο αντιπρόσωπο.

Εργαλεία (για R32)	
Πολλαπλός μετρητής	Εργαλείο διαπλάτυσης
Σωλήνας πλήρωσης	Μετρητής διαστάσεων
Ανιχνευτής διαρροής αερίου	Σωλήνας αντλίας κενού
Δυναμόκλειδο	Ηλεκτρονικός ζυγός πλήρωσης ψυκτικού

- Χρησιμοποιείτε πάντα τα κατάλληλα εργαλεία. Αν στις σωληνώσεις ψυκτικού μπουν σκόνη, ρινίσματα ή υγρασία, υπάρχει κίνδυνος να προκληθεί αλλοίωση του ψυκτικού λαδιού.

2. Χώρος εγκατάστασης

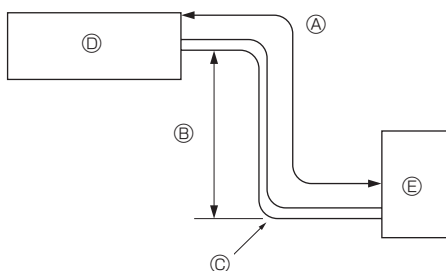


Fig. 2-1

2.1. Σωλήνες ψυκτικού (Fig. 2-1)

- ▶ Ελέγξτε ότι η υψομετρική διαφορά μεταξύ της εσωτερικής και της εξωτερικής μονάδας, το μήκος της σωληνώσεως για το ψυκτικό και ο αριθμός όπου κάμπτονται οι σωληνώσεις, βρίσκονται εντός των ορίων που καθορίζονται στον πίνακα πιο κάτω.

Μοντέλα	Α Μήκος σωληνώσεως (μία κατεύθυνση)	Β Υψομετρική διαφορά	Γ Αριθμός κάμψεων (μία κατεύθυνση)
M100	Μέγ. 55 m	Μέγ. 30 m	Μέγ. 15
M125/140	Μέγ. 65 m	Μέγ. 30 m	Μέγ. 15

- Οι περιορισμοί στην υψομετρική διαφορά είναι δεσμευτικοί ανεξάρτητα από το ποια μονάδα, εσωτερική ή εξωτερική, τοποθετείται υψηλότερα.

- Ⓐ Εσωτερική μονάδα
- Ⓒ Εξωτερική μονάδα

2. Χώρος εγκατάστασης

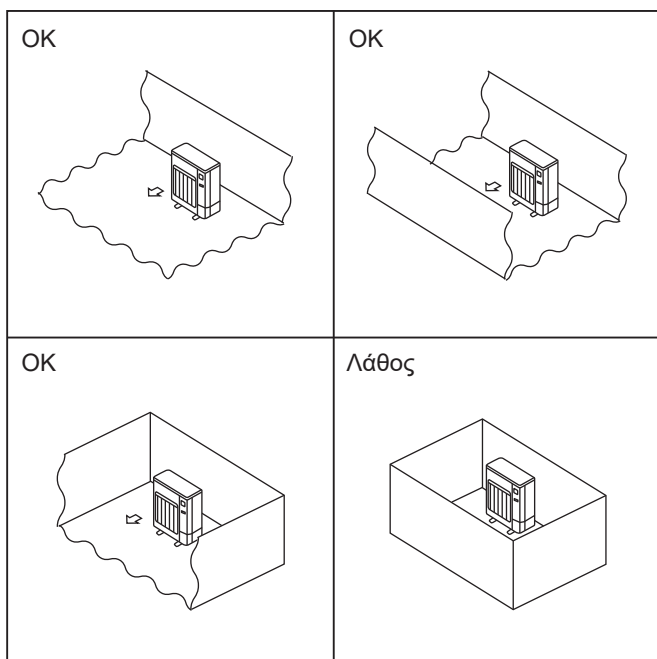


Fig. 2-2

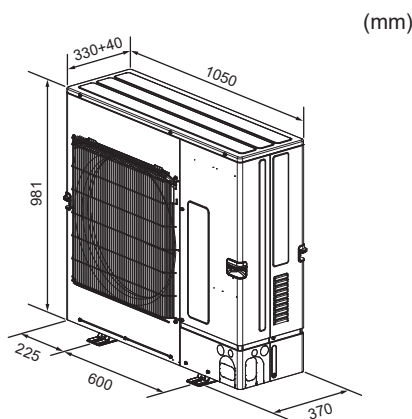


Fig. 2-3

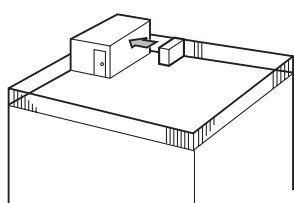


Fig. 2-4

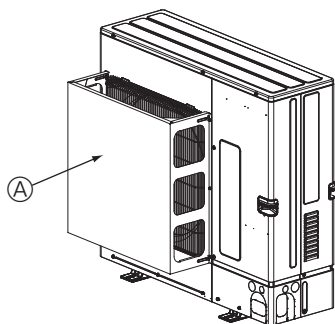


Fig. 2-5

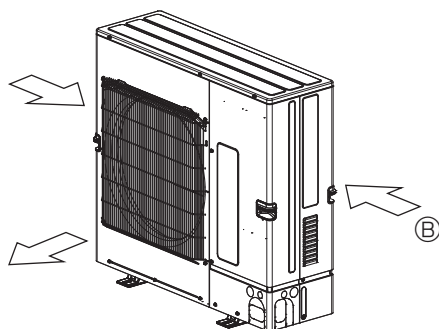


Fig. 2-6

2.2. Επιλογή σημείου εγκατάστασης εξωτερικής μονάδας

- Το R32 είναι βαρύτερο από τον αέρα — όπως και τα άλλα ψυκτικά — επομένως τείνει να συσσωρεύεται στη βάση (κοντά στο δάπεδο). Αν το R32 συσσωρευτεί γύρω από τη βάση, ενδέχεται να φτάσει σε μια εύφλεκτη συγκέντρωση σε περίπτωση που το δωμάτιο είναι μικρό. Προς αποφυγή τυχόν ανάφλεξης, απαιτείται η διατήρηση ασφαλών περιβάλλοντος εργασίας μέσω διασφάλισης κατάλληλου εξερισμού. Αν επιβεβαιωθεί διαρροή ψυκτικού σε ένα δωμάτιο ή μια περιοχή όπου ο εξερισμός είναι ανεπαρκής, αποφεύγετε τη χρήση φλόγας έως ότου βελτιωθούν οι συνθήκες στο περιβάλλον εργασίας μέσω διασφάλισης κατάλληλου εξερισμού.
 - Αποφύγετε σημεία άμεσα εκτεθειμένα στην ηλιακή ακτινοβολία ή σε άλλες πηγές θερμότητας.
 - Επιλέξτε ένα σημείο στο οποίο ο θόρυβος που εκπέμπεται από τη μονάδα να μην ενοχλεί τους γείτονες.
 - Επιλέξτε μια θέση που επιτρέπει την εύκολη σύνδεση των καλωδίων και των σωλήνων στην πηγή τροφοδοσίας και στην εσωτερική μονάδα.
 - Αποφύγετε σημεία όπου υπάρχει κίνδυνος διαρροής, απελευθέρωσης, κυκλοφορίας ή συγκέντρωσης εύφλεκτων αερίων.
 - Έχετε υπόψη σας ότι κατά τη λειτουργία του κλιματιστικού, μπορεί να τρέχει νερό από τη μονάδα.
 - Επιλέξτε μια επίπεδη επιφάνεια η οποία να μπορεί να αντέξει το βάρος και τους κραδασμούς της μονάδας.
 - Αποφύγετε σημεία όπου η μονάδα μπορεί να σκεπαστεί με χιόνι. Σε περιοχές όπου σημειώνονται δυνατές χιονοπτώσεις, πρέπει να παίρνετε ειδικές προφυλάξεις, όπως η ανύψωση της θέσης εγκατάστασης ή η τοποθέτηση κουκούλας στη θυρίδα εισαγωγής του αέρα, ώστε να μην μπλοκάρει με χιόνι και να αποφεύγεται η απευθείας πτώση του χιονιού. Σε αντίθετη περίπτωση, μπορεί να μειωθεί η ποσότητα της ροής του αέρα και να προκληθεί βλάβη.
 - Αποφύγετε μέρη εκτεθειμένα σε λάδια, ατμούς ή θειικά αέρια.
 - Χρησιμοποιείτε τις λαβές μεταφοράς της εξωτερικής μονάδας όταν πρόκειται να μετακινήσετε τη μονάδα. Αν μεταφέρετε τη μονάδα κρατώντας την από την κάτω πλευρά της, μπορεί να τραυματιστούν τα δάχτυλα ή τα χέρια σας.
 - Η σύνδεση των σωλήνων ψυκτικού πρέπει να είναι προσβάσιμη για σκοπούς συντήρησης.
- Εγκαθιστάτε τις εξωτερικές μονάδες σε χώρους όπου τουλάχιστον μία από τις τέσσερις πλευρές είναι ανοικτή και σε επαρκώς μεγάλους χώρους χωρίς συμπίεσεις. (Fig. 2-2)

2.3. Εξωτερικές διαστάσεις (Εξωτερική μονάδα) (Fig. 2-3)

2.4. Εξερισμός και χώρος συντήρησης

2.4.1. Εγκατάσταση σε σημείο εκτεθειμένο στον άνεμο

Όταν η εγκατάσταση της εξωτερικής μονάδας γίνεται σε στέγη ή σε άλλη θέση που δεν είναι προστατευμένη από τον αέρα, τα στόμια εξαγωγής του αέρα πρέπει να τοποθετούνται με τρόπο ώστε να μην είναι άμεσα εκτεθειμένα σε δυνατούς ανέμους. Όταν δυνατός αέρας φυσά απευθείας στο στόμιο εξαγωγής του αέρα, εμποδίζεται η κανονική ροή του αέρα και υπάρχει κίνδυνος βλάβης. Στη συνέχεια, βλέπετε τρία παραδείγματα προφυλάξεων από δυνατούς ανέμους.

- 1 Τοποθετήστε τη μονάδα ώστε το στόμιο εξαγωγής του αέρα να είναι στραμμένο προς τον πλησιέστερο διαθέσιμο τοίχο και να απέχει περίπου 500 mm. (Fig. 2-4)
- 2 Τοποθετήστε έναν προαιρετικό οδηγό αέρα, αν πρόκειται να εγκαταστήσετε τη μονάδα σε σημεία όπου υπάρχει το ενδεχόμενο να φυσούν απευθείας στο στόμιο εξαγωγής του αέρα πολύ δυνατοί άνεμοι κτλ. (Fig. 2-5)
 - A Οδηγός αέρα
- 3 Εγκαταστήστε τη μονάδα με τρόπο ώστε ο αέρας που βγαίνει από το στόμιο εξαγωγής να φυσά κάτω σε σχέση με την κατεύθυνση του ανέμου, εάν αυτό είναι δυνατό. (Fig. 2-6)
 - B Κατεύθυνση ανέμου

2.4.2. Εγκατάσταση μονής εξωτερικής μονάδας (Ανατρέξτε στην τελευταία σελίδα)

Οι ελάχιστες διαστάσεις έχουν ως εξής, εκτός αν επισημαίνεται η μέγ., που σημαίνει μέγιστες διαστάσεις. Για κάθε περίπτωση ανατρέξτε στους αριθμούς.

- 1 Εμπόδια στην πίσω πλευρά μόνο (Fig. 2-7)
- 2 Εμπόδια στην πίσω και επάνω πλευρά μόνο (Fig. 2-8)
- 3 Εμπόδια στην πίσω και στις δύο πλαϊνές πλευρές μόνο (Fig. 2-9)
- 4 Εμπόδια στην μπροστινή πλευρά μόνο (Fig. 2-10)
 - * Όταν χρησιμοποιείτε προαιρετικό οδηγό στο στόμιο εξαγωγής του αέρα, η απόσταση είναι 500 mm ή περισσότερο.
- 5 Εμπόδια στην μπροστινή και την πίσω πλευρά μόνο (Fig. 2-11)
 - * Όταν χρησιμοποιείτε προαιρετικό οδηγό στο στόμιο εξαγωγής του αέρα, η απόσταση είναι 500 mm ή περισσότερο.
- 6 Εμπόδια στην πίσω, στις δύο πλαϊνές και στην επάνω πλευρά μόνο (Fig. 2-12)
 - Μην χρησιμοποιείτε τους προαιρετικούς οδηγούς στο στόμιο εξαγωγής του αέρα για κατεύθυνση της ροής προς τα πάνω.

2.4.3. Εγκατάσταση πολλαπλών εξωτερικών μονάδων (Ανατρέξτε στην τελευταία σελίδα)

Αφήστε ελεύθερο χώρο 50 mm ή περισσότερο μεταξύ των μονάδων για τα μοντέλα M100-140.

- 1 Εμπόδια στην πίσω πλευρά μόνο (Fig. 2-13)
- 2 Εμπόδια στην πίσω και επάνω πλευρά μόνο (Fig. 2-14)
 - Δεν πρέπει να εγκαθιστάτε περισσότερες από τρεις μονάδες στη σειρά. Επιπλέον, πρέπει να αφήνετε ελεύθερο χώρο μεταξύ τους όπως δείχνει η εικόνα.
 - Μην χρησιμοποιείτε τους προαιρετικούς οδηγούς στο στόμιο εξαγωγής του αέρα για κατεύθυνση της ροής προς τα πάνω.
- 3 Εμπόδια στην μπροστινή πλευρά μόνο (Fig. 2-15)
 - * Όταν χρησιμοποιείτε προαιρετικό οδηγό στο στόμιο εξαγωγής του αέρα, η απόσταση για τα μοντέλα M100-140 είναι 1000 mm ή περισσότερο.
- 4 Εμπόδια στην μπροστινή και την πίσω πλευρά μόνο (Fig. 2-16)
 - * Όταν χρησιμοποιείτε προαιρετικό οδηγό στο στόμιο εξαγωγής του αέρα, η απόσταση για τα μοντέλα M100-140 είναι 1000 mm ή περισσότερο.
- 5 Απλή παράλληλη διάταξη μονάδων (Fig. 2-17)
 - * Όταν χρησιμοποιείτε προαιρετικό οδηγό στο στόμιο εξαγωγής του αέρα για κατεύθυνση της ροής προς τα πάνω, η απόσταση είναι 1000 mm ή περισσότερο.
- 6 Πολλαπλή παράλληλη διάταξη μονάδων (Fig. 2-18)
 - * Όταν χρησιμοποιείτε προαιρετικό οδηγό στο στόμιο εξαγωγής του αέρα για κατεύθυνση της ροής προς τα πάνω, η απόσταση είναι 1500 mm ή περισσότερο.
- 7 Διάταξη μονάδων σε στοίβα (Fig. 2-19)
 - Οι μονάδες μπορούν να τοποθετηθούν και σε στοίβα (μέχρι δύο μονάδες).
 - Δεν μπορείτε να τοποθετήσετε στη σειρά περισσότερες από δύο στοίβες. Επιπλέον, πρέπει να αφήνετε ελεύθερο χώρο μεταξύ τους όπως δείχνει η εικόνα.

2. Χώρος εγκατάστασης

©2.5. Ελάχιστη περιοχή εγκατάστασης

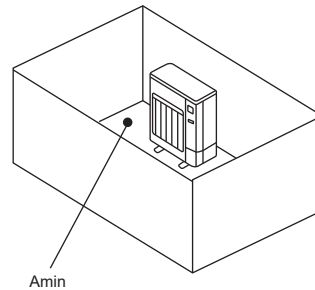
Αν πρέπει οπωσδήποτε να εγκαταστήσετε μια μονάδα σε χώρο όπου και οι τέσσερις πλευρές αποκλείονται ή ασκούνται συμπίεσεις, επιβεβαιώστε ότι ικανοποιείται μία από τις παρακάτω καταστάσεις (Α, Β ή C).

Σημείωση: Αυτά τα αντίμετρα προορίζονται για τη διατήρηση της ασφάλειας, όχι για την εγγύηση των προδιαγραφών.

A) Εξασφαλίστε επαρκή χώρο εγκατάστασης (ελάχιστο εμβαδόν εγκατάστασης A_{min}).

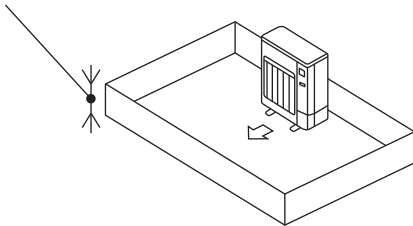
Εγκαταστήστε τη μονάδα σε χώρο με εμβαδόν εγκατάστασης A_{min} ή μεγαλύτερο, που αντιστοιχεί σε ποσότητα ψυκτικού M (ψυκτικό που έχει πληρωθεί από το εργοστάσιο + ψυκτικό που προστίθεται τοπικά).

M [kg]	A_{min} [m ²]
1,0	12
1,5	17
2,0	23
2,5	28
3,0	34
3,5	39
4,0	45
4,5	50
5,0	56
5,5	62
6,0	67
6,5	73
7,0	78
7,5	84

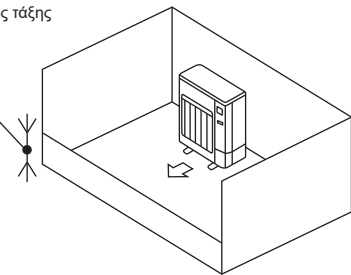


B) Εγκαταστήστε τη μονάδα σε χώρο με ύψος συμπίεσης της τάξης των $\leq 0,125$ [m].

Ύψος από το κάτω μέρος της τάξης των 0,125 [m] ή μικρότερο



Ύψος από το κάτω μέρος της τάξης των 0,125 [m] ή μικρότερο

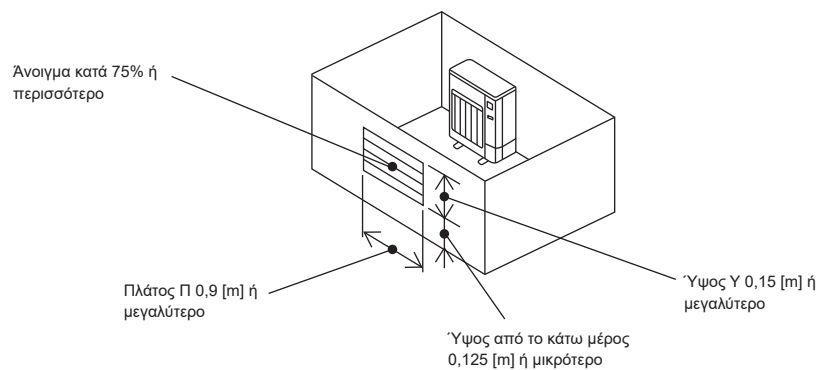


C) Δημιουργήστε κατάλληλη ανοικτή περιοχή εξαερισμού.

Βεβαιωθείτε ότι το πλάτος της ανοικτής περιοχής είναι 0,9 [m] ή μεγαλύτερο και το ύψος της ανοικτής περιοχής είναι 0,15 [m] ή μεγαλύτερο.

Ωστόσο, το ύψος από το κάτω μέρος του χώρου εγκατάστασης έως το κάτω άκρο της ανοικτής περιοχής θα πρέπει να είναι 0,125 [m] ή μικρότερο.

Η ανοικτή περιοχή θα πρέπει να έχει άνοιγμα κατά 75% ή περισσότερο.



2. Χώρος εγκατάστασης

■ Εσωτερικές μονάδες

Πραγματοποιείτε την εγκατάσταση σε δωμάτιο με εμβαδόν δαπέδου A_{min} ή μεγαλύτερο, που αντιστοιχεί σε ποσότητα ψυκτικού M (ψυκτικό που έχει πληρωθεί από το εργοστάσιο + ψυκτικό που προστίθεται τοπικά).

* Για την ποσότητα του ψυκτικού που έχει πληρωθεί από το εργοστάσιο, ανατρέξτε στην πινακίδα χαρακτηριστικών προδιαγραφών ή στο εγχειρίδιο εγκατάστασης.

Για την ποσότητα που πρέπει να προστεθεί τοπικά, ανατρέξτε στο εγχειρίδιο εγκατάστασης.

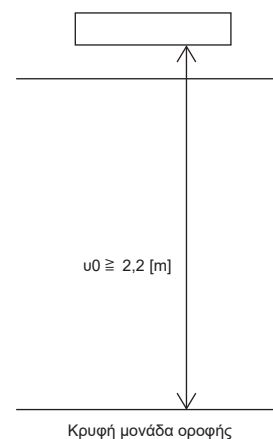
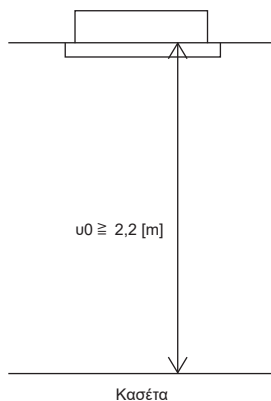
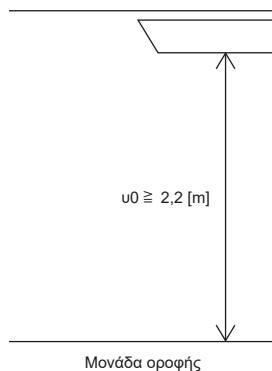
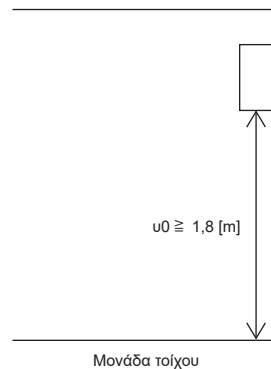
Εγκαταστήστε την εσωτερική μονάδα έτσι ώστε το ύψος από το δάπεδο έως το κάτω μέρος της εσωτερικής μονάδας να είναι u_0 ,

για μονάδα τοίχου: 1,8 m ή μεγαλύτερο,

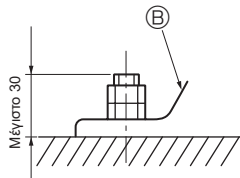
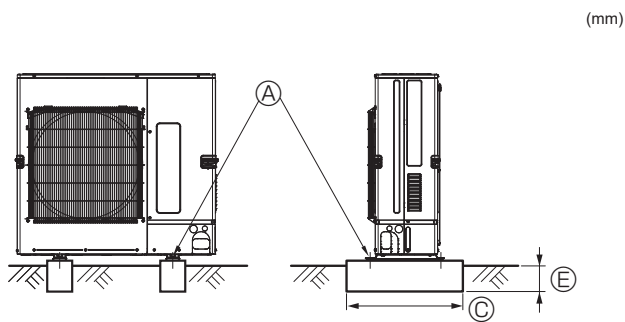
για μονάδα οροφής, κασέτα και κρυφή μονάδα οροφής: 2,2 m ή μεγαλύτερο.

* Ανάλογα με το μοντέλο ισχύουν περιορισμοί στο ύψος εγκατάστασης, επομένως διαβάστε το εγχειρίδιο εγκατάστασης για τη συγκεκριμένη μονάδα.

M [kg]	A_{min} [m ²]
1,0	4
1,5	6
2,0	8
2,5	10
3,0	12
3,5	14
4,0	16
4,5	20
5,0	24
5,5	29
6,0	35
6,5	41
7,0	47
7,5	54



3. Εγκατάσταση της εξωτερικής μονάδας



- Ⓐ Μπουλόνι M10 (3/8")
- Ⓑ Βάση
- Ⓒ Όσο το δυνατόν περισσότερο.
- Ⓓ Άνοιγμα εξαερισμού
- Ⓔ Τοποθετήστε βαθιά στο έδαφος

• Η μονάδα πρέπει να τοποθετηθεί σε σταθερή και επίπεδη επιφάνεια για την αποφυγή θορύβων κατά τη λειτουργία. (Fig. 3-1)

<Χαρακτηριστικά θεμελίωσης>

Μπουλόνι θεμελίωσης	M10 (3/8")
Πάχος σκυροδέματος	120 mm
Μήκος μπουλονιού	70 mm
Βάρος-ικανότητα συγκράτησης	320 kg

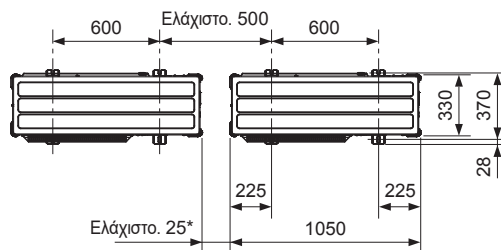
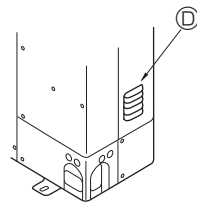
- Βεβαιωθείτε ότι το μήκος του μπουλονιού θεμελίωσης είναι το πολύ 30 mm από την κάτω επιφάνεια της βάσης.
- Στερεώστε καλά τη βάση της μονάδας με τέσσερα μπουλόνια θεμελίωσης M10 σε σταθερή επιφάνεια.

Εγκατάσταση της εξωτερικής μονάδας

- Μην φράσετε το άνοιγμα εξαερισμού. Σε αντίθετη περίπτωση, η λειτουργία της μονάδας παρεμποδίζεται και μπορεί να προκληθεί ζημιά.
- Εκτός από τη βάση της μονάδας, χρησιμοποιήστε και τις οπές στην πίσω πλευρά της μονάδας για τη σύνδεση συρμάτων στερέωσης κτλ., εφόσον χρειάζεται για την εγκατάσταση της μονάδας. Χρησιμοποιήστε λαμαρινόβιδες (ø5 × 15 mm ή λιγώτερο) και κάντε την εγκατάσταση επιτόπου.

⚠ Προειδοποίηση:

- Η μονάδα πρέπει να εγκατασταθεί και να στερεωθεί καλά σε μια επιφάνεια που μπορεί να αντέξει το βάρος της. Αν η μονάδα τοποθετηθεί σε ασταθή επιφάνεια, μπορεί να πέσει και να προκαλέσει τραυματισμούς.
- Η εγκατάσταση της μονάδας πρέπει να γίνει σύμφωνα με τις οδηγίες προκειμένου να ελαχιστοποιηθεί ο κίνδυνος ζημιάς από σεισμούς, τυφώνες ή δυνατούς ανέμους. Όταν η μονάδα δεν είναι σωστά εγκατεστημένη, μπορεί να πέσει και να προκαλέσει ζημιά ή τραυματισμό.



* Κατά την εγκατάσταση μίας μόνο εξωτερικής μονάδας, η απόσταση είναι 15 ή περισσότερο.

Fig. 3-1

4. Εγκατάσταση της σωλήνωσης ψυκτικού υγρού

4.1. Προφυλάξεις για τις συσκευές που χρησιμοποιούν ψυκτικό R32

- Ανατρέξτε στη 1.5. για προφυλάξεις που δεν περιλαμβάνονται παρακάτω σχετικά με τη χρήση κλιματιστικών με ψυκτικό R32.
- Χρησιμοποιήστε λάδι εστέρα, λάδι αιθέρα ή αλκυλιοβενζόλη (μικρή ποσότητα) σαν ψυκτικό λάδι για την εφαρμογή στα διαπλατυσμένα τμήματα.
- Χρησιμοποιήστε φωσφορούχο κρατέρωμα C1220 για τη σύνδεση των σωληνώσεων ψυκτικού, όταν έχετε χαλκοσωλήνες και σωλήνες κράματος χαλκού χωρίς ενώσεις. Χρησιμοποιείτε σωλήνες ψυκτικού με πάχος σύμφωνα με τις προδιαγραφές στον παρακάτω πίνακα. Βεβαιωθείτε ότι οι εσωτερικές επιφάνειες των σωλήνων είναι καθαρές και δεν περιέχουν επικίνδυνες προσμίξεις όπως θειικές ενώσεις, οξειδωτικά, ρινίσματα ή σκόνη. Να εφαρμόζεται πάντα μη οξειδωτική χαλκοκόλληση κατά τη χαλκοκόλληση των σωλήνων, διαφορετικά θα καταστραφεί ο συμπιεστής.

⚠ Προειδοποίηση:

Κατά την εγκατάσταση ή τη μετακίνηση του κλιματιστικού, χρησιμοποιείτε μόνο το συνιστώμενο ψυκτικό (R32) για την πλήρωση των γραμμών ψυκτικού. Μην το αναμιγνύετε με άλλο ψυκτικό μέσο και μην αφήνετε τον αέρα να παραμείνει μέσα στις γραμμές.

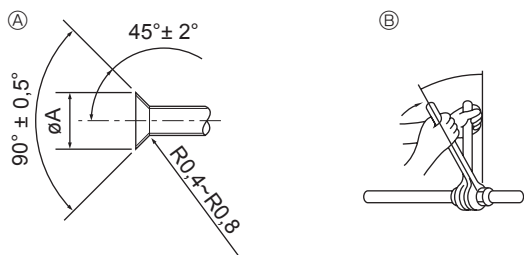
Εάν αναμιχθεί αέρας με το ψυκτικό, ενδέχεται να προκαλέσει ασυνήθιστα υψηλή πίεση στη γραμμή ψυκτικού, με ενδεχόμενο έκρηξης και άλλους κινδύνους.

Η χρήση ψυκτικού διαφορετικού από αυτό που καθορίζεται για το σύστημα θα προκαλέσει μηχανική βλάβη ή δυσλειτουργία του συστήματος ή ζημιά στο σύστημα. Στη χειρότερη περίπτωση, μια τέτοια ενέργεια ενδέχεται να υπονομεύσει την ασφάλεια του προϊόντος.

Μέγεθος σωλήνα (mm)	ø6,35	ø9,52	ø12,7	ø15,88	ø19,05	ø22,2	ø25,4	ø28,58
Πάχος (mm)	0,8	0,8	0,8	1,0	1,0	1,0	1,0	1,0

- Μην χρησιμοποιείτε σωλήνες με πάχος μικρότερο από τις προδιαγραφές του παραπάνω πίνακα.
- Χρησιμοποιήστε σωλήνες 1/2 Η ή Η εάν η διάμετρος είναι 19,05 mm ή μεγαλύτερη.
- Φροντίστε να υπάρχει κατάλληλος εξαερισμός, προκειμένου να αποτρέπεται τυχόν ανάφλεξη. Επιπλέον, φροντίστε να εφαρμόσετε μέτρα πυροπροληψής ώστε να μην υπάρχουν επικίνδυνα ή εύφλεκτα αντικείμενα στη γύρω περιοχή.

4. Εγκατάσταση της σωλήνωσης ψυκτικού υγρού



- Ⓐ Διαστάσεις εκχέλισης
Ⓑ Ροπή σύσφιξης για το περικόχλιο εκχέλισης

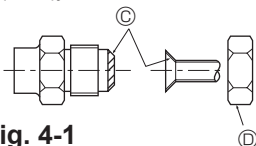


Fig. 4-1

Ⓐ (Fig. 4-1)

Διάμετρος χαλκοσωλήνα (mm)	Διαστάσεις εκχέλισης Διάσταση ϕΑ (mm)
ϕ6,35	8,7 - 9,1
ϕ9,52	12,8 - 13,2
ϕ12,7	16,2 - 16,6
ϕ15,88	19,3 - 19,7
ϕ19,05	23,6 - 24,0

Ⓑ (Fig. 4-1)

Διάμετρος χαλκοσωλήνα (mm)	Διάμετρος περικοχλίου εκχέλισης (mm)	Ροπή σύσφιξης (N·m)
ϕ6,35	17	14 - 18
ϕ6,35	22	34 - 42
ϕ9,52	22	34 - 42
ϕ12,7	26	49 - 61
ϕ12,7	29	68 - 82
ϕ15,88	29	68 - 82
ϕ15,88	36	100 - 120
ϕ19,05	36	100 - 120

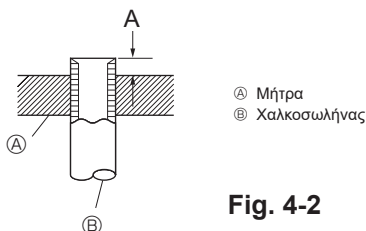
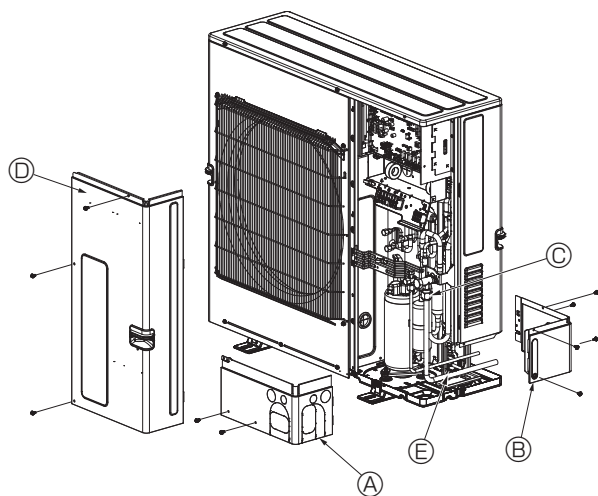


Fig. 4-2

- Ⓐ Μήτρα
Ⓑ Χαλκοσωλήνας



- Ⓐ Εμπρόσθιο κάλυμμα σωληνώσεων
Ⓑ Πίσω κάλυμμα σωληνώσεων
Ⓒ Βαλβίδα διακοπής
Ⓓ Καπάκι εξυπηρέτησης
Ⓔ Ακτίνα ζώνης : 100 mm - 150 mm

Fig. 4-3

4.2. Σωλήνες σύνδεσης (Fig. 4-1)

- Όταν είναι διαθέσιμοι στο εμπόριο χρησιμοποιούνται χαλκοσωλήνες, σπειροειδείς σωλήνες υγρού και αερίου με υλικό μόνωσης που διατίθεται στο εμπόριο (θερμική αντοχή έως 100°C ή μεγαλύτερη, πάχος 12 mm ή μεγαλύτερο).
- Τα εσωτερικά εξαρτήματα του σωλήνα αποστράγγισης πρέπει να περιτυλίγονται με μονωτικό αφρό πολυαιθυλαίνιου (ειδικό βάρος 0,03, πάχος 9 mm ή μεγαλύτερο).
- Πριν βιδώσετε το περικόχλιο εκχέλισης απλώστε στο σωλήνα και στην κοινή επιφάνεια που επικάθεται λεπτό στρώμα από ψυκτικό λάδι. Ⓐ
- Χρησιμοποιήστε δύο κλειδιά για να σφίξετε τις συνδέσεις των σωλήνων. Ⓑ
- Όταν έχουν γίνει οι συνδέσεις στις σωληνώσεις, χρησιμοποιήστε ένα όργανο εντοπισμού διαρροών ή διάλυμα σαπουνιού για να εντοπίσετε τυχόν διαρροές αερίου.
- Αλείψτε με ψυκτικό λάδι ολόκληρη την επιφάνεια στα διαπλάτυσματα τμήματα. Ⓒ
- Χρησιμοποιήστε τα παξιμάδια ρακόρ για το παρακάτω μέγεθος σωλήνα. Ⓓ

Πλευρά αερίου	Μέγεθος σωλήνα (mm)	ϕ15,88
Πλευρά υγρού	Μέγεθος σωλήνα (mm)	ϕ9,52

- Όταν κάμπτετε τους σωλήνες, προσέξτε να μην τους σπάσετε. Ακτίνες κάμψης της τάξης των 100 mm ή 150 mm είναι αρκετές.
- Βεβαιωθείτε ότι οι σωλήνες δεν έρχονται σε επαφή με το συμπιεστή. Μπορεί να προκληθεί μη φυσιολογικός θόρυβος ή κράσασμοι.
- Ⓛ Η σύνδεση των σωλήνων πρέπει να ξεκινά από την εσωτερική μονάδα. Για το σφίξιμο των περικοχλίων εκχέλισης πρέπει να χρησιμοποιείτε δυναμόκλειδο.
- Ⓜ Εκχειλώστε τους σωλήνες υγρού και αερίου και αλείψτε τους με ένα λεπτό στρώμα λαδιού ψυκτικού (επιτόπου εργασίας).
- Όταν χρησιμοποιούνται τα συνήθη υλικά για το σφράγισμα των σωλήνων, ανατρέξτε στον Πίνακα 1 για την εκχέλιση των σωλήνων με ψυκτικό R32. Για την επαλήθευση των μετρήσεων A πρέπει να χρησιμοποιήσετε το μετρητή διαστάσεων.

Πίνακα 1 (Fig. 4-2)

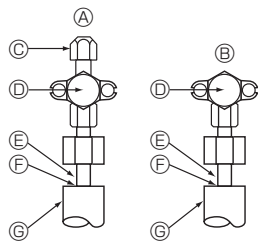
Διάμετρος χαλκοσωλήνα (mm)	A (mm)	
	Εργαλείο διαπλάτυσης για R32	Εργαλείο διαπλάτυσης για R22-R407C
	Τύπου σφιγκτήρα	
ϕ6,35 (1/4")	0 - 0,5	1,0 - 1,5
ϕ9,52 (3/8")	0 - 0,5	1,0 - 1,5
ϕ12,7 (1/2")	0 - 0,5	1,0 - 1,5
ϕ15,88 (5/8")	0 - 0,5	1,0 - 1,5
ϕ19,05 (3/4")	0 - 0,5	1,0 - 1,5

4.3. Σωληνώσεις ψυκτικού υγρού (Fig. 4-3)

Αφαιρέστε το πλαίσιο συντήρησης Ⓜ (3 βίδες), το εμπρόσθιο κάλυμμα Ⓛ (2 βίδες) και το πίσω κάλυμμα Ⓜ (5 βίδες).

- Ⓛ Κάντε τις συνδέσεις των σωληνώσεων για την εσωτερική/εξωτερική μονάδα όταν η ανασταλτική βαλβίδα της εξωτερικής μονάδας είναι εντελώς κλειστή.
- Ⓜ Κάντε εξαερισμό στην εσωτερική μονάδα και στους σωλήνες σύνδεσης.
- Ⓛ Αφού συνδέσετε τους σωλήνες ψυκτικού, ελέγξτε τους συνδεδεμένους σωλήνες και την εσωτερική μονάδα για τυχόν διαρροή αερίου. (Ανατρέξτε στην ενότητα 4.4. Μέθοδος ελέγχου αεροστεγανότητας του σωληνώσεων ψυκτικού.)
- Ⓛ Μια αντλία κενού υψηλής απόδοσης χρησιμοποιείται στη θυρίδα συντήρησης της ανασταλτικής βαλβίδας για τη διατήρηση κενού για αρκετό χρονικό διάστημα (μία ώρα τουλάχιστον αφού η πίεση φτάσει τα -101 kPa (5 Torr)), προκειμένου να πραγματοποιηθεί ξήρανση υπό κενό στο εσωτερικό των σωλήνων. Ελέγχετε πάντα το βαθμό κενού στην κάσα του μανομέτρου. Εάν στο σωλήνα εξακολουθεί να υπάρχει υγρασία, ο βαθμός κενού μερικές φορές δεν είναι δυνατόν να επιτευχθεί με εφαρμογή κενού για μικρό χρονικό διάστημα. Αφού ολοκληρωθεί η ξήρανση υπό κενό, ανοίξτε τελείως τις ανασταλτικές βαλβίδες (και των υγρών και των αερίων) για την εξωτερική μονάδα. Με αυτόν τον τρόπο γίνεται πλήρης σύνδεση των εσωτερικών και εξωτερικών κυκλωμάτων της ψυκτικής ουσίας.
 - Εάν η ξήρανση υπό κενό δεν είναι επαρκής, στα κυκλώματα της ψυκτικής ουσίας παραμένουν αέρας και υδρατμοί που μπορούν να προκαλέσουν υπερβολική αύξηση της υψηλής πίεσης, υπερβολική πτώση της χαμηλής πίεσης, φθορά του λαδιού της ψυκτικής μηχανής λόγω υγρασίας κ.λπ.
 - Αν οι ανασταλτικές βαλβίδες παραμένουν κλειστές και τεθεί σε λειτουργία το κλιματιστικό, ο συμπιεστής και οι βαλβίδες ελέγχου θα υποστούν ζημία.
 - Χρησιμοποιήστε έναν ανιχνευτή διαρροής ή νερό με σαπουνάδα για να ελέγξετε εάν υπάρχει διαρροή αερίου στα σημεία σύνδεσης των σωλήνων στην εξωτερική μονάδα.
 - Μην χρησιμοποιήσετε το ψυκτικό από τη μονάδα για την εξαέρωση των γραμμών ψυκτικού.
 - Αφού ολοκληρωθεί η διαδικασία, σφίξτε τα καπάκια των βαλβίδων με τη σωστή ροπή σύσφιξης: 20 έως 25 N·m (200 έως 250 kgf·cm). Αν ξεχάσετε να ξαναβάλετε και να σφίξετε τα καπάκια των βαλβίδων, θα έχει σαν αποτέλεσμα να σημειωθεί διαρροή ψυκτικού. Επιπλέον, μην προκαλέσετε φθορές στην εσωτερική επιφάνεια των καπακιών των βαλβίδων γιατί δρουν ως παρεμβύσματα για την αποτροπή διαρροής.
- Ⓜ Χρησιμοποιήστε στεγανωτικό υλικό για να σφραγίσετε τα άκρα της θερμομόνωσης γύρω από τα σημεία σύνδεσης των σωλήνων ώστε να μην είναι δυνατή η εισχώρηση νερού στη θερμομόνωση.

4. Εγκατάσταση της σωλήνωσης ψυκτικού υγρού



- Ⓐ Ανασταλτική βαλβίδα <Γραμμή υγρού>
- Ⓑ Ανασταλτική βαλβίδα <Γραμμή αερίου>
- Ⓒ Θυρίδα συντήρησης
- Ⓓ Τμήμα ανοίγματος/κλεισίματος
- Ⓔ Τοπικός σωλήνας
- Ⓕ Σφραγισμένος, όπως και στη γραμμή αερίου
- Ⓖ Κάλυμμα σωλήνα

Fig. 4-4

(1)

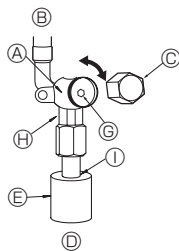


Fig. 4-5

(2)

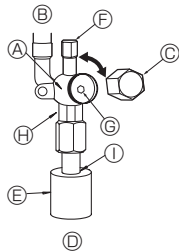
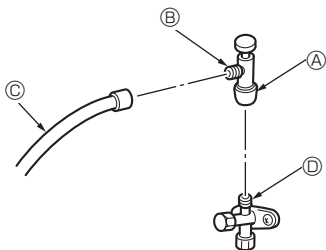


Fig. 4-6

- Ⓐ Βαλβίδα
- Ⓑ Πλευρά μονάδας
- Ⓒ Καπάκι
- Ⓓ Πλευρά τοπικού σωλήνα
- Ⓔ Κάλυμμα σωλήνα
- Ⓕ Θυρίδα συντήρησης
- Ⓖ Οπή για το κλειδί
- Ⓓ Τμήμα στεγανωτικού παρεμβύσματος (Στεγανοποιήστε με το άκρο του θερμομονωτικού υλικού το τμήμα σύνδεσης του σωλήνα χρησιμοποιώντας οποιοδήποτε μονωτικό υλικό διαθέτετε, έτσι ώστε το νερό να μην διαπερνά το θερμομονωτικό υλικό.)



- * Η εικόνα στα αριστερά δεν είναι παρά ένα παράδειγμα. Το σχήμα της βαλβίδας διακοπής, η θέση της θυρίδας συντήρησης κ.λπ. ενδέχεται να ποικίλλουν ανάλογα με το μοντέλο.
- * Περιστρέψτε μόνο το τμήμα Ⓓ. (Μην σφίγγετε άλλο τα τμήματα Ⓐ και Ⓑ.)

- Ⓒ Σωλήνας πλήρωσης
- Ⓓ Θυρίδα συντήρησης

Fig. 4-7

4.6. Προσθήκη ψυκτικού υγρού

- Δεν απαιτείται συμπληρωματική πλήρωση της μονάδας με ψυκτικό εάν το μήκος του σωλήνα δεν υπερβαίνει τα 30 m.
- Αν το μήκος του σωλήνα υπερβαίνει τα 30 m, πληρώστε τη μονάδα με πρόσθετη ποσότητα ψυκτικού R32 σύμφωνα με το επιτρεπόμενο μήκος σωλήνα στον παρακάτω πίνακα.
- * Όταν το κλιματιστικό δεν λειτουργεί, πληρώστε με το πρόσθετο ψυκτικό από την ανασταλτική βαλβίδα της γραμμής υγρού αφού εξεραθούν πρώτα όλες οι προεκτάσεις των σωληνώσεων και η εσωτερική μονάδα. Όταν το κλιματιστικό λειτουργεί, πληρώστε με ψυκτικό από τη βαλβίδα ελέγχου της γραμμής αερίου χρησιμοποιώντας μια συσκευή πλήρωσης ασφαλείας. Μην προσθέτετε υγρό ψυκτικό απευθείας στη βαλβίδα ελέγχου.
- * Μετά την πλήρωση της μονάδας με ψυκτικό, σημειώστε την ποσότητα του ψυκτικού που προσθέσατε στην ετικέτα συντήρησης (που βρίσκεται κολλημένη στη μονάδα). Ανατρέξτε στην ενότητα "1.5. Χρήση κλιματιστικών με ψυκτικό μέσο R32" για περισσότερες πληροφορίες.

Μοντέλο	Επιτρεπόμενο μήκος σωλήνα	Επιτρεπόμενη υφομετρική διαφορά	Πρόσθετη ποσότητα ψυκτικού					© Μέγιστη ποσότητα ψυκτικού
			31 - 40 m	41 - 50 m	51 - 55 m	56 - 60 m	61 - 65 m	
M100	- 55 m	- 30 m	0,4 kg	0,8 kg	1,0 kg	—	—	4,1 kg
M125, 140	- 65 m	- 30 m	0,4 kg	0,8 kg	1,0 kg	1,2 kg	1,4 kg	5,0 kg

4.4. Μέθοδος ελέγχου αεροστεγανότητας του σωληνώσεων ψυκτικού (Fig. 4-4)

- (1) Συνδέστε τα εργαλεία ελέγχου.
 - Βεβαιωθείτε ότι οι ανασταλτικές βαλβίδες Ⓐ Ⓑ είναι κλειστές και μην τις ανοίξετε.
 - Διοχετεύστε πίεση στις γραμμές ψυκτικού από το σημείο εξυπηρέτησης Ⓒ της ανασταλτικής βαλβίδας Ⓐ της γραμμής υγρού.
- (2) Μην διοχετεύσετε πίεση μέχρι την ενδειγμένη τιμή μεμιάς αλλά σταδιακά.
 - ① Αυξήστε την πίεση μέχρι 0,5 MPa (5 kgf/cm²G), περιμένετε πέντε λεπτά και βεβαιωθείτε ότι η πίεση δεν μειώνεται.
 - ② Αυξήστε την πίεση σε 1,5 MPa (15 kgf/cm²G), περιμένετε πέντε λεπτά και βεβαιωθείτε ότι η πίεση δεν μειώνεται.
 - ③ Αυξήστε την πίεση σε 4,15 MPa (41,5 kgf/cm²G) και μετρήστε τη θερμοκρασία περιβάλλοντος και την πίεση του ψυκτικού.
- (3) Αν η συγκεκριμένη πίεση διατηρείται σταθερή για μία περίπου ημέρα και δεν πέφτει, οι σωλήνες έχουν περάσει με επιτυχία τον έλεγχο αεροστεγανότητας και δεν υπάρχουν διαρροές.
 - Αν η θερμοκρασία περιβάλλοντος μεταβληθεί κατά 1°C, η πίεση θα μεταβληθεί επίσης κατά 0,01 MPa (0,1 kgf/cm²G). Κάντε τις απαραίτητες διορθώσεις.
- (4) Αν η πίεση μειωθεί στα βήματα (2) ή (3), τότε υπάρχει διαρροή αερίου. Αναζητήστε την αιτία της διαρροής.

4.5. Μέθοδος ανοίγματος ανασταλτικής βαλβίδας

Η μέθοδος ανοίγματος της ανασταλτικής βαλβίδας εξαρτάται από το μοντέλο της εξωτερικής μονάδας. Χρησιμοποιήστε την κατάλληλη μέθοδο για να ανοίξετε την ανασταλτική βαλβίδα.

- (1) Γραμμή αερίου (Fig. 4-5)
 - ① Βγάλτε το καπάκι και περιστρέψτε το στέλεχος της βαλβίδας προς τα αριστερά έως το τέρμα χρησιμοποιώντας ένα εξαγωνικό κλειδί 5 mm. Σταματήστε να περιστρέφετε έως ότου φτάσει στον αναστολέα. (φ15,88: Περίπου 13 στροφές)
 - ② Βεβαιωθείτε ότι η βαλβίδα διακοπής είναι εντελώς ανοιχτή, και περιστρέφοντας επαναφέρετε το καπάκι στην αρχική του θέση.
- (2) Γραμμή υγρού (Fig. 4-6)
 - ① Βγάλτε το καπάκι και περιστρέψτε το στέλεχος της βαλβίδας προς τα αριστερά έως το τέρμα χρησιμοποιώντας ένα εξαγωνικό κλειδί 4 mm. Σταματήστε να περιστρέφετε έως ότου φτάσει στον αναστολέα. (φ9,52: Περίπου 10 στροφές)
 - ② Βεβαιωθείτε ότι η ανασταλτική βαλβίδα έχει ανοίξει πλήρως και περιστρέφοντας επαναφέρετε το καπάκι στην αρχική του θέση.

Οι σωλήνες ψυκτικού τυλίγονται με ταινία για προστασία

- Οι σωλήνες μπορούν να τυλιχτούν με προστατευτική ταινία μέχρι να φθάσουν διάμετρο φ90 πριν ή μετά τη σύνδεσή τους. Ανοίξτε τη χαραγμένη τρύπα στο κάλυμμα των σωλήνων ακολουθώντας την αυλάκωση και τυλίξτε τους σωλήνες.

Ανοιγμα εισόδου σωλήνα

- Χρησιμοποιήστε στόκο ή μονωτικό υλικό για να σφραγίσετε το σημείο σύνδεσης των σωλήνων ώστε να μην υπάρχουν κενά. (Αν τα κενά δεν σφραγιστούν, μπορεί να ακούγεται ασυνήθιστος θόρυβος ή να εισχωρήσει στη μονάδα σκόνη ή νερό και να προκαλέσει βλάβη.)

Μέτρα ασφαλείας που πρέπει να τηρούνται κατά τη χρήση της βαλβίδας πλήρωσης (Fig. 4-7)

Μην σφίγγετε πάρα πολύ τη θυρίδα συντήρησης κατά την εγκατάσταση, καθώς μπορεί να παραμορφωθεί και να χαλαρώσει ο πυρήνας της βαλβίδας, με αποτέλεσμα τη διαρροή αερίου.

Αφού τοποθετήσετε το τμήμα Ⓑ προς τη σωστή κατεύθυνση, περιστρέψτε μόνο το τμήμα Ⓐ και σφίξτε το.

Αφού σφίξετε το τμήμα Ⓐ, μην σφίγγετε άλλο τα τμήματα Ⓐ και Ⓑ.

⚠ Προειδοποίηση:

Κατά την εγκατάσταση της μονάδας, συνδέστε με ασφάλεια τους σωλήνες ψυκτικού πριν θέσετε σε λειτουργία το συμπιεστή.

- Να είστε προσεκτικοί κατά την εγκατάσταση πολλαπλών μονάδων. Η σύνδεση σε λάθος εσωτερική μονάδα μπορεί να προκαλέσει ασυνήθιστα υψηλή πίεση με αποτέλεσμα σοβαρές επιπτώσεις στην απόδοση του κλιματιστικού.
- Αναπλήρωση συντήρησης R32: Πριν από την αναπλήρωση με R32 κατά τη συντήρηση του εξοπλισμού, για να διασφαλιστεί ότι δεν υπάρχει κίνδυνος έκρηξης από ηλεκτρικούς σπινθήρες, πρέπει να διασφαλιστεί ότι ο μηχανικός εξοπλισμός είναι 100% αποσυνδεδεμένος από την κεντρική παροχή.

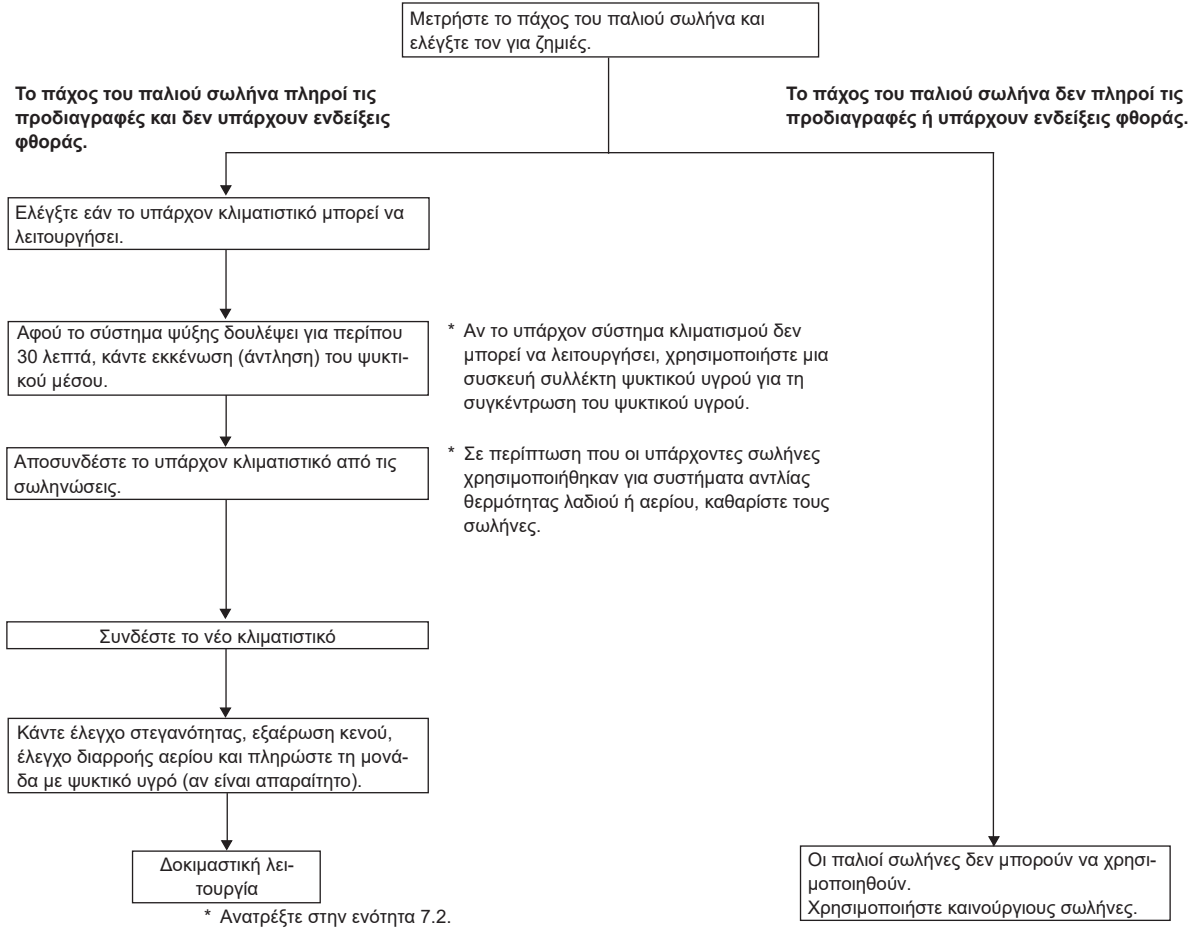
4. Εγκατάσταση της σωλήνωσης ψυκτικού υγρού

Επαναπλήρωση ψυκτικού (kg) για λιγότερο από 30 m (μήκος σωλήνα χωρίς ψυκτικό)

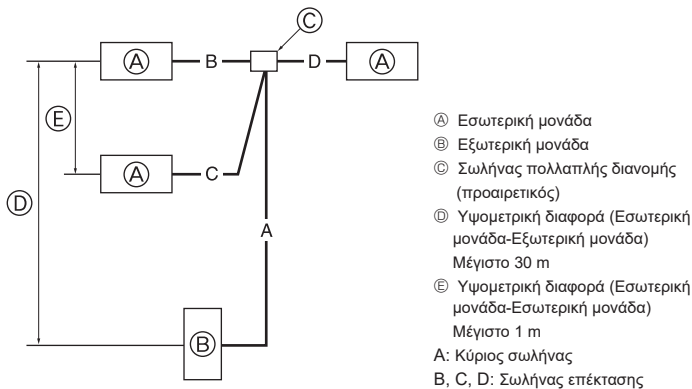
Εξωτερική μονάδα	5 m και λιγότερο	6 - 10 m	11 - 15 m	16 - 20 m	21 - 25 m	26 - 30 m
M100	2,0	2,2	2,4	2,6	2,8	3,1
M125, 140	2,6	2,8	3,0	3,2	3,4	3,6

4.7. Προφυλάξεις όταν χρησιμοποιείτε παλιούς σωλήνες ψυκτικού που περιείχαν ψυκτικό R22

- Ανατρέξτε στον παρακάτω πίνακα για να διαπιστώσετε εάν οι παλιοί σωλήνες μπορούν να χρησιμοποιηθούν και εάν είναι απαραίτητη η χρήση ξηραντήρα φίλτρου.
- Αν η διάμετρος των παλιών σωλήνων είναι διαφορετική από την συνιστώμενη, ανατρέξτε σε τεχνικά εγχειρίδια για να διαπιστώσετε εάν μπορείτε να χρησιμοποιήσετε τους παλιούς σωλήνες.



<Περιορισμοί εγκατάστασης σωληνώσεων ψυκτικού>



M100 : $A+B+C (+D) \leq 55$ m
 M125, 140 : $A+B+C (+D) \leq 65$ m
 * "D" αναφέρεται σε τριπλή εγκατάσταση.

4.8. Για διπλό/τριπλό συνδυασμό (Fig. 4-8)

- Όταν αυτή η μονάδα χρησιμοποιείται ως "ΠΟΛΥΔΙΑΙΡΟΥΜΕΝΟ ΣΥΣΤΗΜΑ", εγκαταστήστε τις σωληνώσεις ψυκτικού συνυπολογίζοντας τους περιορισμούς που αναγράφονται στο σχέδιο στα αριστερά. Επιπλέον, αν πρόκειται να υπερβείτε τους περιορισμούς ή αν πρόκειται να γίνουν συνδυασμοί εσωτερικών και εξωτερικών μονάδων, ανατρέξτε στις οδηγίες εγκατάστασης της εσωτερικής μονάδας για λεπτομέρειες σχετικά με την εγκατάσταση.

Εξωτερική μονάδα	Επιτρεπόμενο συνολικό μήκος σωληνώσεων A+B+C+D	B ή C ή D	Μήκος σωληνώσεων χωρίς πλήρωση A+B+C+D
M100	55 m και λιγότερο	20 m και λιγότερο	30 m και λιγότερο
M125, 140	65 m και λιγότερο	20 m και λιγότερο	30 m και λιγότερο

Εξωτερική μονάδα	B-C ή B-D ή C-D	Αριθμός κάμψεων
M100-140	8 m και λιγότερο	Μέγ. 15

Fig. 4-8

5. Εργασίες Σωληνώσεων Αποχέτευσης

Σύνδεση σωλήνα αποχέτευσης εξωτερικής μονάδας

Όταν απαιτείται αποχετευτική σωληνώση, χρησιμοποιήστε την οπή ή το δοχείο αποστράγγισης (προαιρετικά μέρη).

	M100-140
Οπή αποστράγγισης	PAC-SG61DS-E
Δοχείο αποστράγγισης	PAC-SH97DP-E

6. Ηλεκτρικές εργασίες

6.1. Εξωτερική μονάδα (Fig. 6-1, Fig. 6-2)

- ① Αφαιρέστε το πλαίσιο συντήρησης.
- ② Συνδέστε τα καλώδια που αναφέρονται στην Fig. 6-1 και στην Fig. 6-2.

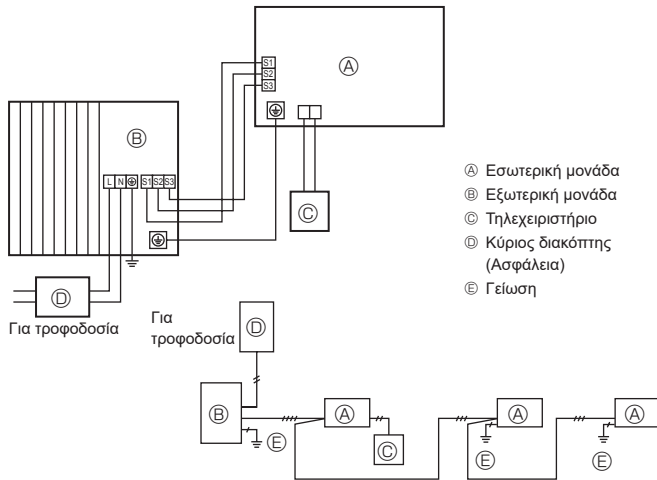


Fig. 6-1

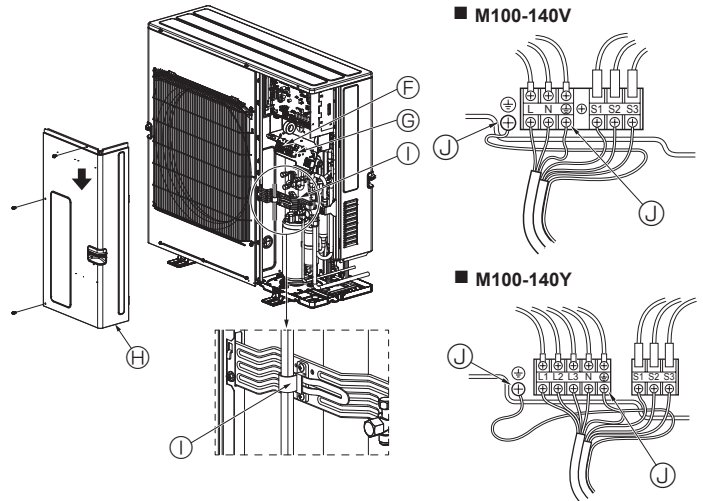


Fig. 6-2

- Ⓧ Πίνακας ακροδεκτών
- Ⓨ Πίνακας ακροδεκτών σύνδεσης εσωτερικής/εξωτερικής μονάδας (S1, S2, S3)
- Ⓩ Κάλυμμα εξυπηρέτησης
- ⓓ Σφικτήρας
- * Συνδέστε τα καλώδια ώστε να μην έρχονται σε επαφή με το κέντρο του καλύμματος συντήρησης ή με το βαλβίδα αερίου.
- ⓐ Ακροδέκτης γείωσης

Σημείωση:

Αν αφαιρεθεί το προστατευτικό φύλλο του πίνακα ηλεκτρικών συνδέσεων κατά την επισκευή ή τη συντήρηση, μην ξεχάσετε να το επανατοποθετήσετε.

⚠ Προσοχή:

Φροντίστε να εγκαταστήσετε την Γραμμή-N. Χωρίς την Γραμμή-N μπορεί να προκληθεί βλάβη στη μονάδα.

6. Ηλεκτρικές εργασίες

6.2. Υπαίθρια καλωδίωση

Μοντέλο εξωτερικής μονάδας	M100, 125V	M140V	M100, 125, 140Y	
Εξωτερική μονάδα Ηλεκτρική παροχή	~/N (Μονή), 50 Hz, 230 V	~/N (Μονή), 50 Hz, 230 V	3N~ (3 φάσεων - 4 καλώδια), 50 Hz, 400 V	
Ικανότητα εισόδου εξωτερικής μονάδας Κεντρικός διακόπτης (Ασφάλεια)	*1 32 A	40 A	16 A	
Καλωδίωση Καλώδια No. x μέγεθος (mm ²)	Εξωτερική μονάδα Ηλεκτρική παροχή	3 x Ελάχιστο. 6	5 x Ελάχιστο. 1,5	
	Εσωτερική μονάδα-Εξωτερική μονάδα	*2 3 x 1,5 (πολικότητα)	3 x 1,5 (πολικότητα)	3 x 1,5 (πολικότητα)
	Γείωση εσωτερικής μονάδας - εξωτερικής μονάδας	*2 1 x Ελάχιστο. 1,5	1 x Ελάχιστο. 1,5	1 x Ελάχιστο. 1,5
	Σύνδεση τηλεχειριστήριου/εσωτερικής μονάδας	*3 2 x 0,3 (χωρίς πολικότητα)	2 x 0,3 (χωρίς πολικότητα)	2 x 0,3 (χωρίς πολικότητα)
Ονομαστική ισχύς κυκλώ- ματος	Εξωτερική μονάδα L-N (Μονή)	230 VAC	230 VAC	230 VAC
	Εξωτερική μονάδα L1-N, L2-N, L3-N (3 φάσεων)	*4	230 VAC	230 VAC
	Εσωτερική μονάδα-Εξωτερική μονάδα S1-S2	*4 230 VAC	230 VAC	230 VAC
	Εσωτερική μονάδα-Εξωτερική μονάδα S2-S3	*4 24 VDC	24 VDC	24 VDC
Σύνδεση τηλεχειριστήριου/εσωτερικής μονάδας	*4 12 VDC	12 VDC	12 VDC	

*1. Χρησιμοποιήστε διακόπτη διαρροής προς γη (NV) με διάκενο τουλάχιστον 3,0 mm σε κάθε πόλο.
Βεβαιωθείτε ότι ο διακόπτης διαρροής είναι συμβατός με υψηλές συχνότητες.
Πάντα να χρησιμοποιείτε διακόπτη διαρροής συμβατό με υψηλές συχνότητες καθώς αυτή η μονάδα είναι εξοπλισμένη με αναστροφέα.
Η χρήση ανεπαρκούς διακόπτη ενδέχεται να οδηγήσει σε λανθασμένη λειτουργία του αναστροφέα.

*2. Μέγ. 45 m

Εάν χρησιμοποιείτε 2,5 mm², Μέγ. 50 m

Εάν χρησιμοποιείτε 2,5 mm² και S3 ξεχωριστά, Μέγ. 80 m

*3. Το τηλεχειριστήριο παραδίδεται με καλώδιο μήκους 10 m.

*4. Οι τιμές ΔΕΝ λαμβάνονται πάντοτε ως προς τη γείωση.

Ο ακροδέκτης S3 έχει διαφορά τάσης 24 VDC ως προς τον ακροδέκτη S2. Μεταξύ των ακροδεκτών S3 και S1, δεν υπάρχει ηλεκτρική μόνωση από το μετασχηματιστή ή άλλη συσκευή.



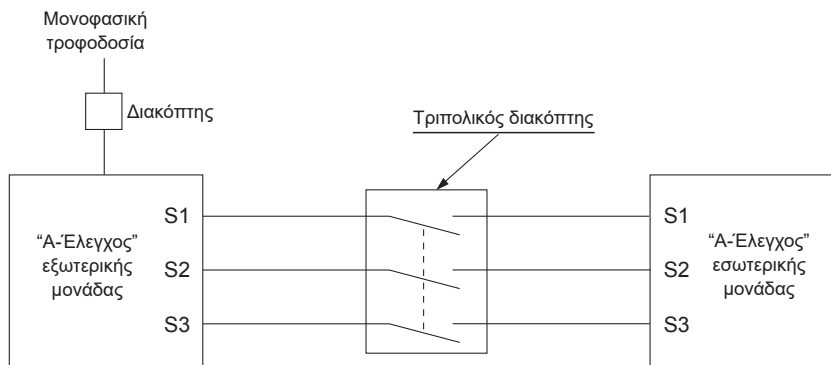
Σημειώσεις: 1. Οι διαστάσεις των καλωδίων πρέπει να συμμορφώνονται με τον ισχύοντα τοπικό και εθνικό κώδικα.

2. Το καλώδιο τροφοδοσίας και τα καλώδια σύνδεσης εσωτερικής/εξωτερικής μονάδας δεν θα πρέπει να είναι το ίδιο ή περισσότερο ελαφριά από το εύκαμπτο καλώδιο με περίβλημα πολυχλωροπρενίου (σχέδιο 60245 IEC 57).

3. Χρησιμοποιήστε καλώδιο γείωσης μεγαλύτερου μήκους από τα άλλα καλώδια ώστε να μην αποσυνδέεται σε περίπτωση που τεντωθεί.

4. Χρησιμοποιήστε αυτοσβενόμενα καλώδια διανομής για την καλωδίωση τροφοδοσίας.

5. Δρομολογήστε σωστά την καλωδίωση έτσι ώστε να μην έρχεται σε επαφή με την άκρη του μεταλλικού ελάσματος ή με τις αιχμές των βιδών.



⚠ Προειδοποίηση:

- Σε περίπτωση καλωδίωσης ελέγχου A, υπάρχει υψηλό δυναμικό τάσης στον ακροδέκτη S3 που προκαλείται από τη σχεδίαση του ηλεκτρικού κυκλώματος που δεν παρέχει μόνωση μεταξύ της γραμμής τροφοδοσίας και της γραμμής μετάδοσης του σήματος. Επομένως, κλείνετε πάντα την κεντρική τροφοδοσία πριν την εκτέλεση εργασιών συντήρησης. Και μην αγγίζετε τους ακροδέκτες S1, S2, S3 όταν αποκατασταθεί η τροφοδοσία. Εάν πρέπει να χρησιμοποιηθεί αποζεύκτης μεταξύ της εσωτερικής και της εξωτερικής μονάδας, χρησιμοποιήστε αποζεύκτη 3 πόλων.

Ποτέ μη συγκολλήσετε το καλώδιο τροφοδοσίας ή το καλώδιο σύνδεσης εσωτερικής-εξωτερικής μονάδας, διαφορετικά μπορεί να προκληθεί καπνός, πυρκαγιά ή σφάλμα επικοινωνίας.

Προσέξτε να συνδέσετε τα εσωτερικά-εξωτερικά καλώδια σύνδεσης κατευθειαν στις μονάδες (χωρίς ενδιάμεση σύνδεση).

Οι ενδιάμεσες συνδέσεις μπορεί να οδηγήσουν σε σφάλματα επικοινωνίας αν ειχωρήσει νερό στα καλώδια και προκαλέσει ανεπαρκή μόνωση γείωσης ή κακή ηλεκτρική επαφή στο σημείο της ενδιάμεσης σύνδεσης.

7. Δοκιμαστική λειτουργία

7.1. Πριν από τη δοκιμαστική λειτουργία

- ▶ Μετά την εγκατάσταση και αφού τελειώσετε με την καλωδίωση και τη σωλήνωση της εσωτερικής και της εξωτερικής μονάδας, ελέγξτε για τυχόν διαρροή ψυκτικού, χαλαρά καλώδια ηλεκτρικής παροχής ή καλωδίωσης ελέγχου, λανθασμένη πολικότητα ή αποσύνδεση μίας από τις φάσεις της παροχής.
- ▶ Χρησιμοποιήστε ένα μεγόμετρο τάσης 500 V για να ελέγξετε ότι η αντίσταση μεταξύ των θερματικών της ηλεκτρικής παροχής και της γείωσης είναι τουλάχιστο 1 MΩ (μεγαώμ).
- ▶ Μην εκτελέσετε αυτή τη δοκιμή στα θερματικά της καλωδίωσης ελέγχου (κύκλωμα χαμηλής τάσης).

⚠ Προειδοποίηση:

Μην χρησιμοποιήσετε το κλιματιστικό αν η αντίσταση μόνωσης είναι μικρότερη από 1 MΩ.

Αντίσταση μόνωσης

Μετά την εγκατάσταση ή αφού έχετε αποσυνδέσει το κλιματιστικό από την πηγή τροφοδοσίας για μεγάλο χρονικό διάστημα, η αντίσταση της μόνωσης θα πέσει κάτω από 1 MΩ εξαιτίας της συσσώρευσης ψυκτικού στο συμπίεστή. Αυτό δεν αποτελεί βλάβη. Εκτελέστε τις παρακάτω εργασίες.

1. Απομακρύνετε τα καλώδια από το συμπίεστή και μετρήστε την αντίσταση μόνωσης του συμπίεστή.
2. Αν η αντίσταση της μόνωσης είναι κάτω από 1 MΩ, ο συμπίεστής έχει βλάβη ή η αντίσταση έπεσε εξαιτίας της συσσώρευσης ψυκτικού στο συμπίεστή.
3. Αφού συνδέσετε τα καλώδια στο συμπίεστή, ο συμπίεστής θα αρχίσει να θερμαίνεται μόλις τροφοδοτηθεί με ρεύμα. Αφού τροφοδοτηθεί με ρεύμα για τους χρόνους που αναφέρονται παρακάτω, μετρήστε ξανά την αντίσταση της μόνωσης.

- Η αντίσταση μόνωσης πέφτει εξαιτίας της συσσώρευσης ψυκτικού στο συμπίεστή. Η αντίσταση θα ανέβει και πάλι πάνω από 1 MΩ αφού ο συμπίεστής θερμανθεί για 4 ώρες.
(Ο χρόνος που απαιτείται για τη θέρμανση του συμπίεστή ποικίλλει ανάλογα με τις συνθήκες του περιβάλλοντος και τη συσσώρευση ψυκτικού.)
 - Για να δουλέψει ο συμπίεστής με συσσωρευμένο ψυκτικό, πρέπει πρώτα να θερμανθεί τουλάχιστον 12 ώρες για να αποτραπεί ο κίνδυνος βλάβης.
4. Αν η αντίσταση της μόνωσης ανέβει πάνω 1 MΩ, ο συμπίεστής δεν έχει βλάβη.

⚠ Προσοχή:

- Ο συμπίεστής δεν θα λειτουργήσει εάν η φάση της ηλεκτρικής παροχής δεν είναι σωστή.
- Ανοίξτε τον διακόπτη τροφοδοσίας τουλάχιστον 12 ώρες πριν την έναρξη λειτουργίας.
- Αρχίζοντας τη λειτουργία της συσκευής αμέσως μετά το άνοιγμα του κεντρικού διακόπτη τροφοδοσίας, ενδέχεται να προκληθεί σοβαρή ζημιά σε εσωτερικά τμήματα. Κατά την εποχή διάρκειας λειτουργίας της συσκευής, αφήστε τον διακόπτη τροφοδοσίας αναμμένο.

▶ Πρέπει επίσης να ελέγξετε τα παρακάτω.

- Η εξωτερική μονάδα δεν έχει βλάβη. Οι ενδεικτικές λυχνίες LED1 και LED2 στον πίνακα ελέγχου της εξωτερικής μονάδας αναβοσβήνουν όταν η εξωτερική μονάδα παρουσιάζει βλάβη.
- Οι ανασταλτικές βαλβίδες και της γραμμής υγρού και της γραμμής αερίου είναι εντελώς ανοικτές.
- Ένα προστατευτικό φύλλο καλύπτει την επιφάνεια των κωδικοδιακοπών στον πίνακα ελέγχου της εξωτερικής μονάδας. Αφαιρέστε το προστατευτικό φύλλο για να μπορείτε να αλλάξετε ευκολότερα θέση στους διακόπτες.

7.2. Δοκιμαστική λειτουργία

7.2.1. Χρησιμοποιώντας SW4 στην εξωτερική μονάδα

SW4-1	ON	Λειτουργία ψύξης
SW4-2	OFF	
SW4-1	ON	Λειτουργία θέρμανσης
SW4-2	ON	

* Αιού κάνετε τη δοκιμαστική λειτουργία, ρυθμίστε τον διακόπτη SW4-1 στη θέση OFF.

- Μετά την τροφοδοσία με ρεύμα, ίσως ακουστεί ένας σιγανός ήχος κλικ από την εσωτερική μονάδα. Η ηλεκτρονική βαλβίδα εκτόνωσης ανοίγει και κλείνει. Αυτό δεν σημαίνει ότι η μονάδα έχει βλάβη.
- Λίγα δευτερόλεπτα μετά τη λειτουργία του συμπίεστή, ίσως ακουστεί ένας μεταλλικός ήχος από την εσωτερική μονάδα. Ο ήχος αυτός προέρχεται από τη βαλβίδα ελέγχου εξαιτίας της μικρής διαφοράς πίεσης στους σωλήνες. Αυτό δεν σημαίνει ότι η μονάδα έχει βλάβη.

Ο τρόπος λειτουργίας της μονάδας κατά τη δοκιμαστική λειτουργία δεν αλλάζει με τον κωδικοδιακόπτη SW4-2 ενώ εκτελείται η δοκιμαστική λειτουργία. (Για να αλλάξετε τον τρόπο λειτουργίας της μονάδας κατά τη δοκιμαστική λειτουργία, διακόψτε τη δοκιμαστική λειτουργία με το διακόπτη SW4-1. Αφού αλλάξετε τον τρόπο λειτουργίας, επαναλάβετε τη δοκιμαστική λειτουργία της μονάδας με το διακόπτη SW4-1.)

7.2.2. Χρήση του τηλεχειριστηρίου

Ανατρέξτε στο εγχειρίδιο εγκατάστασης της εσωτερικής μονάδας.

Σημείωση:

Περιστασιακά, ο ατμός που παράγεται από την διαδικασία της απόψυξης μπορεί να φαίνεται ότι βγαίνει ως καπνός από την εξωτερική μονάδα.

8. Ειδικές λειτουργίες

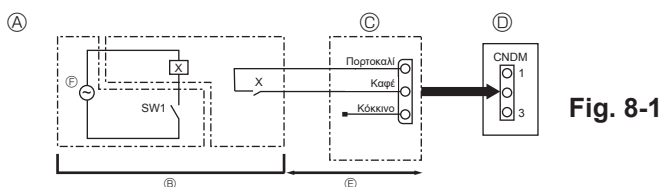


Fig. 8-1

- Ⓐ Παράδειγμα διαγράμματος κυκλώματος (λειτουργία με χαμηλότερα επίπεδα θορύβου)
 Ⓑ Επιτόπου επέμβαση
 Ⓒ Εξωτερικός διακόπτης δυαδικής εισαγωγής (PAC-SC36NA-E)
 X: Ρελέ
 Ⓓ Πίνακας ελέγχου εξωτερικής μονάδας
 Ⓔ Μέγ. 10 m
 Ⓕ Παροχή ρεύματος για το ρελέ

8.1. Λειτουργία με χαμηλότερα επίπεδα θορύβου (επιτόπου τροποποίηση) (Fig. 8-1)

Με την παρακάτω τροποποίηση, μπορεί να μειωθεί ο θόρυβος από τη λειτουργία της μονάδας κατά περίπου 3-4 dB.

Η λειτουργία με χαμηλότερα επίπεδα θορύβου είναι εφικτή όταν συνδεθεί στη φάση CNDM (πωλείται ξεχωριστά) του πίνακα ελέγχου της εξωτερικής μονάδας ένας χρονοδιακόπτης του εμπορίου ή η είσοδος επαφής ενός διακόπτη ON/OFF.

- Η μείωση του θορύβου ποικίλλει ανάλογα με την εξωτερική θερμοκρασία και τις συνθήκες του περιβάλλοντος κτλ.
- ① Κλείστε το κύκλωμα όπως δείχνει η εικόνα όταν χρησιμοποιείτε εξωτερικό διακόπτη δυαδικής εισαγωγής (PAC-SC36NA-E). (Πωλείται ξεχωριστά)
- ② SW7-1 (Πίνακας ελέγχου εξωτερικής μονάδας): OFF
- ③ SW1 ON: Λειτουργία με χαμηλότερα επίπεδα θορύβου
SW1 OFF: Κανονική λειτουργία

8.2. Λειτουργία ρύθμισης (επιτόπου τροποποίηση) (Fig. 8-2)

Με την παρακάτω τροποποίηση, η κατανάλωση ενέργειας μπορεί να μειωθεί στο 0-100% της κανονικής κατανάλωσης.

Η λειτουργία ρύθμισης θα ενεργοποιηθεί όταν συνδεθεί στη φάση CNDM (πωλείται ξεχωριστά) ένας χρονοδιακόπτης του εμπορίου ή η είσοδος επαφής ενός διακόπτη ON/OFF (Ενεργοποίηση/Απενεργοποίηση).

- ① Κλείστε το κύκλωμα όπως δείχνει η εικόνα όταν χρησιμοποιείτε εξωτερικό διακόπτη δυαδικής εισαγωγής (PAC-SC36NA-E). (Πωλείται ξεχωριστά)
- ② Ρυθμίζοντας τους διακόπτες επιλογής SW7-1 στον πίνακα ελέγχου της εξωτερικής μονάδας, η κατανάλωση ενέργειας (συγκριτικά με την κανονική κατανάλωση) μπορεί να περιοριστεί, όπως φαίνεται παρακάτω.

	SW7-1	SW2	SW3	Κατανάλωση ενέργειας
Λειτουργία ρύθμισης	ON	OFF	OFF	100%
		ON	OFF	75%
		ON	ON	50%
		OFF	ON	0% (Διακοπή)

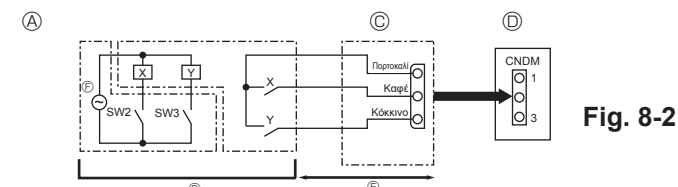


Fig. 8-2

- Ⓐ Παράδειγμα διαγράμματος κυκλώματος (λειτουργία ρύθμισης)
 Ⓑ Επιτόπου επέμβαση
 X, Y: Ρελέ
 Ⓒ Εξωτερικός διακόπτης δυαδικής εισαγωγής (PAC-SC36NA-E)
 Ⓓ Πίνακας ελέγχου εξωτερικής μονάδας
 Ⓔ Μέγ. 10 m
 Ⓕ Παροχή ρεύματος για το ρελέ

8. Ειδικές λειτουργίες

8.3. Εκκένωση του ψυκτικού (άντληση)

Ακολουθήστε την παρακάτω διαδικασία για την εκκένωση του ψυκτικού όταν πρόκειται να μετακινήσετε την εσωτερική ή την εξωτερική μονάδα.

① Τροφοδοτήστε με ρεύμα το κλιματιστικό (διακόπτης κυκλώματος).

* Κατά την τροφοδοσία με ρεύμα, βεβαιωθείτε ότι στο τηλεχειριστήριο δεν εμφανίζεται η ένδειξη "CENTRALLY CONTROLLED". Αν εμφανίζεται η ένδειξη "CENTRALLY CONTROLLED", τότε η εκκένωση (άντληση) του ψυκτικού δεν μπορεί να γίνει με το συνηθισμένο τρόπο.

* Χρειάζονται περίπου 3 λεπτά για την έναρξη της επικοινωνίας μεταξύ της εσωτερικής και της εξωτερικής μονάδας μετά την ενεργοποίηση της τροφοδοσίας (διακόπτης δικτύου). Εκκινήστε τη διαδικασία εκκένωσης 3 έως 4 λεπτά μετά την ενεργοποίηση της τροφοδοσίας (διακόπτης δικτύου).

② Αφού κλείσετε την ανασταλτική βαλβίδα της γραμμής υγρού, γυρίστε το διακόπτη SWP στον πίνακα ελέγχου της εξωτερικής μονάδας στη θέση ON. Ο συμπιεστής (εξωτερική μονάδα) και οι ανεμιστήρες (εσωτερική και εξωτερική μονάδα) αρχίζουν να λειτουργούν και η εκκένωση του ψυκτικού αρχίζει. Οι λυχνίες LED1 και LED2 στον πίνακα ελέγχου της εξωτερικής μονάδας είναι αναμμένες.

* Βάλτε το διακόπτη SWP (τύπου κουμπιού) στη θέση ON όταν η μονάδα σταματήσει να λειτουργεί. Ωστόσο, ακόμη και εάν η μονάδα έχει σταματήσει να λειτουργεί και γυρίσετε το διακόπτη SWP στη θέση ON πριν περάσουν 3 λεπτά από τη διακοπή της λειτουργίας του συμπιεστή, δεν είναι δυνατή η εκτέλεση της λειτουργίας εκκένωσης ψυκτικού. Περιμένετε μέχρι να περάσουν τουλάχιστον 3 λεπτά αφού σταματήσει να λειτουργεί ο συμπιεστής και μετά βάλτε ξανά το διακόπτη SWP στη θέση ON.

③ Δεδομένου ότι η λειτουργία της μονάδας σταματά αυτόματα ύστερα από 2 ή 3 λεπτά μετά την ολοκλήρωση της διαδικασίας συλλογής ψυκτικού υγρού (λυχνία LED1 σβηστή, λυχνία LED2 αναμμένη), φροντίστε να κλείσετε σύντομα τη βαλβίδα διακοπής κυκλοφορίας αερίου. Εάν η λυχνία LED1 είναι αναμμένη και η λυχνία LED2 σβηστή και η λειτουργία της εξωτερικής μονάδας έχει σταματήσει, δεν εκτελείται σωστά η διαδικασία συλλογής ψυκτικού υγρού. Ανοίξτε εντελώς τη βαλβίδα διακοπής κυκλοφορίας του υγρού και επαναλάβετε το βήμα ② αφού περάσουν 3 λεπτά.

* Εάν η διαδικασία συλλογής του ψυκτικού υγρού ολοκληρωθεί κανονικά (λυχνία LED1 σβηστή, λυχνία LED2 αναμμένη), η μονάδα θα παραμείνει σταματημένη έως ότου απενεργοποιηθεί η τροφοδοσία ρεύματος.

④ Διακόψτε την τροφοδοσία ρεύματος (διακόπτης κυκλώματος).

* Λάβετε υπόψη σας ότι όταν οι σωληνώσεις επέκτασης είναι πολύ μακριές και έχουν μεγάλες ποσότητες ψυκτικού υγρού, ενδέχεται να μην είναι δυνατή η εκτέλεση της διαδικασίας εκκένωσης. Όταν πραγματοποιείτε την άντληση, βεβαιωθείτε ότι η χαμηλή πίεση είναι μικρότερη ή κοντά στα 0 MPa (μετρητής).

⚠ Προειδοποίηση:

Κατά την εκκένωση του ψυκτικού, σταματήστε το συμπιεστή πριν αποσυνδέσετε τους σωλήνες ψυκτικού. Ο συμπιεστής ενδέχεται να εκραγεί εάν εισέλθει στο εσωτερικό του αέρας κ.τ.λ.

9. Έλεγχος συστήματος (Fig. 9-1)

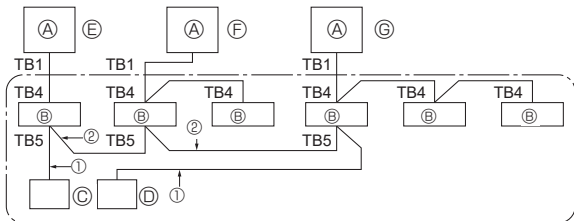
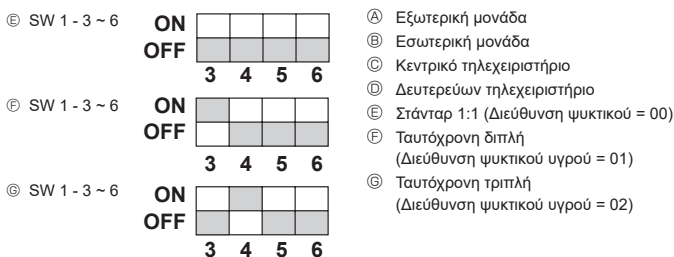


Fig. 9-1

* Ρυθμίστε τη διεύθυνση του ψυκτικού υγρού με το διακόπτη συσκευασίας της εξωτερικής μονάδας.

① Σύνδεση με καλώδιο από το Τηλεχειριστήριο

Το καλώδιο αυτό συνδέεται με το TB5 (πλακίδιο ακροδεκτών του τηλεχειριστηρίου) της εσωτερικής μονάδας (μη πολικό).

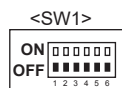
② Όταν γίνεται χρήση ενός διαφορετικού συστήματος ψυκτικού υγρού.

Μπορούν να ελέγχονται μέχρι 16 συστήματα ψυκτικού υγρού, ως μία ομάδα, χρησιμοποιώντας το λεπτό τηλεχειριστήριο MA.

Παρατήρηση:

Σε απλό σύστημα ψυκτικού (διπλό/τριπλό), δεν υπάρχει ανάγκη καλωδίωσης ②.

SW1
Πίνακας
λειτουργιών



	Λειτουργία	Λειτουργία ανάλογα με τη ρύθμιση του διακόπτη	
		ON	OFF
Ρυθμίσεις λειτουργίας SW1	1 Υποχρεωτική απόψυξη	Έναρξη	Φυσιολογική
	2 Διαγραφή ιστορικού σφαλμάτων	Διαγραφή	Φυσιολογική
	3 Ορισμός διεύθυνσης συστήματος	Ρυθμίσεις για τις διευθύνσεις εξωτερικής μονάδας 0 έως 15	
	4		
	5 ψυκτικού		
	6		

Índice

1. Precauções de Segurança	1	6. Trabalho de electricidade	10
2. Localização da instalação	2	7. Ensaio.....	12
3. Instalação da unidade exterior	6	8. Funções especiais.....	12
4. Instalação da tubagem do refrigerante.....	6	9. Controlo do sistema (Fig. 9-1).....	13
5. Trabalho de tubagem de drenagem	10		



Nota: Este símbolo destina-se apenas aos países da UE.

Este símbolo encontra-se em conformidade com a Informação do Artigo 14 da directiva 2012/19/UE para utilizadores e Anexo IX.

O seu produto MITSUBISHI ELECTRIC foi concebido e produzido com materiais e componentes de alta qualidade que podem ser reciclados e reutilizados.

Este símbolo significa que o equipamento eléctrico e electrónico no final da sua vida útil deve ser deitado fora separadamente do lixo doméstico.

Por favor, entregue este equipamento no seu ponto local de recolha/reciclagem.

Na União Europeia existem sistemas de recolha separados para produtos eléctricos e electrónicos usados.

Por favor, ajude-nos a conservar o ambiente em que vivemos!

⚠ Cuidado:

- Não libertar o R32 para a atmosfera.

1. Precauções de Segurança

- ▶ Antes de instalar a unidade, leia atentamente as “Precauções de Segurança”.
- ▶ Reporte-se ou peça autorização à autoridade responsável pelo fornecimento antes de proceder à ligação do sistema.
- ▶ A PUZ-M•Y é concebida para aplicações comerciais e industriais ligeiras.
- ▶ Equipamento em conformidade com a norma IEC/EN 61000-3-12 (PUZ-M100/125/140V)

⚠ Aviso:

Descreve as precauções a observar para evitar riscos de ferimentos ou morte ao utilizador.

⚠ Cuidado:

Descreve os cuidados a ter para não danificar a unidade.

Após ter concluído a instalação, explique as “Precauções de Segurança”, a utilização e a manutenção da unidade ao cliente, de acordo com as informações do Manual de Funcionamento, e efectue um ensaio para verificar se a unidade está a funcionar correctamente. O Manual de Instalação e o Manual de Funcionamento devem ser fornecidos ao utilizador, para que este os guarde. Os referidos manuais deverão ser fornecidos a utilizadores futuros.

⚡ : Indica uma peça a ligar à terra.

⚠ Aviso:

Leia atentamente os rótulos afixados na unidade principal.

⊙ : Indica avisos e cuidados a ter em conta na utilização do refrigerante R32.

SIGNIFICADO DOS SÍMBOLOS EXIBIDOS NA UNIDADE

	AVISO (Risco de incêndio)	Este símbolo destina-se apenas ao refrigerante R32. O tipo de refrigerante está indicado na placa de identificação da unidade exterior. Se o tipo de refrigerante for o R32, esta unidade utiliza um refrigerante inflamável. Se ocorrer uma fuga de refrigerante e este entrar em contacto com fogo ou uma peça de aquecimento, irá criar um gás nocivo e existe o risco de incêndio.
		Leia atentamente o MANUAL DE OPERAÇÃO antes da utilização.
		É necessário que o pessoal de assistência técnica leia atentamente o MANUAL DE OPERAÇÃO e o MANUAL DE INSTALAÇÃO antes da utilização.
		Está disponível informação mais pormenorizada no MANUAL DE OPERAÇÃO, no MANUAL DE INSTALAÇÃO e em documentação semelhante.

⚠ Aviso:

- A unidade não deve ser instalada pelo utilizador. Peça a um revendedor ou a um técnico autorizado que instale e repare a unidade. Se a unidade for instalada de forma incorrecta, poderá ocorrer uma fuga de água, um choque eléctrico ou um incêndio.
- Para proceder à instalação e mudança de sítio, siga as instruções do Manual de Instalação e utilize ferramentas e componentes da tubagem especificamente concebidos para utilização com o refrigerante R32. Se forem utilizados componentes da tubagem que não tenham sido concebidos especificamente para o refrigerante R32 ou se a unidade não tiver sido instalada correctamente, a tubagem pode rebentar e provocar danos ou ferimentos. Para além disso, podem ainda ocorrer fugas de água, choques eléctricos ou incêndios.
- A unidade deve ser instalada de acordo com as instruções, para minimizar o risco de danos sofridos devido a tremores de terra ou ventos fortes. Uma unidade instalada incorrectamente pode cair e provocar danos ou ferimentos.
- A unidade deve ser instalada com segurança numa estrutura que suporte o seu peso. Se a unidade for montada numa estrutura instável, poderá cair e provocar danos ou ferimentos.
- Se o aparelho de ar condicionado for instalado num compartimento pequeno, deverão ser tiradas medidas por forma a evitar que a concentração do refrigerante exceda o limite de segurança, mesmo que ocorram fugas de refrigerante. Consulte um concessionário relativamente às medidas a adoptar no sentido de evitar que a concentração permitida seja excedida. Em caso de fuga de refrigerante e de ultrapassagem do limite de concentração, poderá haver potenciais perigos devido à falta de oxigénio no compartimento.
- Ventile o compartimento em caso de fuga de refrigerante durante o funcionamento. Se o refrigerante entrar em contacto com fogo, serão libertados gases tóxicos.
- Todos os trabalhos de electricidade devem ser levados a cabo por um electricista qualificado e em conformidade com a regulamentação local e as instruções fornecidas neste manual. As unidades devem ser alimentadas através de cabos de alimentação dedicados e deve utilizar-se a voltagem correcta e os disjuntores adequados. Caso sejam usados cabos de alimentação com capacidade insuficiente ou haja trabalhos de electricidade mal efectuados, tal poderá originar choques eléctricos ou incêndios.
- Utilize fósforo de cobre C1220, para tubagens de cobre ou de liga de cobre sem juntas, para ligar a tubagem do refrigerante. Se a tubagem não for ligada correctamente, a unidade não será devidamente ligada à terra, o que poderá provocar choques eléctricos.
- Este aparelho destina-se a ser utilizado por utilizadores experientes ou formados em fábricas, indústrias ligeiras ou explorações, ou para uso comercial por leigos.
- Utilize apenas os cabos eléctricos indicados. As ligações devem ser efectuadas de modo seguro e sem tensão nos terminais. Do mesmo modo, nunca uma os cabos para ligação (salvo especificado em contrário neste documento). A inobservância destas instruções pode resultar num sobreaquecimento ou num incêndio.
- No caso de danificação do cabo de alimentação, este deve ser substituído pelo fabricante, agente de assistência ou pessoas de qualificação semelhante para evitar um perigo.
- O dispositivo será instalado de acordo com os regulamentos nacionais de instalações eléctricas.
- O painel da tampa do bloco terminal da unidade externa deve estar bem fixo. Se o painel da tampa for montado incorrectamente e entrar poeira e humidade na unidade, podem ocorrer choques eléctricos ou incêndio.
- Ao instalar ou mudar o aparelho de ar condicionado de sítio, utilize apenas o refri-

- gerante especificado (R32) para carregar as linhas de refrigerante. Não o misture com qualquer outro refrigerante e assegure-se de que não fica ar nas linhas. Se o ar for misturado com o refrigerante, tal pode causar uma pressão alta anómala na linha do refrigerante, o que pode resultar numa explosão e outros perigos. O uso de qualquer refrigerante diferente do especificado para o sistema causará uma falha mecânica ou avaria do sistema ou falta da unidade. No pior dos casos, isto pode comprometer seriamente a segurança do produto.
- Utilize só acessórios autorizados pela Mitsubishi Electric e peça ao seu distribuidor ou a uma empresa autorizada que os instale. Se os acessórios não forem correctamente instalados, podem ocorrer fugas de água, choques eléctricos ou incêndios.
- Não modifique a unidade. Consulte um distribuidor caso seja necessário proceder a reparações. Se as modificações ou reparações não forem devidamente efectuadas, podem ocorrer fugas de água, choques eléctricos ou incêndios.
- O utilizador nunca deve tentar reparar a unidade ou transferi-la para outro local. Se a unidade for instalada incorrectamente, podem ocorrer fugas de água, choques eléctricos ou incêndios. Se o aparelho de ar condicionado tiver que ser reparado ou transferido para outro local, peça a um distribuidor ou electricista qualificado que efectue essa tarefa.
- Depois de a instalação estar concluída, verifique se não existem fugas de refrigerante. Se ocorrer uma fuga de refrigerante no compartimento e entrar em contacto com uma chama proveniente de outro dispositivo, serão libertados gases tóxicos.
- Não utilize meios para acelerar o processo de descongelamento ou para limpeza diferentes dos recomendados pelo fabricante.
- O aparelho deve ser armazenado numa divisão onde não existam fontes de ignição em funcionamento contínuo (por exemplo: chamas abertas, um aparelho a gás ou um aquecedor eléctrico em funcionamento).
- Não fure ou queime.
- Tenha em atenção que os refrigerantes podem ser inodoros.
- ⊙ As tubagens devem estar protegidas de danos físicos.
- A instalação das tubagens deve ser reduzida ao mínimo.
- Devem ser observados os regulamentos nacionais relativos ao gás.
- Mantenha sem obstruções as entradas de ventilação necessárias.
- ⊙ Não utilize uma liga de solda de baixa temperatura se for necessário efectuar a brasagem da tubagem do refrigerante.
- ⊙ Quando proceder à brasagem, ventile suficientemente a divisão.
- Certifique-se de que não existem materiais perigosos ou inflamáveis nas proximidades. Quando realizar a operação numa divisão fechada, numa divisão pequena ou num local semelhante, certifique-se de que não existem fugas de refrigerante antes de efectuar a operação. Se ocorrer uma fuga de refrigerante e este se acumular, poderá entrar em combustão ou poderão ser libertados gases tóxicos.
- ⊙ O aparelho deve ser guardado numa área bem ventilada cujas dimensões correspondam às da área especificada para o funcionamento.
- ⊙ Mantenha aparelhos de combustão a gás, aquecedores eléctricos e outras fontes de ignição (fogo) afastados do local de instalação, de reparação e de outras operações do aparelho de ar condicionado.
- Se o refrigerante entrar em contacto com uma chama, serão libertados gases tóxicos.
- ⊙ Não fume durante o trabalho e o transporte.

pt

1. Precauções de Segurança

1.1. Antes da instalação

⚠ Cuidado:

- Não utilize a unidade num ambiente invulgar. Se o aparelho de ar condicionado for instalado em áreas expostas a vapor, óleo volátil (incluindo óleo de máquinas) ou a gás sulfúrico, áreas expostas a uma grande concentração de sal, tal como à beira-mar, ou áreas onde a unidade possa ser coberta por neve, o rendimento poderá ser significativamente reduzido e as peças internas podem ser danificadas.
- Não instale a unidade onde possam ocorrer fugas, produção, fluxo ou acumulação de gases combustíveis. Em caso de acumulação de gás combustível em torno da unidade, podem ocorrer incêndios ou explosões.

- A unidade exterior produz condensação durante a operação de aquecimento. Assegure-se de que existe drenagem suficiente em torno da unidade exterior caso a referida condensação possa causar danos.
- Ao instalar a unidade num hospital ou gabinete de comunicações, não estranhe se se verificar ruído e interferência eléctrica. Inversores, electrodomésticos, equipamento médico de alta frequência e equipamento de comunicação por rádio podem provocar mau funcionamento ou avaria do aparelho de ar condicionado. O ar condicionado também pode afectar equipamento médico, perturbando a prestação dos serviços médicos, e equipamento de comunicações, comprometendo a qualidade da imagem de ecrãs.

1.2. Antes da instalação (transferência)

⚠ Cuidado:

- Ter muito cuidado durante o transporte ou instalação das unidades. São precisas duas ou mais pessoas para transportar a unidade, uma vez que esta pesa 20 kg ou mais. Não agarre nas bandas da embalagem. Usar luvas de protecção para retirar a unidade da respectiva embalagem e deslocá-la, pois pode ferir as mãos nas alhetas ou nas arestas de outros componentes.
- Assegure-se de que elimina com segurança os materiais de embalagem. Materiais de embalagem tais como pregos e outras peças em metal ou madeira podem provocar cortes ou outros ferimentos.

- A base e os acessórios da unidade exterior devem ser verificados periodicamente, a fim de detectar possíveis folgas, fendas ou outros danos. Se tais danos não forem corrigidos, a unidade poderá cair e provocar acidentes ou ferimentos.
- Não limpe o aparelho de ar condicionado com água. Poderá provocar choques eléctricos.
- Aperte bem todas as porcas afuniladas, utilizando uma chave dinamómetro. Se as porcas forem demasiadamente apertadas, podem quebrar passado algum tempo e originar uma fuga de refrigerante.

1.3. Antes do trabalho de electricidade

⚠ Cuidado:

- Assegure-se de que instala disjuntores. Se não forem instalados disjuntores, podem ocorrer choques eléctricos.
- Para as linhas de alta tensão, utilize cabos normalizados de capacidade suficiente. De outro modo, poderá ocorrer um curto-circuito, sobreaquecimento ou incêndio.
- Ao instalar as linhas de alimentação, não aplique tensão nos cabos. Se existir mau contacto nas ligações, os cabos podem rebentar ou partir, originando sobreaquecimento ou incêndio.

- Assegure-se de que liga a unidade à terra. Não ligue o fio terra a canos de gás ou de água, pára-raios ou linhas telefónicas de ligação à terra. Se a unidade não for devidamente ligada à terra, poderão ocorrer choques eléctricos.
- Utilize disjuntores (interruptor de falha de ligação à terra, interruptor de isolamento (fusível +B) e disjuntor com protecção moldada) com a capacidade especificada. Se a capacidade do disjuntor for superior à capacidade especificada, podem ocorrer avarias ou incêndios.

1.4. Antes de iniciar o ensaio

⚠ Cuidado:

- Ligue o interruptor principal de corrente mais de doze horas antes de dar início ao funcionamento. Se o funcionamento tiver início imediatamente depois de ligar o interruptor principal, tal poderá danificar seriamente as peças internas. Mantenha o interruptor ligado durante a estação operacional.
- Antes de o funcionamento ter início, verifique se todos os painéis e outras peças de protecção foram correctamente instalados. Peças rotativas, quentes ou de alta tensão podem causar ferimentos.
- Não toque em nenhum interruptor com as mão molhadas. Poderá provocar choques eléctricos.

- Quando o aparelho de ar condicionado estiver a funcionar, não toque nos tubos do refrigerante sem qualquer protecção nas mãos. Os tubos do refrigerante podem estar quentes ou frios, dependendo do estado do refrigerante em circulação. Se tocar nos tubos, poderá sofrer queimaduras.
- Após interromper o funcionamento, espere pelo menos cinco minutos antes de desligar o interruptor principal. De outro modo, poderá originar fugas de água ou avarias.

1.5. Utilização de aparelhos de ar condicionado refrigerantes R32

⚠ Cuidado:

- Utilize fósforo de cobre C1220, para tubagens de cobre ou de liga de cobre sem juntas, para ligar a tubagem do refrigerante. Certifique-se de que o interior da tubagem está limpo e não contém substâncias tóxicas, tais como compostos de enxofre, oxidantes, sujidade ou poeira. Utilize tubos com a espessura indicada. (Consulte a 4.1.) Considere as indicações que se seguem se reutilizar tubos que transportavam refrigerante R22.
 - Substitua as porcas afuniladas existentes e afunile as secções apertadas novamente.
 - Não utilize tubos finos. (Consulte a 4.1.)
- Mantenha os tubos a utilizar na instalação protegidos e ambas as extremidades tapadas até ao momento de serem soldadas. (Deixe as juntas curvas, etc., na embalagem.) Se entrar poeira, sujidade ou humidade nas linhas do refrigerante, poderá ocorrer deterioração do óleo ou avaria do compressor.
- Utilize óleo de éster, de éter ou de alquilbenzeno (pequenas quantidades) como óleo de refrigeração para revestir as secções afuniladas. Se se misturar óleo mineral com o óleo de refrigeração, pode ocorrer uma deterioração do óleo.
- As operações de manutenção devem ser realizadas apenas da forma recomendada pelo fabricante.

- Utilize unicamente refrigerante R32.
- Utilize as ferramentas que se seguem, especificamente concebidas para serem utilizadas com o refrigerante R32. As ferramentas que se seguem são necessárias para a utilização do refrigerante R32. Contacte o seu distribuidor caso tenha alguma questão a colocar.

Ferramentas (para R32)	
Colector do manómetro	Instrumento de afunilamento
Tubo flexível de carga	Manómetro de ajuste de tamanho
Detector de fugas de gás	Adaptador da bomba de vácuo
Chave dinamómetro	Escala electrónica de abastecimento de refrigerante

- Assegure-se de que utiliza as ferramentas correctas. Se entrar poeira, sujidade ou humidade nas linhas do refrigerante, poderá ocorrer deterioração do óleo de refrigeração.

2. Localização da instalação

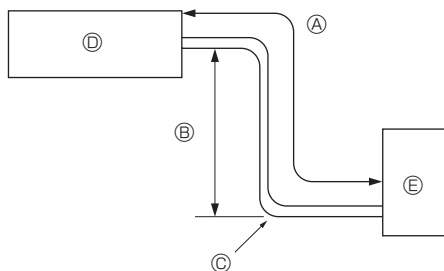


Fig. 2-1

2.1. Tubo de refrigerante (Fig. 2-1)

- ▶ Verifique se a diferença entre as alturas das unidades interior e exterior, o comprimento da tubagem de refrigeração e o número de curvas na tubagem se encontram dentro dos limites abaixo indicados.

Modelos	Ⓐ Comprimento da tubagem (um só sentido)	Ⓑ Diferença de altura	Ⓒ Número de curvas (um só sentido)
M100	Máx. 55 m	Máx. 30 m	Máx. 15
M125/140	Máx. 65 m	Máx. 30 m	Máx. 15

- Os limites de diferença de altura são impostos, independentemente de qual das unidades, interior ou exterior, estiver colocada mais alto.

- Ⓓ Unidade interior
- Ⓔ Unidade exterior

2. Localização da instalação

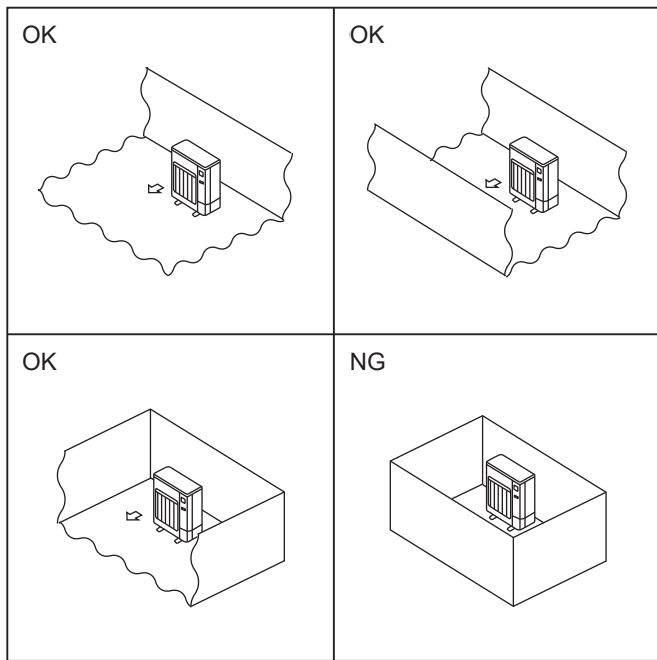


Fig. 2-2

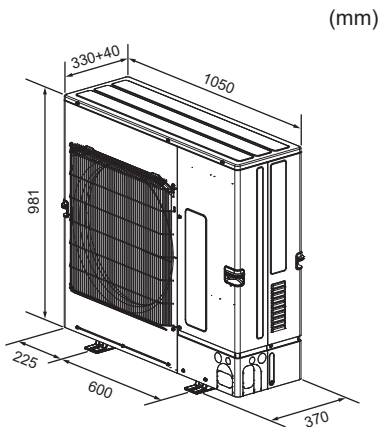


Fig. 2-3

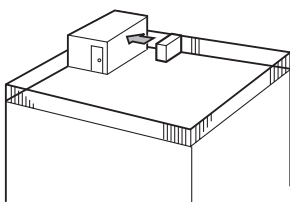


Fig. 2-4

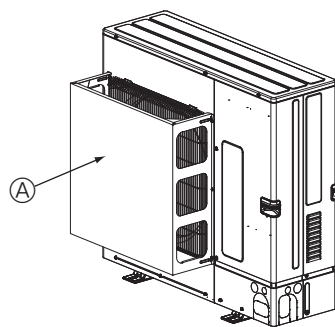


Fig. 2-5

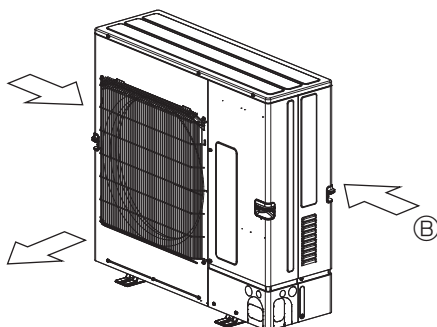


Fig. 2-6

2.2. Selecção do local de instalação da unidade exterior

⊙ O R32 é mais pesado do que o ar - assim como qualquer outro refrigerante - pelo que tende a acumular-se na base (nas proximidades do piso). Se o R32 se acumular à volta da base e a divisão for pequena, pode atingir um nível de concentração inflamável. Para evitar ignição, é necessário manter um ambiente de trabalho seguro garantindo uma ventilação adequada. Se ocorrer uma fuga de refrigerante numa divisão ou área onde a ventilação não é suficiente, evite o uso de chamas até que seja possível melhorar as condições do ambiente de trabalho garantindo uma ventilação adequada.

- Evite locais sujeitos a luz solar directa ou outras fontes de calor.
 - Selecione um local onde o ruído produzido pela unidade não incomode os vizinhos.
 - Selecione um local que permita um acesso fácil dos cabos e tubos à fonte de alimentação e unidade interior.
 - Evite locais onde possam ocorrer fugas, produção, fluxo ou acumulação de gases combustíveis.
 - Lembre-se que poderá ocorrer gotejamento de água durante o funcionamento.
 - Selecione um local capaz de sustentar o peso e a vibração da unidade.
 - Evite locais onde a unidade possa ser coberta por neve. Em áreas em que costume nevar muito, devem tomar-se precauções especiais, tais como elevar o local de instalação ou instalar uma tampa no orifício de admissão de ar, no sentido de evitar que a neve impeça a admissão de ar ou caia directamente sobre o orifício de admissão de ar. Este facto poderá reduzir o fluxo de ar, causando uma avaria.
 - Evite locais expostos a óleo, vapor ou gás sulfúrico.
 - Utilize as pegas de transporte da unidade exterior para transportar a unidade. Se a unidade for transportada pegando por baixo, as mãos ou os dedos poderão ser trilhados.
 - A ligação da tubagem do refrigerante deve ser acessível para efeitos de manutenção.
- ⊙ Instale as unidades exteriores num local onde, pelo menos, uma das quatro laterais seja aberta e cujo espaço seja suficientemente amplo e não tenha depressões. (Fig. 2-2)

2.3. Dimensões globais (Unidade exterior) (Fig. 2-3)

2.4. Ventilação e espaço de manutenção

2.4.1. Instalação em locais sujeitos a ventos

Ao instalar a unidade exterior num telhado ou noutro local desprotegido do vento, situe a saída de ar da unidade de modo a que não esteja exposta directamente a ventos fortes. A entrada de vento na saída de ar poderá impedir o normal fluxo de ar e provocar avarias. Apresentam-se abaixo três exemplos de precauções que se podem tomar contra os ventos fortes.

- 1 Direcione a saída de ar para a parede mais próxima a uma distância de cerca de 500 mm. (Fig. 2-4)
- 2 Instale uma guia de ar opcional se a unidade estiver instalada num local sujeito a fortes ventos, que podem entrar directamente na saída de ar. (Fig. 2-5)
 - A Guia de ar
- 3 Posicione a unidade de forma a que o ar seja libertado perpendicularmente à direcção do vento, se possível. (Fig. 2-6)
 - B Direcção do vento

2.4.2. Quando instalar uma só unidade exterior (Consulte a última página)

As dimensões mínimas são as seguintes, excepto para máx. (dimensões máximas), as quais também estão indicadas.

Para cada caso consulte as figuras.

- 1 Obstáculos apenas na parte de trás (Fig. 2-7)
- 2 Obstáculos apenas na parte de trás e por cima (Fig. 2-8)
- 3 Obstáculos apenas na parte de trás e nos lados (Fig. 2-9)
- 4 Obstáculos apenas na parte da frente (Fig. 2-10)
 - * Quando se utiliza uma guia de saída de ar opcional, a folga deve ser de 500 mm ou mais.
- 5 Obstáculos apenas na parte da frente e de trás (Fig. 2-11)
 - * Quando se utiliza uma guia de saída de ar opcional, a folga deve ser de 500 mm ou mais.
- 6 Obstáculos apenas na parte de trás, nos lados e por cima (Fig. 2-12)
 - * Não utilize as guias de saída opcionais para o fluxo de ar ascendente.

2.4.3. Quando instalar várias unidades exteriores (Consulte a última página)

Entre as unidades, deixe um espaço igual ou superior a 50 mm para os modelos M100-140.

- 1 Obstáculos apenas na parte de trás (Fig. 2-13)
- 2 Obstáculos apenas na parte de trás e por cima (Fig. 2-14)
 - * Não devem ser instaladas mais de três unidades lado a lado. Para além disso, deve deixar distância entre elas, tal como se demonstra.
 - * Não utilize as guias de saída opcionais para o fluxo de ar ascendente.
- 3 Obstáculos apenas na parte da frente (Fig. 2-15)
 - * Quando se utiliza uma guia de saída de ar opcional, a folga para os modelos M100-140 deve ser de 1000 mm ou mais.
- 4 Obstáculos apenas na parte da frente e de trás (Fig. 2-16)
 - * Quando se utiliza uma guia de saída de ar opcional, a folga para os modelos M100-140 deve ser de 1000 mm ou mais.
- 5 Disposição de uma unidade em paralelo (Fig. 2-17)
 - * Quando se utiliza uma guia de saída de ar opcional instalada para fluxo de ar ascendente, a folga é de 1000 mm ou mais.
- 6 Disposição de várias unidades em paralelo (Fig. 2-18)
 - * Quando se utiliza uma guia de saída de ar opcional instalada para fluxo de ar ascendente, a folga é de 1500 mm ou mais.
- 7 Disposição de unidades sobrepostas (Fig. 2-19)
 - * Podem ser sobrepostas até duas unidades.
 - * Não devem ser instaladas mais de duas unidades sobrepostas lado a lado. Para além disso, deve deixar distância entre elas, tal como se demonstra.

2. Localização da instalação

2.5. Área mínima de instalação

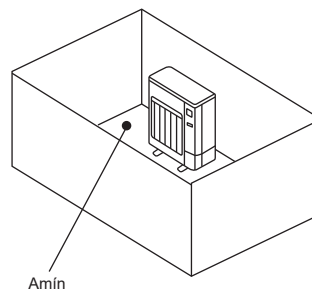
Se tiver de instalar uma unidade num espaço onde todas as quatro laterais ficam bloqueadas ou no qual existem depressões, confirme que se verifica uma das situações (A, B ou C) seguintes.

Nota: Estas contramedidas destinam-se a manter a segurança e não constituem nenhuma garantia de desempenho.

A) Assegure um espaço de instalação suficiente (Amín - área mínima de instalação).

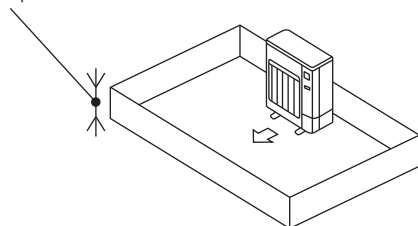
Instale num espaço com uma área de instalação de Amín ou mais, equivalente à quantidade de refrigerante M (refrigerante abastecido de fábrica + refrigerante adicionado localmente).

M [kg]	Amín [m ²]
1,0	12
1,5	17
2,0	23
2,5	28
3,0	34
3,5	39
4,0	45
4,5	50
5,0	56
5,5	62
6,0	67
6,5	73
7,0	78
7,5	84

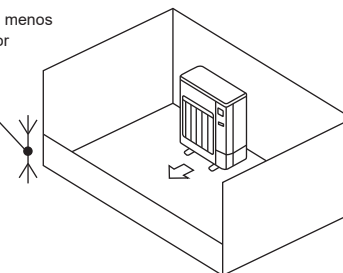


B) Instale num espaço com uma profundidade de $\leq 0,125$ [m].

Altura de 0,125 [m] ou menos a partir da parte inferior



Altura de 0,125 [m] ou menos a partir da parte inferior

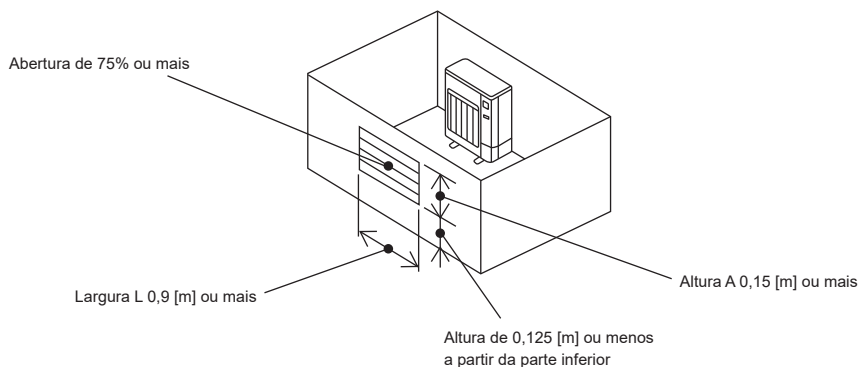


C) Crie uma área aberta para ventilação adequada.

Certifique-se de que a largura da área aberta é de 0,9 [m] ou mais e que a altura da área aberta é de 0,15 [m] ou mais.

No entanto, a altura entre a parte inferior do espaço de instalação e a extremidade inferior da área aberta deve ser de 0,125 [m] ou menos.

A área aberta deve ter uma abertura de 75% ou mais.



2. Localização da instalação

■ Unidades interiores

Instale numa divisão com uma área de piso de $A_{mín}$ ou mais, equivalente à quantidade de refrigerante M (refrigerante abastecido de fábrica + refrigerante adicionado localmente).

* Para saber qual a quantidade de refrigerante abastecida de fábrica, consulte a placa de especificações ou o manual de instalação.

Para saber qual a quantidade a ser adicionada localmente, consulte o manual de instalação.

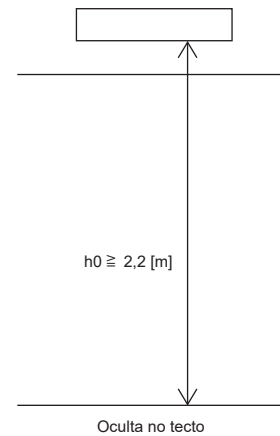
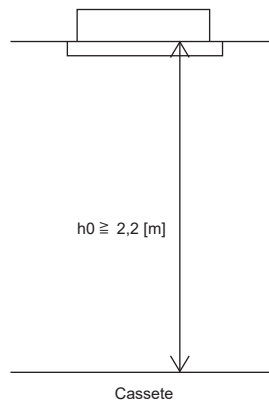
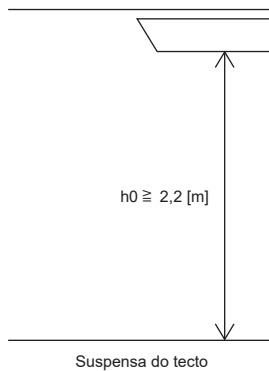
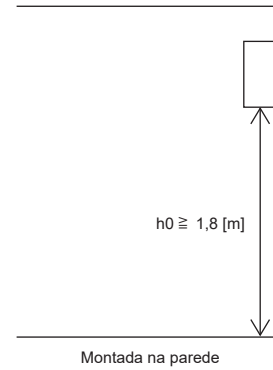
Instale a unidade interior para que a altura entre o piso e a parte inferior da unidade interior seja h_0 ;

se montada na parede: 1,8 m ou mais;

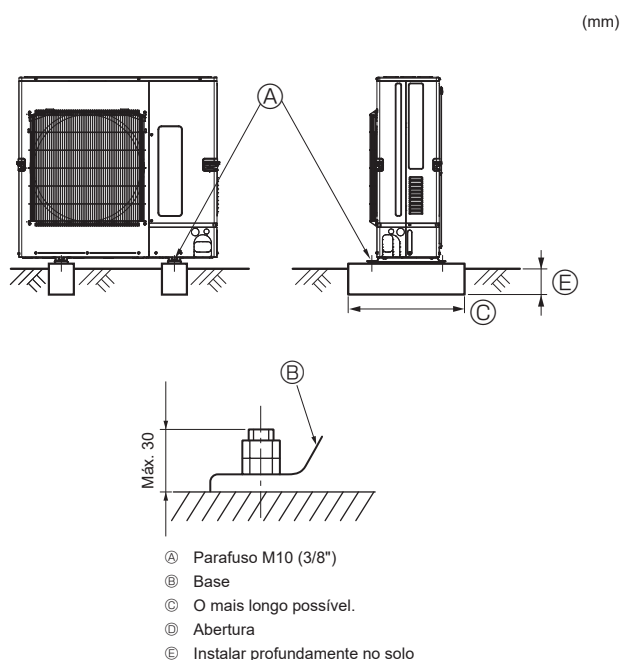
se suspensa do tecto, cassete e oculta no tecto: 2,2 m ou mais.

* Existem restrições na altura de instalação para cada modelo, por isso leia o manual de instalação de cada unidade em particular.

M [kg]	$A_{mín}$ [m ²]
1,0	4
1,5	6
2,0	8
2,5	10
3,0	12
3,5	14
4,0	16
4,5	20
5,0	24
5,5	29
6,0	35
6,5	41
7,0	47
7,5	54



3. Instalação da unidade exterior



(mm)

- Certifique-se de instalar a unidade numa superfície firme e nivelada para evitar estrépidos durante a operação. (Fig. 3-1)

<Especificações de fundação>

Parafuso da fundação	M10 (3/8")
Espessura do betão	120 mm
Comprimento do parafuso	70 mm
Capacidade de carga	320 kg

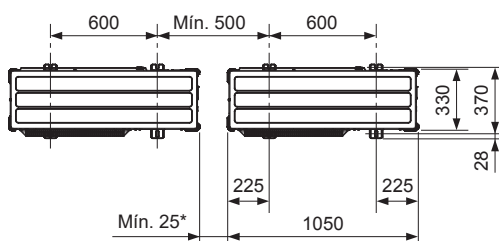
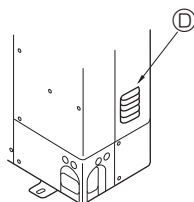
- Certifique-se de que o comprimento do parafuso da fundação esteja dentro de 30 mm da superfície inferior da base.
- Fixe a base da unidade firmemente com quatro parafusos de fundação M10 em locais resistentes.

Instalação da unidade exterior

- Não tape a abertura. Se a abertura for tapada, o funcionamento será impedido, o que poderá provocar uma avaria.
- Para além da base da unidade, utilize os furos de instalação na parte posterior da unidade para prender fios, etc., se for necessário para instalar a unidade. Utilize parafusos roscados ($\varnothing 5 \times 15$ mm ou menos) e instale no local.

⚠ Aviso:

- A unidade deve ser instalada com segurança numa estrutura que suporte o seu peso. Se a unidade for montada numa estrutura instável, poderá cair e provocar danos ou ferimentos.
- A unidade deve ser instalada de acordo com as instruções, para minimizar o risco de danos sofridos devido a tremores de terra ou ventos fortes. Uma unidade instalada incorrectamente pode cair e provocar danos ou ferimentos.



* Quando se instala uma unidade exterior individual, a folga deve ser de 15 mm ou mais.

Fig. 3-1

4. Instalação da tubagem do refrigerante

4.1. Precauções para dispositivos que utilizam o refrigerante R32

- Consulte a 1.5., que contém outras precauções relativamente à utilização de aparelhos de ar condicionado com o refrigerante R32.
- Utilize óleo de éster, de éter ou de alquilbenzeno (pequenas quantidades) como óleo de refrigeração para revestir as secções afuniladas.
- Utilize fósforo de cobre C1220, para tubagens de cobre ou de liga de cobre sem juntas, para ligar a tubagem do refrigerante. Utilize tubos de refrigerante com a espessura especificada na tabela. Certifique-se de que o interior da tubagem está limpo e não contém substâncias tóxicas, tais como compostos de enxofre, oxidantes, sujidade ou poeira. Aplicar sempre soldadura inoxidável para soldar os tubos, pois de outra forma o compressor sofrerá danos.

⚠ Aviso:

Ao instalar ou mudar o aparelho de ar condicionado de sítio, utilize apenas o refrigerante especificado (R32) para carregar as linhas de refrigerante. Não o misture com qualquer outro refrigerante e assegure-se de que não fica ar nas linhas.

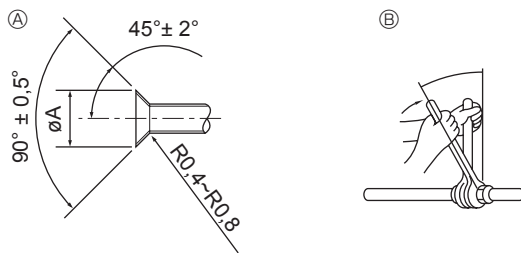
Se o ar for misturado com o refrigerante, tal pode causar uma pressão alta anómala na linha do refrigerante, o que pode resultar numa explosão e outros perigos.

O uso de qualquer refrigerante diferente do especificado para o sistema causará uma falha mecânica ou avaria do sistema ou falta da unidade. No pior dos casos, isto pode comprometer seriamente a segurança do produto.

Tamanho do tubo (mm)	$\varnothing 6,35$	$\varnothing 9,52$	$\varnothing 12,7$	$\varnothing 15,88$	$\varnothing 19,05$	$\varnothing 22,2$	$\varnothing 25,4$	$\varnothing 28,58$
Espessura (mm)	0,8	0,8	0,8	1,0	1,0	1,0	1,0	1,0

- Não utilize tubos com uma espessura menor do que a indicada.
- Utilize tubos 1/2 H ou H se o diâmetro for de 19,05 mm ou maior.
- Certifique-se de que existe ventilação adequada para evitar ignição. Além disso, para evitar a ocorrência de incêndios, certifique-se de que não existem objectos perigosos ou inflamáveis na área circundante.

4. Instalação da tubagem do refrigerante



Ⓐ Dimensões do corte de afunilamento
Ⓑ Binário de aperto da porca afunilada

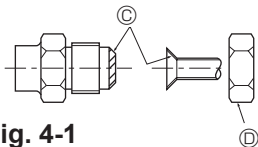


Fig. 4-1

Ⓐ (Fig. 4-1)

Tubo de cobre O.D. (mm)	Dimensões de afunilamento ϕA dimensões (mm)
$\phi 6,35$	8,7 - 9,1
$\phi 9,52$	12,8 - 13,2
$\phi 12,7$	16,2 - 16,6
$\phi 15,88$	19,3 - 19,7
$\phi 19,05$	23,6 - 24,0

Ⓑ (Fig. 4-1)

Tubo de cobre O.D. (mm)	Porca afunilada O.D. (mm)	Binário de Aperto (N·m)
$\phi 6,35$	17	14 - 18
$\phi 6,35$	22	34 - 42
$\phi 9,52$	22	34 - 42
$\phi 12,7$	26	49 - 61
$\phi 12,7$	29	68 - 82
$\phi 15,88$	29	68 - 82
$\phi 15,88$	36	100 - 120
$\phi 19,05$	36	100 - 120

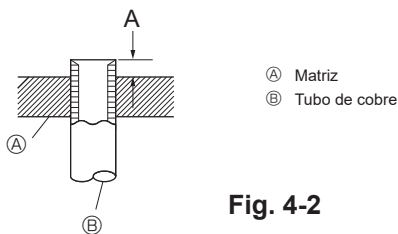
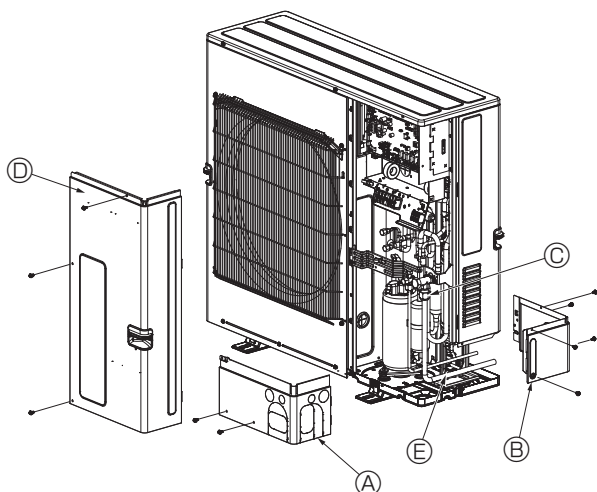


Fig. 4-2



Ⓐ Tampa da tubagem dianteira
Ⓑ Tampa da tubagem traseira
Ⓒ Válvula de paragem
Ⓓ Painel de serviço
Ⓔ Raio da curvatura : 100 mm - 150 mm

Fig. 4-3

4.2. Tubos de ligação (Fig. 4-1)

- Se forem utilizados tubos de cobre comercialmente disponíveis, limpe os tubos de líquido e de gás com materiais de isolamento comercialmente disponíveis (resistentes ao calor de 100°C ou mais, com uma espessura de 12 mm ou mais).
- As peças internas do tubo de drenagem devem ser limpas com materiais de isolamento de espuma de polietileno (gravidade específica de 0,03 de espessura de 9 mm ou mais).
- Aplique uma fina camada de óleo refrigerante ao tubo e à superfície de costura da junta antes de apertar a porca do tubo. Ⓐ
- Aperte os tubos de ligação com duas chaves. Ⓑ
- Depois de feitas as ligações, utilize um detector de fugas ou água de sabão para se certificar de que não há fugas de gás.
- Aplique óleo de máquina refrigerante em toda a superfície de encaixe de afunilamento. Ⓒ
- Utilize as porcas afuniladas para o tamanho de tubo que se segue. Ⓓ

Lado do gás	Tamanho do tubo (mm)	$\phi 15,88$
Lado do líquido	Tamanho do tubo (mm)	$\phi 9,52$

- Ao dobrar os tubos, tenha cuidado para não os partir. Níveis de curvatura de 100 mm a 150 mm são suficientes.
- Assegure-se de que os tubos não entram em contacto com o compressor. Tal pode provocar ruído ou vibrações.

- Os tubos devem ser ligados começando pela unidade interior. As porcas de afunilamento devem ser apertadas utilizando uma chave dinamómetro.
- Afunile os tubos de líquido e os tubos de gás e aplique uma camada fina de óleo de refrigeração (aplicado no local).
- Quando utilizar um isolante de tubos normal, consulte a Tabela 1 relativamente ao afunilamento de tubos de refrigerante R32. O manómetro de ajuste de tamanho pode ser utilizado para confirmar as medidas A.

Tabela 1 (Fig. 4-2)

Tubo de cobre O.D. (mm)	A (mm)	
	Ferramenta de afunilamento para R32	Ferramenta de afunilamento para R22-R407C
	Tipo de alavanca	
$\phi 6,35$ (1/4")	0 - 0,5	1,0 - 1,5
$\phi 9,52$ (3/8")	0 - 0,5	1,0 - 1,5
$\phi 12,7$ (1/2")	0 - 0,5	1,0 - 1,5
$\phi 15,88$ (5/8")	0 - 0,5	1,0 - 1,5
$\phi 19,05$ (3/4")	0 - 0,5	1,0 - 1,5

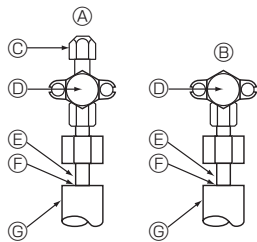
4.3. Tubagem de refrigerante (Fig. 4-3)

Retire o painel de manutenção Ⓓ (3 parafusos), o painel da tampa dianteira Ⓐ (2 parafusos) e o painel da tampa traseira Ⓑ (5 parafusos).

- Execute as ligações da tubagem de refrigerante para a unidade interior/exterior quando a válvula de paragem da unidade exterior estiver completamente fechada.
- Purgue o ar da unidade interior e da tubagem de ligação.
- Após ter efectuado a ligação dos tubos de refrigerante, verifique se não existem fugas de gás nos tubos ligados e na unidade interior. (Consulte 4.4. Teste de vedação ao ar do tubo de refrigerante.)
- Na porta de serviço das válvulas de retenção, utiliza-se uma bomba de vácuo de elevado desempenho para manter o vácuo durante o tempo necessário (pelo menos uma hora depois de atingir -101 kPa (5 Torr)), de forma a efectuar a secagem por vácuo do interior da tubagem. Verifique sempre o nível de vácuo no manómetro do colector. Se se verificar a existência de humidade na tubagem, o nível de vácuo por vezes não é atingido na aplicação de vácuo de curta duração. Após a secagem por vácuo, abra completamente as válvulas de retenção (de líquido e de gás) para a unidade exterior. Desta forma, os circuitos de refrigeração internos e externos ficarão completamente ligados.
 - Se a secagem por vácuo não for realizada correctamente, ar e água permanecerão nos circuitos refrigerantes, podendo provocar uma subida anormal dos níveis de alta pressão e uma descida anormal dos níveis de baixa pressão, bem como a deterioração do óleo da máquina de congelação devido à humidade, etc.
 - Se as válvulas de retenção forem deixadas fechadas e a unidade for ligada, o compressor e as válvulas de controlo serão danificados.
 - Utilize um detector de fugas ou água com uma solução de sabão para verificar se existem fugas de gás nas secções de ligação dos tubos da unidade exterior.
 - Não utilize o refrigerante da unidade para purgar o ar das linhas de refrigerante.
 - Depois de a operação da válvula estar concluída, aperte as tampas da válvula até à pressão adequada: 20 a 25 N·m (200 a 250 kgf·cm). Se as tampas não forem substituídas e apertadas, podem ocorrer fugas de refrigerante. Para além disso, não danifique o interior das tampas das válvulas, pois funcionam como vedante para evitar fugas de refrigerante.
- Utilize vedante para vedar as extremidades do isolamento térmico em torno das secções de ligação dos tubos, para evitar a entrada de água no isolamento térmico.

pt

4. Instalação da tubagem do refrigerante



- Ⓐ Válvula de paragem <Lado do líquido>
- Ⓑ Válvula de paragem <Lado do gás>
- Ⓒ Porta de manutenção
- Ⓓ Secção Abrir/Fechar
- Ⓔ Tubo local
- Ⓕ Vedado, tal como para o lado do gás
- Ⓖ Cobertura do tubo

Fig. 4-4

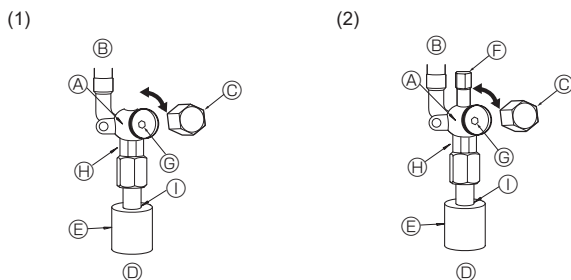


Fig. 4-5

Fig. 4-6

- Ⓐ Válvula
- Ⓑ Lado da unidade
- Ⓒ Cápsula
- Ⓓ Lado do tubo local
- Ⓔ Tampa do tubo
- Ⓕ Porta de manutenção
- Ⓖ Furo da chave
- Ⓖ Secção de chave dupla (Não aplique uma chave dupla noutra secção que não esta. Se o fizer, pode provocar fugas de líquido refrigerante)
- Ⓖ Secção de vedação (Vede a extremidade do material termo-isolante na secção de ligação do tubo, utilizando para o efeito qualquer material vedante, de forma a evitar a infiltração de água no material termoisolante.)

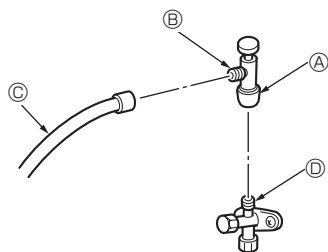


Fig. 4-7

- * A imagem à esquerda é apenas um exemplo. A forma da válvula de retenção, a posição da porta de serviço, etc., pode variar de acordo com o modelo.
- * Rodar apenas a secção A. (Não apertar mais as secções A e B em conjunto.)

- Ⓒ Tubo flexível de carga
- Ⓓ Porta de serviço

4.4. Teste de vedação ao ar do tubo de refrigerante (Fig. 4-4)

(1) Ligue as ferramentas de teste.

- Certifique-se de que as válvulas de retenção Ⓐ Ⓑ estão fechadas e não as abra.
- Adicione pressão às linhas de refrigerante através da porta de serviço Ⓒ da válvula de retenção do líquido Ⓐ.

(2) Não adicione pressão na quantidade especificada de uma só vez; adicione pressão aos poucos.

- ① Pressurize até 0,5 MPa (5 kgf/cm²G), aguarde cinco minutos e assegure-se de que a pressão não diminui.
- ② Pressurize até 1,5 MPa (15 kgf/cm²G), aguarde cinco minutos e assegure-se de que a pressão não diminui.
- ③ Pressurize até 4,15 MPa (41,5 kgf/cm²G) e meça a temperatura ambiente e a temperatura do refrigerante.

(3) Se a pressão especificada se mantiver durante cerca de um dia e não diminuir, os tubos terão passado no teste e não existem fugas.

- Se a temperatura ambiente se alterar em 1°C, a pressão irá alterar-se em cerca de 0,01 MPa (0,1 kgf/cm²G). Efectue as correcções necessárias.

(4) Se a pressão diminuir nos passos (2) ou (3), existe uma fuga de gás. Procure descobrir a causa da fuga de gás.

4.5. Método de abertura da válvula de paragem

O método de abertura da válvula de retenção varia consoante o modelo de unidade exterior. Utilize o método adequado para abrir as válvulas de retenção.

(1) Lado do gás (Fig. 4-5)

- ① Retire a tampa e rode a válvula para a esquerda o máximo que puder com uma chave sextavada de 5 mm. Pare de rodar quando esta alcançar o batente. (ø15,88: Aproximadamente 13 rotações)
- ② Certifique-se de que a válvula de paragem esteja completamente aberta e gire a cápsula de volta à sua posição original.

(2) Lado do líquido (Fig. 4-6)

- ① Retire a tampa e rode a válvula para a esquerda o máximo que puder com uma chave sextavada de 4 mm. Pare de rodar quando esta alcançar o batente. (ø9,52: Aproximadamente 10 rotações)
- ② Certifique-se de que a válvula de paragem esteja completamente aberta, empurre a alavanca e gire a cápsula de volta à sua posição original.

Os tubos de refrigerante são revestidos de forma segura

- Os tubos podem ser revestidos de forma segura até um diâmetro de ø90 antes ou depois de efectuar a ligação dos tubos. Corte o recorte na tampa do tubo, seguindo a ranhura, e revista os tubos.

Intervalo de entrada do tubo

- Utilize pasta ou vedante para vedar a entrada do tubo em torno dos tubos, para que não existam intervalos.

(Se os intervalos não forem eliminados, pode verificar-se a emissão de ruído ou a entrada de poeira na unidade, provocando avarias.)

Precauções de utilização da válvula de carga (Fig. 4-7)

Quando instalar a porta de serviço não a aperte demasiado, pois se apertar demasiado, o núcleo da válvula pode ficar deformado e soltar-se, provocando uma fuga de gás. Depois de posicionar a secção Ⓑ na direcção pretendida, rode apenas a secção Ⓐ e aperte-a.

Depois de apertar a secção Ⓐ não aperte mais as secções Ⓐ e Ⓑ em conjunto.

⚠ **Aviso:**

Quando instalar a unidade, ligue os tubos de refrigerante firmemente antes de ligar o compressor.

4.6. Adição de refrigerante

- Se o comprimento do tubo não exceder os 30 m, não é necessário um abastecimento adicional para esta unidade.

- Se o comprimento do tubo exceder os 30 m, adicione refrigerante R32 à unidade de acordo com os comprimentos do tubo permitidos na tabela abaixo.

* Quando a unidade estiver desligada, abasteça-a com o refrigerante adicional através da válvula de retenção de líquido depois das extensões do tubo e unidade interior terem sido aspiradas.

Quando a unidade estiver a funcionar, adicione refrigerante na válvula de retenção de gás utilizando um carregador de segurança. Não adicione líquido refrigerante directamente na válvula de retenção.

* Após abastecer a unidade com refrigerante, anote a quantidade de refrigerante adicionada na etiqueta da manutenção (colada à unidade).

Consulte a secção "1.5. Utilização de aparelhos de ar condicionado refrigerantes R32" para obter mais informações.

- Tenha cuidado quando instalar várias unidades. A ligação a uma unidade interior incorrecta pode provocar uma pressão involuntariamente elevada e ter um efeito negativo no rendimento da unidade.

Ⓞ Reabastecimento de manutenção do R32: Antes de reabastecer o equipamento com R32 e para garantir que não existe risco de explosão devido a faíscas eléctricas, é necessário garantir que o aparelho está 100% desligado da corrente eléctrica.

Modelo	Comprimento de tubo permitido	Diferença vertical permitida	Quantidade de refrigerante adicional					Ⓞ Quantidade máxima de refrigerante
			31 - 40 m	41 - 50 m	51 - 55 m	56 - 60 m	61 - 65 m	
M100	- 55 m	- 30 m	0,4 kg	0,8 kg	1,0 kg	—	—	4,1 kg
M125, 140	- 65 m	- 30 m	0,4 kg	0,8 kg	1,0 kg	1,2 kg	1,4 kg	5,0 kg

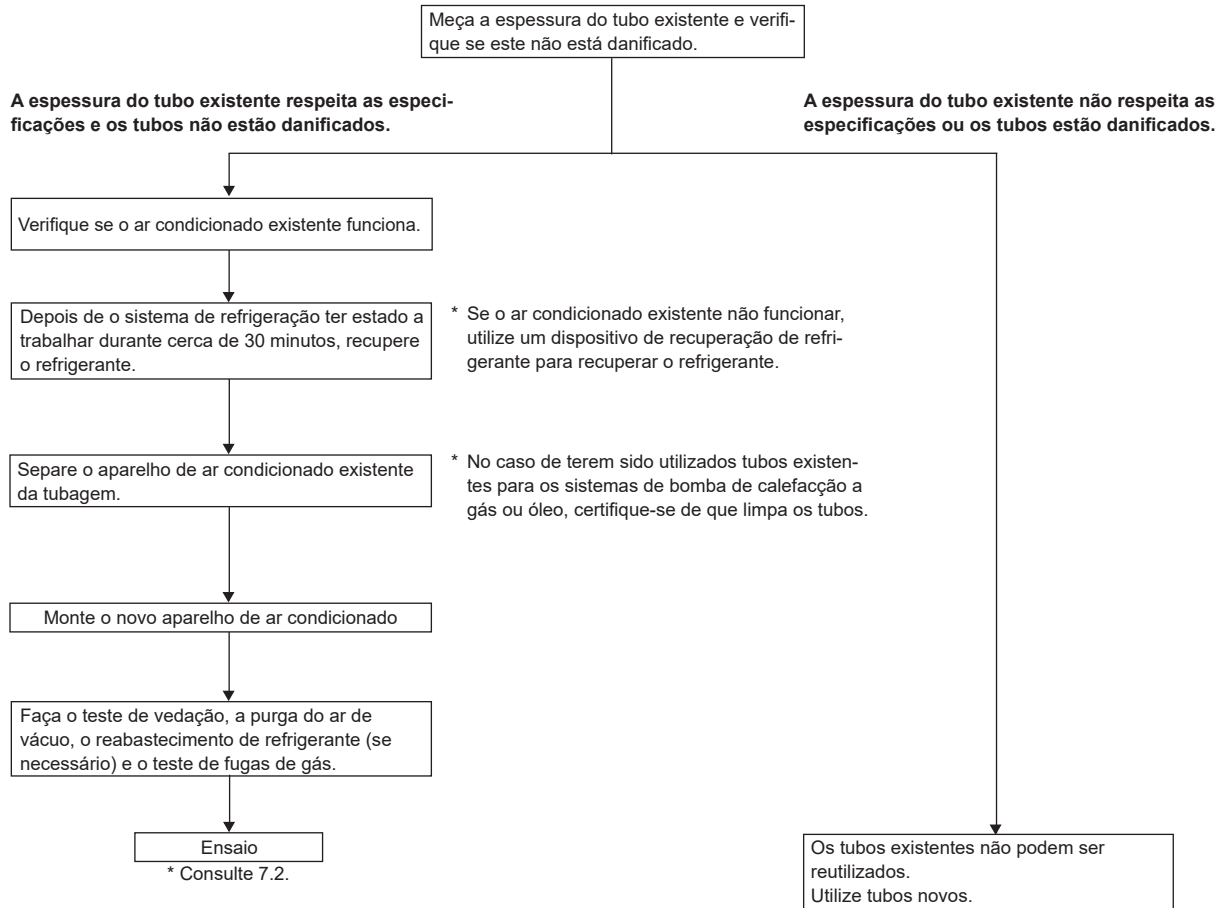
4. Instalação da tubagem do refrigerante

Reabastecimento da carga de refrigerante (kg) para menos de 30 m (Comprimento da tubagem sem abastecimento)

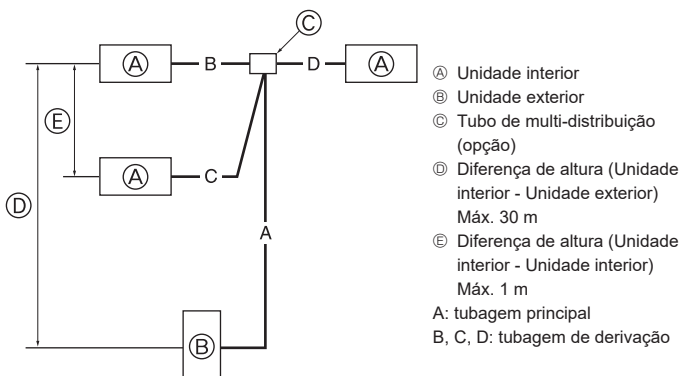
Unidade exterior	5 m e menos	6 - 10 m	11 - 15 m	16 - 20 m	21 - 25 m	26 - 30 m
M100	2,0	2,2	2,4	2,6	2,8	3,1
M125, 140	2,6	2,8	3,0	3,2	3,4	3,6

4.7. Precauções na reutilização de tubos de refrigerante R22 existentes

- Consulte o fluxograma apresentado abaixo para determinar se os tubos existentes podem ser utilizados e se é necessário utilizar um secador de filtros.
- Se o diâmetro da tubagem existente for diferente do diâmetro especificado, consulte material com dados técnicos para confirmar se os tubos podem ser utilizados.



<Limites da instalação da tubagem do refrigerante>



M100 : $A+B+C (+D) \leq 55$ m
 M125, 140 : $A+B+C (+D) \leq 65$ m
 * "D" é para tripla.

Fig. 4-8

4.8. Para a combinação dupla/tripla (Fig. 4-8)

- Quando esta unidade for utilizada com unidade de SISTEMA TIPO SPLIT, instale a tubagem do refrigerante seguindo as restrições indicadas na figura à esquerda. Além disso, se as restrições forem excedidas ou se forem feitas combinações de unidades interiores e exteriores, consulte as instruções de instalação da unidade interior para obter detalhes sobre a instalação.

Unidade exterior	Total permissível comprimento da tubagem A+B+C+D	B ou C ou D	Sem abastecimento comprimento da tubagem A+B+C+D
M100	55 m e menos	20 m e menos	30 m e menos
M125, 140	65 m e menos	20 m e menos	30 m e menos

Unidade exterior	B-C ou B-D ou C-D	N.º de curvas
M100-140	8 m e menos	Até 15

5. Trabalho de tubagem de drenagem

Ligação do tubo de drenagem da unidade exterior

Se for necessário drenar a tubagem, utilize o bocal de drenagem ou o recipiente de drenagem (opção).

	M100-140
Bocal de drenagem	PAC-SG61DS-E
Recipiente de drenagem	PAC-SH97DP-E

6. Trabalho de electricidade

6.1. Unidade exterior (Fig. 6-1, Fig. 6-2)

- ① Remova o painel de manutenção.
- ② Ligue os cabos consultando a Fig. 6-1 e a Fig. 6-2.

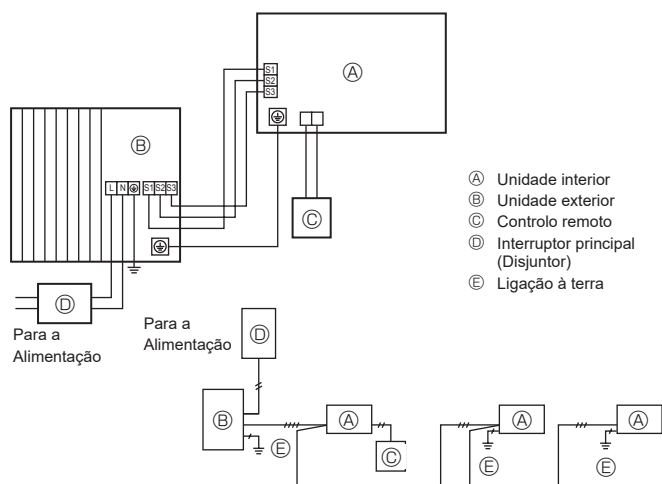


Fig. 6-1

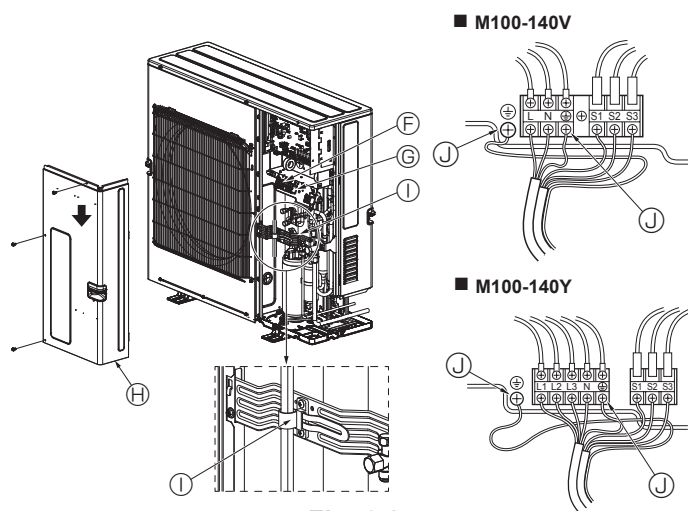


Fig. 6-2

- (F) Bloco de terminais
 (G) Bloco de terminais de ligação interior/exterior (S1, S2, S3)
 (H) Painel de manutenção
 (I) Grampo
 * Prenda os cabos para que não fiquem em contacto com o centro do painel de manutenção nem com a válvula do gás.
 (J) Borne de terra

Nota:

Se a chapa de protecção da caixa eléctrica for retirada durante os serviços de manutenção, não se esqueça de a reinstalar.

⚠ Cuidado:

Certifique-se de que instala a linha N. Sem a linha N, a unidade poderá ficar danificada.

6. Trabalho de electricidade

6.2. Cablagem eléctrica

Modelo da unidade exterior		M100, 125V	M140V	M100, 125, 140Y
Unidade exterior corrente		~N (Monofásica), 50 Hz, 230 V	~N (Monofásica), 50 Hz, 230 V	3N~ (3 fases 4 fios), 50 Hz, 400 V
Capacidade de entrada da unidade exterior Interruptor principal (Disjuntor) *1		32 A	40 A	16 A
Cablagem Fio n.º x secção (mm²)	Unidade exterior corrente	3 x Mín. 6	3 x Mín. 6	5 x Mín. 1,5
	Unidade interior/unidade exterior	*2 3 x 1,5 (Polar)	3 x 1,5 (Polar)	3 x 1,5 (Polar)
	Terra da unidade interior-unidade exterior	*2 1 x Mín. 1,5	1 x Mín. 1,5	1 x Mín. 1,5
Potência nominal do circuito	Ligação do controlador remoto/unidade interior	*3 2 x 0,3 (Não polar)	2 x 0,3 (Não polar)	2 x 0,3 (Não polar)
	Unidade exterior L-N (Monofásica)	*4 230 V CA	230 V CA	230 V CA
	Unidade exterior L1-N, L2-N, L3-N (3 fases)	*4 230 V CA	230 V CA	230 V CA
	Unidade interior/unidade exterior S1-S2	*4 230 V CA	230 V CA	230 V CA
	Unidade interior/unidade exterior S2-S3	*4 24 V CC	24 V CC	24 V CC
	Ligação do controlador remoto/unidade interior	*4 12 V CC	12 V CC	12 V CC

*1. Utilize um disjuntor de fuga à terra (NV) com uma separação de, pelo menos, 3,0 mm entre os contactos dos pólos.

Certifique-se de que o disjuntor de corrente de fuga é compatível com harmónicos mais altos.

Utilize sempre um disjuntor de corrente de fuga que seja compatível com harmónicos mais altos, uma vez que esta unidade está equipada com um inversor.

A utilização de um disjuntor inadequado pode provocar o mau funcionamento do inversor.

*2 Máx. 45 m

Se forem utilizados 2,5 mm², máx. 50 m

Se forem utilizados 2,5 mm² e S3 separado, máx. 80 m

*3. Existe um fio de 10 m ligado ao acessório do controlo remoto.

*4. Os valores NÃO se aplicam sempre em relação à terra.

O terminal S3 tem uma diferença de 24 V CC em relação ao terminal S2. Entre os terminais S3 e S1, a ligação NÃO está isolada electricamente pelo transformador ou outro dispositivo.



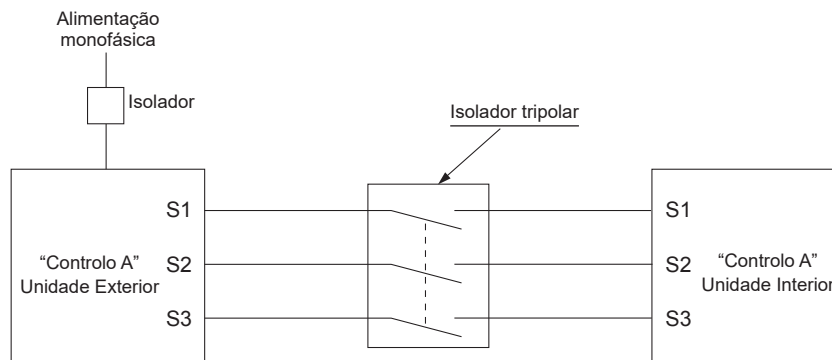
Notas: 1. A dimensão da cablagem deve estar em conformidade com as regulamentações nacionais e locais aplicáveis.

2. Os cabos de alimentação e os cabos de alimentação de ligação da unidade interior/exterior não devem ser inferiores a cabos flexíveis revestidos a policloropreno. (Tipo 60245 IEC 57)

3. Utilize um fio terra que seja maior do que os outros fios, para que não se desligue quando é aplicada tensão.

4. Utilize cabos de distribuição auto-extinguíveis para a cablagem da fonte de alimentação.

5. Encaminhe adequadamente a cablagem de modo a não fi car em contacto com a extremidade da folha de metal ou a ponta de um parafuso.



⚠ Aviso:

- No caso da ligação eléctrica de controlo A, existe a possibilidade de alta tensão no terminal S3, causada por um circuito eléctrico que não possui isolamento eléctrico entre a linha de alta tensão e a linha de sinal de comunicação. Por conseguinte, desligue a fonte de alimentação principal ao fazer qualquer reparação. Além disso, não toque nos terminais S1, S2 e S3 enquanto a corrente estiver ligada. Se tiver de utilizar o isolador entre a unidade interior e a exterior, utilize um do tipo tripolar.

Nunca una o cabo de alimentação ou o cabo de ligação interior-exterior, caso contrário pode resultar em fumo, incêndio ou uma falha de comunicação.

Certifique-se de que liga os cabos de ligação interior/exterior directamente às unidades (sem ligações intermédias).

As ligações intermédias podem provocar erros de comunicação caso se dê a entrada de água nos cabos e provocar isolamento à terra insuficiente ou um mau contacto eléctrico no ponto de ligação intermédio.

7. Ensaio

7.1. Antes do ensaio

- ▶ Depois de concluir a instalação, a cablagem e a tubagem das unidades interior e exterior, verifique se não há fugas de refrigerante, maus contactos na fonte de alimentação ou na cablagem de controlo, polaridade errada e se não foi desligada qualquer fase na alimentação.
- ▶ Utilize um megóhmetro de 500 V para verificar se a resistência entre os terminais da fonte de alimentação e o solo são de pelo menos 1 MΩ.
- ▶ Não execute este ensaio nos terminais da cablagem de controlo (circuito de baixa voltagem).

⚠ Aviso:

Não utilize o ar condicionado se a resistência de isolamento for inferior a 1 MΩ.

Resistência de isolamento

Após a instalação ou após a fonte de alimentação da unidade ter sido cortada durante um período longo, a resistência de isolamento vai diminuir até menos de 1 MΩ, devido à acumulação de refrigerante no compressor. Este facto não representa uma avaria. Efectue as acções que se seguem.

1. Retire os fios do compressor e meça a resistência de isolamento do mesmo.
2. Se a resistência de isolamento estiver abaixo de 1 MΩ, o compressor está a falhar ou a resistência diminuiu devido à acumulação de refrigerante no compressor.
3. Depois de ligar os fios ao compressor, este começará a aquecer assim que a fonte de alimentação for restituída. Depois de fornecer energia para os períodos indicados abaixo, meça a resistência de isolamento novamente.

- A resistência de isolamento diminui devido à acumulação de refrigerante no compressor. A resistência irá subir acima de 1 MΩ depois de o compressor ter aquecido durante 4 horas.
(O tempo necessário para aquecer o compressor varia de acordo com as condições atmosféricas e com a acumulação de refrigerante.)
 - Para que o compressor funcione com acumulação de refrigerante, deve ser aquecido durante pelo menos 12 horas, para evitar avarias.
4. Se a resistência de isolamento subir acima de 1 MΩ, o compressor não está a falhar.

⚠ Cuidado:

- O compressor só funcionará se a ligação da fase da fonte de alimentação for correcta.
- Ligue a electricidade pelo menos 12 horas antes de dar início à operação.
- Se começar a operação imediatamente depois de ligar o interruptor principal poderá danificar seriamente peças internas. Mantenha o interruptor ligado durante a estação operacional.

▶ Deverá também ser verificado o seguinte.

- A unidade exterior não está a falhar. O LED1 e o LED2 no painel de controlo da unidade exterior ficam intermitentes quando a unidade exterior está a falhar.
- As válvulas de retenção de gás e de líquido estão completamente abertas.
- Há uma chapa de protecção que cobre a superfície do painel do interruptor DIP no painel de controlo da unidade exterior. Retire a chapa de protecção para utilizar os interruptores DIP facilmente.

7.2. Ensaio

7.2.1. Utilizar o SW4 na unidade exterior

SW4-1	ON (ligado)	Operação de refrigeração
SW4-2	OFF (desligado)	
SW4-1	ON	Operação de aquecimento
SW4-2	ON	

* Após realizar o teste de funcionamento coloque SW4-1 em OFF.

- Depois de fornecer energia, pode ouvir-se um "clique" proveniente do interior da unidade exterior. Significa que a válvula de expansão electrónica está a abrir e fechar. A unidade não está a falhar.
- Alguns segundos depois de o compressor começar a funcionar, pode ouvir-se um som metálico proveniente do interior da unidade exterior. O ruído provém da válvula de retenção devido à pequena diferença de pressão nos tubos. A unidade não está a falhar.

O modo de ensaio não pode ser alterado pelo interruptor DIP SW4-2 durante o ensaio. (Para alterar o modo de ensaio durante o mesmo, interrompa-o através do interruptor DIP SW4-1. Depois de alterar o modo de ensaio, recomece o ensaio através do interruptor SW4-1.)

7.2.2. Utilização do controlo remoto

Consulte o manual da instalação da unidade interior.

Nota :

Ocasionalmente, o vapor gerado pela operação de descongelamento pode parecer fumo a sair da unidade exterior.

8. Funções especiais

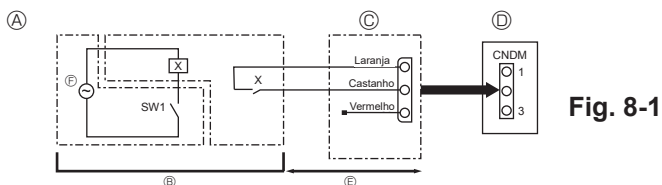


Fig. 8-1

- Ⓐ Exemplo de diagrama de circuito (modo de baixo nível de ruído)
- Ⓑ Disposição no local
- Ⓒ Adaptador de entrada externo (PAC-SC36NA-E)
- Ⓓ Painel de controlo da unidade exterior
- Ⓔ Máx. 10 m
- Ⓕ Alimentação para relé
- X: Relé

8.1. Modo de baixo nível de ruído (modificação no local) (Fig. 8-1)

Ao efectuar a alteração que se segue, o ruído de funcionamento da unidade exterior pode ser reduzido em cerca de 3-4 dB.

O modo de baixo nível de ruído será activado quando se adicionar um temporizador à venda no mercado ou um interruptor ON/OFF ao conector CNDM (vendido separadamente) no painel de controlo da unidade exterior.

- A capacidade varia de acordo com a temperatura e condições exteriores.
- ① Complete o circuito, tal como demonstrado, ao utilizar o adaptador de entrada externo (PAC-SC36NA-E). (vendido separadamente)
- ② SW7-1 (Painel de controlo da unidade exterior): OFF
- ③ SW1 ligado (ON): Modo de baixo nível de ruído
SW1 desligado (OFF): Funcionamento normal

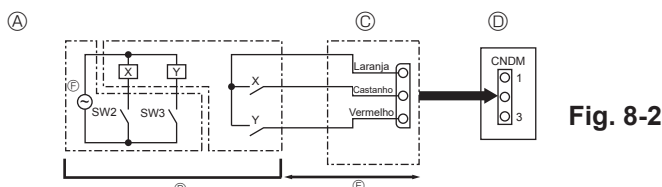


Fig. 8-2

- Ⓐ Exemplo de diagrama de circuito (Função de pedido)
- Ⓑ Disposição no local
- Ⓒ Adaptador de entrada externo (PAC-SC36NA-E)
- Ⓓ Painel de controlo da unidade exterior
- Ⓔ Máx. 10 m
- Ⓕ Alimentação para relé
- X, Y: Relé

8.2. Função de pedido (modificação no local) (Fig. 8-2)

Ao efectuar a modificação que se segue, o consumo de energia pode ser reduzido para 0-100% do consumo normal.

A função de pedido será activada quando se adicionar um temporizador à venda no mercado ou um interruptor ON/OFF ao conector CNDM (opção) no painel de controlo da unidade exterior.

- ① Complete o circuito, tal como demonstrado, ao utilizar o adaptador de entrada externo (PAC-SC36NA-E). (vendido separadamente)
- ② Regulando SW7-1 no painel de controlo da unidade exterior, o consumo de energia (em relação ao consumo normal) pode ser limitado, conforme indicado abaixo.

	SW7-1	SW2	SW3	Consumo de energia
Função de pedido	ON	OFF	OFF	100%
		ON	OFF	75%
		ON	ON	50%
		OFF	ON	0% (Paragem)

8. Funções especiais

8.3. Recuperação de refrigerante (bombagem)

Efectue os procedimentos que se seguem para recuperar o refrigerante ao transferir a unidade interior ou exterior.

① Ligue a fonte de alimentação (disjuntor).

* Quando for fornecida corrente, certifique-se de que não surge a indicação "CENTRALLY CONTROLLED" (controlado centralmente) no controlo remoto. Se a indicação "CENTRALLY CONTROLLED" surgir, a recuperação de refrigerante não poderá ser concluída normalmente.

* O arranque da comunicação interior-exterior demora cerca de 3 minutos após a ligação da fonte de alimentação (disjuntor). Inicie a operação de bombagem 3 a 4 minutos após a ligação da fonte de alimentação (disjuntor).

② Depois de a válvula de retenção de líquido ter fechado, ligue (posição ON) o interruptor SWP no painel de controlo da unidade exterior. O compressor (unidade exterior) e os ventiladores (unidades interiores e exteriores) começam a funcionar e a operação de recuperação de refrigerante tem início. O LED1 e o LED2 no painel de controlo da unidade exterior acendem.

* Ligue (posição ON) o interruptor SWP (tipo botão de premir) somente se a unidade estiver desligada. Contudo, mesmo que a unidade esteja desligada e o interruptor SWP seja ligado (posição ON) menos de 3 minutos depois de o compressor parar, não poderá ser efectuada a operação de recuperação de refrigerante. Aguarde 3 minutos após o compressor ter parado e, depois, ligue novamente (posição ON) o interruptor SWP.

③ Uma vez que a unidade pára automaticamente cerca de 2 a 3 minutos após a operação de recuperação de refrigerante (LED1 apagado, LED2 aceso), certifique-se de que fecha imediatamente a válvula de retenção de gás. Se o LED1 estiver aceso e o LED2 apagado e a unidade exterior estiver parada, a recuperação de refrigerante não será correctamente efectuada. Abra completamente a válvula de retenção de líquido e, em seguida, repita o passo ② passados 3 minutos.

* Se a operação de recuperação de refrigerante tiver sido concluída normalmente (LED1 apagado, LED2 aceso), a unidade permanecerá parada até que a fonte de alimentação seja desligada.

④ Interrompa o fornecimento de corrente (disjuntor).

* Tenha em atenção que, quando a tubagem de extensão é demasiado comprida e existe uma grande quantidade de refrigerante, poderá não ser possível efectuar uma operação de bombagem. Quando realizar a operação de bombagem, certifique-se de que a pressão baixa é reduzida até aproximadamente 0 MPa (manómetro).

⚠ Aviso:

Quando proceder à bombagem do refrigerante, desligue o compressor antes de desligar os tubos de refrigerante. O compressor pode rebentar se houver entrada de ar, etc.

9. Controlo do sistema (Fig. 9-1)

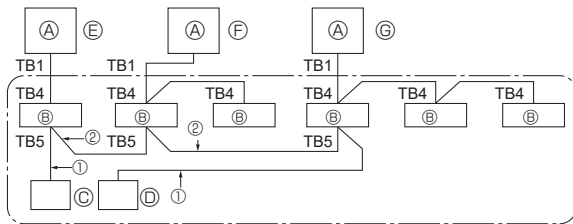
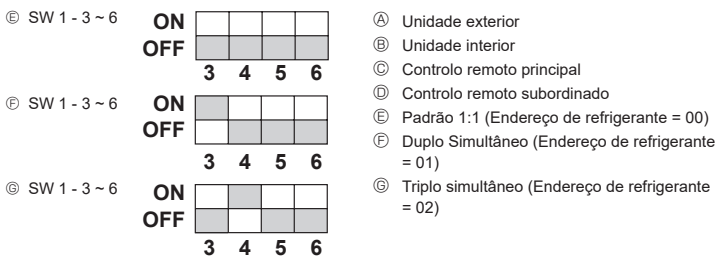


Fig. 9-1

* Ajuste o endereço de refrigerante usando o interruptor DIP da unidade exterior.

① Cablagem do controlo remoto

Este fio está ligado a TB5 (placa de terminais para controlo remoto) da unidade interior (não-polar).

② Quando um grupo de sistema de refrigeração diferente for utilizado.

Um total de 16 sistemas de refrigeração podem ser controlados como um grupo, por meio do controlo remoto MA fino.

Nota:

Num sistema de refrigeração único (twin/triple), não há necessidade de fios ②.

SW1
Tabela de
funções

<SW1>



	Função	Operação de acordo com a definição do interruptor	
		ON	OFF
SW1 Definições de função	1 Descongelação compulsória	Arranque	Normal
	2 Limpar historial de erros	Limpar	Normal
	3 Definição do endereço do sistema de refrigerante	Definições de endereço de 0 a 15 da unidade exterior	
	4		
	5		
	6		

Indholdsfortegnelse

1. Sikkerhedsforanstaltninger	1	6. Elektrisk arbejde	10
2. Montagested	2	7. Afprøvning	12
3. Montering af den udendørs enhed	6	8. Specielle funktioner	12
4. Montering af kølemiddellør	6	9. Systemkontrol (Fig. 9-1)	13
5. Føring af drænrør	10		



Bemærk: Dette symbol gælder kun for EU-lande.

Dette symbol er i overensstemmelse med direktiv 2012/19/EU paragraf 14 Oplysninger til brugere og tillæg IX.

Dit produkt fra MITSUBISHI ELECTRIC er designet og fremstillet med kvalitetsmaterialer og -komponenter, der kan genbruges.

Dette symbol viser, at elektrisk eller elektronisk udstyr ikke må bortskaffes sammen med almindeligt husholdningsaffald efter endt levetid.

Bortskaf dette udstyr på en lokal genbrugsplads.

I EU er der særskilte indsamlingsordninger for elektriske og elektroniske produkter.

Hjælp os med at bevare det miljø, vi lever i!

⚠ Forsigtig:

- Udluft ikke R32 til atmosfæren.

1. Sikkerhedsforanstaltninger

- ▶ Læs alle "Sikkerhedsforanstaltninger", før De installerer enheden.
- ▶ De skal forhøre Dem hos forsyningskilden før tilslutning til systemet.
- ▶ PUZ-M*Y er fremstillet til kommercielle programmer og lette industriprogrammer.
- ▶ Udstyr i overensstemmelse med IEC/EN 61000-3-12 (PUZ-M100/125/140V)

⚠ Advarsel:

Beskriver sikkerhedsforanstaltninger, der skal træffes, for at undgå personskade eller dødsfald.

⚠ Forsigtig:

Beskriver forholdsregler, der skal træffes, for at forhindre at enheden bliver beskadiget.

Efter afslutning af installationsarbejdet skal "Sikkerhedsforanstaltninger", brugen og vedligeholdelsen af enheden forklares for kunden ifølge betjeningsvejledningen. Desuden skal der foretages en testkørsel for at sikre normal funktion. Både installations- og betjeningsvejledningen skal overdrages til brugeren. Disse vejledninger skal gives videre til efterfølgende brugere.

⚡ : Angiver en del, der skal jordforbindes.

⚠ Advarsel:

Læs etiketterne på hovedenheden omhyggeligt.

⊙ : Indikerer advarsler under brug af R32-kølemiddel.

BETYDNINGEN AF DE SYMBOLER, DER VISES PÅ ENHEDEN

	ADVARSEL (Risiko for brand)	Dette symbol gælder kun for R32-kølemiddel. Kølemiddeltypen står på udendørsenhedens navneplade. Hvis kølemiddeltypen er R32, anvender denne enhed et brændbart kølemiddel. Hvis kølemiddel lækker og kommer i kontakt med ild eller varmeenheder, dannes der skadelig gas, og der opstår risiko for brand.
		Læs omhyggeligt BETJENINGSVEJLEDNINGEN før drift.
		Servicepersonale skal omhyggeligt læse BETJENINGSVEJLEDNINGEN og INSTALLATIONSVEJLEDNINGEN før drift.
		Yderligere oplysninger fremgår af BETJENINGSVEJLEDNINGEN, INSTALLATIONSVEJLEDNINGEN osv.

⚠ Advarsel:

- Enheden må ikke installeres af brugeren. Lad en forhandler eller autoriseret tekniker installere og reparere enheden. Hvis enheden ikke installeres korrekt, kan det resultere i vandlækage, elektrisk stød eller brand.
- Foretag installation og flytning i overensstemmelse med installationsmanualen, og brug værktøj og rørdel, der er specielt beregnet til anvendelse sammen med R32-kølemiddel. Hvis der anvendes rørdel, der ikke er konstrueret til R32 kølemiddel og enheden ikke installeres korrekt, kan rørene sprænges og forårsage beskadigelse eller kvæstelse. Der kan desuden opstå vandlækage, elektrisk stød eller brand.
- For at minimere risikoen for beskadigelse som følge af jordskælv, tyfoner eller kraftigt stormvejr skal enheden installeres ifølge vejledningen. En ukorrekt installeret enhed kan falde ned og forårsage beskadigelse eller kvæstelser.
- Enheden skal monteres fast og sikkert på en underkonstruktion, der kan bære dens vægt. Hvis enheden monteres på en ustabil konstruktion, kan den falde ned og forårsage beskadigelse og kvæstelser.
- Hvis klimaanlægget installeres i et lille rum, skal der tages forholdsregler til at forhindre, at kølemiddelkoncentrationen i rummet overstiger sikkerhedsgrænsen i tilfælde af kølemiddellækage. Kontakt en forhandler mht. de passende forholdsregler til forhindring af, at den tilladte koncentration overskrides. Hvis der opstår lækage af kølemiddel, som forårsager overskridelse af koncentrationsgrænsen, kan der opstå livsfare på grund af manglende ilt i rummet.
- Ventil rummet hvis der opstår kølemiddellækage under driften. Hvis kølemidlet kommer i kontakt med åben ild, afgives der giftige gasser.
- Alle elinstallationsarbejder skal udføres af en faguddannet elinstallatør og ifølge de lokale bestemmelser og instruktionerne i denne vejledning. Enheden skal forsynes med strøm fra dertil beregnede forsyningsledninger og med den korrekte spænding og korrekte hovedafbrydere. Strømforsyningsledninger med utilstrækkelig kapacitet eller ukorrekt udført elinstallationsarbejde kan medføre elektrisk stød eller brand.
- Brug C1220 kobber-fosfor legering, for sømløse rør af kobber og kobberlegering, til at samle kølemiddellør. Hvis rørene ikke samles korrekt, bliver enheden ikke ordentligt jordet, hvilket kan resultere i elektrisk stød.
- Dette apparat er beregnet til at blive brugt af en ekspert eller udlært bruger i butikker, belysningsindustrien, på gårde eller af en ikke-faglært person til kommercielt brug.
- Brug kun de anviste kabler til kabelføring. Kabelforbindelserne skal være sikre, så der ikke er belastning af terminalforbindelserne. Undgå desuden at sammensplejse kabler til kabelføring (medmindre andet er anvist i dette dokument). Manglende overholdelse af disse instruktioner kan medføre overophedning eller brand.
- Hvis forsyningsledningen er beskadiget, skal den udsiftes af producenten, serviceteknikeren eller en lignende kvalificeret person for at undgå fare.
- Apparatet skal installeres i overensstemmelse med nationale lovbestemmelser for elektrisk installation.
- Klæmkassens dæksel på den udvendige enhed skal skrues godt fast. Hvis dækslet monteres ukorrekt og der kommer støv og fugt ind i enheden, kan der

opstå elektrisk stød eller brand.

- Ved installation, flytning eller serviceeftersyn af klimaanlægget må der kun anvendes det specificerede kølemiddel (R32) til fyldning af kølemiddellørene. Det må ikke blandes med nogen anden type kølemiddel, og der må ikke være luft tilbage i rørene. Hvis der blandes luft sammen med kølemidlet, kan det forårsage et unormalt højt tryk i kølemiddelløret og resultere i en eksplosion og andre farlige situationer. Hvis der bruges andre kølemidler end det, der er specificeret for systemet, forårsager det mekanisk driftssvigt eller funktionsfejl i systemet eller nedbrud af enheden. I værste fald kan det føre til en alvorlig hindring for produktsikkerheden.
- Brug kun tilbehør, der er godkendt af Mitsubishi Electric og lad en forhandler eller en autoriseret tekniker installere dem. Hvis tilbehøret ikke installeres korrekt, kan det resultere i vandlækage, elektrisk stød eller brand.
- Der må ikke foretages ændringer på enheden. Lad en forhandler foretage reparationer. Hvis ændringer eller reparationer ikke udføres korrekt, kan det resultere i vandlækage, elektrisk stød eller brand.
- Brugeren bør aldrig forsøge at reparere enheden eller flytte den til en anden placering. Hvis enheden ikke installeres korrekt, kan det resultere i vandlækage, elektrisk stød eller brand. Hvis klimaanlægget skal repareres eller flyttes, skal det udføres af en forhandler eller en autoriseret tekniker.
- Når installationen er afsluttet, kontrolleres for kølemiddellækager. Hvis kølemiddel løber ud i rummet og kommer i kontakt med åben ild (f.eks. flammen på en opvarmingsenhed eller et transportabelt kogeudstyr), vil der opstå giftige gasser.
- Forsøg ikke at fremskynde afrimningsprocessen eller at rengøre på andre måder end dem, der er anbefalet af producenten.
- Udstyret skal opbevares i et lokale uden kontinuerlige antændelseskilder (f.eks. åben ild, et tændt gasapparat eller et tændt, elektrisk varmeapparat).
- Må ikke gennembøres eller brændes.
- Vær opmærksom på, at kølemiddel muligvis ikke kan lugtes.
- Rørledninger skal beskyttes mod fysisk skade.
- Installation af rørledning skal være minimal.
- Nationale gasbestemmelser skal overholdes.
- Hold de nødvendige ventilationsåbninger fri for forhindringer.
- Brug ikke lodmetal til lav temperatur ved lodning af kølemiddellørene.
- Udluft rummet tilstrækkeligt under lodning. Kontroller, at der ikke befinder sig farlige eller brændbare materialer i nærheden. Ved udførelse af arbejdet i et lukket eller lille rum eller på et lignende sted skal det før arbejdet sikres, at der ikke er kølemiddellækager. Hvis kølemiddellækager akkumuleres, kan de antændes, eller giftig gas kan blive frigivet.
- Apparatet skal opbevares på et godt ventileret sted, hvor rumstørrelsen svarer til det rumareal, der er specificeret for drift.
- Hold gasbrændere, elektriske varmeapparater og andre brandkilder (antændelseskilder) væk fra det sted, hvor installation, reparation og andet arbejde på klimaanlægget udføres.
- Hvis kølemidlet kommer i kontakt med åben ild, frigives giftige gasser.
- Undgå at ryge eller arbejde på og transport af enheden.

1. Sikkerhedsforanstaltninger

1.1. Inden installationen

⚠ Forsigtig:

- Brug ikke enheden i usædvanlige omgivelser. Hvis klimaanlægget installeres i områder, hvor det udsættes for damp, flygtig olie (inklusive maskinolie), eller svovlholdige gasser, områder med højt saltindhold som f.eks. ved havet, eller områder hvor enheden kan blive dækket af sne, kan ydelsen blive betydelig nedsat og de indvendige dele kan blive beskadiget.
- Installer ikke enheden på steder, hvor brændbare gasser kan slippe ud, opstå, strømme eller samle sig. Hvis der samler sig brændbare gasser omkring enheden, kan det medføre brand eller eksplosion.

- Udendørs enheden danner kondensvand under opvarmningsdriften. Sørg for at der er afløb omkring den udvendige enhed, hvis denne kondensdannelse kan forårsage skader.
- Hvis enheden installeres i et hospital eller et kommunikationsrum, skal man være forberedt på støj og elektronisk interferens. Omformere, husholdningsapparater, højfrekvent medicinsk udstyr og radiokommunikationsudstyr kan forårsage, at klimaanlægget fungerer forkert eller ødelægges. Klimaanlægget kan også påvirke medicinsk udstyr, kommunikationsudstyr, kvaliteten af skærbilleder og influere på medicinsk behandling.

1.2. Inden installation (flytning)

⚠ Forsigtig:

- Udvis stor omhyggelighed ved transport eller montering af enhederne. Der skal mindst to personer til at håndtere enheden, da den vejer 20 kg eller mere. Løft ikke i emballagebåndene. Anvend beskyttelseshandsker, når enheden tages ud af emballagen eller flyttes, da hænderne kan blive kvæstet af ribberne eller andre deles kanter.
- Sørg for at bortskaffe emballagen efter gældende regler. Emballagematerialer, som f.eks. søm og andre metal- eller trædele kan forårsage rifter eller andre kvæstelser.

- Grundenheden og tilbehør på udendørsenheden skal regelmæssigt kontrolleres for løse forbindelser, revner eller anden skade. Hvis sådanne defekter ikke repareres, kan enheden falde ned og forårsage skade eller kvæstelser.
- Klimaanlægget må ikke rengøres med vand. Dette kan medføre elektrisk stød.
- Spænd alle brystmøtrikker efter specifikationerne med en momentnøgle. Hvis den spændes for stramt, kan brystmøtrikken knække efter et stykke tid og kølemidlet kan løbe ud.

1.3. Inden el-arbejde

⚠ Forsigtig:

- Sørg for at installere hovedafbrydere. Hvis de ikke installeres, kan der opstå elektrisk stød.
- Brug standard kabler med tilstrækkelig kapacitet til forsyningsledningerne. Ellers kan der opstå kortslutning, overophedning eller brand.
- Ved installation af forsyningsledningerne må der ikke være træk i kablerne. Hvis tilslutningerne løsnes, kan kablerne springe tilbage eller knække, hvilket kan forårsage overophedning eller brand.

- Sørg for at jordforbinde enheden. Forbind ikke jordledningen til gas- eller vandrør, lynafledere eller telefonjordledninger. Hvis enheden ikke er korrekt jordet, kan det resultere i elektrisk stød.
- Brug mekaniske effektafbrydere (HFI-relæ, hovedafbryder (+B sikring) og effektafbryder i støbt hus) med den specificerede kapacitet. Hvis effektafbryderens kapacitet er større end den specificerede kapacitet, kan det resultere i nedbrud eller brand.

1.4. Inden start af testkørsel

⚠ Forsigtig:

- Tænd hovedafbryderen mere end 12 timer før start af driften. Hvis driften startes straks efter, at hovedafbryderen er tændt, kan der opstå alvorlige skader på de indvendige dele. Sørg for at hovedafbryderen er tændt i hele driftssæsonen.
- Inden start af driften skal det kontrolleres, at alle paneler, beskyttelsesdæksler og andre beskyttelsesdele er korrekt monteret. Roterende, varme eller højspændings dele kan forårsage kvæstelser.

- Rør ikke ved nogen kontakt med våde eller fugtige hænder. Dette kan medføre elektrisk stød.
- Berør ikke kølemiddelrørene med de bare hænder under driften. Kølemiddelrørene er varme eller kolde afhængig af tilstanden af det gennemstrømmende kølemiddel. Hvis rørene berøres, kan der opstå forbrændinger eller forfrysninger.
- Efter standsning af driften skal der ventes i mindst 5 minutter, inden der slukkes på hovedafbryderen. Ellers kan det resultere i vandlækage eller nedbrud.

1.5. Anvendelse af klimaanlæg med R32 kølemiddel

⚠ Forsigtig:

- Brug C1220 kobber-fosfor legering, for sømløse rør af kobber og kobberlegering, til at samle kølemiddelrør. Kontrollér at det indvendige af rørene er rene og ikke indeholder skadelige forureninger som f.eks. svovlholdige blandinger, oxidanter, affald eller støv. Brug rør med den specificerede tykkelse. (Se 4.1.) Bemærk følgende, hvis eksisterende rør, der har været brugt til R22 kølemiddel, genanvendes.
 - Udskift de eksisterende brystmøtrikker og opkrav de opkravede sektioner igen.
 - Anvend ikke tynde rør. (Se 4.1.)
- Opbevar de rør, der skal anvendes, indendørs og hold begge ender af rørene lukkede indtil lige før lodningen. (Lad knæsamlinger osv. forblive i deres emballage.) Hvis der kommer støv, affald eller fugt ind i kølemiddelrørene, kan det medføre forringelse af olien eller nedbrud af kompressoren.
- Brug ester-olie, ether-olie eller alkylbenzen-olie (i lille mængde) som kølemiddellolie til at smøre på de opkravede sektioner. Hvis mineralolie blandes med kølemiddellolien, kan det forringe olien.

- Serviceeftersyn skal udføres efter producentens anvisninger.
- Der må ikke anvendes andre kølemidler end R32 kølemiddel.
- Brug følgende værktøj, der er specielt beregnet til anvendelse sammen med R32 kølemiddel. Følgende værktøj er nødvendigt ved anvendelse af R32 kølemiddel. Ved spørgsmål kontaktes den nærmeste forhandler.

Værktøj (til R32)	
Målermanifold	Opkravningsværktøj
Påfyldningsslange	Størrelsesmåler
Gaslækage detektor	Vakuumpumpeadapter
Momentnøgle	Elektronisk kølemiddelpåfyldningsskala

- Sørg for at anvende det korrekte værktøj. Hvis der kommer støv, affald eller fugt ind i kølemiddelrørene, kan det medføre forringelse af kølemiddellolien.

2. Montagedsted

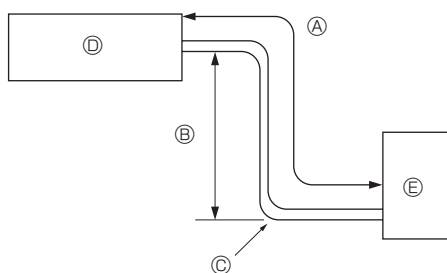


Fig. 2-1

2.1. Kølerør (Fig. 2-1)

- ▶ Kontroller, at forskellen mellem højden på den indendørs og den udendørs enhed, længden af kølerørføringen og antallet af bøjninger på rørføringen er indenfor de nedenfor viste grænser.

Modeller	Ⓐ Længde af rørføring (en vej)	Ⓑ Højdeforskel	Ⓒ Antal bøjninger (en vej)
M100	Maks. 55 m	Maks. 30 m	Maks. 15
M125/140	Maks. 65 m	Maks. 30 m	Maks. 15

- Grænserne for højdeforskel er bindende, ligegyldig hvilken enhed, den indendørs eller den udendørs, der er placeret højest.

- Ⓓ Indendørs enhed
- Ⓔ Udendørs enhed

2. Montagested

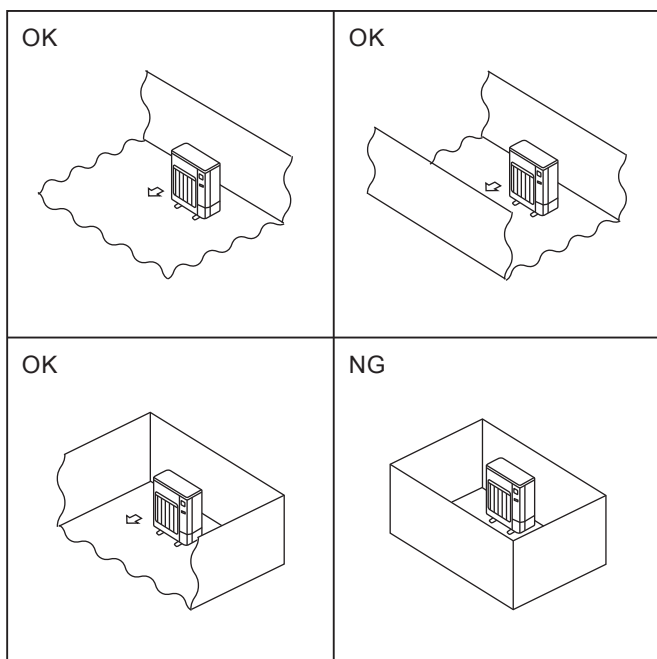


Fig. 2-2

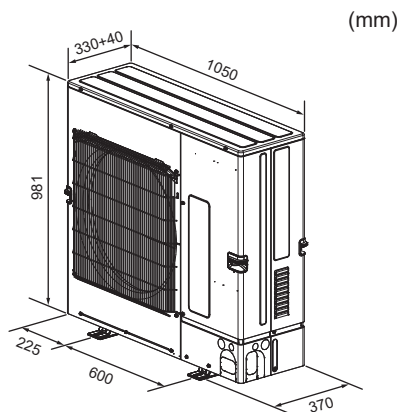


Fig. 2-3

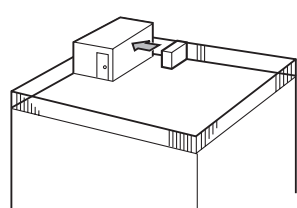


Fig. 2-4

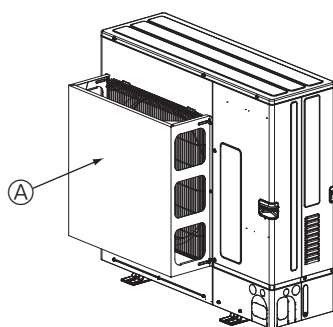


Fig. 2-5

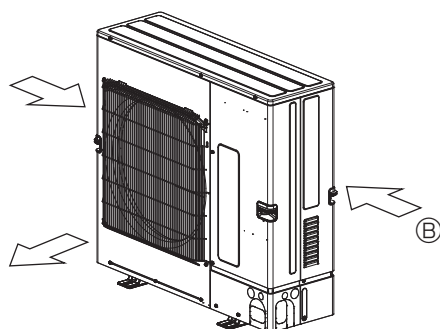


Fig. 2-6

2.2. Valg af placering af den udvendige enhed

©R32 er – lige som andre typer kølemiddel – tungere end luft, og derfor kan det samle sig ved monteringspladen (nær gulvet). Hvis der samles R32 nær monteringspladen, kan det medføre en brændbar kølemiddelkoncentration, hvis enheden er placeret i et lille rum. Sørg derfor for, at enheden er placeret i et sikkert miljø med passende ventilation for at undgå antændelse. Hvis der konstateres kølemiddellækage i et rum eller område uden tilstrækkelig ventilation, må der ikke anvendes åben ild, før arbejdsmiljøet kan forbedres ved at sikre en passende ventilation.

- Undgå placeringer, der er udsat for direkte sollys eller andre varmekilder.
 - Vælg en placering, hvor støj fra enheden ikke forstyrrer naboerne.
 - Vælg en placering, der tillader nem adgang for rør- og ledningsføring til forsyningskilderne og til indendørs enheden.
 - Undgå placeringer, hvor brændbare gasser kan lække, opstå, strømme eller samle sig.
 - Vær opmærksom på, at der kan løbe vand fra enheden under driften.
 - Vælg en vandret placering, der kan bære vægten af og modstå vibrationer fra enheden.
 - Undgå placeringer, hvor enheden kan blive dækket af sne. I områder, hvor der kan forventes kraftigt snefald, skal der tages særlige forholdsregler som f.eks. at hæve placeringen af enheden eller montere en hætte på luftindtaget for at forhindre, at sneen blokerer luftindtaget eller blæser direkte imod det. Dette kan reducere luftstrømmen og medføre fejlfunktion.
 - Undgå placeringer, der udsættes for olie, damp eller svovlholdige gasser.
 - Brug transporthåndtagene på udendørs enheden, når den skal transporteres. Hvis enheden bæres i bunden, kan hænder eller fingre komme i klemme.
 - Kølemiddeltilslutninger skal være tilgængelige for vedligeholdelse.
- © Installer udendørsenheder på et tilstrækkeligt stort område, hvor mindst én af enhedens fire sider ikke er blokeret, og hvor der ikke er fordybninger. (Fig. 2-2)

2.3. Udvendige mål (Udendørs enhed) (Fig. 2-3)

2.4. Plads til ventilation og service

2.4.1. Installation på et sted med megen blæst

Hvis udendørs enheden installeres på et tag eller et andet sted, hvor den er ubeskyttet imod blæsten, skal enhedens luftudblæsning anbringes, så den ikke udsættes direkte for kraftig blæst. Hvis stærk blæst kommer ind i luftudblæsningen, kan det hæmme den normale luftstrøm og medføre fejlfunktion.

I det følgende vises tre eksempler på forholdsregler imod stærk blæst.

- ① Anbring udblæsningen, så den vender imod den nærmeste væg og ca. 500 mm fra den. (Fig. 2-4)
- ② Montér en ekstra luftledeskærm på steder, hvor kraftig vind kan blæse direkte ind i luftudgangen. (Fig. 2-5)
 - Ⓐ Luftledeskærm
- ③ Anbring om muligt enheden således, at luftudblæsningen blæser vinkelret på den fremherskende vindretning. (Fig. 2-6)
 - Ⓑ Vindretning

2.4.2. Ved installation af en enkelt udendørs enhed (Se sidste side)

Der er følgende minimummål, bortset fra angivne maks., der betyder maksimummål. Se disse henvisninger i hvert enkelt tilfælde.

- ① Kun forhindringer bagved (Fig. 2-7)
- ② Kun forhindringer bagved og ovenover (Fig. 2-8)
- ③ Kun forhindringer bagved og i siderne (Fig. 2-9)
- ④ Kun forhindringer foran (Fig. 2-10)
 - * Ved anvendelse af en udblæsningsledeplade (ekstraudstyr) skal den fri afstand være 500 mm eller mere.
- ⑤ Kun forhindringer foran og bagved (Fig. 2-11)
 - * Ved anvendelse af en udblæsningsledeplade (ekstraudstyr) skal den fri afstand være 500 mm eller mere.
- ⑥ Kun forhindringer bagved, i siderne og ovenover (Fig. 2-12)
 - * Brug ikke udblæsningsledepladerne (ekstraudstyr) til luftstrøm opad.

2.4.3. Ved installation af flere udendørs enheder (Se sidste side)

Efterlad mindst 50 mm for M100-140 eller mere mellem enhederne.

- ① Kun forhindringer bagved (Fig. 2-13)
- ② Kun forhindringer bagved og ovenover (Fig. 2-14)
 - * Der må ikke installeres mere end tre enheder ved siden af hinanden. Der skal desuden være afstand som vist.
 - * Brug ikke udblæsningsledepladerne (ekstraudstyr) til luftstrøm opad.
- ③ Kun forhindringer foran (Fig. 2-15)
 - * Ved anvendelse af en udblæsningsledeplade (ekstraudstyr), skal den fri afstand for modellerne M100-140 være 1000 mm eller mere.
- ④ Kun forhindringer foran og bagved (Fig. 2-16)
 - * Ved anvendelse af en udblæsningsledeplade (ekstraudstyr), skal den fri afstand for modellerne M100-140 være 1000 mm eller mere.
- ⑤ Enkelt parallel enhed arrangement (Fig. 2-17)
 - * Hvis der anvendes en udblæsningsledeplade (ekstraudstyr) til luftstrøm opad, skal den fri afstand være 1000 mm eller mere.
- ⑥ Flere parallelle enheder arrangement (Fig. 2-18)
 - * Hvis der anvendes en udblæsningsledeplade (ekstraudstyr) til luftstrøm opad, skal den fri afstand være 1500 mm eller mere.
- ⑦ Stabilede enheder arrangement (Fig. 2-19)
 - * Enhederne kan stables i op til 2 enheders højde.
 - * Der må ikke installeres mere end 2 stablede enheder ved siden af hinanden. Der skal desuden være afstand som vist.

2. Montagedsted

©2.5. Minimumsområde for installation

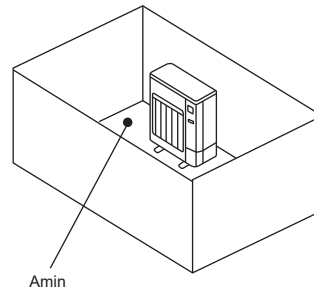
Hvis det ikke kan undgås, at enheden installeres på et sted, hvor alle fire sider er blokeret, eller hvor der er fordybninger, skal det bekræftes, at en af disse situationer (A, B eller C) er gældende.

Bemærk: Overholdelse af disse forholdsregler garanterer sikker brug af enheden, men ikke optimal ydelse.

A) Sørg for, at installationsområdet er tilstrækkeligt stort (minimumsområde for installation, Amin).

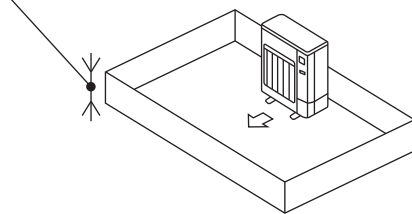
Installer enheden på et sted, hvor installationsområdet er mindst Amin svarende til kølemiddelmængde M (kølemiddel påfyldt af producenten + kølemiddel tilføjet lokalt).

M [kg]	Amin [m ²]
1,0	12
1,5	17
2,0	23
2,5	28
3,0	34
3,5	39
4,0	45
4,5	50
5,0	56
5,5	62
6,0	67
6,5	73
7,0	78
7,5	84

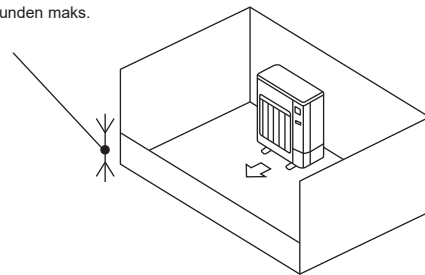


B) Installer på et sted med en fordybning på $\leq 0,125$ [m].

Højde fra bunden maks.
0,125 [m]



Højde fra bunden maks.
0,125 [m]

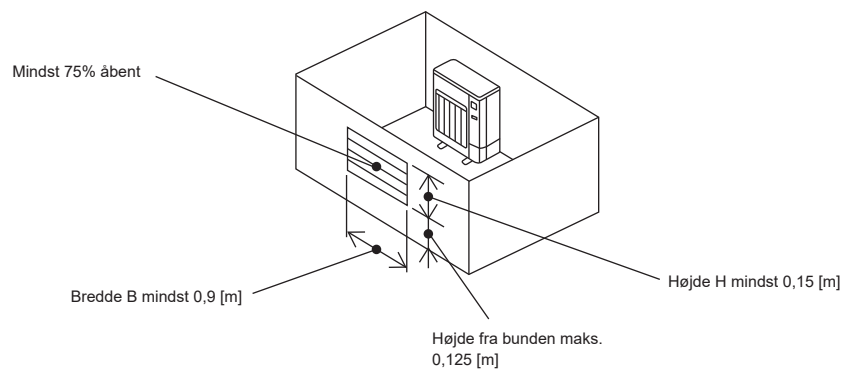


C) Sørg for, at der er et åbent område med tilstrækkelig ventilation.

Sørg for, at det åbne område er mindst 0,9 [m] bredt og mindst 0,15 [m] højt.

Højden fra bunden af installationsområdet til den nederste kant af det åbne område bør dog være maks. 0,125 [m].

Det åbne område skal være mindst 75% åbent.



2. Montagested

■ Indendørsenhed

Installer enheden i et rum, hvor gulvområdet er mindst A_{min} svarende til kølemiddelmængde M (kølemiddel påfyldt af producenten + kølemiddel tilføjet lokalt).

* Se mærkepladen med specifikationer eller installationsmanualen for at få oplyst kølemiddelmængden påfyldt af producenten.

Se installationsmanualen for at få oplyst den mængde, der skal påfyldes lokalt.

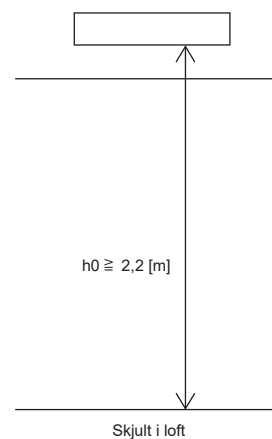
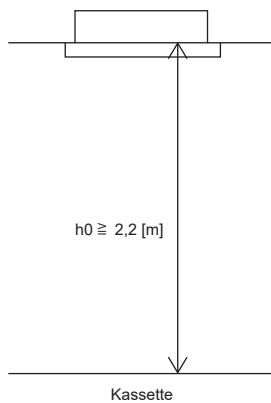
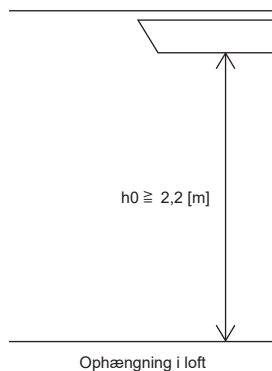
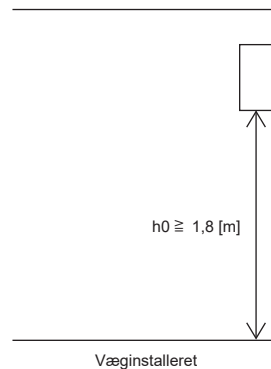
Installer indendørsenheden, så højden fra gulvet til den nederste kant af indendørsenheden er h_0 ;

ved væginstallation: mindst 1,8 m;

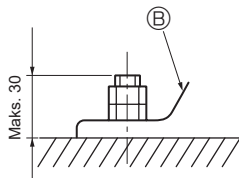
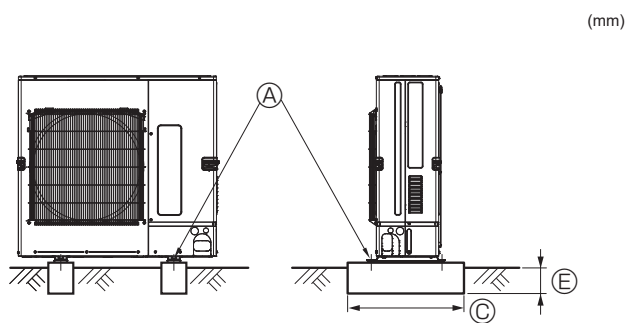
ved ophængning i loft eller skjult installation i kassette eller loft: mindst 2,2 m.

* Der er begrænsninger for installationshøjden for hver enkelt model, så læs installationsmanualen til den pågældende enhed.

M [kg]	Amin [m ²]
1,0	4
1,5	6
2,0	8
2,5	10
3,0	12
3,5	14
4,0	16
4,5	20
5,0	24
5,5	29
6,0	35
6,5	41
7,0	47
7,5	54



3. Montering af den udendørs enhed



- Ⓐ M10 (3/8") bolt
- Ⓑ Monteringsplade
- Ⓒ Så lang som muligt.
- Ⓓ Ventilationsåbning
- Ⓔ Grav enheden et stykke ned i jorden

(mm)

- Enheden skal monteres på en solid, plan overflade for at forhindre raslelyde under anvendelsen. (Fig. 3-1)

<Specifikationer for fundament>

Fundamentbolt	M10 (3/8")
Betontykkelse	120 mm
Boltlængde	70 mm
Belastningskapacitet	320 kg

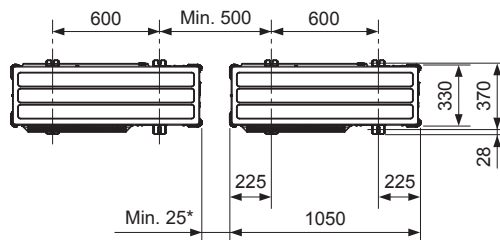
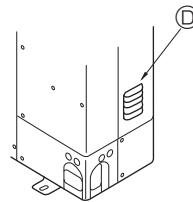
- Kontroller at fundamentboltene er mindre end 30 mm fra monteringspladens bund.
- Fastgør monteringspladen omhyggeligt med fire M10-fundamentbolte på solide steder.

Installation af udendørs enheden

- Sørg for ikke at blokere ventilationsåbningen. Hvis ventilationsåbningen blokeres, vil driften blive forhindret og der kan opstå nedbrud.
- Udover enhedens underdel kan man om nødvendigt anvende installationshul-lerne på bagsiden, der er beregnet til ledninger mm., til installation af enheden. Brug selvskærende skrue (ø5 × 15 mm eller mindre) og monter på stedet.

⚠ Advarsel:

- Enheden skal monteres fast og sikkert på en underkonstruktion, der kan bære dens vægt. Hvis enheden monteres på en ustabil konstruktion, kan den falde ned og forårsage beskadigelse og kvæstelser.
- For at minimere risikoen for beskadigelse som følge af jordskælv, tyfoner eller kraftigt stormvejr skal enheden installeres ifølge vejledningen. En ukorrekt installeret enhed kan falde ned og forårsage beskadigelse eller kvæstelser.



- * Ved installation af en enkelt udendørs enhed skal den fri afstand være 15 mm eller mere.

Fig. 3-1

4. Montering af kølemiddelrør

4.1. Forholdsregler for apparater der anvender R32 kølemiddel

- Se 1.5. for forholdsregler, der ikke er angivet nedenfor, vedrørende anvendelse af klimaanlæg med R32 kølemiddel.
- Brug ester-olie, ether-olie eller alkylbenzen-olie (i lille mængde) som kølemiddelolie til at smøre på de opkravede sektioner.
- Brug C1220 kobber-fosfor legering, for sømløse rør af kobber og kobberlegering, til at samle kølemiddelrør. Brug kølemiddelrør med den tykkelse, der er angivet i skemaet nedenfor. Kontrollér at det indvendige af rørene er rene og ikke indeholder skadelige forureninger som f.eks. svovlholdige blandinger, oxidanter, affald eller støv. Anvend altid en ikke-oxiderende lodning ved lodning af rørene, ellers kan kompressoren tage skade.

⚠ Advarsel:

Ved installation, flytning eller serviceeftersyn af klimaanlægget må der kun anvendes det specificerede kølemiddel (R32) til fyldning af kølemiddelrørene. Det må ikke blandes med nogen anden type kølemiddel, og der må ikke være luft tilbage i rørene.

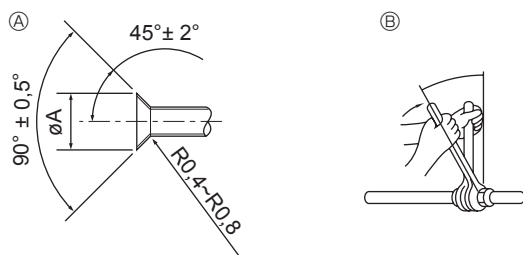
Hvis der blandes luft sammen med kølemidlet, kan det forårsage et unormalt højt tryk i kølemiddelrøret og resultere i en eksplosion og andre farlige situationer.

Hvis der bruges andre kølemidler end det, der er specificeret for systemet, forårsager det mekanisk driftssvigt eller funktionsfejl i systemet eller nedbrud af enheden. I værste fald kan det føre til en alvorlig hindring for produkt-sikkerheden.

Rørstørrelse (mm)	ø6,35	ø9,52	ø12,7	ø15,88	ø19,05	ø22,2	ø25,4	ø28,58
Tykkelse (mm)	0,8	0,8	0,8	1,0	1,0	1,0	1,0	1,0

- Anvend ikke rør med mindre tykkelse end angivet ovenfor.
- Brug 1/2 H eller H rør, hvis diameteren er 19,05 mm eller større.
- Sørg for tilstrækkelig ventilation for at forhindre antændelse. Sørg desuden for at udføre foranstaltninger til brandsikring, så der ikke findes farlige eller brandbare genstande i nærheden af enheden.

4. Montering af kølemiddelrør



- Ⓐ Skæremål for kraver
Ⓑ Tilspændingsmoment for omløbermøtrik

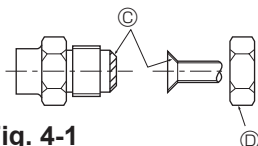


Fig. 4-1

Ⓐ (Fig. 4-1)

Kobberrør udv. dia (mm)	Kravemål ϕA -mål (mm)
$\phi 6,35$	8,7 - 9,1
$\phi 9,52$	12,8 - 13,2
$\phi 12,7$	16,2 - 16,6
$\phi 15,88$	19,3 - 19,7
$\phi 19,05$	23,6 - 24,0

Ⓑ (Fig. 4-1)

Kobberrør udv. dia (mm)	Omløbermøtrik, udv. dia (mm)	Tilspændingsmoment (N·m)
$\phi 6,35$	17	14 - 18
$\phi 6,35$	22	34 - 42
$\phi 9,52$	22	34 - 42
$\phi 12,7$	26	49 - 61
$\phi 12,7$	29	68 - 82
$\phi 15,88$	29	68 - 82
$\phi 15,88$	36	100 - 120
$\phi 19,05$	36	100 - 120

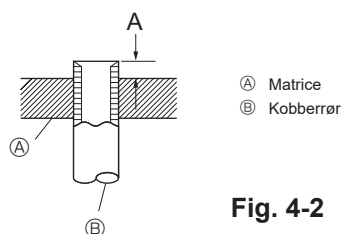
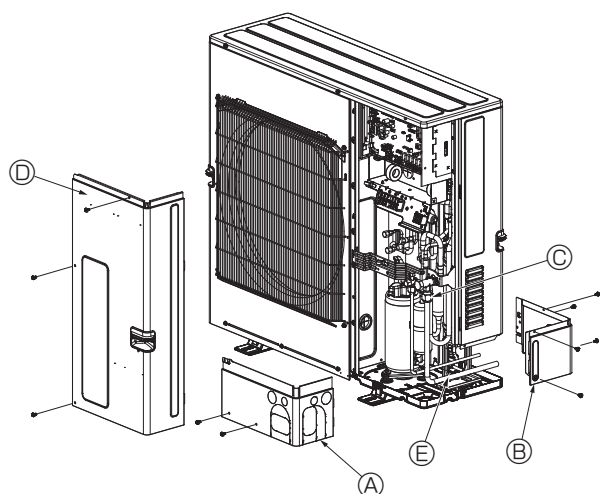


Fig. 4-2



- Ⓐ Frontdæksel til rørføring
Ⓑ Bagdæksel til rørføring
Ⓒ Stopventil
Ⓓ Servicepanel
Ⓔ Bøjeradius : 100 mm - 150 mm

Fig. 4-3

4.2. Forbindelsesrør (Fig. 4-1)

- Når der anvendes almindelige kobberrør, pakkes væske- og gasrør ind i almindeligt isoleringsmateriale (varmebestandigt indtil 100°C eller derover, tykkelse 12 mm eller derover).
- De indendørs dele af drænrøret skal pakkes ind i isoleringsmateriale af polyethylen (massefylde på 0,03, tykkelse på 9 mm eller derover).
- Kom et tyndt lag køleolie på rør og samlingsoverflade, før stramning af brystmøtrikken. Ⓐ
- Anvend to skrueøgler til at spænde rørforbindelserne. Ⓑ
- Anvend en lækagedetektor eller sæbevand til at kontrollere for gaslækager efter færdiggørelse af forbindelser.
- Påfør kølemaskineolie på hele opkravningsstedets overflade. Ⓒ
- Brug koniske møtrikker til følgende rørstørrelse. Ⓓ

Gasside	Rørstørrelse (mm)	$\phi 15,88$
Væskeside	Rørstørrelse (mm)	$\phi 9,52$

- Pas på ikke at knække rørene, når de bøjes. Bøjningsradier på 100 mm til 150 mm er passende.
- Sørg for at rørene ikke rører kompressoren. Ellers kan der opstå unormal støj eller vibrationer.
- Tilslutning af rørene skal påbegyndes fra indendørs enheden. Brystmøtrikker skal fastspændes med en momentnøgle.
- Opkrav væskerørene og gasrørene og påfør et tyndt lag kølemiddelolie (påføres på stedet).
- Når der anvendes normal rørtætning, refereres til skema 1 for opkravning af R32 kølemiddelrør. Størrelsesmåleren kan anvendes til kontrol af A-mål.

Skema 1 (Fig. 4-2)

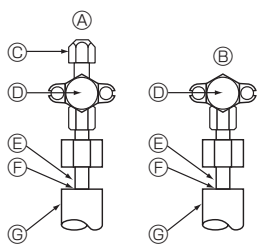
Kobberrør udv. dia (mm)	A (mm)	
	Kravenøgle til R32	Kravenøgle til R22-R407C
	Koblingstype	
$\phi 6,35$ (1/4")	0 - 0,5	1,0 - 1,5
$\phi 9,52$ (3/8")	0 - 0,5	1,0 - 1,5
$\phi 12,7$ (1/2")	0 - 0,5	1,0 - 1,5
$\phi 15,88$ (5/8")	0 - 0,5	1,0 - 1,5
$\phi 19,05$ (3/4")	0 - 0,5	1,0 - 1,5

4.3. Kølerør (Fig. 4-3)

Fjern servicedækslet Ⓓ (3 skruer), det forreste dæksel Ⓐ (2 skruer) og det bagerste dæksel Ⓑ (5 skruer).

- Tilslut kølemiddelrørene til den indendørs/udendørs enhed, når den udendørs enheds stopventil er lukket helt.
- Evakuer luft fra indendørsenheden og rørforbindelserne.
- Når kølemiddelrørene er forbundet, skal rørene og den indvendige enhed kontrolleres for gaslækage. (Se 4.4. Metode til lufttæthedstest for kølemiddelrør.)
- Der anvendes en højtydende vakuumpumpe ved stopventilens serviceport til opretholdelse af vakuum i et tilstrækkeligt tidsrum (min. en time, efter at -101 kPa (5 Torr)) er nået for at vakuamtørre rørene indvendigt. Kontrollér altid vakuumværdien på målemanifolden. Hvis der stadig er fugt i røret, nås vakuumværdien ikke altid ved kortvarig påførsel af vakuum. Efter vakuamtørring skal stopventilerne (for både væske og gas) på udendørsenheden åbnes. Dermed forbindes det indendørs og det udendørs kølekredsløb helt.
 - Ved utilstrækkelig vakuamtørring står der luft og vanddamp tilbage i kølekredsløbene, hvilket kan forårsage en unormal stigning til højt tryk, et unormalt fald til lavt tryk, forringelse af frysemaskinens olie pga. fugt etc.
 - Hvis stopventilerne forbliver lukkede og enheden sættes i drift, vil kompressoren og kontrolventilen blive beskadiget.
 - Brug en lækage detektor eller sæbevand til at kontrollere for gaslækage på udendørs enhedens rørforbindelser.
 - Der må ikke foretages gennemskylning af kølemiddelrørene med kølemidlet fra enheden for at fjerne luft fra rørene.
 - Efter afslutning af ventilarbejdet fastspændes ventilhætterne med det korrekte moment: 20 til 25 N·m (200 til 250 kgf·cm). Hvis hætterne ikke sættes på igen og spændes, kan der opstå kølemiddellækage. Desuden må ventilhætterne ikke blive beskadiget indvendigt, da de fungerer som tætning for at forhindre kølemiddellækage.
- Brug tætningsmiddel til at tænde enderne af isoleringsmaterialet omkring rørsæktionerne for at forhindre, at der kommer vand ind i isoleringsmaterialet.

4. Montering af kølemiddelrør



- A Stopventil <væskeside>
 B Stopventil <gasside>
 C Serviceport
 D Abne/lukke-sektion
 E Pladsmonteret rør
 F Tætnet, samme vej for gasside
 G Rørbeklædning

Fig. 4-4

(1)

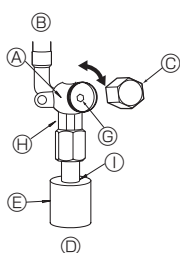


Fig. 4-5

- A Ventil
 B Enhedsside
 C Slutmuffe
 D Pladsmonteret rørside
 E Slutmuffe
 F Serviceport
 G Hul til nøgle

(2)

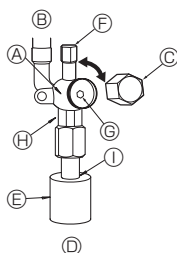
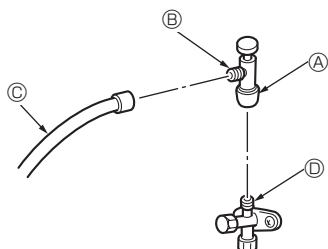


Fig. 4-6

- H Dobbelt nøgle
 (Anvend ikke andre nøgler på dette sted. Der kan opstå kølemiddellækager.)
 I Tætning
 (Tætn enden af det varmeisolerende materiale ved rørforbindelsen med forhåndenværende tætningsmateriale, så der ikke trænger vand ind i det varmeisolerende materiale.)



- * Tallet til venstre er kun et eksempel. Stopventilens form, serviceportens placering etc. kan variere afhængigt af model.
 * Drej kun sektion A.
 (Spænd ikke sektionerne A og B yderligere sammen.)
 C Påfyldningsslange
 D Serviceport

Fig. 4-7

4.6. Tilsætning af kølemiddel

- Det er ikke nødvendigt med ekstra påfyldning af denne enhed, hvis rørlængden ikke overstiger 30 m.
- Hvis rørlængden er over 30 m, skal enheden påfyldes yderligere R32-kølemiddel ud fra tallene for tilladte rørlængder i skemaet nedenfor.
- * Når enheden er stoppet, påfyldes enheden med det ekstra kølemiddel gennem væskestopventilen, efter at rørforlængelserne og indendørs enheden er påført vakuum.
- Når enheden er i drift, tilføres kølemiddel gennem gaskontrolventilen ved hjælp af en sikkerheds-påfyldningsenhed. Tilfør ikke kølemiddel i væskeform direkte gennem kontrolventilen.
- * Efter påfyldning af enheden med kølemiddel skal den tilførte mængde kølemiddel noteres på servicemærkaten (fastgjort på enheden). Referer til "1.5. Anvendelse af klimaanlæg med R32 kølemiddel" for yderligere information.

4.4. Metode til lufttæthedstest for kølemiddelrør (Fig. 4-4)

- (1) Tilslut testværktøjet.
- Kontrollér at stopventilerne A B er lukkede og sørg for ikke at åbne dem.
 - Påfør tryk på kølemiddelrørene gennem servicepunktet C på væskestopventilen A.
- (2) Påfør ikke hele det specificerede tryk på én gang, men lidt efter lidt.
- 1 Påfør tryk til 0,5 MPa (5 kgf/cm²G), vent 5 minutter, og kontrollér at trykket ikke falder.
 - 2 Påfør tryk til 1,5 MPa (15 kgf/cm²G), vent 5 minutter, og kontrollér at trykket ikke falder.
 - 3 Påfør tryk til 4,15 MPa (41,5 kgf/cm²G) og mål den omgivende temperatur og kølemiddeltrykket.
- (3) Hvis det specificerede tryk holder i ca. 1 dag og ikke falder, er der ingen lækage og rørene kan godkendes.
- Hvis den omgivende temperatur ændres med 1°C, vil trykket ændres med ca. 0,01 MPa (0,1 kgf/cm²G). Foretag de nødvendige korrektioner.
- (4) Hvis trykket falder i trin (2) eller (3), er der en gaslækage. Søg efter kilden til gaslækagen.

4.5. Stopventil, åbnemetode

Åbningsmetoden for stopventilen varierer afhængigt af udendørsenhedsmodel. Brug den relevante metode til åbning af stopventilerne.

(1) Gasside (Fig. 4-5)

- 1 Fjern dækslet, og drej ventilspindlen mod uret så langt som muligt vha. en 5 mm sekskantet skruenøgle. Stop med at dreje, når den når stopperen (Ø15,88: ca. 13 omgang)
- 2 Kontrollér, at stopventilen er helt åben og drej hættten tilbage til den oprindelige position.

(2) Væskeside (Fig. 4-6)

- 1 Fjern dækslet, og drej ventilspindlen mod uret så langt som muligt vha. en 4 mm sekskantet skruenøgle. Stop med at dreje, når den når stopperen (Ø9,52: ca. 10 omgang).
- 2 Kontrollér, at stopventilen er helt åben, skub håndtaget ind og drej hættten tilbage til den oprindelige position.

Kølemiddelrør er forsynet med beskyttelsesbeklædning

- Rørene kan omvikles med beskyttelsesbeklædning op til en diameter på Ø90 før eller efter rørene forbindes. Skær udsparringen i rørbeklædningen ud ved at følge rillen og vikl beklædningen omkring rørene.

Røringgangsåbning

- Brug kit eller tætningsmiddel til at tæne røringgangsåbningen omkring rørene, så der ikke er nogen åben spalte.
(Hvis spalterne ikke lukkes, kan der blive udsendt støv eller der kan komme vand og støv ind i enheden, hvilket kan resultere i nedbrud.)

Forholdsregler ved brug af påfyldningsventilen (Fig. 4-7)

Spænd ikke serviceporten for kraftigt under installation. Ventilindsatsen kan blive deformet eller blive løs og forårsage udsivning af gas.

Når sektion B er placeret i den ønskede retning, drejes kun sektion A, hvorefter den spændes.
Spænd ikke sektionerne A og B yderligere sammen, efter spænding af sektion A.

⚠ Advarsel:

Tilslut omhyggeligt rørene, før kompressoren startes, når enheden installeres.

- Vær forsigtig ved installation af flere enheder. Hvis der forbindes til en ukorrekt indendørs enhed, kan der opstå unormalt højt tryk, hvilket kan have en kraftig negativ effekt på enhedens ydelse.
- Vedligeholdende genopfyldning af R32: Før enheden genopfyldes med R32, skal det sikres, at strømmen til enheden er fuldstændigt afbrudt for at forhindre eksplosion som følge af elektriske gnister.

Modeller	Tilladt rørlængde	Tilladt lodret difference	Ekstra kølemiddelpåfyldningsmængde					©Maksimal mængde kølemiddel
			31 - 40 m	41 - 50 m	51 - 55 m	56 - 60 m	61 - 65 m	
M100	- 55 m	- 30 m	0,4 kg	0,8 kg	1,0 kg	—	—	4,1 kg
M125, 140	- 65 m	- 30 m	0,4 kg	0,8 kg	1,0 kg	1,2 kg	1,4 kg	5,0 kg

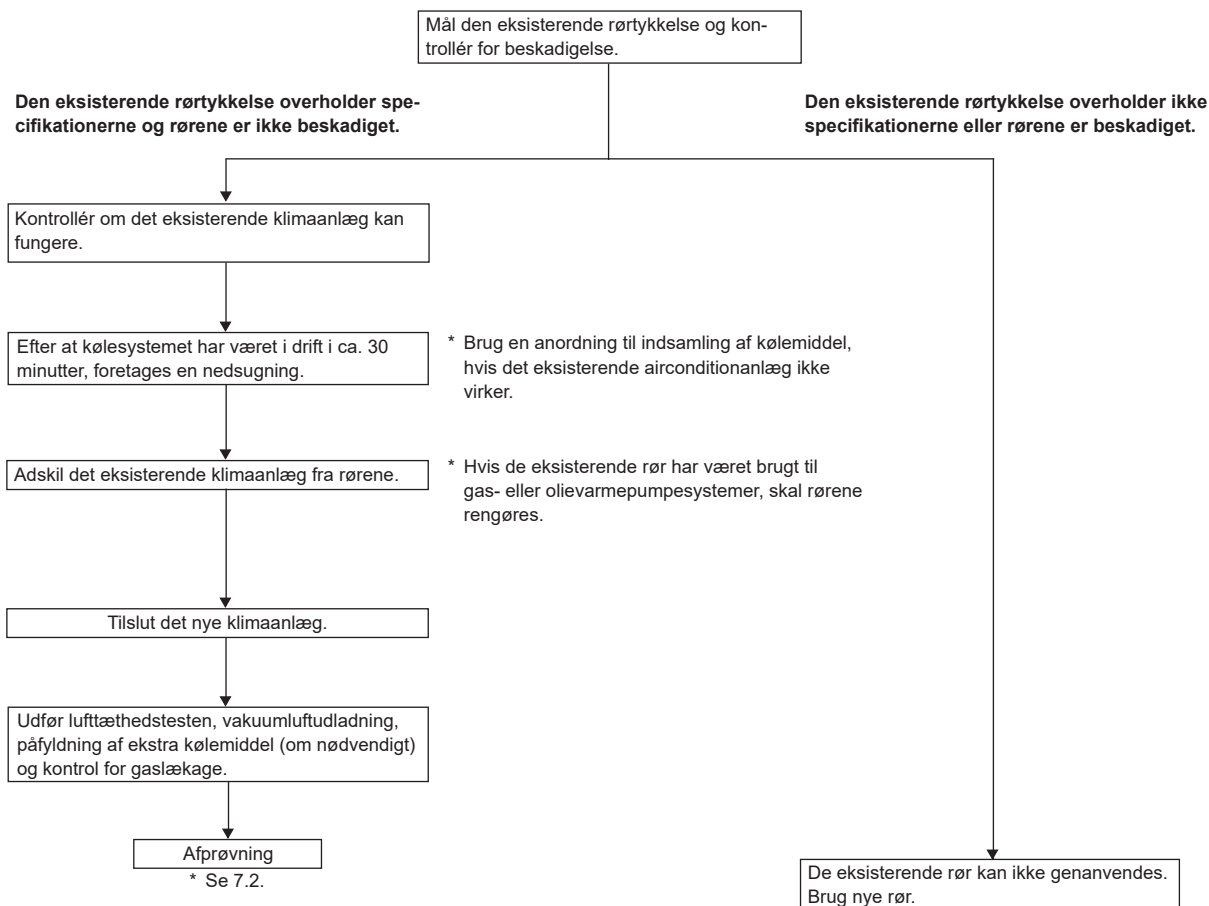
4. Montering af kølemiddellør

Kølemiddelpåfyldningsmængde (kg) for mindre end 30 m (Mængdefri rørlængde)

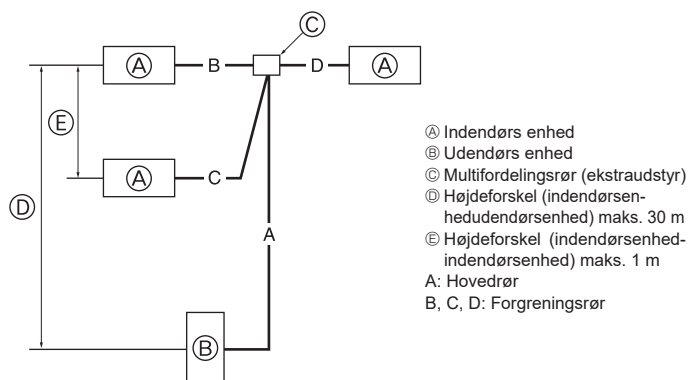
Udendørs enhed	5 m og derunder	6 - 10 m	11 - 15 m	16 - 20 m	21 - 25 m	26 - 30 m
M100	2,0	2,2	2,4	2,6	2,8	3,1
M125, 140	2,6	2,8	3,0	3,2	3,4	3,6

4.7. Forholdsregler ved anvendelse af eksisterende R22 kølemiddellør

- Referer til nedenstående strømningsdiagram for at bestemme, om de eksisterende rør kan bruges, og om der er nødvendigt at bruge en filtertørrer.
- Hvis diameteren af de eksisterende rør er forskellig fra den specificerede diameter, refereres til de tekniske data for at bekræfte, om rørene kan bruges.



<Begrænsning for installation af kølemiddellør>



M100 : $A+B+C (+D) \leq 55$ m
 M125, 140 : $A+B+C (+D) \leq 65$ m
 * "D" er for tredobbelt.

Fig. 4-8

4.8. Til dobbelt/tredobbelt kombination (Fig. 4-8)

- Når denne enhed bruges som en FRIT SAMMENSAT FLERSYSTEMS-enhed, skal kølemiddellørene installeres med de restriktioner, der er angivet på tegningen til venstre. Hvis restriktionerne derudover vil blive overskredet, eller hvis der skal være en kombination af indendørs og udendørs enheder, henvises til installationsinstruktionerne til den indendørs enhed for detaljer omkring installationen.

Udendørs enhed	Den tilladte totale rørlængde A+B+C+D	B eller C eller D	Påfyldning, mindre rørlængde A+B+C+D
M100	55 m og derunder	20 m og derunder	30 m og derunder
M125, 140	65 m og derunder	20 m og derunder	30 m og derunder

Udendørs enhed	B-C eller B-D eller C-D	Antal bøjninger
M100-140	8 m og derunder	Inden for 15

5. Føring af drænrør

Udendørs enheds drænrørsforbindelser

Når føring af drænrør er nødvendigt, anvend da en drænsokkel eller drænbakke (ekstraudstyr).

	M100-140
Drænsokkel	PAC-SG61DS-E
Drænbakke	PAC-SH97DP-E

6. Elektrisk arbejde

6.1. Udendørs enhed (Fig. 6-1, Fig. 6-2)

- ① Afmonter servicepanelet.
- ② Før kablerne som angivet i Fig. 6-1 og Fig. 6-2.

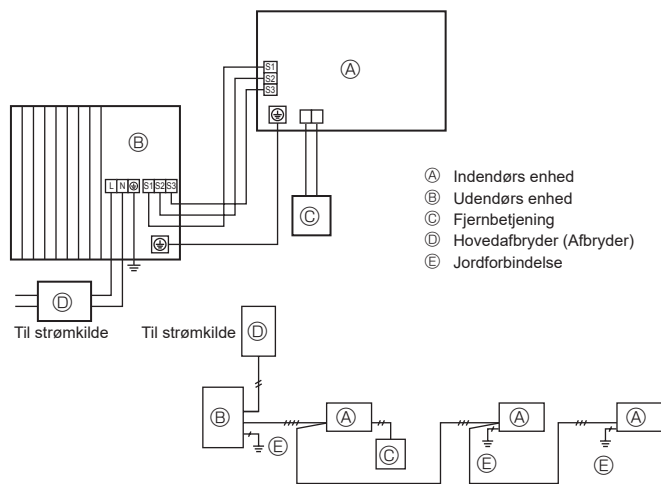


Fig. 6-1

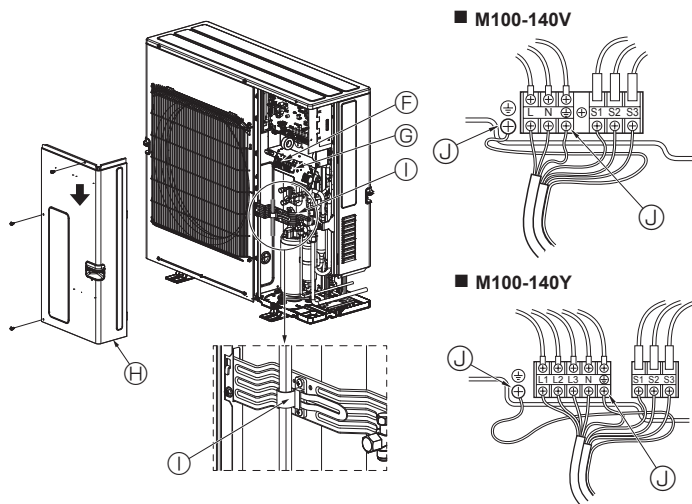


Fig. 6-2

- F Klemkasse
- G Indendørs/udendørs tilslutning til klemrække (S1, S2, S3)
- H Servicepanel
- I Klamme
- * Fastgør kablerne, så de ikke kan berøre midten af servicepanelet eller gasventilen.
- Ⓧ Jordforbindelsesklemme

Bemærkning:

Hvis den beskyttende plade til den elektriske boks fjernes under udførelse af eftersyn, skal du sørge for at sætte den på igen.

⚠ Forsigtig:

Sørg for at installere N-ledningen. Uden N-ledningen kan enheden blive beskadiget.

6. Elektrisk arbejde

6.2. Elektrisk ledningsføring i marken

Model, udendørs enhed	M100, 125V	M140V	M100, 125, 140Y
Udendørs enhed strømforsyning	~/N (Enkelt), 50 Hz, 230 V	~/N (Enkelt), 50 Hz, 230 V	3N~ (3-faset, 4-ledninger), 50 Hz, 400 V
Udendørsenheds indgangsstrømkapacitet Hovedkontakt (Afbryder)	*1 32 A	40 A	16 A
Ledningsføring Ledning nr. x størrelse (mm ²)	Udendørs enhed strømforsyning	3 × Min. 6	5 × Min. 1,5
	Indendørs enhed-Udendørs enhed	*2 3 × 1,5 (Polær)	3 × 1,5 (Polær)
	Indendørs/udendørs enhed, jordforbindelse	*2 1 × Min. 1,5	1 × Min. 1,5
	Fjernbetjening-indendørs enhed	*3 2 × 0,3 (Ikke-polær)	2 × 0,3 (Ikke-polær)
Kredsløbskapacitet	Udendørs enhed L-N (Enkelt)	230 VAC	230 VAC
	Udendørs enhed L1-N, L2-N, L3-N (3-faset)	*4 230 VAC	230 VAC
	Indendørs enhed-Udendørs enhed S1-S2	*4 230 VAC	230 VAC
	Indendørs enhed-Udendørs enhed S2-S3	*4 24 VDC	24 VDC
	Fjernbetjening-indendørs enhed	*4 12 VDC	12 VDC

*1. Brug en jordafledningsafbryder (NV) med en kontakttadskillelse på mindst 3,0 mm på hver pol.

Sørg for, at strømlækageafbryderen er kompatibel med højere harmoni.

Brug altid en strømlækageafbryder, der er kompatibel med højere harmoni, da denne enhed er udstyret med en omformer.

Anvendelse af en utilstrækkelig afbryder kan forårsage ukorrekt funktion af vekselretteren.

*2. Maks. 45 m

Hvis der bruges 2,5 mm², maks. 50 m

Hvis der bruges 2,5 mm² og S3 separeret, maks. 80 m

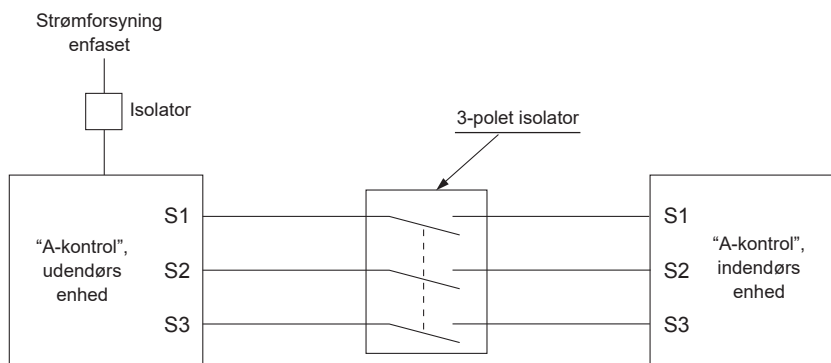
*3. Der er monteret en 10 m ledning til fjernbetjeningen.

*4. Tallene er IKKE altid i forhold til jorden.

S3-klemmen har 24 VDC i forhold til S2-klemmen. Mellem S3 og S1 er disse klemmer IKKE elektrisk isolerede af transformeren eller andre enheder.



- Bemærkninger:**
1. Ledningsdimensioner skal være i overensstemmelse med gældende lokale og nationale normer.
 2. Ledningerne mellem strømforsyningen og indendørs-/udendørsenheden må ikke være lettere end kappebeklædte, bøjelige polychlopropen-ledninger (60245 IEC 57).
 3. Brug en jordet ledning, som er længere end de andre, således at den ikke afbrydes, når der tilsluttes spænding.
 4. Brug selvslukkende distributionskabler til strømforsyningsledninger.
 5. Før ledninger korrekt, så de ikke kommer i kontakt med plademetalkanten eller en skruespids.



⚠ Advarsel:

- I tilfælde af A-styringsledningsføring er der et højspændingspotential på S3-terminalen forårsaget af det elektriske kredsløbs design, der ikke har elektrisk isolering mellem højspændingsledningen og kommunikationssignalledningen. Sluk derfor for hovedstrømforsyningen under servicearbejde, og rør ikke ved terminal S1, S2 og S3, når strømforsyningen er aktiveret. Hvis der skal anvendes en ledningsadskiller mellem indendørsenhed og udendørsenhed, skal det være en 3-polet ledningsadskiller.

Sammensplejs aldrig netkablet eller kablet til indendørs-udendørs-forbindelsen, da dette kan medføre røgudvikling, brand eller kommunikationsfejl.

Sørg for at forbinde indendørs-udendørs forbindelseskablerne direkte til enhederne (ingen mellemliggende forbindelser).

Mellemliggende forbindelser kan medføre kommunikationsfejl, hvis der kommer vand ind i kablet og forårsager utilstrækkelig isolering imod jord eller ringe elektrisk kontakt ved det mellemliggende forbindelsespunkt.

7. Afprøvning

7.1. Før afprøvning

- Efter installation, ledningsføring og rørføring af indendørs og udendørs enheder er afsluttet, kontroller da for udsivning af kølemiddel, om ledningsføring til strømforsyning eller styring er løs og for fejlagtig polaritet, samt at der ikke er afbrydelse af én fase i strømforsyningen.
- Brug et 500-Volts megaohmmeter for at kontrollere at modstanden mellem strømforsyningsklemmerne og jordforbindelsen er mindst 1 MΩ.
- Udfør ikke denne test på styreledningsføringen (lavspændingskredsløb) klemmer.

⚠ Advarsel:

Brug ikke aircondition-enheden, hvis isoleringsmaterialets modstand er mindre end 1 MΩ.

Isoleringsmodstand

Efter installationen eller efter at strømforsyningen har være afbrudt i længere tid, vil isoleringsmodstanden falde til under 1 MΩ på grund af akkumulering af kølemiddel i kompressoren. Dette er ikke en fejlfunktion. Udfør følgende procedurer.

1. Afmonter ledningerne fra kompressoren og mål kompressorens isoleringsmodstand.
2. Hvis isoleringsmodstanden er under 1 MΩ, er der fejl ved kompressoren eller modstanden er faldet på grund af akkumuleringen af kølemiddel i kompressoren.
3. Når ledningerne er tilsluttet til kompressoren igen, vil kompressoren begynde at varme op, efter at strømmen er tilsluttet. Efter at have tilført strøm i de tider, der angivet nedenfor, måles isoleringsmodstanden igen.

- Isoleringsmodstanden falder på grund af akkumuleringen af kølemiddel i kompressoren. Modstanden vil stige til over 1 MΩ efter at kompressoren har varmet op i 4 timer.
(Den nødvendige tid til opvarmning af kompressoren varierer afhængig af de atmosfæriske betingelser og akkumuleringen af kølemiddel).
 - For at drive kompressoren med akkumuleret kølemiddel i kompressoren, skal den varmes op i mindst 12 timer for at forhindre nedbrud.
4. Hvis isoleringsmodstanden stiger over 1 MΩ, er der ingen fejl ved kompressoren.

⚠ Forsigtig:

- **Kompressoren kører kun, hvis strømforsyningens faseforbindelse er korrekt.**
 - **Tænd for anlægget mindst 12 timer før testkørslen.**
- Start af driften lige efter, at der er tændt for anlægget, kan resultere i alvorlig skade på de interne dele. Strømkontakten skal stå på ON i hele driftsperioden.

► Følgende punkter skal desuden kontrolleres.

- Der er ingen fejl ved udendørs enheden. LED1 og LED2 på kontrolpanelet på udendørs enheden blinker, når der er fejl ved udendørs enheden.
- Både gas- og væskestopventilen er helt åben.
- Et beskyttelsesdæksel dækker overfladen af vippekontakt-panelet på kontrolpanelet på udendørs enheden. Fjern beskyttelsesdækslet for nemt at betjene vippekontaktterne.

7.2. Afprøvning

7.2.1. Brug af SW4 på udendørs enhed

SW4-1	ON	Kølefunktion
SW4-2	OFF	
SW4-1	ON	Opvarmningsfunktion
SW4-2	ON	

- * Efter at have udført prøvekørslen, indstilles SW4-1 til OFF.
- Efter tilslutning af strøm kan der evt. høres en svag klikkelyd fra det indvendige af udendørs enheden. Den elektroniske ekspansionsventil åbner og lukker. Der er ingen fejl ved enheden.
- Nogle få sekunder efter at kompressoren er startet, kan der evt. høres en klirrende lyd fra det indvendige af udendørs enheden. Lyden kommer fra kontrolventilen på grund af en lille trykforskel i rørene. Der er ingen fejl ved enheden.

Testkørsels-modusen kan ikke ændres med vippekontakt SW4-2 under testkørslen. (For at ændre testkørsels-modusen under testkørslen, stoppes testkørslen ved hjælp af vippekontakt SW4-1. Efter ændring af testkørsels-modusen genoptages testkørslen med kontakt SW4-1.)

7.2.2. Brug af fjernstyringen

Referer til indendørs enhedens installationsmanual.

Bemærk:

Af og til kan den damp, der opstår ved afrimningen, få det til at se ud som om, at kommer røg fra den udendørs enhed.

8. Specielle funktioner

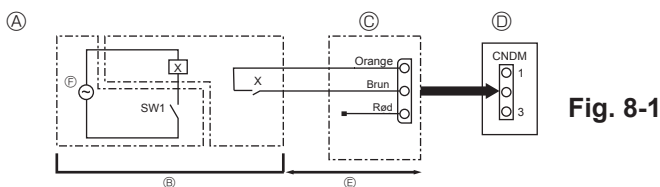


Fig. 8-1

- Ⓐ Kredsløbsdiagram eksempel ("Low noise" modus)
- Ⓑ På-stedet arrangement
- Ⓒ Ekstern inputadapter (PAC-SC36NA-E)
- Ⓓ Udendørs enheds kontrolpanel
- Ⓔ Maks. 10 m
- Ⓕ Strømforsyning til relæ
- X: Relæ

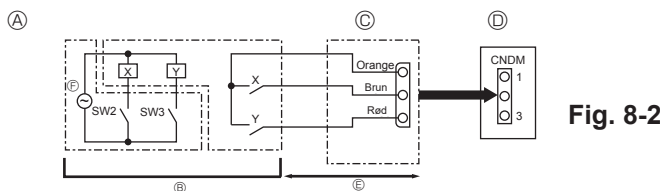


Fig. 8-2

- Ⓐ Kredsløbsdiagram eksempel (Behovsfunktion)
- Ⓑ På-stedet arrangement
- Ⓒ Ekstern inputadapter (PAC-SC36NA-E)
- Ⓓ Udendørs enheds kontrolpanel
- Ⓔ Maks. 10 m
- Ⓕ Strømforsyning til relæ
- X, Y: Relæ

8.1. Low noise modus (ændring på stedet) (Fig. 8-1)

Ved at udføre følgende ændring kan driftsstøjen fra udendørs enheden reduceres med ca. 3-4 dB.

"Low noise" modusen vil blive aktiveret, når en kommercielt tilgængelig timer eller kontaktinputtet fra en ON/OFF kontakt tilføjes til CNDM-stikket (sælges separat) på kontrolpanelet på udendørs enheden.

- Reduktionsevnen varierer med udendørstemperaturen, vejrtilstandene osv.
- ① Afslut kredsløbet som vist ved anvendelse af den eksterne inputadapter (PAC-SC36NA-E). (Sælges separat)
- ② SW7-1 (Strømforsyning til relæ): OFF
- ③ SW1 ON: "Low noise" modus
SW1 OFF: Normal drift

8.2. Behovsfunktion (modifikation på stedet) (Fig. 8-2)

Når følgende modifikation udføres, kan energiforbruget reduceres til 0-100% af det normale forbrug.

Behovsfunktionen aktiveres, når en almindelig timer eller kontaktindgangen fra en ON/OFF-kontakt tilføjes CNDM-stikket (sælges separat) på udendørsenhedens styrekort.

- ① Afslut kredsløbet som vist ved anvendelse af den eksterne inputadapter (PAC-SC36NA-E). (Sælges separat)
- ② Ved at indstille SW7-1 på udendørsenhedens styrekort kan energiforbruget begrænses (i forhold til det normale forbrug) som vist herunder.

	SW7-1	SW2	SW3	Energiforbrug
Behovsfunktion	ON	OFF	OFF	100%
		ON	OFF	75%
		ON	ON	50%
		OFF	ON	0% (Stop)

da

8. Specielle funktioner

8.3. Opsamling af kølemiddel (nedpumpning)

Gennemfør følgende procedurer for at opsamle kølemidlet, når indendørs eller udendørs enheden flyttes.

① Tilslut strøm (hovedafbryder).

* Når strømmen er tilsluttet, skal det kontrolleres at "CENTRALLY CONTROLLED" ikke vises på fjernbetjeningen. Hvis "CENTRALLY CONTROLLED" vises, kan opsamlingen af kølemidlet (ned sugning) ikke udføres normalt.

* Opstart af indendørs-udendørs-kommunikation tager ca. 3 minutter, efter at der er tændt for strømmen (hovedafbryder). Start nedpumpningsfunktionen 3 til 4 minutter efter, at der er tændt for strømmen (hovedafbryder).

② Efter at væskestopventilen er lukket, sættes SWP-kontakten på kontrolpanelet på udendørs enheden til ON. Kompressoren (udendørs enhed) og ventilatorerne (indendørs og udendørs enhed) starter og opsamlingen af kølemidlet begynder. LED1 og LED2 på kontrolpanelet på udendørs enheden er tændt.

* Sæt kun SWP-kontakten (trykknop-type) til ON, hvis enheden er stoppet. Imidlertid kan kølemiddelopsamlingen ikke gennemføres, selvom enheden er stoppet og SWP-kontakten sættes til ON mindre end 3 minutter efter at kompressoren stopper. Vent til kompressoren har været stoppet i 3 minutter og sæt derefter SWP-kontakten til ON igen.

③ Luk gasstopventilen hurtigt, da enheden automatisk stopper efter ca. 2 til 3 minutter, når kølemiddelopsamlingen er gennemført (LED1 slukket, LED2 lyser). Hvis LED1 lyser, LED2 er slukket, og den udendørs enhed er stoppet, er kølemiddelopsamlingen ikke udført korrekt. Åbn væskestopventilen helt, og gentag trin ② efter 3 minutter.

* Hvis opsamlingen af kølemiddel er gennemført normalt (LED1 slukket, LED2 lyser), forbliver enheden stoppet, til der slukkes for strømforsyningen.

④ Afbryd strømmen (hovedafbryder).

* Bemærk, at en nedpumpning muligvis ikke kan udføres, hvis forlængerrøret er meget langt og indeholder en stor mængde kølemiddel. Ved udførelse af en udpumpningsdrift skal det kontrolleres, at det lave tryk er sænket til tæt ved 0 MPa (måler).

⚠ Advarsel:

Ved nedpumpning af kølemiddel skal kompressoren stoppes, før kølerørerne afmonteres. Kompressoren kan revne, hvis der kommer luft eller lignende ind i den.

9. Systemkontrol (Fig. 9-1)

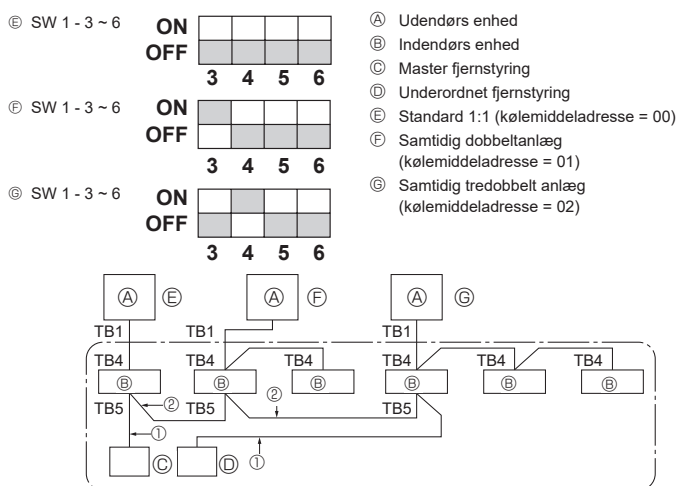


Fig. 9-1

* Indstil kølemiddeladressen ved hjælp af dip-switchen på den udendørs enhed.

① Ledningsføring fra fjernstyringen

Denne ledning er tilsluttet TB5 (klemmerække til fjernstyring) på den indendørs enhed (ikke-polær).

② Når der anvendes en anden gruppering for kølemiddelsystemet.

Indtil 16 kølemiddelsystemer kan styres som én gruppe ved hjælp af den smalle MA fjernstyring.

Bemærk:

I et enkelt kølemiddelsystem (to/tredobbelt) er ledningsføring ikke nødvendig ②.

SW1
Funktionsskema



	Funktion	Drift afhængig af kontaktindstilling	
		ON	OFF
SW1-funktion-sindstillinger	1 Obligatorisk afrimning	Start	Normal
	2 Sletning af fejloversigt	Slet	Normal
	3 Indstilling af adresse for kølemiddelsystem	Indstillinger af adresser 0 til 15 for udendørsenhed	
	4		
	5		
	6		

Innehåll

1. Säkerhetsåtgärder.....	1	6. Elektriska arbeten.....	10
2. Placering.....	2	7. Provkörning.....	12
3. Installation av utomhusenhet.....	6	8. Specialfunktioner.....	12
4. Installera kylmedelsrör.....	6	9. Systemkontroll (Fig. 9-1).....	13
5. Dräneringsrör.....	10		



Obs: Den här symbolen gäller enbart EU-länder.

Denna symbol är i enlighet med direktiv 2012/19/EU artikel 14, Information till användarna, och bilaga IX.

Denna produkt från MITSUBISHI ELECTRIC är designad och tillverkad av material och komponenter med hög kvalitet som kan återvinnas och återanvändas.

Denna symbol betyder att elektriska och elektroniska produkter, efter slutanvändande, skall sorteras och hanteras separat från Ditt hushållsavfall.

Var snäll och lämna denna produkt hos Din lokala mottagningstation för avfall och återvinning.

Inom den Europeiska Unionen finns det separata insamlingsystem för begagnade elektriska och elektroniska produkter.

Var snäll och hjälp oss att bevara miljön vi lever i!

⚠ Försiktighet:

- Släpp inte ut R32 i atmosfären.

1. Säkerhetsåtgärder

- ▶ Innan du installerar enheten bör du läsa igenom samtliga "Säkerhetsåtgärder".
- ▶ Se till att elsystemets ansvarige underrättas och ger sitt godkännande innan systemet kopplas in.
- ▶ PUZ-M•Y är utformad för komersiell och lätt industriell användning.
- ▶ Utrustning som uppfyller IEC/EN 61000-3-12 (PUZ-M100/125/140V)

⚠ Varning:

Anger försiktighetsmått som bör vidtas för att förhindra att användaren utsätts för fara eller risk.

⚠ Försiktighet:

Beskriver säkerhetsåtgärder som bör följas för att undvika att enheten skadas.

VAD SYMBOLERNA SOM VISAS PÅ ENHETEN BETYDER

	VARNING (Brandrisk)	Denna märkning gäller bara för köldmediet R32. Köldmedietyper är skriven på utomhusenhetens namnplåt. Ifall köldmedietyper är R32 används ett lättantändligt köldmedium i denna enhet. Om köldmediet läcker ut och kommer i kontakt med eld eller uppvärmningskomponenterna kommer det att bildas en farlig gas och brandrisk föreligger.
	Läs DRIFTSMANUALEN noggrant före användning.	
	Servicepersonal måste läsa DRIFTSMANUALEN och INSTALLATIONSHANDBOKEN noggrant före användning.	
	Mer information finns i DRIFTSMANUALEN, INSTALLATIONSHANDBOKEN och liknande.	

⚠ Varning:

- Enheten får inte installeras av användaren. Be en återförsäljare eller behörig tekniker installera och reparera enheten. Felaktig installation av enheten kan orsaka vattenläckage, elektriska stötar eller brand.
- Vid installation eller flytt, följ anvisningarna i installationsanvisningen och använd verktyg och rörkomponenter som är gjorda för att användas med köldmedlet R32. Om man använder rörkomponenter som inte är konstruerade för köldmedlet R32 och enheterna inte installerats på rätt sätt, kan rören spricka och orsaka person- och maskinskador. Dessutom kan detta orsaka vattenläckage, elektriska stötar eller brand.
- Enheten ska installeras enligt anvisningarna för att risken för skador från jordbävningar, tyfoner och kraftig vind ska minimeras. En felaktigt installerad enhet kan falla ned och orsaka person- och maskinskador.
- Enheten måste fästas säkert på en konstruktion som kan bära dess vikt. Om enheten monteras på en instabil konstruktion, kan den falla ned och orsaka person- och maskinskador.
- Om luftkonditioneringen installeras i ett litet rum, måste man vidta åtgärder för att förhindra att köldmedelskoncentrationen i rummet överskrider säkerhetsgränsen i händelse av ett läckage. Rådfråga en återförsäljare om vilka åtgärder som måste vidtas för att förhindra att den tillåtna koncentrationen överskrider. Om köldmedlet läcker ut och gör att koncentrationen överskrider gränsen, kan risker uppstå på grund av syrebrist i rummet.
- Vädra rummet om köldmedel läcker ur vid drift. Om köldmedel kommer i kontakt med öppen låga kan giftiga gaser utvecklas.
- Alla elarbeten måste utföras av behörig tekniker enligt lokala föreskrifter och anvisningarna i denna manual. Enheterna måste matas via därför avsedda elledningar. Rätt spänning och överspänningsskydd måste användas. För klena elledningar eller felaktiga elinstallationer kan orsaka elektriska stötar eller brand.
- Använd C1220 koppar/fosfor till skarvfria rör av koppar eller kopparlegering för anslutning av kylmedelsrören. Om rören inte ansluts på rätt sätt, blir enheten inte ordentligt jordad och detta kan orsaka elektriska stötar.
- Denna apparat är avsedd att användas av kunniga eller utbildade personer i butiker, lättare industrier, inom lantbruk eller kommersiellt av lekmän.
- Använd endast angivna kablar för anslutning. Anslutningarna måste göras på ett säkert sätt utan spänningar i terminalanslutningarna. Kablarna får aldrig skarvas (om inget annat anges i detta dokument). Om instruktionerna inte följs kan det leda till överhettning eller brand.
- Om nätströmssladden skadas måste den bytas av tillverkaren, dennes serviceombud eller annan person med liknande kvalifikationer för att undvika risker.
- Anläggningen ska installeras i enlighet med de nationella bestämmelserna rörande ledningsdragnings.
- Skyddet för kopplingsplinten på utomhusenheten måste fästas ordentligt. Om skyddet monteras på fel sätt och om damm och fukt tränger in i enheten, kan detta orsaka elektriska stötar eller brand.

När installationen är klar, förklara "Säkerhetsåtgärder" för enheten, hur den används och underhålls för kunden enligt informationen i bruksanvisningen och utför provkörningen för att kontrollera att den fungerar som den ska. Användaren ska behålla både installationsanvisningen och bruksanvisningen. Dessa manualer ska lämnas över till kommande användare.

⚡ : Indikerar en del som måste jordas.

⚠ Varning:

Läs noga texten på alla dekaler på huvudenheten.

⚡ : Indikerar varningar och försiktighetsåtgärder vid användning av köldmedlet R32.

- När du installerar, flyttar eller utför service på luftkonditioneringen får endast det angivna kylmedlet (R32) användas för att ladda kylmedelsrören. Blanda inte med andra kylmedel och låt inte luft vara kvar i rören. Om luft blandas med kylmedel kan det orsaka onormalt högt tryck i kylmedelsrören, vilket kan leda till explosion och andra faror. Användning av annat kylmedel än det som specificeras för systemet orsakar mekaniska fel, systemfel eller haveri. I värsta fall kan det leda till en allvarlig brist som hotar produktens säkerhet.
- Använd endast tillbehör som är godkända av Mitsubishi Electric och be en återförsäljare eller behörig tekniker installera dem. Felaktig installation av tillbehör kan orsaka vattenläckage, elektriska stötar eller brand.
- Förändra inte enheten. Kontakta en återförsäljare för reparationer. Felaktiga ändringar och reparationer av enheten kan orsaka vattenläckage, elektriska stötar eller brand.
- Användaren ska aldrig försöka reparera eller flytta enheten själv. Felaktig installation av enheten kan orsaka vattenläckage, elektriska stötar eller brand. Om luftkonditioneringen måste repareras eller flyttas, be en återförsäljare eller behörig tekniker.
- När installationen är klar, kontrollera att det inte läcker ut köldmedel. Om det läcker ut köldmedel i rummet och det kommer i kontakt med lågan i en värmare eller campingkök, utvecklas giftiga gaser.
- Försök inte accelerera avfrostningsförloppet eller rengöra på något annat sätt än de som rekommenderas av tillverkaren.
- Utrustningen ska förvaras i ett rum utan antändningskällor som är i kontinuerlig drift (till exempel: öppen låga, gasanordningar eller elektriska värmearordningar).
- Får inte punkteras eller brännas.
- Var uppmärksam på att köldmediet kan vara luktfritt.
- Rörssystem ska skyddas från fysiska skador.
- Installationen av rörssystem bör hållas till ett minimum.
- Nationella gasförordningar måste efterlevas.
- Blockera inga nödvändiga ventilationsöppningar.
- Använd inte lödlegering av lågtemperatursort vid lödning av köldmedelsrören.
- Se till att ventilera rummet tillräckligt då du utför lödningsarbete. Se till så att det inte finns några farliga eller lättantändliga material i närheten. Om du utför arbetet i ett stängt rum, litet rum, eller på en liknande plats, se till så att det inte finns några köldmedelsläckor innan du utför arbetet. Om köldmedelsgaser läcker ut och ansamlas kan de antändas eller ge upphov till giftiga gaser.
- Enheten skall förvaras på en välventilerad yta där rumsstorleken motsvarar den rumsyta som specificeras vid drift
- Håll enheter med brinnande gas, elvärmare och andra eldkällor (gnistkällor) borta från den plats där installation, reparation och annat luftkonditioneringsarbete kommer att utföras. Om köldmedel kommer i kontakt med öppen låga kommer giftiga gaser att utvecklas.
- Rök inte vid arbete eller transport.

1. Säkerhetsåtgärder

1.1. Före installationen

⚠ Försiktighet:

- Använd inte enheten på ovanliga ställen. Om luftkonditioneringen installeras i ett område som utsätts för ånga, flyktiga oljor (inklusive maskinolja) eller svavelhaltiga gaser, eller i områden med hög saltkoncentration som i kustområden, eller områden där enheten kommer att täckas av snö, kan dess prestanda försämrats avsevärt och dess inre delar kan skadas.
- Installera inte enheten där brännbara gaser kan läcka ut, skapas, strömma ut eller ansamlas. Om brännbara gaser ansamlas runt enheten kan det orsaka brand eller explosion.

1.2. Före installationen (flyttning)

⚠ Försiktighet:

- Var mycket försiktig när du transporterar eller installerar enheter. Det krävs två eller flera personer för att hantera enheten, eftersom den väger 20 kg eller mer. Lyft inte i packbanden. Använd skyddshandskar för att ta ut enheten från emballaget och flytta den, då du kan skada dina händer på fenor eller kanterna på andra delar.
- Gör dig av med förpackningsmaterialet på ett säkert sätt. Förpackningsmaterial, som spikar och andra delar av metall eller trä, kan orsaka sticksår och andra skador.

1.3. Före elarbeten

⚠ Försiktighet:

- Montera överspänningsskydd. Om sådana inte monteras, kan det orsaka elektriska stötar.
- Använd tillräckligt grova standardkablar för elledningarna. Annars kan det orsaka kortslutning, överhettning eller brand.
- Vid installation av elledningarna, belasta inte kablarna. Om anslutningarna lossas kan kablarna gå av och det kan orsaka överhettning eller brand.

1.4. Innan du startar provkörningen

⚠ Försiktighet:

- Slå på strömmen minst 12 timmar innan provkörningen startas. Om provkörningen startas omedelbart efter det att strömmen slagits på, kan interna delar skadas allvarligt. Låt strömbrytaren vara inkopplad under driftssäsongen.
- Innan du startar provkörningen, kontrollera att alla paneler, skydd och annan skyddsutrustning är korrekt monterad. Roterande eller heta delar eller högspänningsdelar kan orsaka personskador.

1.5. Använda luftkonditioneringar med köldmedlet R32

⚠ Försiktighet:

- Använd C1220 koppar/fosfor till skarvfria rör av koppar eller kopparlegering för anslutning av kylmedelsrören. Kontrollera att rörens insidor är rena och inte innehåller skadliga föreningar som svavelhaltiga föreningar, oxider, skräp eller damm. Använd rör med angiven tjocklek. (se 4.1.) Observera följande om du återanvänder befintliga rör som innehållit köldmedlet R22.
 - Byt befintliga flänsmuttrar och flänsa ut flänsarna igen.
 - Använd inte tunna rör. (Se 4.1.)
- Lagra de rör som ska användas vid installationen inomhus och håll båda ändarna av rören förseglade tills strax innan du ska löda dem. (Låt knäror osv ligga kvar i förpackningen.) Om damm, skräp eller fukt kommer in i köldmedelsrören, kan detta orsaka försämring av oljan eller kompressorrhaveri.
- Använd olja med ester, eter, alkylbensen (liten mängd) som den köldmedelsolja som används på flänsarna. Om mineralolja blandas med köldmedelsoljan kan detta orsaka försämring av oljan.

- Utomhusenheten skapar kondens vid värmning. Se till att det finns dränering runt utomhusenheten om det finns risk för att sådan kondens orsakar skador.
- Vid installation av enheten i ett sjukhus eller där det finns datakommunikation, var beredd på störande ljud och elektriska störningar. Växelriktare, hushållsapparater, högfrekvent, medicinsk utrustning och utrustning för radiokommunikation kan göra att luftkonditioneringen inte fungerar eller skadas. Luftkonditionering kan även påverka medicinsk utrustning, vilken kan störa vården, och kommunikationsutrustning, vilket kan störa bildkvaliteten.

- Utomhusenhetens fundament och fästen ska kontrolleras regelbundet så att de inte är lösa, har sprickor eller andra skador. Om sådana felaktigheter inte korrigeras, kan enheten falla ned och orsaka person- eller maskinskador.
- Rengör inte luftkonditioneringen med vatten. Det kan orsaka elektriska stötar.
- Dra åt alla flänsmuttrar med en momentnyckel enligt specifikationen. Om de dras åt för hårt, kan flänsmuttrarna gå sönder efter en tid och köldmedel kan läcka ut.

- Jorda enheten. Anslut inte jordledningen till gas- eller vattenledningar, åskledare eller telefonens jordledning. Felaktig jordning av enheten kan orsaka elektriska stötar.
- Använd överspänningsskydd (jordfelsbrytare, frånskiljare (+B-säkring) och helgjutna överspänningsskydd) med angiven kapacitet. Om kapaciteten för överspänningsskyddet är större än angiven kapacitet, kan detta orsaka haveri eller brand.

- Rör inte vid några omkopplare med svettiga händer. Det kan orsaka elektriska stötar.
- Rör inte vid köldmedelsrören med bara händer när enheten är igång. Köldmedelsrören är varma eller kalla beroende på det köldmedel som strömmar genom dem. Om du rör vid rören kan du få frost- eller brännskador.
- Efter körningen, vänta minst fem minuter innan du slår från strömbrytaren. Annars kan det uppstå vattenläckage eller haveri.

- Underhåll ska endast utföras enligt tillverkarens rekommendationer.
- Använd inget annat köldmedel än R32.
- Använd följande verktyg, som är specialkonstruerade för att användas med köldmedlet R32. Det är nödvändigt att använda följande verktyg med köldmedlet R32. Kontakta närmaste återförsäljare om du har några frågor.

Verktyg (till R32)	
Mätklocka	Flänsverktyg
Påfyllningsslang	Instrument för storleksinställning
Gasläckagedetektor	Vakuumpumpadapter
Momentnyckel	Elektronisk väg för köldmedelspåfyllning

- Använd rätt verktyg. Om damm, skräp eller fukt kommer in i köldmedelsrören, kan detta orsaka försämring av köldmedelsoljan.

2. Placering

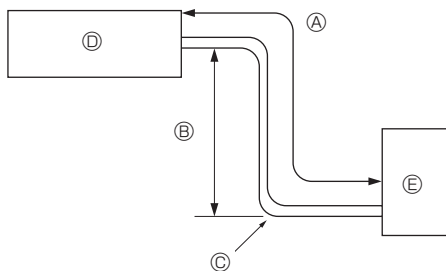


Fig. 2-1

2.1. Kylmedelsrör (Fig. 2-1)

- ▶ Kontrollera att höjdskillnaden mellan inomhus- och utomhusenheterna, längden på kylmedelsrören och antalet krökar på rören är inom de gränser som visas nedan.

Modeller	Ⓐ Rörlängd (en riktning)	Ⓑ Höjdskillnad	Ⓒ Antal krökar (en riktning)
M100	Max. 55 m	Max. 30 m	Max. 15
M125/140	Max. 65 m	Max. 30 m	Max. 15

- Gränserna för höjdskillnaderna är bindande oavsett vilken enhet, inomhus- eller utomhusenheten, som är positionerad högst.

- Ⓓ Inomhusenhet
- Ⓔ Utomhusenhet

2. Placering

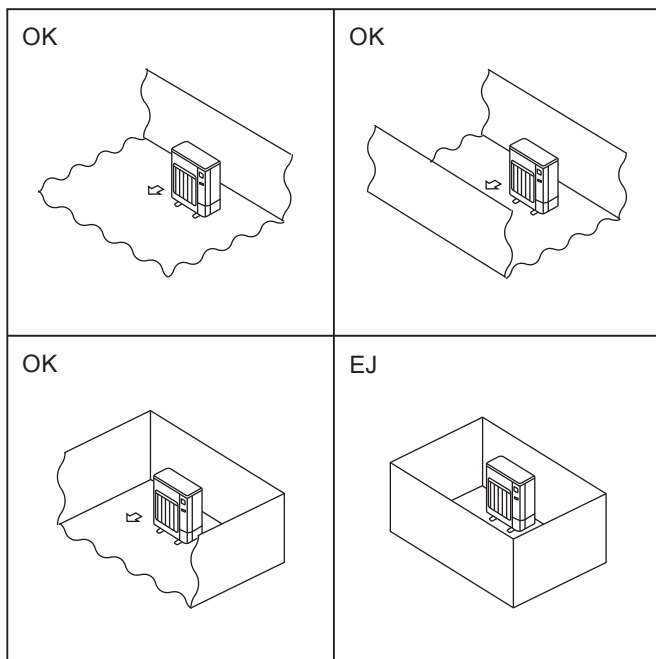


Fig. 2-2

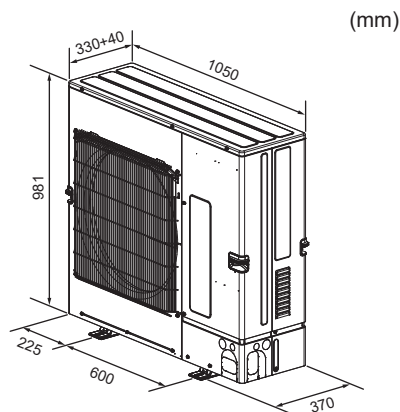


Fig. 2-3

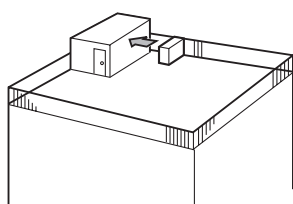


Fig. 2-4

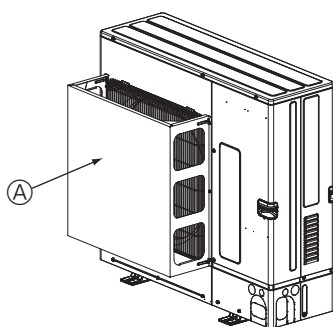


Fig. 2-5

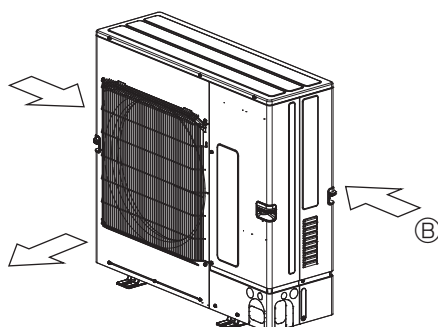


Fig. 2-6

2.2. Välja plats för utomhusenheten

- ⊙ R32 är tyngre än luft – och även andra köldmedel – så det tenderar att ansamlas vid fundamentet (nära golvet). Om R32 ansamlas vid fundamentet kan det uppnå en brandfarlig koncentration ifall rummet är litet. Säkerställ lämplig ventilation, så att enheten inte antänds och arbetsmiljön är säker. Om köldmedelsläckage konstateras i ett rum eller ett område med otillräcklig ventilation ska öppna lågor inte användas förrän lämplig ventilation säkerställs i arbetsmiljön.
- Undvik platser som utsätts för direkt solljus eller andra värmekällor.
- Välj en plats där det ljud som enheten avger inte stör grannarna.
- Välj en plats där det är enkelt att koppla in elledningar och att komma åt rören, spänningskällan och inomhusenheten.
- Undvik platser där brännbara gaser kan läcka ut, skapas, strömma ut eller ansamlas.
- Observera att vatten kan droppa från enheten under drift.
- Välj en vågrät plats som kan bära upp enhetens vikt och klara dess vibrationer.
- Undvik platser där enheten kan täckas av snö. I områden där man kan förvänta sig kraftiga snöfall, måste speciella åtgärder som att höja upp installationen eller installera en huv på luftintaget vidtas, för att förhindra att snön blockerar luftintaget eller blåser in direkt i det. Det kan minska luftflödet, vilket kan orsaka fel.
- Undvik platser som utsätts för olja, ånga eller svavelhaltiga gaser.
- Använd transporthandtagen på utomhusenheten för att transportera enheten. Om man bär enheten under till, kan händer och fingrar klämmas.
- Köldmedelsrörens anslutningar skall vara åtkomliga för underhåll.
- ⊙ Installera utomhusenheter på en tillräckligt stor plats där minst en av de fyra sidorna är öppen och det inte finns några nedsänkningar. (Fig. 2-2)

2.3. Yttre dimensioner (Utomhusenhet) (Fig. 2-3)

2.4. Ventilation och utrymme för underhåll

2.4.1. Installation på blåsiga platser

Vid installation av utomhusenheten på tak eller andra platser som är utsatta för vinden, placera enhetens utblås så att det inte utsätts direkt för kraftig vind. Kraftig vind som kommer in i luftutblåset kan försämra det normala luftflödet, vilket kan orsaka fel. Nedan följer tre exempel på åtgärder mot kraftig vind.

- ① Rikta luftutblåset mot närmaste vägg, cirka 500 mm från väggen. (Fig. 2-4)
- ② Montera en extra luftledare om enheten installeras på en plats där kraftig vind från tyfoner osv kan komma direkt in i luftutblåset. (Fig. 2-5)
 - Ⓐ Luftledare
- ③ Placera om det går enheten så att luftutblåset blåser vinkelrätt mot den säsongsbetingade vindriktningen. (Fig. 2-6)
 - Ⓑ Vindriktning

2.4.2. Vid installation av en enstaka utomhusenhet (Se sista sidan)

De minsta måtten är följande, utom där max. anges vilket står för maximala mått. Hänvisa till siffrorna i enskilda fall.

- ① Enbart hinder på baksidan (Fig. 2-7)
- ② Enbart hinder på baksidan och ovsidan (Fig. 2-8)
- ③ Enbart hinder på baksidan och sidorna (Fig. 2-9)
- ④ Enbart hinder på framsidan (Fig. 2-10)
 - * När ett alternativt luftflödesutlopp används måste säkerhetsavståndet vara 500 mm eller mer.
- ⑤ Enbart hinder på framsidan och baksidan (Fig. 2-11)
 - * När ett alternativt luftflödesutlopp används måste säkerhetsavståndet vara 500 mm eller mer.
- ⑥ Enbart hinder på baksidan, sidorna och ovsidan (Fig. 2-12)
 - Använd inte de extra styrningarna för luftutblåsen för luftflöden uppåt.

2.4.3. Vid installation av flera utomhusenheter (Se sista sidan)

Lämna ett utrymme på 50 mm eller mer mellan enheterna när M100-140 används.

- ① Enbart hinder på baksidan (Fig. 2-13)
- ② Enbart hinder på baksidan och ovsidan (Fig. 2-14)
 - Installera inte fler än tre enheter bredvid varandra. Lämna dessutom avstånd mellan dem enligt bilden.
 - Använd inte de extra styrningarna för luftutblåsen för luftflöden uppåt.
- ③ Enbart hinder på framsidan (Fig. 2-15)
 - * Vid användning av en extra styrning för luftutblåset är avståndet för modellerna M100-140, 1000 mm eller mer.
- ④ Enbart hinder på framsidan och baksidan (Fig. 2-16)
 - * Vid användning av en extra styrning för luftutblåset är avståndet för modellerna M100-140, 1000 mm eller mer.
- ⑤ Uppställning med en enstaka parallell enhet (Fig. 2-17)
 - * När en extra styrning för luftutblåset för luftflöden uppåt används, är avståndet 1000 mm eller mer.
- ⑥ Uppställning med flera parallella enheter (Fig. 2-18)
 - * När en extra styrning för luftutblåset för luftflöden uppåt används, är avståndet 1500 mm eller mer.
- ⑦ Uppställning med staplade enheter (Fig. 2-19)
 - Enheterna kan staplas upp till två på höjden.
 - Installera inte fler än två staplade enheter bredvid varandra. Lämna dessutom avstånd mellan dem enligt bilden.

2. Placering

◎2.5. Minsta installationsområde

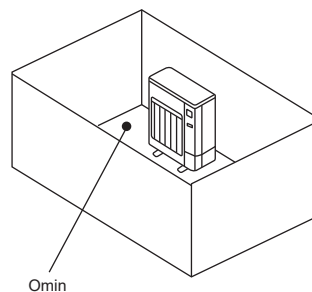
Om du måste installera en enhet på en plats där alla fyra sidor är blockerade eller där det finns nedsänkningar bekräftar du att en av följande situationer (A, B eller C) gäller.

Obs: De här motåtgärderna är till för att upprätthålla säkerheten, men garanterar inte enhetens prestanda enligt inte för att garantera specifikationerna.

A) Se till att du har ett tillräckligt stort installationsutrymme (minsta installationsområde, O_{min}).

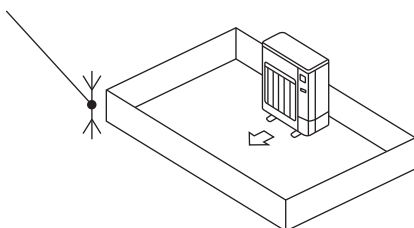
Installera enheten på ett utrymme där installationsområdet är O_{min} eller större. O_{min} motsvarar kvantitet M av köldmedlet (köldmedel som fyllts på i fabriken + lokalt tillfört köldmedel).

M [kg]	O_{min} [m ²]
1,0	12
1,5	17
2,0	23
2,5	28
3,0	34
3,5	39
4,0	45
4,5	50
5,0	56
5,5	62
6,0	67
6,5	73
7,0	78
7,5	84

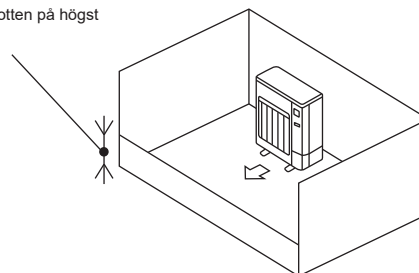


B) Installera på en plats som inte är djupare nedsänkt än $\leq 0,125$ [m].

Höjd från botten på högst
0,125 [m]



Höjd från botten på högst
0,125 [m]

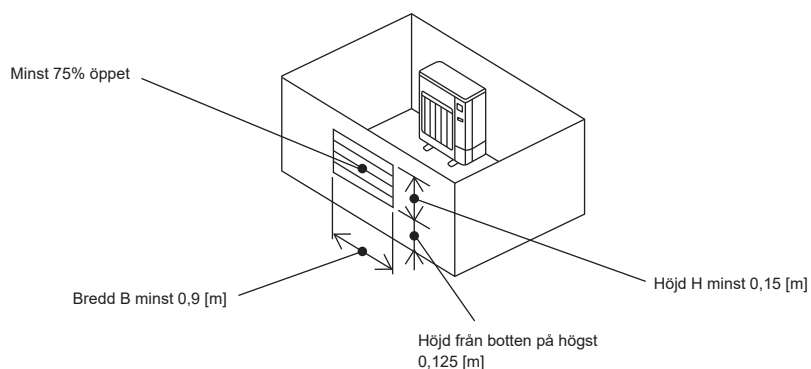


C) Skapa ett öppet område som ger lämplig ventilation.

Kontrollera att det öppna området är minst 0,9 [m] brett och minst 0,15 [m] högt.

Höjden från botten av installationsområdet till nederkanten på det öppna området ska emellertid vara högst 0,125 [m].

Det öppna området ska vara minst 75% öppet.



2. Placering

■ Inomhusenheter

Installera enheten i ett rum med ett golvutrymme som är O_{min} eller större. O_{min} motsvarar kvantitet M av köldmedlet (köldmedel som fyllts på i fabriken + lokalt tillfört köldmedel).

* Information om mängden köldmedel som fyllts på i fabriken finns på specifikationsnamnplåten eller i installationsanvisningen.
Information om mängden som tillförts lokalt finns i installationsanvisningen.

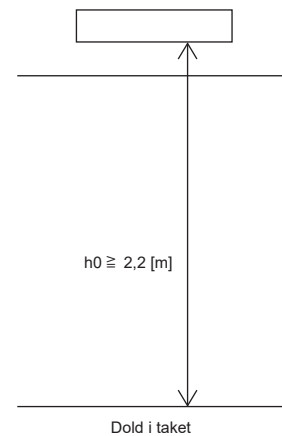
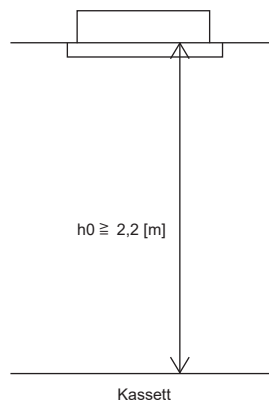
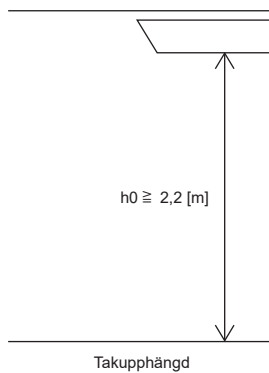
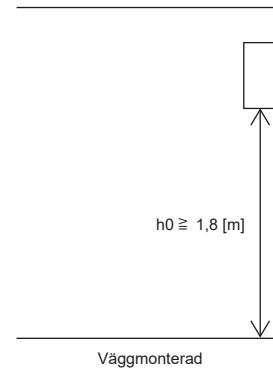
Installera inomhusenheten så att höjden från golvet till nederkanten av inomhusenheten är h_0 ;

för väggmonterad: minst 1,8 m;

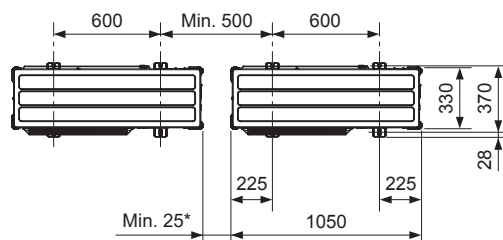
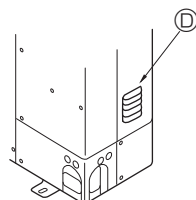
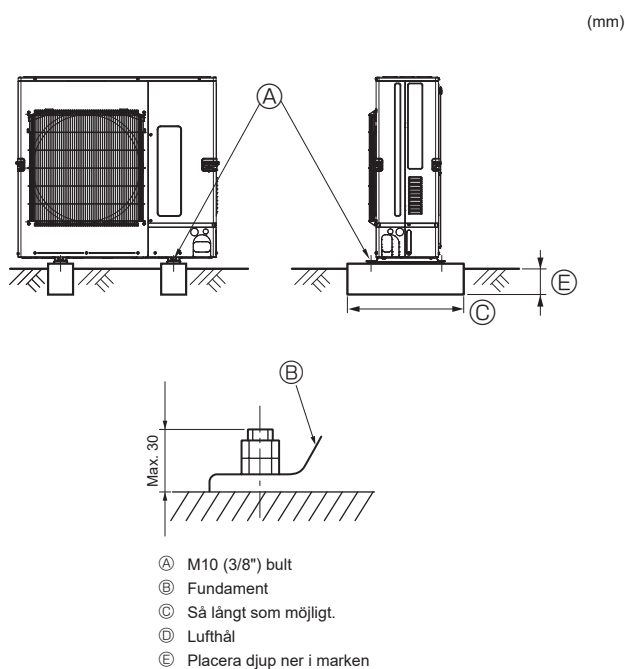
för takupphängd, kassett och dold i taket: minst 2,2 m.

* Varje modell har begränsningar vad gäller installationshöjden, så läs installationsanvisningen för den aktuella enheten.

M [kg]	O_{min} [m ²]
1,0	4
1,5	6
2,0	8
2,5	10
3,0	12
3,5	14
4,0	16
4,5	20
5,0	24
5,5	29
6,0	35
6,5	41
7,0	47
7,5	54



3. Installation av utomhusenhet



* När en enskild enhet för utomhusbruk monteras ska säkerhetsavståndet vara 15 mm eller mer.

Fig. 3-1

4. Installera kylmedelsrör

4.1. Försiktighetsåtgärder för enheter som använder köldmedlet R32

- Se 1.5. för försiktighetsåtgärder som inte finns med nedan om hur man använder luftkonditioneringar med köldmedlet R32.
- Använd olja med ester, eter, alkylbensen (liten mängd) som den köldmedelsolja som används på flänsarna.
- Använd C1220 koppar/fosfor till skarvfria rör av koppar eller kopparlegering för anslutning av kylmedelsrören. Använd köldmedelsrör med den tjocklek som anges i tabellen nedan. Kontrollera att rörens insidor är rena och inte innehåller skadliga föroreningar som svavelhaltiga föreningar, oxider, skräp eller damm.
 Använd alltid icke-oxiderande hårdlödning när rören hårdlöds, annars kan kompressorn skadas.

⚠ Varning:

När du installerar, flyttar eller utför service på luftkonditioneringen får endast det angivna kylmedlet (R32) användas för att ladda kylmedelsrören. Blanda inte med andra kylmedel och låt inte luft vara kvar i rören.

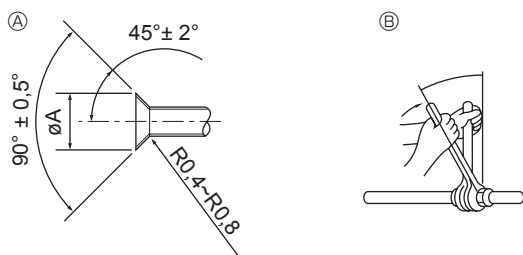
Om luft blandas med kylmedel kan det orsaka onormalt högt tryck i kylmedelsrören, vilket kan leda till explosion och andra faror.

Användning av annat kylmedel än det som specificeras för systemet orsakar mekaniska fel, systemfel eller haveri. I värsta fall kan det leda till en allvarlig brist som hotar produktens säkerhet.

Rörstorlek (mm)	ø6,35	ø9,52	ø12,7	ø15,88	ø19,05	ø22,2	ø25,4	ø28,58
Tjocklek (mm)	0,8	0,8	0,8	1,0	1,0	1,0	1,0	1,0

- Använd inte tunnare rör än dem som anges ovan.
- Använd 1/2 H- eller H-rör om diametern är 19,05 mm eller större.
- Säkerställ lämplig ventilation, så att enheten inte antänds. Se dessutom till att vidta brandförebyggande åtgärder och kontrollera att det inte finns några farliga eller lättantändliga föremål i närheten.

4. Installera kylmedelsrör



- Ⓐ Mått för flänsning
Ⓑ Åtdragningsmoment för flänsmutter

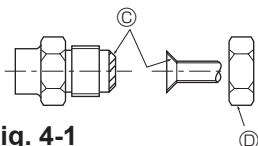


Fig. 4-1

Ⓐ (Fig. 4-1)

Kopparrör Y.D. (mm)	Aflänsmått øA mått (mm)
ø6,35	8,7 - 9,1
ø9,52	12,8 - 13,2
ø12,7	16,2 - 16,6
ø15,88	19,3 - 19,7
ø19,05	23,6 - 24,0

Ⓑ (Fig. 4-1)

Kopparrör Y.D. (mm)	Flänsmutter Y.D. (mm)	Åtdragningsmoment (N·m)
ø6,35	17	14 - 18
ø6,35	22	34 - 42
ø9,52	22	34 - 42
ø12,7	26	49 - 61
ø12,7	29	68 - 82
ø15,88	29	68 - 82
ø15,88	36	100 - 120
ø19,05	36	100 - 120

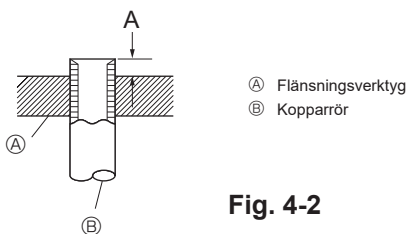
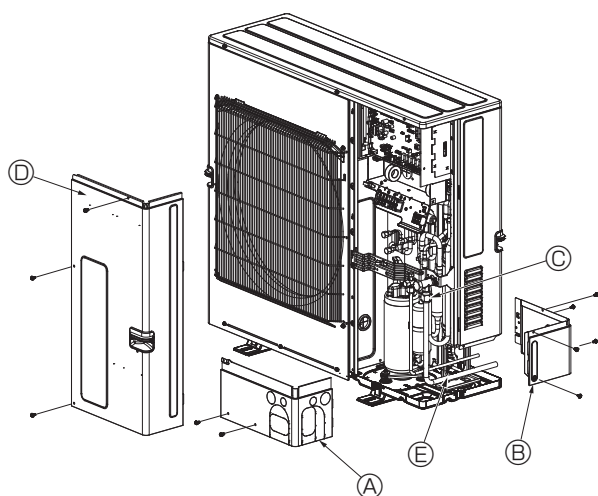


Fig. 4-2



- Ⓐ Hölje för främre rörledningsmaterial
Ⓑ Hölje för bakre rörledningsmaterial
Ⓒ Stoppventil
Ⓓ Servicepanel
Ⓔ Krökningradie : 100 mm - 150 mm

Fig. 4-3

4.2. Anslutningsrör (Fig. 4-1)

- Om kommersiellt tillgängliga kopparrör används bör vätske- och gasrör lindas med kommersiellt tillgängligt isoleringsmaterial (värmebeständig upp till 100°C eller mer, tjocklek 12 mm eller mer).
- Inomhusdelarna på dräneringsröret bör lindas med isoleringsmaterial av polyetylenkum (specifik vikt 0,03, tjocklek 9 mm eller mer).
- Stryk på ett tunt lager av frysmaskinolja på röret och fogens tätningssyta innan den flänsade muttern dras åt. Ⓐ
- Använd två skruvnycklar för att dra åt röranslutningarna. Ⓑ
- När röranslutningarna avslutats, använd en läckdetektor eller en tvålvattenslösning för att kontrollera efter gasläckor.
- Sätt på köldmedelsolja på flänsens hela yta. Ⓒ
- Använd flänsmuttrar för följande rörstorlek. Ⓓ

Gassida	Rörstorlek (mm)	ø15,88
Vätskesida	Rörstorlek (mm)	ø9,52

- När du böjer rören, se till att de inte går av. En böjningsradie på 100 mm till 150 mm räcker.
- Kontrollera att rören inte kommer i kontakt med kompressorn. Det kan orsaka onormalt ljud eller vibrationer.
- ① Rören ska anslutas med början från inomhusenheten. Flänsmuttrar ska alltid dras åt med momentnycklar.
- ② Flänsa rören för vätska och gasrören och sätt på ett tunt lager köldmedelsolja (på plats).
- När vanlig rörtätning används, se tabell 1 för flänsning av köldmedelsrör för R32. Instrumentet för storleksinställning kan användas för kontroll av måtten A.

Tabell 1 (Fig. 4-2)

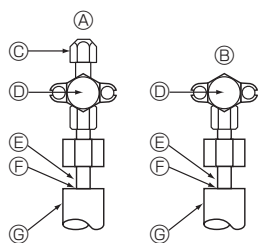
Kopparrör Y.D. (mm)	A (mm)	
	Flänsningsverktyg för R32	Flänsningsverktyg för R22-R407C
	Kopplingstyp	
ø6,35 (1/4")	0 - 0,5	1,0 - 1,5
ø9,52 (3/8")	0 - 0,5	1,0 - 1,5
ø12,7 (1/2")	0 - 0,5	1,0 - 1,5
ø15,88 (5/8")	0 - 0,5	1,0 - 1,5
ø19,05 (3/4")	0 - 0,5	1,0 - 1,5

4.3. Kylmedelsrör (Fig. 4-3)

Ta bort servicepanelen Ⓓ (3 skruvar), det främre skyddet Ⓐ (2 skruvar) och det bakre skyddet Ⓑ (5 skruvar).

- Utför anslutning av kylmedelsrör för inomhus- och utomhusenheterna medan utomhusenhetens stoppventil är helt stängd.
- Avlufta inomhusenheten och anslutningen av rörledningarna.
- När köldmedelsrören anslutits, kontrollera om de anslutna rören och inomhusenheten läcker gas. (Se sidan 4.4. Provetmetod för att kontrollera om köldmedelsrören är lufttäta.)
- En högpresterande vakuumpump används vid stoppventilens serviceport för att bibehålla vakuum under lämplig tid (minst en timme efter att -101 kPa (5 Torr)) uppnåtts, för att vakuumtorka insidan av rörledningarna. Kontrollera alltid vakuumnivån vid vakuumanlutningen. Om fukt kvarstår i rörledningen kan vakuumnivån inte alltid uppnås med hjälp av vakuumpumpen under kort tid. Efter vakuumtorkningen ska utomhusenhetens stoppventiler (för både vätska och gas) öppnas helt. Detta kopplar ihop köldmedelskretsarna på inomhus- och utomhusenheterna helt.
 - Om vakuumtorkningen är otillräcklig finns det luft och vattenånga kvar i köldmedelskretsarna, vilket kan leda till onormalt högt tryck, onormalt lågt tryck, försämrade frysmaskinolja på grund av fukt, etc.
 - Om stoppventilerna lämnas öppna och enheten körs, skadas kompressorn och reglerventilerna.
 - Använd en läckagedetektor eller såpvatten för att leta efter gasläckor vid röranslutningarna på utomhusenheten.
 - Använd inte köldmedlet från enheten för att avlufta köldmedelsledningarna.
 - När du är klar med ventilerna, dra åt ventilhylsorna till rätt moment: 20 till 25 N·m (200 till 250 kgf·cm). Om hylsorna inte sätts tillbaka och dras åt kan detta orsaka köldmedelsläckage. Se dessutom till att inte skada ventilhylsornas insidor eftersom de fungerar som tätning för att förhindra köldmedelsläckage.
- Använd tätningssmedel för att tätta ändarna på värmeisoleringen runt röranslutningarna för att förhindra att vatten kommer in i värmeisoleringen.

4. Installera kylmedelsrör



- A Stoppventil <vätskesida> E Lokalt rör
 B Stoppventil <gassida> F Tätad, på samma sätt som på gassidan
 C Serviceöppning G Rörskydd
 D Öppen/stängd sektion

Fig. 4-4

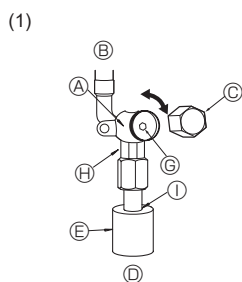


Fig. 4-5

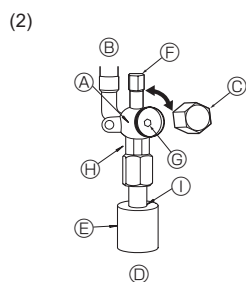
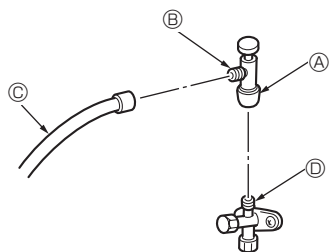


Fig. 4-6

- A Ventil
 B Enhetens sida
 C Handtag
 D Sida för lokalt rör
 E Rörskydd
 F Serviceöppning
 G Skruvnyckelhal
- H Skruvnyckeldel
 (Skruvnycklar får endast användas på denna del. Annan användning kan leda till köldmedelsläckor.)
 I Tätningssdel (Täta änden på värmeisoleringen vid röranslutningen med tillgängligt tätningssmedel, för att förhindra att vatten kommer in i värmeisoleringen.)



- * Figuren till vänster är enbart ett exempel. Stoppventilens form, serviceportens läge osv. kan variera beroende på modellen.
 * Vrid endast sektion A.
 (Dra inte åt sektionerna A och B mer tillsammans.)

- C Påfyllningssläng
 D Serviceport

Fig. 4-7

4.6. Tillsats av kylmedel

- Ytterligare påfyllning av enheten krävs inte om rörlängden inte är längre än 30 m.
- Om rörlängden överstiger 30 m ska enheten laddas med extra R32-kylmedel i enlighet med de tillåtna rörlängderna i tabellen nedan.
- När enheten stannat, fyll på den med ytterligare köldmedel genom stoppventilen för vätska när rören och inomhusenheten tömts. När enheten är igång, fyll på köldmedel i gasbackventilen med en säkerhetsladdare. Fyll inte på flytande köldmedel direkt i backventilen.
- När du har fyllt på köldmedel i enheten, anteckna den påfyllda köldmedelsmängden på serviceetiketten (på enheten).
 Se "1.5. Använda luftkonditionerar med köldmedlet R32" för mer information.

4.4. Provmetod för att kontrollera om köldmedelsrören är lufttäta (Fig. 4-4)

- Anslut testverktygen.
 - Kontrollera att stoppventilerna A och B är stängda, öppna dem inte.
 - Trycksätt köldmedelsledningarna via serviceöppning C på stoppventilen för vätska, A.
- Trycksätt inte till det angivna trycket direkt, utan lägg på trycket lite i taget.
 - Trycksätt till 0,5 MPa (5 kgf/cm²G), vänta i fem minuter, och kontrollera att trycket inte minskar.
 - Trycksätt till 1,5 MPa (15 kgf/cm²G), vänta i fem minuter, och kontrollera att trycket inte minskar.
 - Trycksätt till 4,15 MPa (41,5 kgf/cm²G) och mät den omgivande temperaturen och köldmedelstrycket.
- Om det angivna trycket håller i ungefär en dag utan att minska, har rören klara testet och det finns inga läckor.
 - Om den omgivande temperaturen ändras med 1°C, ändras trycket med ungefär 0,01 MPa (0,1 kgf/cm²G). Gör nödvändiga ändringar.
- Om trycket minskar i steg (2) eller (3), finns det en gasläcka. Leta efter orsaken till denna gasläcka.

4.5. Öppningsmetod för stoppventil

Öppningsmetoden för stoppventiler varierar med olika modeller av utomhusenheter. Använd lämplig metod för att öppna stoppventilerna.

- Gassida (Fig. 4-5)
 - Ta bort kåpan och vrid ventilstängens motsols så långt det går med en 5 mm sexkantsnyckel. Sluta när den når stoppet.
 (ø15,88: Ca. 13 varv)
 - Kontrollera att stoppventilen är helt öppen och skruva på locket igen.
- Vätskesida (Fig. 4-6)
 - Ta bort kåpan och vrid ventilstängens motsols så långt det går med en 4 mm sexkantsnyckel. Sluta när den når stoppet.
 (ø9,52: Ca. 10 varv)
 - Kontrollera att stoppventilen är helt öppen, tryck in handtaget och skruva på locket igen.

Rören för köldmedlet har en skyddande förpackning

- Rören kan lindas in som skydd upp till en diameter på ø90 innan eller efter det att rören ansluts. Skär ut anvisningen i rörskyddet efter spåret och linda in rören.
- Öppningar vid rörets inlopp
- Använd kitt eller tätningssmassa för att täta rörinloppet runt rören så att det inte finns kvar några hål.
 (Om hålen inte sluts, kan ljud komma ut ur enheten eller så kan vatten och damm komma in i enheten, vilket kan orsaka haveri.)

Försiktighetsåtgärder när påfyllningsventilen används (Fig. 4-7)

Dra inte åt serviceporten för mycket när den installeras, det kan göra att ventil kärnan deformeras och lossnar vilket kan leda till gasläckor.

När sektion B positionerats på önskad plats ska du vrida på sektion A enbart och dra åt den.
 Dra inte åt sektionerna A och B mer tillsammans efter det att du dragit åt sektion A.

⚠ Varning:

Vid installation av enheten ska kylvätskerören anslutas ordentligt innan kompressorn startas.

Modell	Tillåten rörlängd	Tillåten skillnad i vertikal led	Påfyllningsmängd köldmedel					©Maximal mängd köldmedel
			31 - 40 m	41 - 50 m	51 - 55 m	56 - 60 m	61 - 65 m	
M100	- 55 m	- 30 m	0,4 kg	0,8 kg	1,0 kg	—	—	4,1 kg
M125, 140	- 65 m	- 30 m	0,4 kg	0,8 kg	1,0 kg	1,2 kg	1,4 kg	5,0 kg

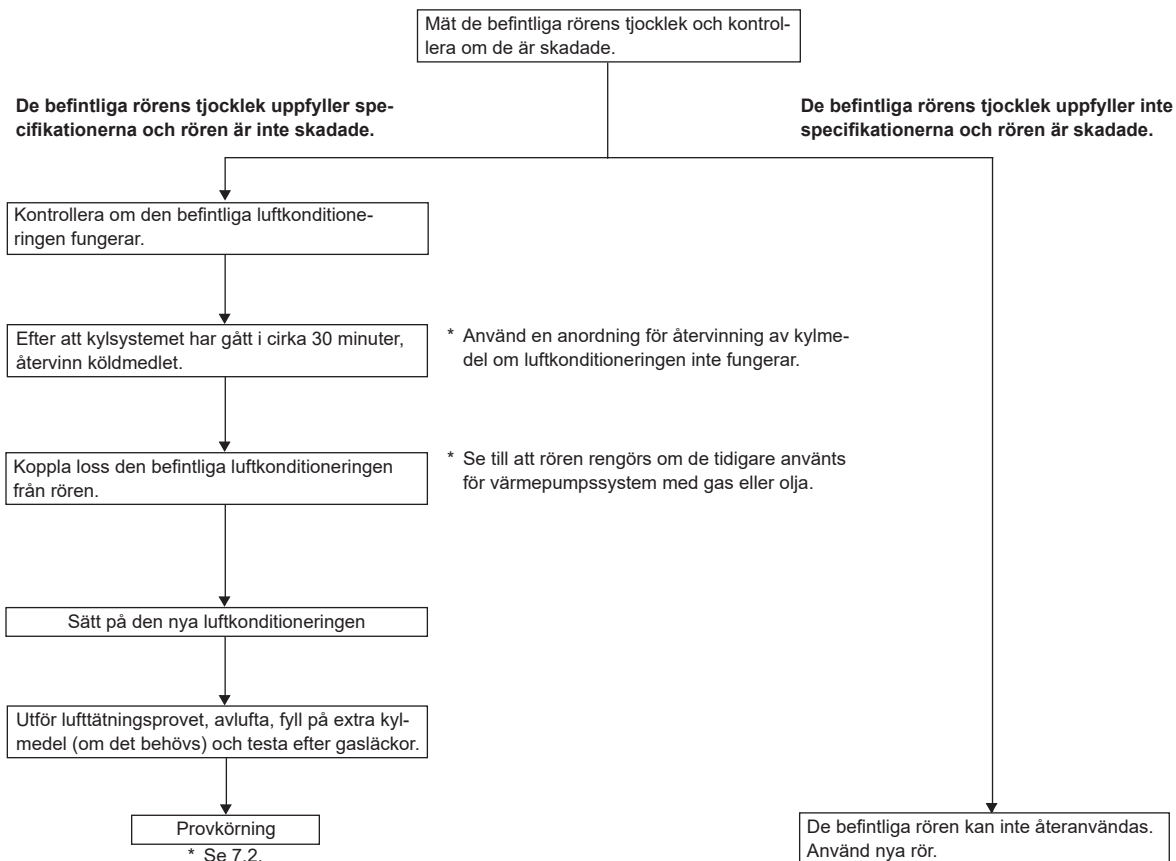
4. Installera kylmedelsrör

Sats för påfyllning av köldmedel (kg) för avstånd kortare än 30 m (rörlängd utan sats)

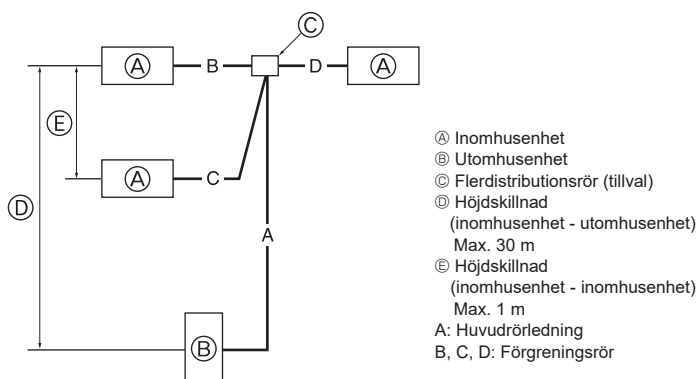
Utomhusenhet	5 m och mindre	6 - 10 m	11 - 15 m	16 - 20 m	21 - 25 m	26 - 30 m
M100	2,0	2,2	2,4	2,6	2,8	3,1
M125, 140	2,6	2,8	3,0	3,2	3,4	3,6

4.7. Försiktighetsåtgärder vid återanvändning av befintliga R22-köldmedelsrör

- Se flödesschemat nedan för att avgöra om de befintliga rören kan användas och om det är nödvändigt att använda en filtertorkare.
- Om de befintliga rörens diameter skiljer sig från den angivna diametern, se tekniska data för materialet för att bekräfta om rören kan användas.



<Gränsmått för installation av kylledningar>



M100 : $A+B+C (+D) \leq 55$ m
 M125, 140 : $A+B+C (+D) \leq 65$ m
 * "D" står för tredubblad.

Fig. 4-8

4.8. För dubbla/trippla kombinationer (Fig. 4-8)

- När denna enhet används som en "FRISTÄENDE MULTIKOMBINATIONSENHET", installera kylledningarna med de begränsningar som finns angivna på ritningen till vänster. Dessutom; om begränsningarna skall överskridas, eller om det kommer att bli kombinationer av inomhus- och utomhusenheter, se installationsanvisningarna för inomhusenheten för detaljer rörande installationen.

Utomhusenhet	Totalt tillåten rörledningslängd A+B+C+D	B eller C eller D	Mindre påfyllning rörledningslängd A+B+C+D
M100	55 m och mindre	20 m och mindre	30 m och mindre
M125, 140	65 m och mindre	20 m och mindre	30 m och mindre

Utomhusenhet	B-C eller B-D eller C-D	Antal böjar
M100-140	8 m och mindre	Inom 15

SV

5. Dräneringsrör

Anslutningar för dräneringsrör för utomhusenheten

Om dräneringsrör krävs ska dräneringsuttaget eller dräneringstråget (tillval) användas.

	M100-140
Dräneringsuttag	PAC-SG61DS-E
Dräneringstråg	PAC-SH97DP-E

6. Elektriska arbeten

6.1. Utomhusenhet (Fig. 6-1, Fig. 6-2)

- ① Ta bort servicepanelen.
- ② Hänvisa till Fig. 6-1 och Fig. 6-2 när kablarna dras.

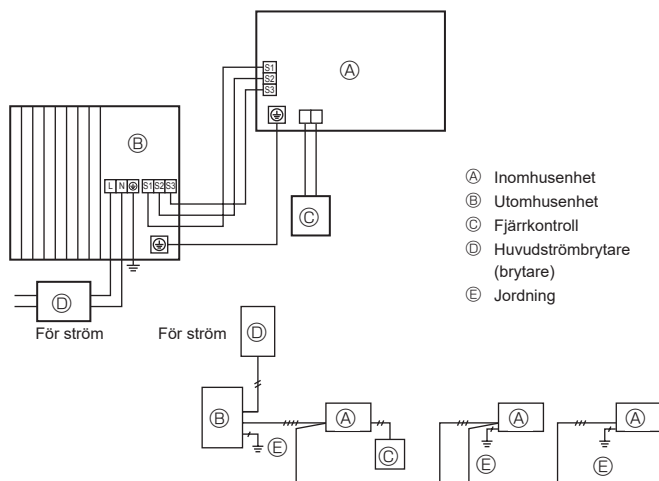


Fig. 6-1

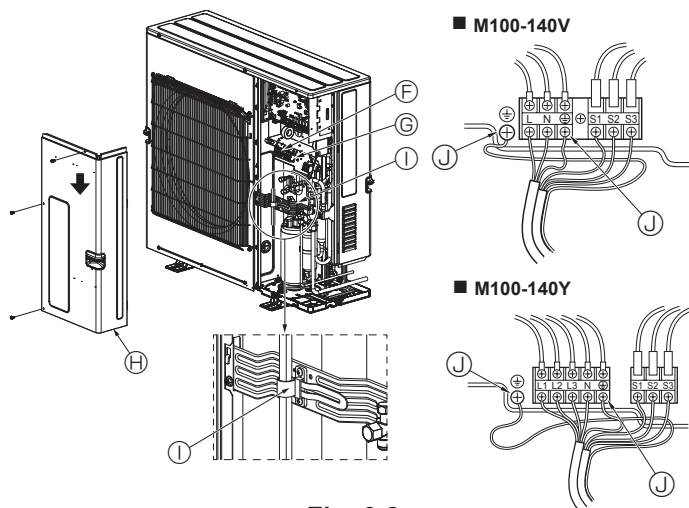


Fig. 6-2

- F Kopplingsplint
- G Kopplingsplintar för anslutningar inomhus/utomhus (S1, S2, S3)
- H Servicepanel
- I Klämma
- * Fäst kablarna så att de inte kommer i kontakt med servicepanelens mitt eller gasventilen.
- J Jorduttag

Obs:

Kom ihåg att montera tillbaka elkomponentlådans skyddsark om det tas bort vid underhåll.

⚠ Försiktighet:

Se till att installera N-ledningen. Utan N-ledningen kan enheten skadas.

6. Elektriska arbeten

6.2. Elektriska kopplingar på fältet

Utomhusenhetens modell		M100, 125V	M140V	M100, 125, 140Y
Kraftmatning, utomhusenhet		~N (Enfas), 50 Hz, 230 V	~N (Enfas), 50 Hz, 230 V	3N~ (3-fas 4 ledningar), 50 Hz, 400 V
Utomhusenhetens ineffekt Frånskiljare (brytare) *1		32 A	40 A	16 A
Ledningsdragning x storlek (mm ²)	Kraftmatning, utomhusenhet	3 x Min. 6	3 x Min. 6	5 x Min. 1,5
	Inomhusenhet-Utomhusenhet *2	3 x 1,5 (Polar)	3 x 1,5 (Polar)	3 x 1,5 (Polar)
	Inomhusenhet-Utomhusenhet, jord *2	1 x Min. 1,5	1 x Min. 1,5	1 x Min. 1,5
	Anslutningsledning fjärrkontroll/inomhusenhet *3	2 x 0,3 (Opolariserad)	2 x 0,3 (Opolariserad)	2 x 0,3 (Opolariserad)
Kretsens märkvärde	Utomhusenhet L-N (Enfas) *4	230 VAC	230 VAC	230 VAC
	Utomhusenhet L1-N, L2-N, L3-N (3-fas) *4	230 VAC	230 VAC	230 VAC
	Inomhusenhet-Utomhusenhet S1-S2 *4	230 VAC	230 VAC	230 VAC
	Inomhusenhet-Utomhusenhet S2-S3 *4	24 VDC	24 VDC	24 VDC
Anslutningsledning fjärrkontroll/inomhusenhet *4		12 VDC	12 VDC	12 VDC

*1. Använd en jordslutningsbrytare (NV) med minst 3,0 mm avstånd mellan kontaktarna i varje pol. Säkerställ att jordfelsbrytaren är kompatibel med högre svängningar. Använd alltid en jordfelsbrytare som är kompatibel med högre svängningar eftersom denna enhet är utrustad med en växelriktare. Om en otillräcklig brytare används kan växelriktaren fungera felaktigt.

*2. Max. 45 m

Om 2,5 mm² används, max. 50 m

Om 2,5 mm² används och S3 är separat, max. 80 m

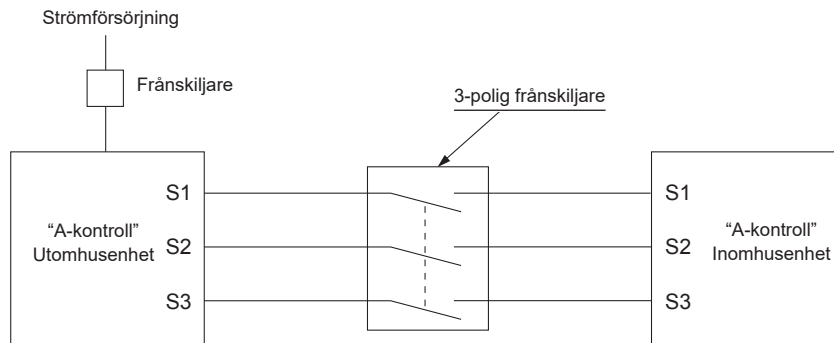
*3. En 10 m ledning är monterad på tillbehöret fjärrkontrollen.

*4. Värdena gäller INTE alltid jordningen.

S3-uttaget har 24 VDC till skillnad från S2-uttaget. Mellan S3 och S1 är uttagen INTE elektriskt isolerade av transformatorn eller någon annan enhet.



- Obs:**
1. Kabeltjockleken måste överensstämma med nationella föreskrifter.
 2. Nätströmssladdar och anslutningsladdar för inom- och utomhusenheter bör inte vara lättare än polykloroprenskärmad böjlig sladd. (Konstruktion 60245 IEC 57)
 3. Använd en jordledning som är längre än de andra kablarna så att den inte kopplas bort om kabeln spänns.
 4. Använd självsläckande distributionskablar för strömtillförselns kablar.
 5. Dra kablarna ordentligt så att de inte får kontakt med metallkanten eller skruvspetsen.



⚠ Varning:

- Vid ledningsdragning med A-styrning finns det potentiellt hög spänning i S3-uttaget orsakat av de elektriska kretsarnas utformning som inte har elektrisk isolering mellan strömledningen och kommunikationssignalledningen. Stäng därför av nätströmtillförseln vid underhåll. Ta inte på uttagen S1, S2, S3 när strömmen magnetiseras. Använd en 3-polig frånskiljare om en frånskiljare används mellan inomhus- och utomhusenheten.

Strömkabeln eller kabeln för utomhusanslutningar får aldrig skarvas. Det kan leda till rökbildning, brand eller kommunikationsfel.

Se till att inom- och utomhusenheternas anslutningskablar ansluts direkt till enheterna (inga mellanliggande anslutningar). Mellanliggande anslutningar kan leda till kommunikationsfel om vatten tränger in i kablarna och gör jordisoleringen otillräcklig eller skapar dålig elektrisk kontakt vid den mellanliggande anslutningspunkten.

7. Provkörning

7.1. Innan provkörningen

- Efter installationen och då rör- och elarbeten för inomhus- och utomhusenheterna är avslutade, leta efter köldmedelsläckage, lösa anslutningar för nätström eller styrström och felaktig polaritet och att det inte finns någon urkoppling av en fas i matningsspänningen.
- Använd en 500 volt megohmmeter för att kontrollera att motståndet mellan nätströmsuttag och jord är minst 1 MΩ.
- Utför ej denna test på styrströmsledningarnas uttag (lågspänningskretsar).

⚠ Varning:

Använd ej luftkonditioneringen om isoleringsmotståndet är mindre än 1 MΩ.

Isoleringsresistans

Efter installationen eller när enhetens spänningsskälla har varit urkopplad under en längre tid, sjunker isoleringsresistansen under 1 MΩ på grund av köldmedel som ansamlas i kompressorn. Detta är inget fel. Gör följande:

1. Ta bort ledningarna från kompressorn och mät kompressorns isoleringsresistans.
2. Om isoleringsresistansen är lägre än 1 MΩ, är det fel på kompressorn eller så sjönk resistansen på grund av ansamlingen av köldmedel i kompressorn.
3. När du anslutit ledningarna till kompressorn, börjar den värmas upp när spänningen kopplats in. Mät isoleringsresistansen igen, när spänningen varit inkopplad den tid som anges nedan.

- Isoleringsresistansen sjunker på grund av ansamling av köldmedel i kompressorn. Resistansen ökar över 1 MΩ när kompressorn värmts upp i 4 timmar. (Den tid som behövs för att värma upp kompressorn varierar på grund av atmosfäriska villkor och ansamlingen av köldmedel.)
 - För att man ska kunna använda kompressorn när köldmedel ansamlats i kompressorn, måste den värmas upp i minst 12 timmar för att förhindra haveri.
4. Om isoleringsresistansen ökar över 1 MΩ, är det inget fel på kompressorn.

⚠ Försiktighet:

- **Kompressorn kommer ej att fungera om inte fasanslutningen för nätströms-tillförseln är korrekt.**
- **Slå på strömmen minst 12 timmar innan provkörningen startas.**
- Om drift inleds omedelbart efter det att nätströmmen slagits på kan interna delar skadas. Låt strömbrytaren vara inkopplad under driftsäsongen.

► Följande måste även kontrolleras.

- Utomhusenheten är hel. LED1 och LED2 på utomhusenhetens kontrollkort blinkar när utomhusenheten är trasig.
- Både stoppventilen för gas och den för vätska är helt öppna.
- En skyddsplåt täcker DIP-omkopplarens panel på utomhusenhetens kontrollkort. Ta bort skyddsplåten så att du enkelt kan ändra DIP-omkopplarna.

7.2. Provkörning

7.2.1. Använda SW4 på utomhusenheten

SW4-1	ON	Nedkylning
SW4-2	OFF	
SW4-1	ON	Uppvärmning
SW4-2	ON	

* Efter provkörningen, ställs SW4-1 in på OFF.

- När spänningen kopplas in kan ett litet, klickande ljud höras inifrån utomhusenheten. Den elektroniska expansionsventilen öppnas och stängs. Enheten är hel.
- Ett par sekunder efter att kompressorn startar kan ett klingande ljud höras inifrån utomhusenheten. Ljudet kommer från backventilen och beror på den lilla tryckskillnaden i rören. Enheten är hel.

Driftsättet vid provkörning kan inte ändras med DIP-omkopplarna SW4-2 under själva provkörningen. (För att ändra driftsättet vid provkörning under själva provkörningen, stoppa provkörningen med DIP-omkopplare SW4-1. När du ändrat driftsättet vid provkörning, fortsätt provkörningen med omkopplare SW4-1.)

7.2.2. Att använda fjärrkontrollen

Se Installationsmanual för inomhusenhet för mera information.

Obs :

Ibland kan ånga som skapas vid avfrostningen verka som rök som kommer ut från enheten utomhus.

8. Specialfunktioner

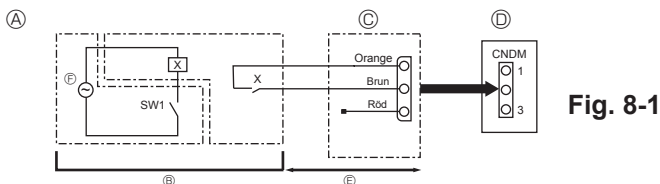


Fig. 8-1

- Ⓐ Exempel på kopplingschema (lågsta ljud-nivå)
- Ⓑ Uppställning på plats
- Ⓒ Yttre inadapt (PAC-SC36NA-E)
- X: Relä
- Ⓓ Utomhusenhetens kontrollkort
- Ⓔ Max. 10 m
- Ⓕ Strömförsörjning för relä

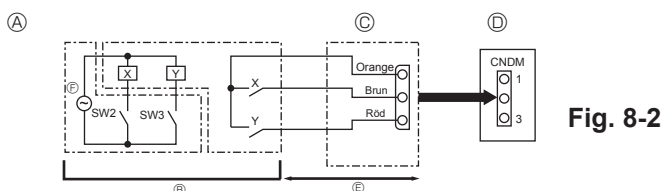


Fig. 8-2

- Ⓐ Exempel på kopplingschema (Behovsfunktion)
- Ⓑ Uppställning på plats
- X, Y: Relä
- Ⓒ Yttre inadapt (PAC-SC36NA-E)
- Ⓓ Utomhusenhetens kontrollkort
- Ⓔ Max. 10 m
- Ⓕ Strömförsörjning för relä

8.1. Lägsta ljud-nivå (ändring på plats) (Fig. 8-1)

Om du gör följande ändring kan ljudet från utomhusenheten vid drift minska med 3-4 dB.

Lägsta ljud-nivån aktiveras när en vanlig timer eller kontakten på en ON/OFF-omkopplare (PÅ/AV) läggs till CNDM-anslutningen (säljs separat) på utomhusenhetens kontrollkort.

- Resultatet varierar med utomhustemperaturen och -villkoren osv.
- ① Slut kretsen enligt figuren med den yttre inadapt (PAC-SC36NA-E). (Säljs separat)
- ② SW7-1 (Utomhusenhetens kontrollkort): OFF (AV)
- ③ SW1 ON (PÅ): Lägsta ljud-nivå
SW1 OFF (AV): Normal drift

8.2. Behovsfunktion (ändring på plats) (Fig. 8-2)

När följande ändring utförs kan energiförbrukningen minska med 0-100% jämfört med normal förbrukning.

Behovsfunktionen aktiveras när en vanlig timer eller kontakten på en ON/OFF-omkopplare (PÅ/AV) läggs till CNDM-anslutningen (säljs separat) på utomhusenhetens styrkort.

- ① Slut kretsen enligt figuren med den yttre inadapt (PAC-SC36NA-E). (Säljs separat)
- ② Genom att ställa in SW7-1 på utomhusenhetens styrkort kan energiförbrukningen begränsas (jämfört med normal förbrukning) så som visas nedan.

	SW7-1	SW2	SW3	Energiförbrukning
Behovsfunktion	ON	OFF	OFF	100%
		ON	OFF	75%
		ON	ON	50%
		OFF	ON	0% (Stopp)

8. Specialfunktioner

8.3. Återvinning av köldmedel

Gör följande för att återvinna köldmedlet vid flyttning av inomhus- eller utomhusenheten.

- ① Koppla in spänningen (överspänningsskydd).
 - * När spänningen är inkopplad, kontrollera att "CENTRALLY CONTROLLED" (centralt styrd) inte visas på fjärrkontrollen. Om "CENTRALLY CONTROLLED" visas, kan inte återvinningen av köldmedel slutföras på vanligt sätt.
 - * Det tar cirka 3 minuter att starta kommunikationen mellan inom- och utomhusenheten efter det att strömmen (strömbrytaren) slås på. Starta inhämtningen 3 till 4 minuter efter det att strömmen (strömbrytaren) slagits PÅ.
- ② När stoppventilen för vätska stängts, placera SWP-omkopplaren på utomhusenhetens kontrollkort i läge ON (till). Kompressorn (utomhusenheten) och fläktarna (inomhus- och utomhusenheterna) startar och återvinningen av köldmedel påbörjas. LED1 och LED2 på utomhusenhetens kontrollkort tänds.
 - * Sätt endast SWP-omkopplaren (tryckknappstyp) i läge ON (till) om enheten stannar. Även om enheten stannar och SWP-omkopplaren placeras i läge ON (till) mindre än 3 minuter efter att kompressorn stannar, kan återvinningen av köldmedel inte utföras. Vänta tills kompressorn stått stilla i 3 minuter och placera sedan SWP-omkopplaren i läge ON (till) igen.

- ③ Eftersom enheten automatiskt stoppas inom 2 eller 3 minuter när inhämtningen av köldmedel är klar (LED1 släckt, LED2 tänd) måste du komma ihåg att snabbt stänga gasventilen. Inhämtningen av köldmedel har inte utförts på rätt sätt om LED1 är tänd och LED2 är släckt och utomhusenheten har stoppat. Öppna vätskeventilen helt och upprepa därefter steg ② när 3 minuter har gått.
 - * Om inhämtningen av köldmedel har slutförts som den ska (LED1 släckt, LED2 tänd) kommer enheten att vara i stoppläge tills strömförsörjningen stängs av.
- ④ Koppla ur spänningen (överspänningsskydd).
 - * Observera att om förlängningsrören är mycket långa med en stor mängd köldmedel så går det inte att genomföra en inhämtning. Vid utpumpning, säkerställ att det låga trycket sänks till nära 0 MPa (mätare).

⚠ Varning:

Vid inhämtning av köldmedium ska kompressorn stoppas innan kylvätskerören kopplas bort. Kompressorn kan spricka om luft osv. tränger in i den.

9. Systemkontroll (Fig. 9-1)

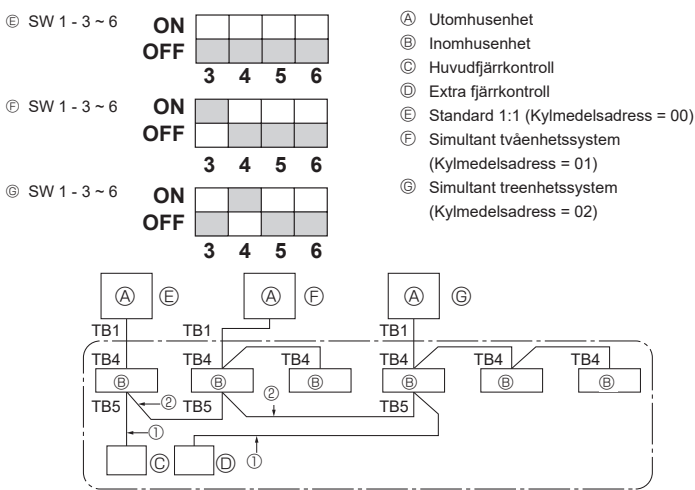


Fig. 9-1

* Ställ in kylmedelsadressen med hjälp av utomhusenhetens DIP-omkopplare.

① Ledning från fjärrkontrollen

Denna ledning är ansluten till TB5 (kopplingsbord för fjärrkontroll) på inomhusenheten (icke-polär).

② När en annan kylmedelssystemgruppering används.

Upp till 16 kylmedelssystem kan styras som en grupp med hjälp av fjärrkontrollen slim MA.

Obs:

I ett enkelt kylsystem (dubbel/trippel) behöver inte ② anslutas.

SW1

Funktionstabell

<SW1>



	Funktion	Drift i enlighet med omkopplarinställning	
		ON	OFF
SW1 Funktionsinställningar	1 Obligatorisk avfrostning	Start	Normal
	2 Rensa felhistorik	Rensa	Normal
	3 Kylmedelssystemets adressinställning	Inställningar för utomhusadresserna 0 till 15	
	4		
	5		
	6		

Innhold

1. Sikkerhetsforholdsregler	1	6. Elektrisk arbeid	10
2. Monteringssted	2	7. Testkjøring	12
3. Montere utendørsenheten	6	8. Spesialfunksjoner	12
4. Montere kjølemiddelrør	6	9. Systemstyring (Fig. 9-1)	13
5. Arbeid med avløpsrør	10		



Merk: Dette symbolmerket gjelder kun EU-land.

Dette symbolet er i samsvar med direktiv 2012/19/EU Artikkel 14 Informasjon for brukere og Vedlegg IX.

Dette produktet fra MITSUBISHI ELECTRIC er utviklet og produsert med kvalitetsmaterialer og -komponenter som kan resirkuleres og brukes på nytt.

Dette symbolet betyr at elektrisk og elektronisk utstyr, når de er ubrukelige, ikke skal kastes sammen med vanlig husholdningsavfall.

Kast dette utstyret på nærmeste miljøstasjon.

I EU er det adskilte oppsamlingsystemer for brukte elektriske og elektroniske produkter.

Hjelp oss å bevare miljøet!



Forsiktig:

- Ikke slipp R32 ut i atmosfæren.

1. Sikkerhetsforholdsregler

- ▶ Les alle "Sikkerhetsforholdsreglene" før du monterer enheten.
- ▶ Rapporter til eller få samtykke fra energiselskapet før tilknytning til systemet.
- ▶ PUZ-M-Y er utviklet for kommersiell og lett industriell bruk.
- ▶ Utstyret er i samsvar med IEC/EN 61000-3-12 (PUZ-M100/125/140V)



Advarsel:

Beskriver forholdsregler som må tas for å forhindre fare for at brukeren blir skadet eller dør.



Forsiktig:

Beskriver forholdsregler som må tas for å forhindre skade på enheten.

Efter at monteringsarbeidet er fullført, må "Sikkerhetsforholdsregler", bruk og vedlikehold av enheten forklares kunden i henhold til informasjonen i brukerhåndboken samt gjennomføre testkjøringen for å være sikker på at anlegget fungerer som det skal. Både monteringshåndboken og brukerhåndboken må gis til, og skal beholdes av, brukeren. Disse håndbøkene må gis videre til påfølgende brukere.



: Indikerer hvilken del som må jordes.



Advarsel:

Les merkene som står på hovedenheten nøye.

⊙ : Angir farer og forhold du bør være oppmerksom på, ved bruk av kjølemiddelet R32.

BETYDNINGEN TIL SYMBOLER PÅ ENHETEN

	ADVARSEL (Brannfare)	Dette merket gjelder kun R32-kjølemiddel. Kjølemiddeltypen er skrevet på navneplaten til utendørsenheten. Hvis kjølemiddeltypen er R32, bruker denne enheten et lett antenkelig kjølemiddel. Hvis kjølemiddelet lekker og kommer i kontakt med flammer eller en varm del, dannes det skadelig gass og det er fare for brann.
		Les BRUKERHÅNDBOKEN nøye før bruk.
		Servicepersonell må lese BRUKERHÅNDBOKEN og MONTERINGSHÅNDBOKEN nøye før bruk.
		Du finner mer informasjon i BRUKERHÅNDBOKEN, MONTERINGSHÅNDBOKEN og lignende.



Advarsel:

- Enheten må ikke monteres av brukeren. Be en forhandler eller autorisert tekniker om å montere og reparere enheten. Hvis enheten monteres feil, kan det føre til vannlekkasje, elektrisk støt eller brann.
- For monterings- og flyttingsarbeid må man følge instruksene i installasjons-håndboken og bruke de verktøy og rørkomponenter som er spesifikt laget for å brukes med kjølemiddelet R32. Hvis det brukes rørkomponenter som ikke er designet for R32-kjølemiddel og enheten ikke monteres på korrekt måte, kan rørene sprekke og forårsake skade på eiendom eller personer. I tillegg kan det føre til vannlekkasje, elektrisk støt eller brann.
- Enheten må monteres i henhold til instruksene for å minimere risikoen for skade som følge av jordskjelv, orkan eller sterk vind. En feilmontert enhet kan falle ned og forårsake skade på eiendom eller personer.
- Enheten må monteres forsvarlig på en struktur som tåler dens vekt. Hvis enheten monteres på en ustabil struktur, kan den falle ned og forårsake skade på eiendom eller personer.
- Hvis klimaanlegget monteres i et lite rom, må det tas tiltak for å forhindre at kjølemiddelkonsentrasjonen i rommet overskrider sikkerhetsgrensen, hvis det skulle oppstå en kjølemiddel-lekkasje. Rådfor deg med en forhandler angående egnede tiltak for å forhindre at den tillatte konsentrasjonen overskrides. Hvis det skulle lekke kjølemiddel slik at konsentrasjonsgrensen overskrides, kan de oppstå skade på grunn av oksygenmangel i rommet.
- Luft ut rommet hvis det lekker kjølemiddel under bruk. Hvis kjølemiddelet kommer i kontakt med ild, kan det bli dannet giftige gasser.
- Alt elektrisk arbeid må utføres av en kvalifisert tekniker i samsvar med lokale forskrifter og instruksene som gis i denne håndboken. Enhetene må få strøm fra dediserte strømlinjer og det må brukes korrekt spenning og vernebrytere. Strømlinjer med utilstrekkelig kapasitet eller feil elektrisk arbeid kan føre til elektrisk støt eller brann.
- Bruk C1220 kopperfosfor, for sømløse rør laget av kopper eller kopperlegeringer, til å kople sammen kjølemiddelrør. Hvis rørene ikke er korrekt tilkoppelt, vil enheten ikke være korrekt jordet, noe som kan føre til elektrisk støt.
- Dette apparatet er ment for bruk av faglærte eller opplærte brukere i butikker, lettindustri og på gårdsbruk, eller for kommersiell bruk av ufaglærte.
- Bruk kun spesifiserte kabler for tilknytning. Ledningskabler må være sikre uten strekk på klemmekoplingene. Dessuten må tilkoplingskabler ikke skjøtes (med mindre noe annet angis i dette dokumentet). Hvis disse instruksene ikke følges, kan det føre til overoppheting eller brann.
- Dersom strømforsyningskabelen er skadet, må den kun skiftes av et autorisert serviceverksted.
- Apparatet skal installeres i samsvar med nasjonale installasjonsforskrifter.
- Dekselet på rekkeklemmepanelet på utendørsenheten må være godt festet. Hvis dekselet er feilmontert og det kommer støv og fuktighet inn i enheten, kan det føre til elektrisk støt eller brann.
- Ved montering eller flytting, eller service på luftkondisjoneringsenheten, må det bare brukes spesifisert kjølemedium (R32) i kjølemiddlerør. Ikke bland den med andre kjølemidler og ikke la det være igjen luft i rørene.

Hvis luft blir blandet med kjølemiddelet, kan det forårsake unormalt høyt trykk i kjølemiddelrøret, og det kan føre til eksplosjon og andre farer.

Bruk av andre kjølemidler enn det som er spesifisert for systemet vil forårsake mekanisk svikt, systemsvikt eller enhetshavari. I verste fall kan dette føre til at det blir veldig vanskelig å feste produktet på en sikker måte.

- Bruk kun tilbehør som er godkjent av Mitsubishi Electric og be en forhandler eller autorisert tekniker om å montere det. Hvis tilbehør monteres feil, kan det føre til vannlekkasje, elektrisk støt eller brann.

- Enheten må ikke endres. Kontakt en forhandler hvis det er behov for reparasjon. Hvis endringer eller reparasjoner ikke utføres riktig, kan det føre til vannlekkasje, elektrisk støt eller brann.

- Brukeren må aldri prøve å reparere enheten eller å overføre den til et annet sted. Hvis enheten monteres feil, kan det føre til vannlekkasje, elektrisk støt eller brann. Hvis det er behov for å reparere eller flytte klimaanlegget, må du be en forhandler eller autoriserte tekniker om å gjøre det.

- Kontroller om det lekker kjølemiddel etter at monteringen er fullført. Hvis det lekker kjølemiddel inn i rommet og det kommer i kontakt med flammen på et varmeapparat eller bærbar komfyr, vil det bli dannet giftige gasser.

- Ikke påskynd avisingsprosessen eller rengjør apparatet på annen måte enn slik produsenten anbefaler.

- Apparatet skal oppbevares i et rom uten antenneskilder i kontinuerlig drift (f.eks.: åpen ild, et gassapparat i bruk eller en elektrisk ovn som er i bruk).

- Må ikke perforeres eller brennes.
- Vær oppmerksom på at kjølemiddelet kanskje er luktfritt.

- ⊙ Rørene må beskyttes mot fysisk skade.

- Monteringen av rør må holdes til et minimum.

- Nasjonale regler for gass skal følges.

- Hold eventuelle påkrevde luftåpninger fri for hindringer.

- ⊙ Ikke bruk loddemettall for lav temperatur ved hardlodding på kjølemiddelrørene.

- ⊙ Ved hardlodding er det viktig å sørge for god ventilering.

- Kontroller at det ikke finnes farlige eller lett antenkelige materialer i nærheten.

Når arbeidet gjøres i et lukket eller lite rom eller på et liknende sted, må du kontrollere at det ikke er noen kjølemiddel-lekkasjer før du utfører arbeidet.

Hvis det lekker ut kjølemedium som blir liggende, kan det antennes eller det kan dannes giftige gasser.

- ⊙ Apparatet skal oppbevares på et godt ventilert sted der romstørrelsen tilsvarer romflaten som er angitt for bruk.

- ⊙ Oppbevar gassapparater, elektriske ovner eller andre brannkilder (antenneskilder) langt unna stedet der det utføres monteringsarbeid, reparasjoner eller annet arbeid på klimaanlegget.

Hvis kjølemiddelet kommer i kontakt med ild, kan det bli dannet giftige gasser.

- ⊙ Ikke røyk under arbeid og transport.

1. Sikkerhetsforholdsregler

1.1. Før montering

⚠ Forsiktig:

- Ikke bruk enheten i et uvanlig miljø. Hvis klimaanlegget monteres i områder som er eksponert for damp, volatil olje (inklusive maskinolje) eller svovelgass, områder eksponert for høyt saltinnhold som ved sjøen, eller områder der enheten vil bli dekket av snø, kan ytelsen bli betydelig redusert og interne deler kan bli skadet.
- Ikke monter enheten der det kan lekke, produseres, flyte eller akkumuleres brennbar gass. Hvis brennbar gass akkumuleres rundt enheten, kan det føre til brann eller eksplosjon.

1.2. Før montering (flytting)

⚠ Forsiktig:

- Vær meget forsiktig ved transport eller montering av enhetene. Det trengs 2 eller flere personer til å håndtere enheten, ettersom den veier 20 kg eller mer. Ikke ta tak i emballasjebåndene. Bruk vernehansker når du tar enheten ut av emballasjen og flytter den, ettersom du kan skade hendene på ribbene eller på kanten av andre deler.
- Sørg for å kaste emballasjen på en forsvarlig måte. Emballasjemateriale, som spiker eller andre deler av metall eller tre, kan forårsake stikksår eller andre skader.

1.3. Før elektrisk arbeid

⚠ Forsiktig:

- Husk å montere vernebrytere. Hvis de ikke monteres, kan det føre til elektrisk støt.
- Bruk standard kabler med tilstrekkelig kapasitet som strømledninger. Hvis ikke, kan det føre til kortslutning, overoppheting eller brann.
- Ikke ha strekk i kablene ved montering av strømledninger. Hvis kontaktene løsner, kan kablene bryte eller sprekke, med overoppheting eller brann som følge.

1.4. Før testkjøringen starter

⚠ Forsiktig:

- Slå på hovedstrømbryteren minst 12 timer før anlegget tas i bruk. Hvis du starter kjøringen umiddelbart etter å ha slått på strømbryteren, kan det føre til alvorlig skade på interne deler. La hovedstrømbryteren stå på hele tiden i brukssesongen.
- Før bruk må du kontrollere at alle paneler, vern og andre beskyttende deler er korrekt montert. Deler som roterer, er varme eller har høy spenning kan forårsake personskade.

1.5. Bruke kjølemiddelet R32 i klimaanlegg

⚠ Forsiktig:

- Bruk C1220 kopperfosfor, for sømløse rør laget av kopper eller kopperlegeringer, til å kople sammen kjølemiddelrør. Sørg for at rørene er rene innvendig og ikke inneholder noen skadelige kontaminanter, som for eksempel svovelforbindelser, oksidanter, rusk eller støv. Bruk rør med den spesifiserte tykkelsen. (Se 4.1.) Vær oppmerksom på følgende hvis det gjenbrukes rør som har inneholdt R22-kjølemiddel.
 - Skift ut eksisterende leppemuttre og gjør de koniske utvidede delene koniske igjen.
 - Ikke bruk tynne rør. (Se 4.1.)
- Oppbevar rørene som skal brukes i monteringen innendørs og la begge ender av rørene være forseglet inntil like før hardlodding. (La alburør osv. ligge i emballasjen.) Hvis det kommer støv, rusk eller fuktighet inn i kjølemiddelrørene, kan det føre til oljeforringelse eller kompressorhavari.
- Bruk esterolje, eterolje, alkylbenzenolje (liten mengde) som kjøleoljen som påføres de koniske utvidede delene. Hvis det blandes mineralolje inn i kjøleoljen, kan det føre til oljeforringelse.

- Utendørsenheten produserer kondens under oppvarming. Sørg for drenering rundt utendørsenheten hvis slik kondens sannsynligvis vil forårsake skade.
- Ved montering av enheten i et sykehus eller kommunikasjonskontor, må du være forberedt på støy og elektronisk interferens. Vekselrettere, hus-holdningsapparater, høyfrekvens medisinsk utstyr og radiokommunikasjonsutstyr kan forårsake at klimaanlegget får funksjonsfeil eller svikter. Klimaanlegget kan også påvirke medisinsk utstyr, forstyrre medisinsk pleie og kommunikasjonsutstyr ved å skade visningskvaliteten på skjermer.

- Sokkelen og tilbehøret til utendørsenheten må periodevis kontrolleres for å se om noe har kommet løst, fått sprekker eller annen skade. Hvis slike skader ikke repareres, kan enheten falle ned og forårsake skade på eiendom eller personer.
- Ikke vask klimaanlegget med vann. Det kan føre til elektrisk støt.
- Stram alle leppemuttre i henhold til spesifikasjon med en momentnøkkel. Hvis det strammes for mye, kan leppemutteren sprekke etter en lengre periode og kjølemiddel lekker ut.

- Husk å jorde enheten. Du må ikke kople jordledningen til gass- eller vannrør, lynavledere eller jordledninger i telefonanlegget. Hvis enheten ikke er skikkelig jordnet, kan det føre til elektrisk støt.
- Bruk vernebrytere (jordfeilavbryter, isoleringsbryter (+B-sikring) og vernebryter inne i støpt hus) med den spesifiserte kapasiteten. Hvis vernebryterkapasiteten er større enn den spesifiserte kapasiteten, kan det føre til svikt eller brann.

- Brytere må ikke berøres med våte hender. Det kan føre til elektrisk støt.
- Ikke berør kjølemiddelrørene med bare hender under bruk. Kjølemiddelrørene er varme eller kalde, avhengig av tilstanden til det flytende kjølemiddelet. Hvis du berører rørene, kan det føre til brannskade eller forfrysning.
- Vent i minst fem minutter før du slår av hovedstrømbryteren etter å ha slått av anlegget. Hvis ikke, kan det føre til vannlekkasje eller funksjonssvikt.

- Service skal kun foretas som anbefalt av produsenten.
- Ikke bruk noe annet kjølemiddel enn R32.
- Bruk følgende verktøy, som er spesifikt beregnet på bruk med kjølemiddelet R32.
Følgende verktøy er nødvendig for å bruke kjølemiddelet R32. Kontakt nærmeste forhandler hvis du har spørsmål.

Verktøy (for R32)	
Målermanifold	Flammeverktøy
Mateslange	Størrelsesjusteringsmåler
Gasslekkasjedetektor	Vakuumpumpeadapter
Momentnøkkel	Elektronisk matevekt for kjølemiddel

- Bruk korrekt verktøy. Hvis det kommer støv, rusk eller fuktighet inn i kjølemiddelrørene, kan det føre til forringelse av kjøleoljen.

2. Monteringssted

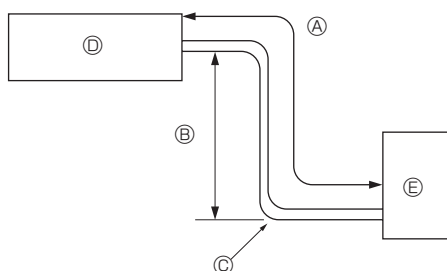


Fig. 2-1

2.1. Kjølemiddelrør (Fig. 2-1)

- Kontroller at høydeforskjellen mellom innendørs- og utendørsenhetene, lengden på kjølemiddelrør og antall rørbøyer er innenfor grensene som står nedenfor.

Modeller	Ⓐ Rørlengde (én vei)	Ⓑ høydeforskjell	Ⓒ Antall rørbøyer (én vei)
M100	Maks. 55 m	Maks. 30 m	Maks. 15
M125/140	Maks. 65 m	Maks. 30 m	Maks. 15

- Begrensningene på høydeforskjellen gjelder uansett hvilken enhet, innendørs eller utendørs, som står høyere.

- Ⓐ Innendørsenhet
- Ⓑ Utendørsenhet

2. Monteringssted

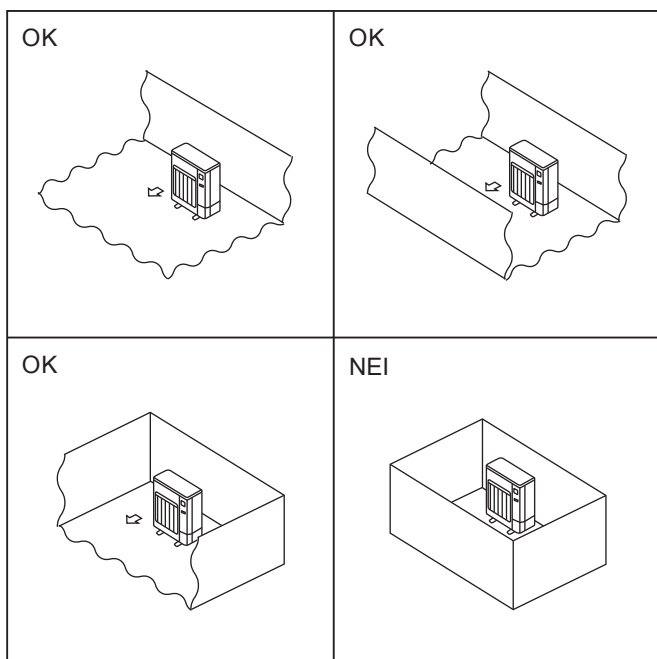


Fig. 2-2

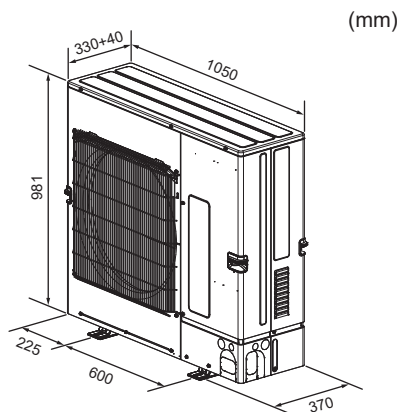


Fig. 2-3

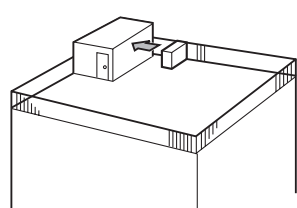


Fig. 2-4

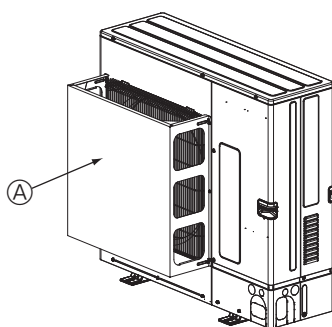


Fig. 2-5

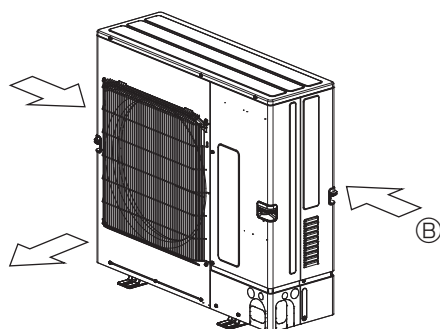


Fig. 2-6

2.2. Velge stedet for montering av utendørsenheten

- Ⓞ R32 er tyngre enn luft- og andre kjølemidler—så det har en tendens til å samle seg i bunnen (nær bakken). Hvis R32 samler seg rundt bunnen, kan den nå en antennbar konsentrasjon i små rom. Sørg for tilstrekkelig ventilasjon for å oppnå et trygt arbeidsmiljø og unngå antenning. Hvis det oppdages kjølemiddellekkasje i et rom eller område med utilstrekkelig ventilasjon, må det ikke brukes åpen ild der for arbeidsmiljøet har blitt forbedret ved å sørge for tilstrekkelig ventilasjon.
- Unngå steder som er eksponert for direkte sollys eller andre varmekilder.
- Velg et sted hvor støy som kommer fra enheten ikke vil være til plage for naboene.
- Velg et sted som gir lett tilgang for rør og ledninger til strømkilde og innendørsenheten.
- Unngå steder der det kan lekke, produseres, flyte eller akkumuleres brennbar gass.
- Vær oppmerksom på at det kan komme vann ut av enheten når den er i bruk.
- Velg et plant sted som kan bære vekten og tåle vibrasjonen til enheten.
- Unngå steder der enheten kan bli dekket av snø. I områder der det kan ventes tungt snøfall, må det tas spesielle forholdsregler som å heve monteringsstedet eller montere en hette på luftinntaket, for å hindre at snø blokkerer luftinntaket eller blåser rett mot det. Dette kan redusere luftstrømmen og føre til funksjonssvikt.
- Unngå steder som eksponeres for olje, damp eller svovelgass.
- Bruk transporthåndtakene på utendørsenheten til å transportere enheten. Hvis enheten bæres etter bunnen, kan hender eller fingre komme i klem.
- Tilkoblingen av kjølemedierørene skal være lett tilgjengelig for vedlikehold.
- Ⓞ Monter utendørsenheter på et sted der minst én av fire sider er åpne, og i et tilstrekkelig stort område uten fordypninger. (Fig. 2-2)

2.3. Utvendige dimensjoner (utendørsenhet) (Fig. 2-3)

2.4. Ventilasjons- og servicerom

2.4.1. Montering på sted med mye vind

Ved montering av utendørsenheten på et tak eller annet sted som ikke er skjermet fra vinden, må luftløpet til enheten plasseres slik at det ikke er direkte eksponert for sterk vind. Sterk vind som kommer inn i luftløpet kan forhindre normal luftstrøm, noe som kan føre til en funksjonsfeil.

Nedenfor finner du tre eksempler på forholdsregler mot sterk vind.

- ① Vend luftløpet mot nærmeste tilgjengelig vegg, omtrent 500 mm unna vegg. (Fig. 2-4)
- ② Monter en luftkanal (ekstrautstyr) hvis enheten monteres på et sted der sterk vind fra en orkan osv. kan komme direkte inn i luftløpet. (Fig. 2-5)
 - Ⓐ Luftløpskanal
- ③ Posisjoner enheten slik at luftløpet står vinkelrett på den rådende vindretningen for årstiden, hvis det er mulig. (Fig. 2-6)
 - Ⓑ Vindretning

2.4.2. Ved montering av en enkel utendørsenhet (se siste side)

Minimumsdimensjoner er som følger, unntatt der det er indikert Maks., som står for maksimumsdimensjoner.

Se tallene for hvert tilfelle.

- ① Hindringer kun bak (Fig. 2-7)
- ② Hindringer kun bak og over (Fig. 2-8)
- ③ Hindringer kun bak og på sidene (Fig. 2-9)
- ④ Hindringer kun foran (Fig. 2-10)
 - * Ved bruk av luftløpskanal (ekstrautstyr), er klaringen 500 mm eller mer.
- ⑤ Hindringer kun foran og bak (Fig. 2-11)
 - * Ved bruk av luftløpskanal (ekstrautstyr), er klaringen 500 mm eller mer.
- ⑥ Hindringer kun bak, på sidene og over (Fig. 2-12)
 - Ikke monter luftløpskanaler for oppadgående luftstrøm.

2.4.3. Ved montering av flere utendørsenheter (se siste side)

La det være en avstand på minst 50 mm for M100-140 mellom enhetene.

- ① Hindringer kun bak (Fig. 2-13)
- ② Hindringer kun bak og over (Fig. 2-14)
 - Det kan ikke monteres mer enn 3 enheter ved siden av hverandre. I tillegg må det være rom mellom dem som vist.
 - Ikke monter luftløpskanaler for oppadgående luftstrøm.
- ③ Hindringer kun foran (Fig. 2-15)
 - * Ved bruk av luftløpskanal (ekstrautstyr) er klaringen for M100-140-modeller 1000 mm eller mer.
- ④ Hindringer kun foran og bak (Fig. 2-16)
 - * Ved bruk av luftløpskanal (ekstrautstyr) er klaringen for M100-140-modeller 1000 mm eller mer.
- ⑤ Plassering av enkel parallell enhet (Fig. 2-17)
 - * Ved bruk av luftløpskanal (ekstrautstyr) montert for oppadgående luftstrøm, er klaringen 1000 mm eller mer.
- ⑥ Plassering av flere parallell enheter (Fig. 2-18)
 - * Ved bruk av luftløpskanal (ekstrautstyr) montert for oppadgående luftstrøm, er klaringen 1500 mm eller mer.
- ⑦ Plassering av stablede enheter (Fig. 2-19)
 - Enhetene kan stables opptil 2 enheter i høyden.
 - Det kan ikke monteres mer enn 2 stablede enheter ved siden av hverandre. I tillegg må det være rom mellom dem som vist.

2. Monteringssted

©2.5. Minimum monteringsområde

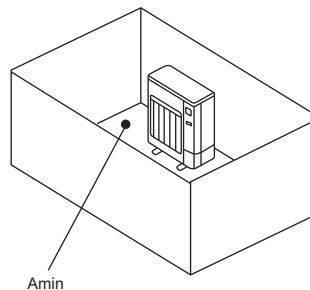
Hvis det ikke er mulig å unngå montering av en enhet i et område der alle fire sider er blokkerte eller det finnes fordypninger, må du bekrefte at minst ett av disse forholdene (A, B eller C) foreligger.

Merk: Disse mottiltakene er kun for sikkerhet, ikke for ytelsesgaranti.

A) Sørg for at monteringsområdet er tilstrekkelig stort (minimum monteringsområde Amin).

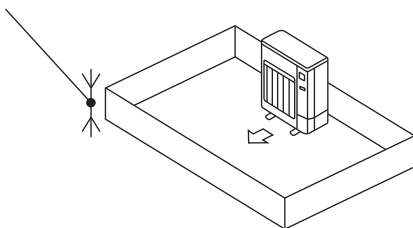
Monter på et sted med monteringsområde med Amin eller mer, i forhold til kjølemiddelmengden M (kjølemiddel fylt på fabrikk + kjølemiddel fylt på lokalt).

M [kg]	Amin [m ²]
1,0	12
1,5	17
2,0	23
2,5	28
3,0	34
3,5	39
4,0	45
4,5	50
5,0	56
5,5	62
6,0	67
6,5	73
7,0	78
7,5	84

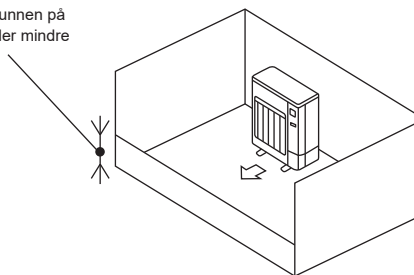


B) Monter på et sted med fordypningshøyde på $\leq 0,125$ [m].

Høyde fra bunnen på
0,125 [m] eller mindre



Høyde fra bunnen på
0,125 [m] eller mindre

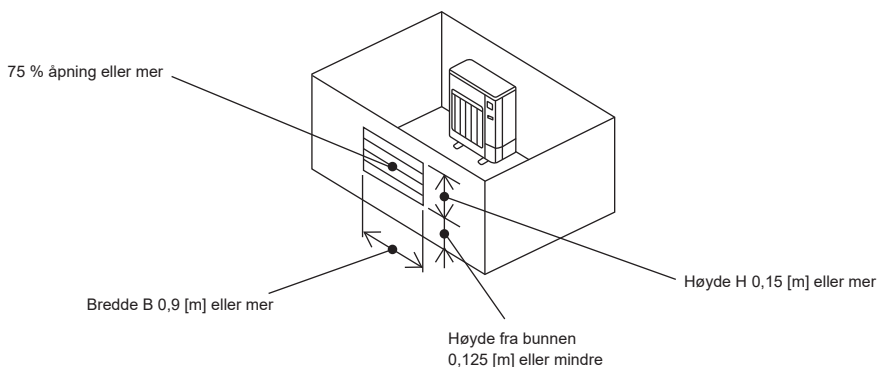


C) Skap et åpent område med tilstrekkelig ventilasjon.

Sørg for at det åpne området har en bredde på 0,9 [m] eller mer, og at høyden på det åpne området er 0,15 [m] eller mer.

Høyde fra bunnen av monteringsområdet til den nedre kanten av det åpne området skal imidlertid være 0,125 [m] eller mindre.

Det åpne området skal ha 75 % åpning eller mer.



2. Monteringssted

■ Innendørsenheter

Monter i et rom med gulvrområde på Amin eller mer, i forhold til kjølemiddelmengden M (kjølemiddel fylt på fabrikk + kjølemiddel fylt på lokalt).

* For mengde kjølemiddel fylt på fabrikk, se spesifikasjon på navneskilt eller installasjonshåndboken.

For mengde kjølemiddel fylt på lokalt, se installasjonshåndboken.

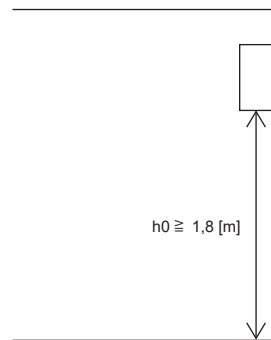
Monter innendørsenheten slik at høyde fra gulvet til bunnen av innendørsenheten er h_0 ;

for veggmontert: 1,8 m eller mer;

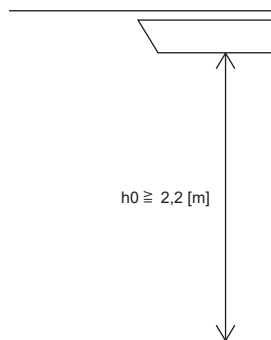
for hengende fra tak, montert i kassett eller skjult i tak: 2,2 m eller mer.

* Det finnes begrensninger for monteringshøyde for hver modell, så les installasjonshåndboken for den angjeldende enheten.

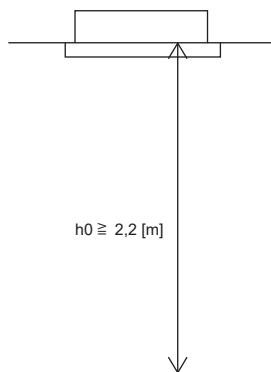
M [kg]	Amin [m ²]
1,0	4
1,5	6
2,0	8
2,5	10
3,0	12
3,5	14
4,0	16
4,5	20
5,0	24
5,5	29
6,0	35
6,5	41
7,0	47
7,5	54



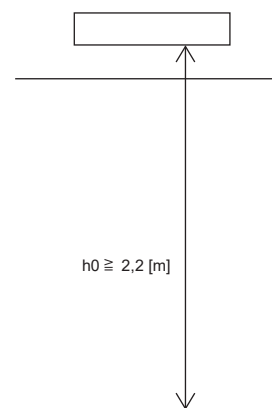
Veggmontert



Hengende fra tak

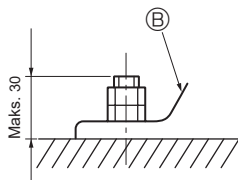
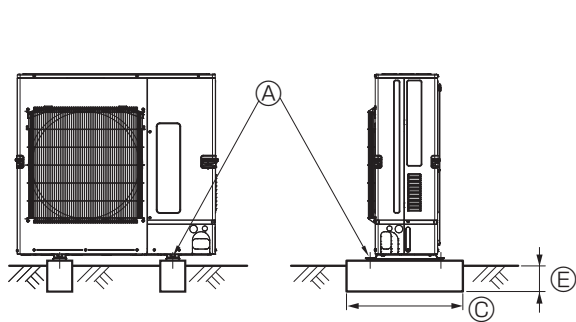


Kassett



Skjult i taket

3. Montere utendørsenheten



- Ⓐ M10 (3/8") bolt
- Ⓑ Sokkel
- Ⓒ Så lang som mulig.
- Ⓓ Lufteåpning
- Ⓔ Sett dypt ned i bakken.

(mm)

- Sørg for å montere enheten på et solid, plant underlag. Det vil forhindre klaprelyder under drift. (Fig. 3-1)

<Fundamentspesifikasjoner>

Fundamentbolt	M10 (3/8")
Betongtykkelse	120 mm
Boltens lengde	70 mm
Vektbærende kapasitet	320 kg

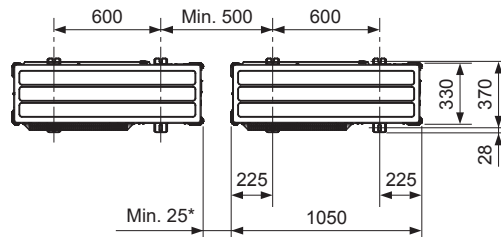
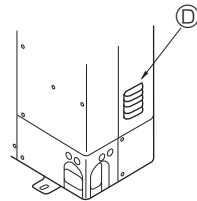
- Sørg for at lengden på fundamentboltene er innenfor 30 mm fra fundamentbunnen.
- Fest sokkelen til enheten forsvarlig med fire M10-fundamentbolter på robuste steder.

Montere utendørsenheten

- Ikke blokker luftåpningen. Hvis luftåpningen blokkeres, vil driften bli hindret og det kan føre til funksjonssvikt.
- I tillegg til enhetssokkelen, bruk monteringshullene på baksiden av enheten til å feste vauere osv. hvis det er nødvendig for å montere enheten. Bruk selvtapende skruer (ø5 × 15 mm eller mindre) og monter på stedet.

⚠ Advarsel:

- Enheten må monteres forsvarlig på en struktur som tåler dens vekt. Hvis enheten monteres på en ustabil struktur, kan den falle ned og forårsake skade på eiendom eller personer.
- Enheten må monteres i henhold til instruksene for å minimere risikoen for skade som følge av jordskjelv, orkan eller sterk vind. En feilmontert enhet kan falle ned og forårsake skade på eiendom eller personer.



* Ved montering av én enkelt utendørsenhet er klaringen 15 mm eller mer.

Fig. 3-1

4. Montere kjølemiddelrør

4.1. Forholdsregler for innretninger som bruker kjølemiddelet R32

- Se 1.5. for forholdsregler som ikke står nedenfor om bruk av klimaanlegg med kjølemiddelet R32.
- Bruk esterolje, eterolje, alkylbenzenolje (liten mengde) som kjøleoljen som påføres de koniske utvidede delene.
- Bruk C1220 kopperfosfor, for sømløse rør laget av kopper eller kopperlegeringer, til å kople sammen kjølemiddelrør. Bruk kjølemiddelrør som har den tykkelsen som er spesifisert i tabellen nedenfor. Sørg for at rørene er rene innvendig og ikke inneholder noen skadelige kontaminanter, som for eksempel svovelforbindelser, oksidanter, rusk eller støv. Bruk alltid hardlodding uten oksidering ved hardlodding av rørene, ellers kan kompressoren bli skadet.

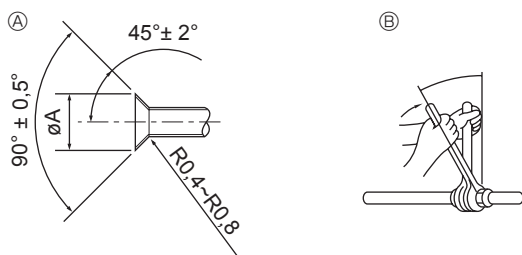
⚠ Advarsel:

Ved montering eller flytting, eller service på klimaanlegget, må det bare brukes spesifisert kjølemedium (R32) i kjølemediumrørene. Ikke bland den med andre kjølemidler og ikke la det være igjen luft i rørene. Hvis luft blir blandet med kjølemiddelet, kan det forårsake unormalt høyt trykk i kjølemiddelrøret, og det kan føre til eksplosjon og andre farer. Bruk av andre kjølemidler enn det som er spesifisert for systemet vil forårsake mekanisk svikt, systemsvikt eller enhetshavari. I verste fall kan dette føre til at det blir veldig vanskelig å feste produktet på en sikker måte.

Rørstørrelse (mm)	ø6,35	ø9,52	ø12,7	ø15,88	ø19,05	ø22,2	ø25,4	ø28,58
Tykkelse (mm)	0,8	0,8	0,8	1,0	1,0	1,0	1,0	1,0

- Ikke bruk rør som er tynnere enn dem spesifisert ovenfor.
- Bruk 1/2 H- eller H-rør hvis diameteren er 19,05 mm eller større.
- Sørg for tilstrekkelig ventilasjon for å unngå antenning. Iverksett også forebyggende branniltak ved å sørge for at det ikke finnes farlige eller lettantennelige gjenstander i det omkringliggende området.

4. Montere kjølemiddelrør



- Ⓐ Leppeskjæringsdimensjoner
Ⓑ Tiltrekingsmoment for leppemutter

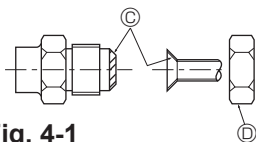


Fig. 4-1

Ⓐ (Fig. 4-1)

Kopperrør U.D. (mm)	Leppedimensjoner ØA-dimensjoner (mm)
Ø6,35	8,7 - 9,1
Ø9,52	12,8 - 13,2
Ø12,7	16,2 - 16,6
Ø15,88	19,3 - 19,7
Ø19,05	23,6 - 24,0

Ⓑ (Fig. 4-1)

Kopperrør U.D. (mm)	Leppemutter U.D. (mm)	Strammemoment (N·m)
Ø6,35	17	14 - 18
Ø6,35	22	34 - 42
Ø9,52	22	34 - 42
Ø12,7	26	49 - 61
Ø12,7	29	68 - 82
Ø15,88	29	68 - 82
Ø15,88	36	100 - 120
Ø19,05	36	100 - 120

4.2. Kople til rør (Fig. 4-1)

- Når det brukes kommersielt tilgjengelige rør, skal væske- og gassrør vikles inn i kommersielt tilgjengelig isolasjonsmateriale (varmebestandig til 100°C eller mer med tykkelse på 12 mm eller mer).
- Innendørsdelene av avløpsrøret skal vikles med isolasjonsmateriale laget av polyetylenskum (egenvekt 0,03, tykkelse 9 mm eller mer).
- Påfør et tynt lag med kjølevæskeolje på rør og skjøtseteflater før du strammer leppemutteren. Ⓐ
- Bruk to nøkler til å stramme rørkoplingene. Ⓑ
- Bruk en lekkasjedetektor eller såpevann til å kontrollere for gasslekkasjer etter at koplingene er fullført.
- Påfør kjølemaskinolje på hele leppeseteflaten. Ⓒ
- Bruk leppemutrene for følgende rørstørrelser. Ⓓ

Gassside	Rørstørrelse (mm)	Ø15,88
Væskeside	Rørstørrelse (mm)	Ø9,52

- Vær varsom når rørene bøyes, slik at de ikke brytes. Bøyeradius på 100 mm til 150 mm er tilstrekkelig.
- Sørg for at rørene ikke kommer i kontakt med kompressoren. Det kan føre til unormal støy eller vibrasjon.
- ⓫ Rørene må koples til fra innendørsenheten først. Leppemuttre må strammes med en momentnøkkel.
- ⓫ Lag lepper på væskerørene og gassrørene og påfør et tynt lag med kjøleolje (påføres på stedet).
- Når det brukes vanlig rørtetting, se Tabell 1 for utvidelse av rør for R32-kjølemiddel. Størrelsejusteringsmåleren kan brukes til å bekrefte A-målene.

Tabell 1 (Fig. 4-2)

Kopperrør U.D. (mm)	A (mm)	
	Flammeverktøy for R32	Leppeverktøy for R22-R407C
	Clutchtype	
Ø6,35 (1/4")	0 - 0,5	1,0 - 1,5
Ø9,52 (3/8")	0 - 0,5	1,0 - 1,5
Ø12,7 (1/2")	0 - 0,5	1,0 - 1,5
Ø15,88 (5/8")	0 - 0,5	1,0 - 1,5
Ø19,05 (3/4")	0 - 0,5	1,0 - 1,5

4.3. Kjølemiddelrør (Fig. 4-3)

Fjern servicepanel Ⓓ (3 skruer) og dekselet foran Ⓐ (2 skruer) og dekselet bak Ⓑ (5 skruer).

- Kople sammen rørene mellom innendørs- og utendørsenheten når utendørsenhets stengeventil er helt stengt.
- Tøm innendørsenheten og forbindelsesrør for luft ved bruk av vakuüm.
- Etter tilkopling av kjølemiddelrør må du kontrollere de tilkoblede rørene og innendørsenheten for gasslekkasjer. (Se 4.4. Metode for å teste om kjølemiddelrør er lufttett)
- En høyeffekts vakuümpumpe brukes ved stengeventilens serviceport til å opprettholde et vakuüm i tilstrekkelig tid (minst én time etter å ha nådd -101 kPa (5 Torr)) for å vakuümtørke rørene innvendig. Kontroller alltid vakuümgraden ved målermanifolden. Hvis det er fuktighet igjen i røret, hender det at vakuümgraden ikke nås på kort tid etter at vakuüm settes på. Etter vakuümtørking skal stengeventilene åpnes helt (både væske og gass) for utendørsenheten. Dette forbinder kjølevæskesystemene i innendørs- og utendørsenheten.
 - Hvis vakuümtørkingen er utilstrekkelig, kan vanddamp bli igjen i kjølemiddelkretsene og forårsake unormalt høy trykkøkning, unormalt lav trykkreduksjon, forringelse av kjølemaskinen på grunn av fuktighet osv.
 - Hvis stengeventilene forblir stengt og enheten tas i bruk, vil kompressoren og reguleringsventilene bli skadet.
 - Bruk en lekkasjedetektor eller såpevann til å finne eventuelle lekkasjer i rørforbindelsesdelene i utendørsenheten.
 - Ikke bruk kjølemiddel fra enheten til å tvinge luft ut av kjølemiddelrørene.
 - Etter fullført ventilarbeid skal ventillokkene strammes til korrekt moment: 20 til 25 N·m (200 til 250 kgf·cm). Hvis du lar være å sette på og stramme lokkene, kan de føre til kjølemiddel-lekkasje. Dessuten må du ikke skade innsiden av ventillokkene ettersom de fungerer som tetninger som forhindrer kjølemiddel-lekkasje.
- Bruk tetningsmiddel til å forsegle endene på varmeisolasjonen rundt rørforbindelsesdelene for å forhindre at det kommer vann inn i varmeisolasjonen.

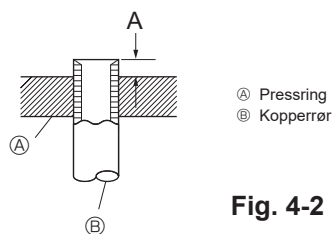
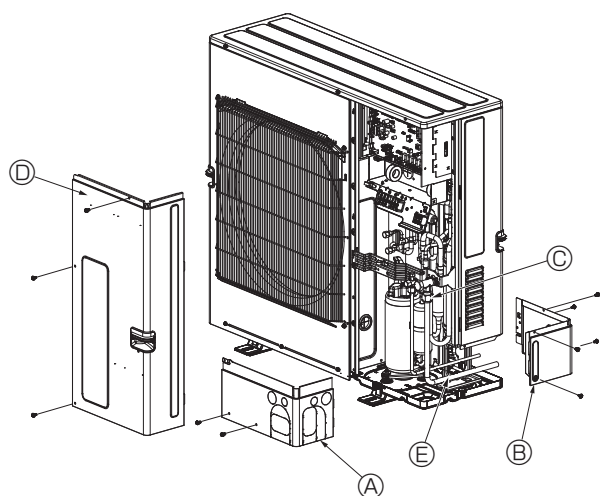


Fig. 4-2



- Ⓐ Fremre rørdexsel
Ⓑ Bakre rørdexsel
Ⓒ Stengeventil
Ⓓ Servicepanel
Ⓔ Bøyeradius : 100 mm - 150 mm

Fig. 4-3

4. Montere kjølemiddelrør

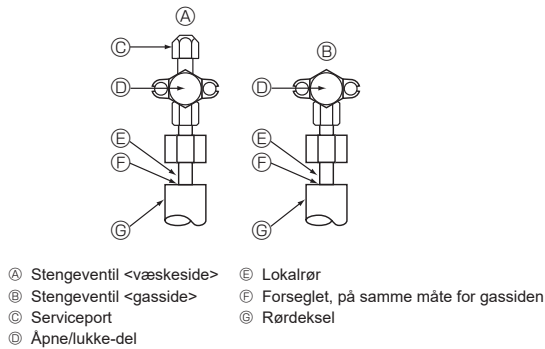


Fig. 4-4

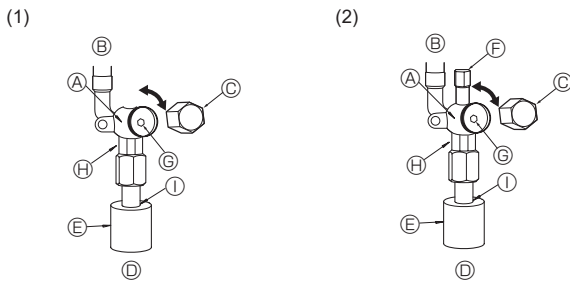


Fig. 4-5

Fig. 4-6

- A Ventil
- B Enhetsside
- C Lokk
- D Lokalrørside
- E Rørdeksel
- F Serviceport
- G Nøkkelhull
- H Dobbelnøkkel
(Ikke bruk nøkkel andre steder enn på denne delen. Det kan føre til lekkasje av kjølemiddel.)
- I Tetningsdel
(Forsegl enden av varmeisolasjonsmaterialet ved rørkopplingsdelen med det tetningsmaterialet du har til rådighet, slik at vann ikke kan komme inn i varmeisolasjonsmaterialet.)

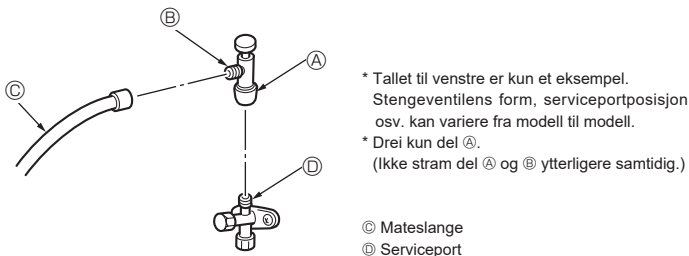


Fig. 4-7

4.6. Fylling av kjølemiddel

- Påfyll av ekstra kjølemiddel er ikke nødvendig hvis rørlengden er under 30 m.
- Hvis rørlengden er over 30 m, må enheten fylles med ekstra R32-kjølemiddel i henhold til de tillatte rørlengdene i tabellen nedenfor.
- * Når enheten er stanset, fyller du på ekstra kjølemiddel gjennom væskestengeventilen etter at rørforlengerne og innendørsenheten er blitt satt i vakuüm. Når enheten er i bruk, fyller du kjølemiddel i tilbakeslagsventilen for gass ved bruk av en sikkerhetsmater. Ikke fyll kjølemiddel direkte i tilbakeslagsventilen.
- * Etter å ha fylt kjølemiddel på enheten, noter kjølemiddelmengden på servicemerket (festet til enheten).
Se "1.5. Bruke kjølemiddelet R32 i klimaanlegg" for mer informasjon.

4.4. Metode for å teste om kjølemiddelrør er lufttett (Fig. 4-4)

- (1) Kople til testverktøyene.
 - Sørg for at stengeventilene A og B er stengt. Du må heller ikke åpne dem.
 - Sett trykk på kjølemiddellinjene gjennom serviceporten C i væskestengeventilen A.
- (2) Ikke sett på alt det spesifiserte trykket med en gang. Øk trykket litt av gangen.
 - ① Sett trykket på 0,5 MPa (5 kgf/cm²G), vent 5 minutter og forsikre deg om at trykket ikke øker.
 - ② Sett trykket på 1,5 MPa (15 kgf/cm²G), vent 5 minutter og forsikre deg om at trykket ikke øker.
 - ③ Øk trykket til 4,15 MPa (41,5 kgf/cm²G) og mål omgivelsestemperaturen og kjølemiddeltrykket.
- (3) Hvis det spesifiserte trykket holder seg i omtrent 1 dag og ikke synker, har rørene bestått testen og er uten lekkasjer.
 - Hvis omgivelsestemperaturen endres med 1°C, vil trykket endre seg med omtrent 0,01 MPa (0,1 kgf/cm²G). Foreta de nødvendige korreksjonene.
- (4) Hvis trykket faller i trinn (2) eller (3), finnes det en gasslekkasje. Se etter kilden til gasslekkasjen.

4.5. Metode for åpning av stengeventilen

Metoden som brukes til å åpne stengeventilen varierer med utendørsmodellen. Bruk riktig metode til å åpne stengeventilene.

- (1) Gasside (Fig. 4-5)
 - ① Fjern lokket og dreii ventilstangen mot klokken så langt den går, ved å bruke en 5 mm sekskantnøkkel. Slutt å dreie når den treffer sperren. (Ø15,88: Ca. 13 omdreininger)
 - ② Sørg for at stengeventilen er helt åpen, skyv håndtaket og dreii lokket tilbake til utgangsstillingen.
- (2) Væskeside (Fig. 4-6)
 - ① Fjern lokket og dreii ventilstangen mot klokken så langt den går, ved å bruke en 4 mm sekskantnøkkel. Slutt å dreie når den treffer sperren. (Ø9,52: ca. 10 omdreininger)
 - ② Sørg for at stengeventilen er helt åpen, skyv håndtaket og dreii lokket tilbake til utgangsstillingen.

Kjølemiddelrør er innpakket for beskyttelse

- Rørene kan pakkes inn for beskyttelse opptil en diameter på Ø90 før eller etter tilkopling av rørene. Skjær ut utstøterområdet i rørdekslet ved å følge sporet og pakk inn rørene.

Rørinntaksåpning

- Bruk kitt eller tetningsmasse til å forsegle rørinntaket rundt rørene slik at det ikke blir igjen noen åpning. (Hvis åpningene ikke tettes, kan det oppstå støv eller komme vann og støv inn i enheten, med havari som resultat.)

Forholdsregler ved bruk av fylleventil (Fig. 4-7)

Ikke stram serviceporten for mye når den monteres. Hvis du gjør det, kan ventilinnsatsen bli deformert, komme løs og forårsake en gasslekkasje.

Etter å ha satt del B i ønsket retning, skal du dreie kun del A og stramme den. Ikke stram del A og B ytterligere samtidig etter stramming av del A.

⚠ Advarsel:

Når man installerer enheten, må kjølemiddelrørene koples godt til før man starter kompressoren.

Modell	Tillatt rørlengde	Tillatt vertikal forskjell	Påfylling av ekstra mengde kjølemiddel					©Maksimum mengde kjølemiddel
			31 - 40 m	41 - 50 m	51 - 55 m	56 - 60 m	61 - 65 m	
M100	- 55 m	- 30 m	0,4 kg	0,8 kg	1,0 kg	—	—	4,1 kg
M125, 140	- 65 m	- 30 m	0,4 kg	0,8 kg	1,0 kg	1,2 kg	1,4 kg	5,0 kg

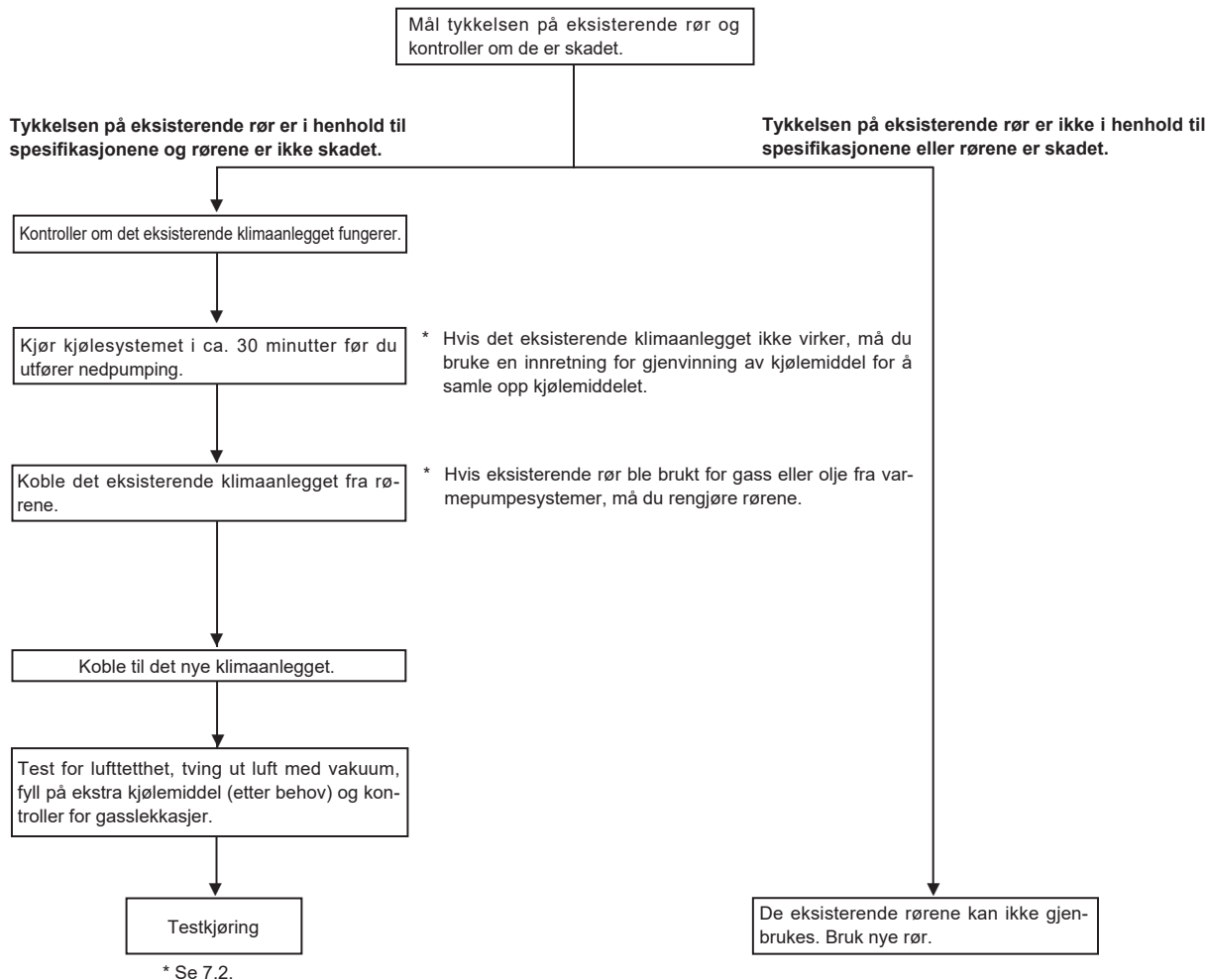
4. Montere kjølemiddelrør

Påfylling av kjølemiddel (kg) for mindre enn 30 m (ufylt rørlengde)

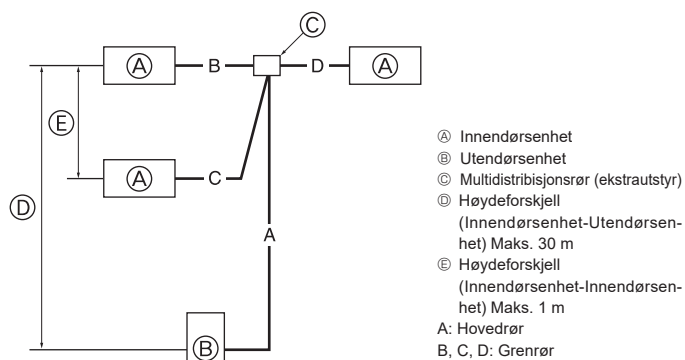
Utendørsenhet	5 m og mindre	6 - 10 m	11 - 15 m	16 - 20 m	21 - 25 m	26 - 30 m
M100	2,0	2,2	2,4	2,6	2,8	3,1
M125, 140	2,6	2,8	3,0	3,2	3,4	3,6

4.7. Forholdsregler ved bruk av eksisterende rør som har inneholdt R22-kjølemiddel

- Se flytdiagrammet nedenfor for å fastslå om de eksisterende rørene kan brukes og om det er nødvendig å bruke en filtertørker.
- Hvis diameteren til de eksisterende rørene er en annen enn den spesifiserte diameteren, må du sjekke det tekniske datamaterialet for å bekrefte om rørene kan brukes.



<Grenser for montering av kjølemiddelrør>



M100 : $A+B+C (+D) \leq 55$ m
 M125, 140 : $A+B+C (+D) \leq 65$ m

* "D" er for trippel.

Fig. 4-8

4.8. For dobbel-/trippelkombinasjon (Fig. 4-8)

- Når denne enheten brukes som en FREE COMPO MULTI-enhet, må kjølemiddelrør monteres med begrensningene indikert i tegningen til venstre. I tillegg, hvis restriksjonene vil bli overskredet, eller hvis det kommer til å være kombinasjoner av innendørs- og utendørsenheter, må du se monteringsinstruksene for innendørsenheten for å finne detaljer om monteringen.

Utendørsenhet	Tillatt total rørlengde A+B+C+D	B eller C eller D	Ufylt rørlengde A+B+C+D
M100	55 m eller mindre	20 m eller mindre	30 m eller mindre
M125, 140	65 m eller mindre	20 m eller mindre	30 m eller mindre

Utendørsenhet	B-C eller B-D eller C-D	Antall bøyninger
M100-140	8 m eller mindre	Innen 15

5. Arbeid med avløpsrør

Kopling for utendørsenhets avløpsrør

Når det er nødvendig å drenere rør, skal du bruke dreneringsmuffen eller drenspannen (ekstrautstyr).

	M100-140
Avløpsmuffe	PAC-SG61DS-E
Drenspanne	PAC-SH97DP-E

6. Elektrisk arbeid

6.1. Utendørsenhet (Fig. 6-1, Fig. 6-2)

- ① Fjern servicepanelet.
- ② Kople til kablene med henvisning til Fig. 6-1 og Fig. 6-2.

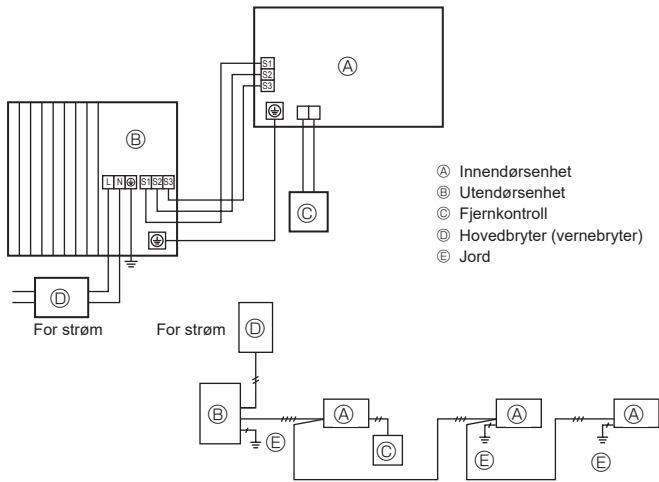


Fig. 6-1

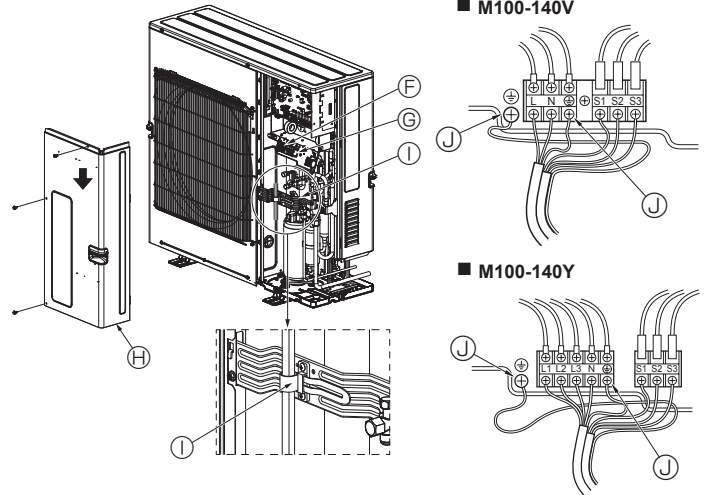


Fig. 6-2

- F Rekketern
- G Innendørs/utendørs tilkoplingsrekkelemme (S1, S2, S3)
- H Servicepanel
- I Klemme
- * Klem kablene slik at de ikke kommer i kontakt med midten av servicepanelet eller gassventilen.
- J Jordterminal

Merk:
Hvis vernedekselet på koplingsboksen er fjernet under service, må det settes på igjen.

⚠ Forsiktig:

Husk å montere N-linje. Uten N-linje kan enheten bli skadet.

6. Elektrisk arbeid

6.2. Feltelektriske ledninger

Utendørsenhet-modell		M100, 125V	M140V	M100, 125, 140Y
Utendørsenhetens strømkilde		~/N (enkel), 50 Hz, 230 V	~/N (enkel), 50 Hz, 230 V	3N~ (3-faset 4-ledninger), 50 Hz, 400 V
Utendørsenhetens inngangskapasitet Hovedbryter (avbryter) *1		32 A	40 A	16 A
Ledninger Ledning nr. x tykkelse (mm ²)	Utendørsenhetens strømkilde	3 x Min. 6	3 x Min. 6	5 x Min. 1,5
	Innendørsenhet-utendørsenhet	3 x 1,5 (Polar)	3 x 1,5 (Polar)	3 x 1,5 (Polar)
	Innendørsenhet-utendørsenhet jord	1 x Min. 1,5	1 x Min. 1,5	1 x Min. 1,5
	Fjernkontroll - innendørsenhet	2 x 0,3 (ikke-polar)	2 x 0,3 (ikke-polar)	2 x 0,3 (ikke-polar)
Nominell kret- syttelse	Utendørsenhet L-N (enkel)	*4	230 VAC	230 VAC
	Utendørsenhet L1-N, L2-N, L3-N (3-fase)	*4	230 VAC	230 VAC
	Innendørsenhet-utendørsenhet S1-S2	*4	24 VDC	24 VDC
	Innendørsenhet-utendørsenhet S2-S3	*4	12 VDC	12 VDC

*1. Det skal følge med en avbryter med minst 3,0 mm kontaktseparasjon i hver pol. Bruk avbryter for uønsket jordkontakt (NV).

Sørg for at lekkasjestrømbryteren er kompatibel med høyere harmoniske oversvingninger.

Bruk alltid en lekkasjestrømbryter som er kompatibel med høyere harmoniske oversvingninger, ettersom denne enheten er utstyrt med en vekselretter.

Bruk av en utilstrekkelig avbryter kan forårsake at vekselretteren fungerer på feil måte.

*2. Maks. 45 m

Hvis det brukes 2,5 mm², maks. 50 m

Hvis det brukes 2,5 mm² og S3 er separert, maks. 80 m



*3. 10 m-ledningen er festet til fjernkontrolltilbehøret.

*4. Tallene er IKKE alltid mot jord.

S3-klemmen har 24 VDC mot S2-klemmen. Mellom S3 og S1 er imidlertid disse klemmene IKKE elektrisk isolert av transformatoren eller en annen enhet.

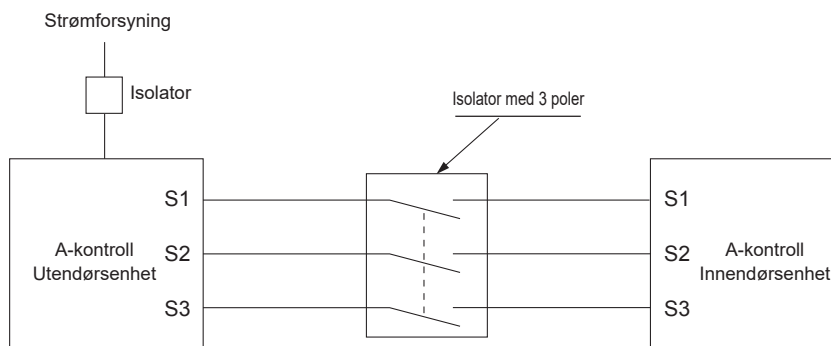
Merknader: 1. Ledninger må være i samsvar med gjeldende lokalt og nasjonalt regelverk.

2. Strømledninger og forbindelsesledninger mellom innendørs- og utendørsenhet skal ikke være lettere enn fleksibel ledning mantlet med polyklortri fluoretylenplast. (Design 60245 IEC 57)

3. Bruk en jordledning som er lenger enn de andre ledningene, slik at den ikke frakoples hvis den strammes.

4. Bruk selvslukkende distribusjonskabler til strømforsyningen.

5. Legg kablene slik at de ikke kommer borti kanten av platemetallet eller tuppen av en skrue.



⚠ Advarsel:

- Når det gjelder A-kontrollledningene er det mulighet for høy spenning på S3-klemmen. Dette forårsakes av en design av den elektriske kretsen som ikke har noen elektrisk isolering mellom strømledningen og kommunikasjonssignalledningen. Derfor må hovedstrømbryteren slås av ved service. Og, ikke rør S1-, S2- eller S3-klemmene når strømmen er på. Hvis det brukes isolator mellom innendørs- og utendørsenheten, må den være av typen med 3 poler.

Strømkabelen eller forbindelseskabelen mellom innendørs- og utendørsenheten må aldri skjøtes, for det kan føre til at det oppstår røyk, brann eller kommunikasjonssvikt.

Sørg for å kople innendørs-utendørs-forbindelseskablene direkte til enhetene (ingen mellomliggende koplinger).

Mellomkoplinger kan føre til kommunikasjonsfeil hvis det kommer vann inn i kablene, og forårsake utilstrekkelig isolasjon til jord eller dårlig elektrisk kontakt ved det mellomliggende koplingspunktet.

7. Testkjøring

7.1. Før testkjøring

- ▶ Etter fullført installasjon og kopling av ledninger og rør til innendørs- og utendørsenheter, må du kontrollere om det lekker kjølemiddel, om strøm- eller kontrollledninger er løse, har feil polaritet og at ingen fase er frakoplet i strømforsyningen.
- ▶ Bruk en 500 V megaohm-måler til å kontrollere motstanden mellom strømforsyningsklemmene og jord er minst 1 MΩ.
- ▶ Ikke utfør denne testen på klemmene i kontrollledningene (lavspenningskrets).

⚠ Advarsel:

Ikke bruk klimaanlegget hvis isolasjonsmotstanden er mindre enn 1 MΩ.

Isolasjonsmotstand

Etter installasjon eller etter at strømkilden til enheten har vært frakoplet i en lengre periode, vil isolasjonsmotstanden falle til under 1 MΩ fordi det samler seg kjølemiddel i kompressoren. Dette er ikke en produktfeil. Følg denne fremgangsmåten.

1. Fjern ledningene fra kompressoren og mål isolasjonsmotstanden til kompressoren.
2. Hvis isolasjonsmotstanden er under 1 MΩ, er enten kompressoren defekt eller så har det akkumulert seg kjølemiddel i kompressoren.
3. Etter kopling av ledningene til kompressoren vil kompressoren begynne å varme opp etter at strømmen slås på. Mål isolasjonsmotstanden på nytt etter å ha hatt strømmen på i periodene angitt nedenfor.

7.2. Testkjøring

7.2.1. Bruke SW4 i utendørsenheten

SW4-1	PÅ	Avkjøling
SW4-2	AV	
SW4-1	PÅ	Oppvarming
SW4-2	PÅ	

* Etter testkjøring, sett SW4-1 på OFF (av).

- Etter at strømmen er slått på kan det kanskje høres en liten klikkelyd innenfra utendørsenheten. Den elektroniske ekspansjonsventilen åpnes og lukkes. Det er ikke noe galt med enheten.
- Etter et par sekunder etter at kompressoren starter kan det kanskje høres en klirrelyd innenfra utendørsenheten. Støyen kommer fra tilbakeslagsventilen på grunn av den lille forskjellen i trykket i rørene. Det er ikke noe galt med enheten.

8. Spesialfunksjoner

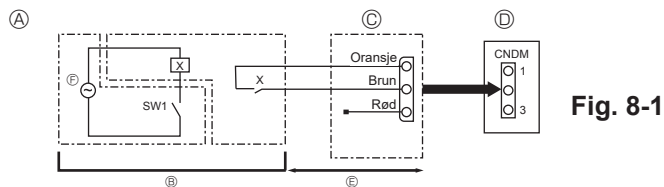


Fig. 8-1

- Ⓐ Eksempel på koblingskjema (lav støy-modus)
- Ⓑ Ordnes på stedet
- Ⓒ Ekstern inngangsadapter (PAC-SC36NA-E)
- X: Relé
- Ⓓ Utendørsenhetsens kontrollpanel
- Ⓔ Maks. 10 m
- Ⓕ Strømkilde for relé

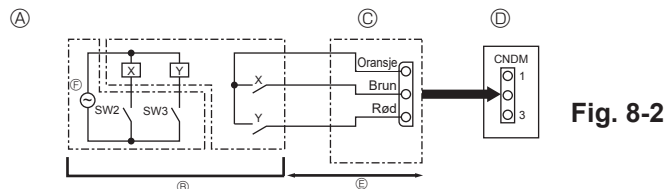


Fig. 8-2

- Ⓐ Eksempel på koblingskjema (etterspørselsfunksjon)
- Ⓑ Ordnes på stedet
- X, Y: Relé
- Ⓒ Ekstern inngangsadapter (PAC-SC36NA-E)
- Ⓓ Utendørsenhetsens kontrollpanel
- Ⓔ Maks. 10 m
- Ⓕ Strømkilde for relé

- Isolasjonsmotstanden faller på grunn av at det samler seg kjølemiddel i kompressoren. Motstanden vil stige til over 1 MΩ etter at kompressoren er varmet opp i 4 timer. (Tiden som trengs for å varme opp kompressoren varierer med de atmosfæriske forholdene og akkumuleringen av kjølemiddel.)
 - For å bruke kompressoren med kjølemiddel akkumulert i kompressoren må kompressoren varmes opp i minst 12 timer for å forhindre driftsfeil.
4. Hvis isolasjonsmotstanden stiger til over 1 MΩ, er kompressoren ikke defekt.

⚠ Forsiktig:

- Kompressoren vil ikke fungere med mindre strømforsyningens fasekopling er korrekt.
- Slå på strømmen minst 12 timer før anlegget tas i bruk.
- Hvis du tar i bruk anlegget umiddelbart etter å ha slått på hovedstrømbryteren, kan det føre til alvorlig skade på interne deler. La strømbryteren stå på hele tiden i brukssesongen.

▶ Følgende må også kontrolleres.

- Det er ikke noe galt med utendørsenheten. LED1 og LED2 på kontrollpanelet på utendørsenheten blinker når utendørsenheten er defekt.
- Stengeventilene for både gass og væske er helt åpne.
- En beskyttende folie dekker overflaten på DIP-bryterpanelet på kontrollpanelet på utendørsenheten. Fjern den beskyttende folien slik at det blir lett å bruke DIP-bryterne.

Testkjøringsdriftsmodusen kan ikke endres med DIP-bryter SW4-2 under testkjøringen. (For å skifte driftsmodus fra testkjøring til noe annet under testkjøringen, må testkjøringen stanses med DIP-bryter SW4-1. Etter skifte av driftsmodus kan testkjøringen gjenopptas med bryter SW4-1.)

7.2.2. Bruke fjernkontrollen

Se monteringshåndboken for innendørsenheten.

Merk :

Av og til kan damp som lages av defrostringen virke som om det kommer røyk ut av utendørsenheten.

8.1. Lav støy-modus (modifisering på stedet) (Fig. 8-1)

Ved å utføre følgende modifisering kan støyen som kommer fra utendørsenheten under drift reduseres med omtrent 3-4 dB.

Lav støy-modus vil aktiveres når et tidsur som kan kjøpes fra en butikk, eller kontaktinngangen til en ON (på)/OFF (av)-bryter som settes inn i CNDM-kontakten (ekstraustyr) på kontrollpanelet på utendørsenheten.

- Kapasiteten varierer i henhold til utetemperatur og -forhold osv.

- 1 Fullfør kretsen som vist ved bruk av den eksterne inngangsadapteren (PAC-SC36NA-E). (Ekstraustyr)
- 2 SW7-1 (Utendørsenhetsens kontrollpanel): AV
- 3 SW1 PÅ: Lav støy-modus
SW1 AV: Normal drift

8.2. Etterspørselsfunksjon (modifisering på stedet) (Fig. 8-2)

Ved å utføre følgende modifisering kan energiforbruket bli redusert med 0-100 % av normalt forbruk.

Etterspørselsfunksjonen vil aktiveres når et tidsur som kan kjøpes fra en butikk, eller kontaktinngangen til en ON (på)/OFF (av)-bryter som settes inn i CNDM-kontakten (ekstraustyr) på kontrollpanelet på utendørsenheten.

- 1 Fullfør kretsen som vist ved bruk av den eksterne inngangsadapteren (PAC-SC36NA-E). (Ekstraustyr)
- 2 Ved å stille inn SW7-1 på kontrollpanelet på utendørsenheten kan energiforbruket (sammenlignet med normalt forbruk) begrenses som vist nedenfor.

	SW7-1	SW2	SW3	Energiforbruk
Etterspørselsfunksjon	PÅ	AV	AV	100%
		PÅ	AV	75%
		PÅ	PÅ	50%
		AV	PÅ	0% (stopp)

no

8. Spesialfunksjoner

8.3. Samling av kjølemiddel (pumpe ned)

Bruk følgende fremgangsmåter for å samle kjølemiddel når innendørs- eller utendørsenheten flyttes.

① Strømtilførsel (vernebryter).

* Når strømmen er på, må du se til at fjernkontrollen ikke viser "CENTRALLY CONTROLLED" (styres sentralt). Hvis "CENTRALLY CONTROLLED" blir vist, kan ikke innsamling av kjølemiddel (pumpe ned) fullføres på normal måte.

* Start av kommunikasjon mellom innendørs- og utendørsenheten tar omtrent 3 minutter etter strømmen (vernebryter) er slått på. Start pumpe-ned 3 til 4 minutter etter at strømmen (vernebryter) settes på ON (på).

② Etter at væskestengeventilen er stengt, må du sette SWP-bryteren på kontrollpanelet på utendørsenheten på ON (på). Kompressoren (utendørsenhet) og ventilatorer (innendørs- og utendørsenheter) begynner å gå og innsamlingen av kjølemiddel begynner. LED1 og LED2 på kontrollpanelet til utendørsenheten tennes.

* Sett kun SWP-bryteren (trykknapp) på ON (på) hvis enheten er stanset. Hvis enheten er stanset og SWP-bryteren står på ON i mindre enn 3 minutter etter at kompressoren stanses, kan imidlertid innsamling av kjølemiddel ikke gjøres. Vent til kompressoren er stanset i 3 minutter og sett deretter SWP-bryteren på ON igjen.

③ Fordi enheten automatisk stanser 2 til 3 minutter etter at innsamlingen av kjølemiddelet er fullført (LED1 av, LED2 lyser), må gass-stengeventilen stenges raskt. Hvis LED1 lyser og LED2 er av og utendørsenheten er stanset, blir ikke innsamlingen av kjølemiddel gjort på riktig måte. Åpne væskestengeventilen helt og gjenta trinn ② etter at det er gått 3 minutter.

* Hvis innsamlingen av kjølemiddel er fullført på normal måte (LED1 av, LED2 lyser), vil enheten forbli stanset inntil strømmen slås av.

④ Slå av strømmen (vernebryter).

* Merk at når forlengelsesrørene er svært lange med store mengder kjølemiddel, kan det hende at det ikke er mulig å utføre nedpumping. Når pumpe-ned utføres, må du sørge for at det lave trykket senkes til nær 0 MPa (måler).

⚠ **Advarsel:**

Når kjølemiddel pumpes ned, må kompressoren stanses før kjølemiddelrørene kobles fra. Kompressoren kan sprekke hvis det kommer luft osv. inn i den.

9. Systemstyring (Fig. 9-1)

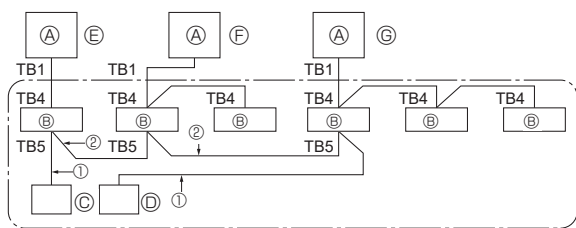
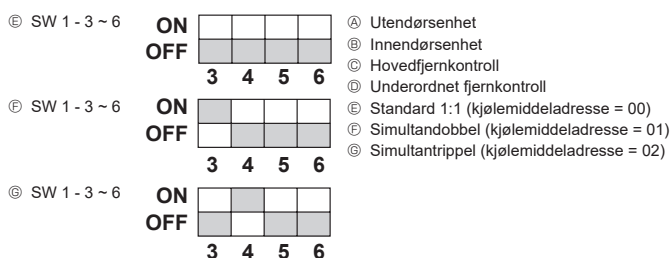


Fig. 9-1

* Still inn kjølemiddeladressen ved bruk av DIP-bryteren på utendørsenheten.

① Ledninger fra fjernkontrollen

Denne ledningen er koplet til TB5 (klemmebrett for fjernkontroll) på innendørsenheten (ikke-polar).

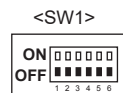
② Når det brukes et annet system for gruppering av kjølemiddel.

Opptil 16 kjølemiddelsystemer kan styres som én gruppe ved bruk av den slanke MA-fjernkontrollen.

Merk:

I et enkelt kjølemiddelsystem (dobbel/trippel) er det ikke behov for ledning ②.

SW1
Funksjonstabell



	Funksjon	Drift i henhold til bryterinnstillingen	
		PÅ	AV
SW1 funksjonsinnstillinger	1 Obligatorisk defrosting	Start	Normal
	2 Feilhistorikk slettet	Tøm	Normal
	3 Innstilling for 4 kjølemiddels systemadresse	Innstillinger for utendørsenheten er adressene 0 til 15	

Spis treści

1. Zalecenia bezpieczeństwa	1	6. Instalacja elektryczna	10
2. Miejsce instalacji	2	7. Ruch próbny	12
3. Instalacja jednostki zewnętrznej	6	8. Funkcje specjalne	12
4. Instalacja rur czynnika chłodniczego	6	9. Sterowanie systemem (Fig. 9-1)	13
5. Przewody spustowe	10		



Uwaga: Ten symbol dotyczy wyłącznie krajów członkowskich UE.

Ten symbol jest zgodny z dyrektywą 2012/19/WE art. 14: Informacje dla użytkowników i Załącznikiem IX.

Produkt MITSUBISHI ELECTRIC jest wykonany z wysokiej jakości materiałów i komponentów, nadających się do recyklingu i ponownego wykorzystania. Symbol ten oznacza, że sprzęt elektryczny i elektroniczny, po zakończeniu okresu eksploatacji, nie powinien być utylizowany razem z odpadami domowymi. Urządzenie należy zutylizować w lokalnym centrum zbiórki odpadów/recyklingu.

W Unii Europejskiej obowiązują osobne systemy zbiórki odpadów dla zużytych produktów elektrycznych i elektronicznych.

Pomóż nam chronić środowisko, w którym żyjemy!

⚠ Przewaga:

- Wypuszczanie czynnika R32 do atmosfery jest zabronione.

1. Zalecenia bezpieczeństwa

- ▶ Przed instalacją urządzenia zapoznać się z wszystkimi "Zaleceniami bezpieczeństwa".
- ▶ Przed podłączeniem systemu należy zgłosić lub uzyskać zgodę dostawcy energii elektrycznej.
- ▶ Urządzenie PUZ-M-Y jest przeznaczone do użytku w obiektach handlowych i mniejszych obiektach przemysłowych.
- ▶ Urządzenie spełnia wymogi normy IEC/EN 61000-3-12 (PUZ-M100/125/140V)

⚠ Ostrzeżenie:

Oznacza zalecenia bezpieczeństwa, których należy przestrzegać w celu uniknięcia zagrożenia zranieniem lub śmierci użytkownika.

⚠ Przewaga:

Oznacza zalecenia bezpieczeństwa, których należy przestrzegać w celu uniknięcia uszkodzenia urządzenia.

Po zakończeniu instalacji należy zapoznać klienta z "Zaleceniami bezpieczeństwa" oraz zasadami obsługi i utrzymania ruchu urządzenia w oparciu o informacje zawarte w niniejszej Instrukcji obsługi, a także przeprowadzić ruch próbny w celu sprawdzenia i zapewnienia prawidłowego funkcjonowania urządzenia. Klientowi należy przekazać na własność zarówno Instrukcję instalacji, jak i Instrukcję obsługi. Instrukcje te muszą być zawsze przekazywane kolejnym użytkownikom.

⚡ : Oznacza część, która wymaga uziemienia.

⚠ Ostrzeżenie:

Należy uważnie czytać etykiety umieszczone na głównej jednostce.

⊙ : Oznacza ostrzeżenia i uwagi dotyczące stosowania czynnika chłodniczego R32.

ZNACZENIE SYMBOLI ZNAJDUJĄCYCH SIĘ NA URZĄDZENIU

	OSTRZEŻENIE (Ryzyko pożaru)	To oznaczenie dotyczy wyłącznie czynnika chłodniczego R32. Rodzaj czynnika chłodniczego został podany na tabliczce znamionowej jednostki zewnętrznej. Jeśli zastosowany rodzaj czynnika chłodniczego to R32, urządzenie wykorzystuje łatwopalny czynnik chłodniczy. W razie wycieku i kontaktu czynnika chłodniczego z ogniem lub elementem grzejnym powstanie szkodliwy gaz i wystąpi ryzyko pożaru.
	Przed przystąpieniem do obsługi należy uważnie przeczytać INSTRUKCJĘ OBSŁUGI.	
	Personel serwisowy ma obowiązek uważnie przeczytać INSTRUKCJĘ OBSŁUGI i INSTRUKCJĘ MONTAŻU przed przystąpieniem do obsługi.	
	Dodatkowe informacje można znaleźć w INSTRUKCJI OBSŁUGI, INSTRUKCJI MONTAŻU itp.	

⚠ Ostrzeżenie:

- Użytkownik nie może samodzielnie instalować urządzenia. Montaż i naprawę urządzenia należy zlecić sprzedawcy lub uprawnionemu technikowi. Nieprawidłowa instalacja urządzenia może być przyczyną nieszczelności, porażenia prądem lub pożaru.
- Podczas prac instalacyjnych i przenoszenia należy postępować według zaleceń podanych w instrukcji montażu oraz używać narzędzi i rur specjalnie przeznaczonych do użytku z czynnikiem chłodniczym R32. W przypadku użycia rur nieprzeznaczonych dla czynnika chłodniczego R32 i nieprawidłowej instalacji urządzenia rury mogą pękać, powodując uszkodzenia lub obrażenia ciała. Grozi to także nieszczelnością, porażeniem prądem lub pożarem.
- Urządzenie należy zainstalować zgodnie z instrukcją celem zminimalizowania ryzyka powstania uszkodzeń spowodowanych trzęsieniem ziemi, tajfunem lub silnym wiatrem. Nieprawidłowo zainstalowane urządzenie może spaść z wysokości i spowodować szkody materialne i/lub obrażenia ciała.
- Urządzenie należy zamontować na konstrukcji, która bezpiecznie wytrzyma jego ciężar. W przypadku montażu na niestabilnej konstrukcji urządzenie może spaść z wysokości i spowodować szkody materialne i/lub obrażenia ciała.
- Jeśli klimatyzator zostanie zainstalowany w małym pomieszczeniu, należy podjąć odpowiednie kroki, aby w razie wycieku stężenia czynnika chłodniczego w pomieszczeniu nie przekroczyło bezpiecznego poziomu. W sprawie odpowiednich kroków mających zapobiec zbyt dużemu stężeniu czynnika chłodniczego należy skontaktować się ze sprzedawcą. W razie wycieku i przekroczenia bezpiecznego poziomu czynnika chłodniczego w pomieszczeniu istnieje zagrożenie zmniejszenia zawartości tlenu w powietrzu.
- Jeśli podczas pracy dojdzie do wycieku czynnika chłodniczego, należy przewietrzyć dane pomieszczenie. Jeśli dojdzie do kontaktu czynnika chłodniczego z ogniem, zostaną uwolnione trujące gazy.
- Wszystkie prace elektryczne muszą być prowadzone przez wykwalifikowanego elektryka zgodnie z lokalnymi przepisami i zaleceniami podanymi w niniejszej Instrukcji. Do zasilania urządzenia należy użyć dedykowanych przewodów i odpowiednich wyłączników oraz wartości napięcia. Użycie przewodów nieodpowiednich do wartości obciążenia lub niewłaściwe wykonanie prac elektrycznych może być przyczyną porażenia prądem lub pożaru.
- W przypadku bezszwowych rur miedzianych lub ze stopów miedzi do łączenia rur czynnika chłodniczego należy używać stopu miedzi z fosforem C1220. Jeśli rury nie zostaną połączone prawidłowo, urządzenie nie będzie odpowiednio uziemione i może dojść do porażenia prądem elektrycznym.
- W sklepach, w przemyśle lekkim i w gospodarstwach rolnych urządzenie powinno obsługiwać profesjonalni lub przeszkoleni użytkownicy, a w celach komercyjnych osoby nieposiadające fachowej wiedzy.
- Do okablowania należy użyć wyłącznie określonych przewodów. Przewody należy odpowiednio podłączyć do listwy zaciskowej tak, aby zaciski nie były napięte. Ponadto, nigdy nie należy łączyć ze sobą przewodów (o ile nie zaznaczono inaczej w niniejszym dokumencie). Nieprzestrzeganie tych zaleceń może spowodować przegrzanie urządzenia lub pożar.
- Jeśli przewód sieciowy jest uszkodzony, musi zostać wymieniony przez producenta, przedstawiciela jego serwisu lub osobę o podobnych kwalifikacjach, aby uniknąć zagrożenia.
- Urządzenie należy zainstalować zgodnie z krajowymi przepisami dotyczącymi instalacji elektrycznych.
- Osłona listwy zaciskowej jednostki zewnętrznej musi być dokładnie zamocowana. W przypadku nieprawidłowego montażu tej osłony pył i wilgoć mogą przedostać się do środka urządzenia i być przyczyną porażenia prądem lub pożaru.
- Do napełniania przewodów czynnika chłodniczego podczas instalacji, zmiany miejsca pracy lub prowadzenia serwisowania klimatyzatora należy stosować jedynie określony czynnik chłodniczy (R32). Nie należy mieszać go z innym czynnikiem chłodniczym ani dopuszczać do pozostawania powietrza w przewodach. Zmieszanie czynnika z powietrzem może spowodować nieprawidłowe wysokie ciśnienie w układzie chłodniczym i doprowadzić do wybuchu bądź innych zagrożeń. Zastosowanie czynnika innego od określonego dla tego układu spowoduje uszkodzenia mechaniczne, awarię układu lub uszkodzenie jednostki. W najgorszym przypadku może to doprowadzić do poważnego naruszenia bezpieczeństwa produktu.
- Używać tylko wyposażenia dodatkowego dopuszczonego przez Mitsubishi Electric; zlecić montaż sprzedawcy lub uprawnionemu technikowi. Nieprawidłowa instalacja wyposażenia dodatkowego może być przyczyną nieszczelności, porażenia prądem lub pożaru.
- Nie wykonywać żadnych przeróbek urządzenia. Skonsultować każdą naprawę ze sprzedawcą. Nieprawidłowa przeróbka lub naprawa urządzenia może być przyczyną nieszczelności, porażenia prądem lub pożaru.
- Użytkownik nie powinien samowolnie próbować naprawiać ani przestawiać urządzenia w inne miejsce. Nieprawidłowa instalacja urządzenia może być przyczyną nieszczelności, porażenia prądem lub pożaru. W przypadku konieczności naprawy lub przeniesienia klimatyzatora należy zwrócić się do sprzedawcy lub uprawnionego technika.
- Po zakończeniu instalacji sprawdzić, czy nie ma nieszczelności w obiegu czynnika chłodniczego. W przypadku wycieku czynnika chłodniczego do wnętrza pomieszczenia i jego kontaktu z płomieniem kotła grzewczego lub palnikiem kuchennej elektrycznej powstają trujące gazy.
- Nie stosować środków przyspieszających proces oszraniania ani czyszczących innych niż zalecane przez producenta.
- Urządzenie należy przechowywać w pomieszczeniu, w którym nie występują stale działające źródła zapłonu (na przykład: otwarty płomień, działające urządzenie gazowe lub działający grzejnik elektryczny).
- Nie przebiegać ani nie palić.
- Należy mieć świadomość, że czynniki chłodnicze mogą nie mieć zapachu.
- Przewody rurowe należy zabezpieczyć przed uszkodzeniem.
- Ograniczyć instalację przewodów rurowych do minimum.
- Należy przestrzegać krajowych przepisów dotyczących gazu.
- Nie zasłaniać żadnych wymaganych otworów wentylacyjnych.
- W przypadku lutowania rur czynnika chłodniczego nie należy używać niskotemperaturowych stopów lutowniczych.
- Podczas lutowania należy zadbać o dobrą wentylację pomieszczenia. Upewnij się, że w pobliżu nie ma żadnych materiałów niebezpiecznych ani łatwopalnych. Wykonując prace w zamkniętym lub małym pomieszczeniu albo w podobnym miejscu, przed rozpoczęciem prac należy upewnić się, że nie ma wycieku czynnika chłodniczego. Wyciek i nagromadzenie czynnika chłodniczego grozi zapłonem lub uwolnieniem trujących gazów.
- Urządzenie należy przechowywać w pomieszczeniu o dobrej wentylacji, którego powierzchnia jest zgodna z zaleceniami dotyczącymi pracy.
- W miejscu montażu, naprawy lub innych prac przy klimatyzatorze nie powinny znajdować się urządzenia gazowe, grzejniki elektryczne ani inne źródła ognia (źródła zapłonu). Jeśli dojdzie do kontaktu czynnika chłodniczego z ogniem, zostaną uwolnione trujące gazy.
- Nie palić podczas obsługi i transportu.

1. Zalecenia bezpieczeństwa

1.1. Przed instalacją

⚠ Przewaga:

- Nie używać urządzenia w środowisku odbiegającym od normalnego. Jeśli klimatyzator jest zainstalowany w miejscu narażonym na działanie pary wodnej, olejków eterycznych (w tym oleju maszynowego), zsiarczonego gazu, powietrza zawierającego sól, na przykład na wybrzeżu lub w miejscu, gdzie może zostać zasypany śniegiem, jego wydajność może ulec znaczącemu obniżeniu, a części wewnętrzne mogą ulec uszkodzeniu.
- Nie instalować urządzenia w miejscach, w których może dojść do wycieku, powstania, przepływu lub nagromadzenia palnych gazów. Gaz palny nagromadzony wokół urządzenia może być przyczyną pożaru lub wybuchu.
- Podczas ogrzewania w jednostce zewnętrznej powstają skropliny. Jeśli taki kondensat może spowodować szkody, należy odprowadzić go poza urządzenie.
- W przypadku instalacji urządzenia w szpitalu lub w obiekcie, w którym są zainstalowane systemy telekomunikacji, mogą występować szумы i zakłócenia elektroniczne. Falowniki, sprzęt AGD, sprzęt medyczny pracujący na wysokiej częstotliwości oraz systemy łączności radiowej mogą spowodować awarię lub uszkodzenie klimatyzatora. Klimatyzator również może powodować nieprawidłowości w pracy sprzętu medycznego i urządzeń telekomunikacyjnych, obniżając jakość obrazu na monitorach.

1.2. Przed instalacją (przeniesienie w inne miejsce)

⚠ Przewaga:

- Zachować szczególną ostrożność przy transporcie i instalacji urządzeń. Urządzenie waży 20 kg lub więcej i musi być przenoszone przez min. 2 osoby. Nie chwycić za taśmę opakowania. Podczas rozpakowywania i przenoszenia urządzenia należy nosić rękawice ochronne w celu ochrony rąk przed zranieniem spowodowanym użebrowaniem lub krawędziami innych części.
- Zapewnić bezpieczną utylizację materiału opakowania. Materiały opakowania, takie jak gwoździe i inne elementy metalowe oraz drewniane, mogą spowodować rany klute i inne obrażenia ciała.
- Należy okresowo sprawdzać, czy podstawa montażowa i mocowania jednostki zewnętrznej nie są odkręcone, pęknięte lub w inny sposób uszkodzone. Nieusunięcie takich usterek może doprowadzić do upadku urządzenia, powodując uszkodzenie i obrażenia ciała.
- Nie używać wody do mycia klimatyzatora. Ryzyko porażenia prądem elektrycznym.
- Dokręcić nakrętki kielichowe zgodnie ze specyfikacją, używając klucza dynamometrycznego. Zbyt mocne dokręcenie może doprowadzić do pęknięcia nakrętki kielichowej po dłuższym czasie i wycieku czynnika chłodniczego.

1.3. Przed rozpoczęciem prac na wyposażeniu elektrycznym

⚠ Przewaga:

- Upewnić się, że zainstalowano wyłączniki automatyczne. Ich brak może być przyczyną porażenia prądem elektrycznym.
- Do doprowadzenia zasilania użyć standardowych kabli odpowiednich do wielkości obciążenia. W przeciwnym razie może dojść do zwarcia, przegrzania lub pożaru.
- Kable zasilające układać tak, aby nie były naprężone. Poluzowanie połączeń może spowodować pęknięcie lub przerwanie oraz przegrzanie kabli, a w konsekwencji pożar.
- Wykonać prawidłowe uziemienie urządzenia. Nie łączyć przewodu uziemiającego z rurami gazowymi ani wodnymi, instalacją odgromową ani z telefonicznymi przewodami uziemiającymi. Niewłaściwe uziemienie urządzenia może stwarzać ryzyko porażenia prądem elektrycznym.
- Zastosować wyłączniki automatyczne (wyłączniki ziemnozwarciowe, odłączniki (bezpieczniki +B) oraz automatyczne wyłączniki kompaktowe) spełniające wymagania w zakresie podanego progu zadziałania. Użycie wyłączników o progu zadziałania większym niż podany może być przyczyną uszkodzenia urządzenia lub pożaru.

1.4. Przed rozpoczęciem pracy próbnej

⚠ Przewaga:

- Włączyć główny przełącznik zasilania na min. 12 h przed rozpoczęciem pracy. Uruchomienie urządzenia natychmiast po włączeniu zasilania może spowodować poważne uszkodzenie podzespołów wewnętrznych. Podczas eksploatacji urządzenia nie wyłączać głównego wyłącznika zasilania.
- Przed rozpoczęciem pracy urządzenia sprawdzić, czy wszystkie osłony, obudowy oraz pozostałe zabezpieczenia zostały prawidłowo założone. Części wirujące, gorące lub znajdujące się pod wysokim napięciem mogą powodować obrażenia ciała.
- Nie dotykać żadnych przełączników wilgotnymi rękoma. Ryzyko porażenia prądem elektrycznym.
- Podczas pracy nie dotykać przewodów czynnika chłodniczego gołymi rękoma. Przewody te są gorące lub zimne zależnie od stanu przepływającego w nich czynnika chłodniczego. Dotknięcie rur grozi poparzeniem lub odmrożeniem.
- Po zakończeniu pracy odczekać min. 5 minut przed wyłączeniem głównego wyłącznika zasilania. W przeciwnym razie może dojść do wycieku wody lub uszkodzenia urządzenia.

1.5. Korzystanie z klimatyzatorów z czynnikiem chłodniczym R32

⚠ Przewaga:

- W przypadku bezswowych rur miedzianych lub ze stopów miedzi do łączenia rur czynnika chłodniczego należy używać stopu miedzi z fosforem C1220. Upewnić się, że rury są wewnątrz czyste i nie zawierają żadnych szkodliwych zanieczyszczeń, takich jak związki siarki, utleniające, zabrudzenia lub pył. Stosować rury o określonej grubości. (Patrz punkt 4.1.) W razie ponownego wykorzystania istniejących rur, które zawierały czynnik chłodniczy R22, należy uwzględnić poniższe zalecenia.
 - Wymienić istniejące nakrętki kielichowe i powtórzyć kielichowanie rur kielichowanych.
 - Nie używać cienkich rur. (Patrz punkt 4.1.)
- Rury przeznaczone do instalacji należy przechować w pomieszczeniu i nie usuwać zaślepek z ich końców aż do czasu lutowania. (Zostawić kolanka itp. w ich opakowaniach). W przypadku przedostania się pyłu, zanieczyszczeń lub wilgoci do rur czynnika chłodniczego może dojść do pogorszenia się jakości oleju lub awarii sprężarki.
- Jako olej chłodniczy do smarowania rur kielichowanych powinien być używany olej estrowy, olej eterowy lub olej alkilobenzenowy (niewielka ilość). Zmieszanie oleju mineralnego z olejem chłodniczym może pogorszyć jego jakość.
- Serwisowanie należy prowadzić wyłącznie według zaleceń producenta.
- Używać wyłącznie czynnika chłodniczego R32.
- Stosować niżej wymienione narzędzia przeznaczone specjalnie do pracy z czynnikiem chłodniczym R32. Czynnikiem chłodniczym R32 wymaga stosowania poniższych narzędzi. W razie jakichkolwiek pytań należy kontaktować się z lokalnym sprzedawcą.

Narzędzia (kompatybilne z R32)	
Przyłącze manometru	Kielichownica
Wąż zasilający	Sprawdzian do regulacji wymiarów
Wykrywacz wycieku gazu	Adapter pompy próżniowej
Klucz dynamometryczny	Elektroniczna waga do uzupełniania czynnika

- Upewnić się, że są stosowane odpowiednie narzędzia. W przypadku przedostania się pyłu, zanieczyszczeń lub wilgoci do rur czynnika chłodniczego może ulec pogorszeniu.

2. Miejsce instalacji

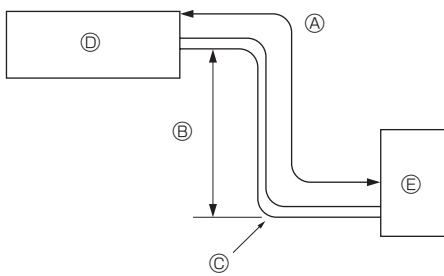


Fig. 2-1

2.1. Rura czynnika chłodniczego (Fig. 2-1)

- Należy upewnić się, że różnica wysokości między jednostką wewnętrzną i zewnętrzną, długość rury czynnika chłodniczego oraz liczba zgięć rury mieszczą się w granicach przedstawionych poniżej.

Modele	Ⓐ Długość rury (w jedną stronę)	Ⓑ Różnica wysokości	Ⓒ Liczba zgięć (w jedną stronę)
M100	Maks.55 m	Maks.30 m	Maks.15
M125/140	Maks.65 m	Maks.30 m	Maks.15

- Ograniczenie różnicy wysokości obowiązuje niezależnie od tego, która jednostka (wewnętrzna czy zewnętrzna) znajduje się wyżej.

- Ⓐ Jednostka wewnętrzna
- Ⓑ Jednostka zewnętrzna

2. Miejsce instalacji

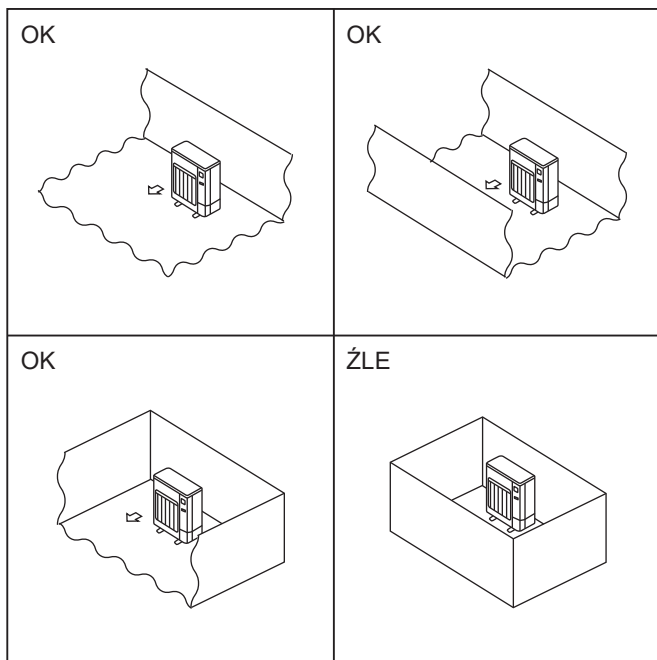


Fig. 2-2

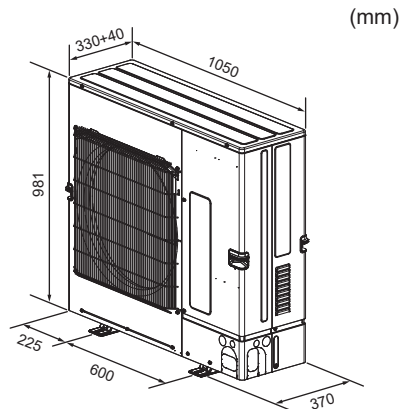


Fig. 2-3

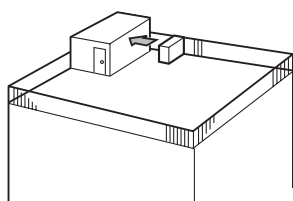


Fig. 2-4

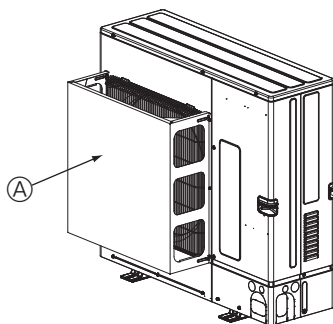


Fig. 2-5

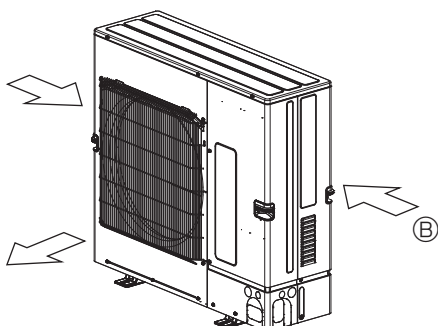


Fig. 2-6

2.2. Wybór miejsca instalacji jednostki zewnętrznej

- ⊙ Czynniki chłodnicze R32 jest cięższy od powietrza — podobnie jak inne czynniki chłodnicze — w związku z czym zazwyczaj gromadzi się przy podstawie (przy podłodze). Jeśli czynnik chłodniczy R32 gromadzi się wokół podstawy, w małych pomieszczeniach może osiągnąć stężenie grożące zapłonem. Aby uniknąć zapłonu, należy zadbać o bezpieczne środowisko pracy, zapewniając odpowiednią wentylację. W razie stwierdzenia wycieku czynnika chłodniczego w pomieszczeniu lub w miejscu o niedostatecznej wentylacji, nie wolno używać otwartego ognia do czasu poprawy środowiska pracy poprzez zapewnienie odpowiedniej wentylacji.
- Unikać miejsc narażonych na bezpośrednie działanie promieni słonecznych lub innych źródeł ciepła.
- Wybrać takie miejsce, w którym hałas wytwarzany przez urządzenie nie będzie przeszkadzał sąsiadom.
- Wybrać takie miejsce, które zapewni łatwy dostęp do rur i przewodów źródła zasilania i jednostki wewnętrznej.
- Unikać miejsc, w których może dojść do wycieku, powstania, przepływu lub nagromadzenia palnych gazów.
- Pamiętać, że podczas pracy z urządzeniem może wyciekać woda.
- Wybrać takie położenie, w którym nie będzie problemu z obciążeniem (od ciężaru) i drganiami urządzenia.
- Unikać miejsc, w których urządzenie może zostać zasypane śniegiem. W miejscach, gdzie przewiduje się występowanie dużych opadów śniegu, należy zastosować szczególne środki ostrożności, aby śnieg nie zablokował wlotu powietrza i nie był bezpośrednio do niego nawiewany, na przykład instalując urządzenie na większej wysokości lub zakładając okap na wlocie powietrza. Zablokowanie wlotu powietrza może zmniejszyć jego przepływ i spowodować awarię.
- Unikać miejsc narażonych na działanie oleju, pary wodnej lub zaszczerzonego gazu.
- Podczas przenoszenia jednostki zewnętrznej należy trzymać ją za uchwyty. Nie trzymać urządzenia za podstawę, ponieważ istnieje ryzyko przygniecenia dłoni lub palców.
- Połączenia rur czynnika chłodniczego powinny być dostępne do celów konserwacji.
- ⊙ Jednostki zewnętrzne należy instalować w miejscach, które są otwarte z co najmniej jednej z czterech stron i oferują dostatecznie dużą powierzchnię bez zagłębień. (Fig. 2-2).

2.3. Wymiary gabarytowe (jednostki zewnętrznej) (Fig. 2-3)

2.4. Wentylacja i przestrzeń serwisowa

2.4.1. Instalacja w miejscu, w którym wieją silne wiatry

W przypadku instalacji jednostki zewnętrznej na dachu lub w innym miejscu narażonym na działanie wiatru nie umieszczać wylotu powietrza z urządzenia w kierunku, z którego wieją silne wiatry. Silny wiatr działający na wylot powietrza może zakłócać jego normalny przepływ i powodować awarie.

Poniżej podano trzy przykłady zabezpieczeń przed działaniem silnych wiatrów.

- ① Ustawić wylot powietrza w kierunku najbliższej ściany, zachowując odległość ok. 500 mm. (Fig. 2-4).
- ② Zainstalować opcjonalną kierownicę powietrza w przypadku, gdy jednostka zewnętrzna jest zainstalowana w miejscu, w którym silny wiatr, np. tajfun, może bezpośrednio działać na wylot powietrza. (Fig. 2-5).
 - Ⓐ Kierownica wylotowa powietrza
- ③ Jeśli to możliwe, należy tak ustawić jednostkę zewnętrzną, aby kierunek wylotu powietrza był prostopadły do kierunku wiatru w danej porze roku. (Fig. 2-6).
 - Ⓑ Kierunek wiatru

2.4.2. W przypadku instalacji jednej jednostki zewnętrznej (patrz ostatnia strona)

Poniższe wymiary są wartościami minimalnymi, za wyjątkiem tych oznaczonych jako "Maks.", które są wymiarami maksymalnymi.

W każdym przypadku należy odwołać się do odpowiedniego rysunku.

- ① Miejsce ograniczone tylko z tyłu (Fig. 2-7)
- ② Miejsce ograniczone tylko z tyłu i od góry (Fig. 2-8)
- ③ Miejsce ograniczone tylko z tyłu i po bokach (Fig. 2-9)
- ④ Miejsce ograniczone tylko z przodu (Fig. 2-10)
 - * W razie użycia opcjonalnej kierownicy wylotowej powietrza odstęp wynosi 500 mm lub więcej.
- ⑤ Miejsce ograniczone tylko z przodu i z tyłu (Fig. 2-11)
 - * W razie użycia opcjonalnej kierownicy wylotowej powietrza odstęp wynosi 500 mm lub więcej.
- ⑥ Miejsce ograniczone tylko z tyłu, po bokach i od góry (Fig. 2-12)
 - Nie instalować opcjonalnych kierownic wylotowych powietrza dla przepływu powietrza w górę.

2.4.3. W przypadku instalacji więcej niż jednej jednostki zewnętrznej (patrz ostatnia strona)

Pozostawić minimum 50 mm wolnej przestrzeni w przypadku M100-140 między poszczególnymi jednostkami.

- ① Miejsce ograniczone tylko z tyłu (Fig. 2-13)
- ② Miejsce ograniczone tylko z tyłu i od góry (Fig. 2-14)
 - Nie więcej niż 3 urządzenia mogą być zainstalowane jedno obok drugiego. Ponadto należy pozostawić wolną przestrzeń jak pokazano na rysunku.
 - Nie instalować opcjonalnych kierownic wylotowych powietrza dla przepływu powietrza w górę.
- ③ Miejsce ograniczone tylko z przodu (Fig. 2-15)
 - * W razie użycia opcjonalnej kierownicy wylotowej powietrza odstęp w przypadku modeli M100-140 wynosi 1000 mm lub więcej.
- ④ Miejsce ograniczone tylko z przodu i z tyłu (Fig. 2-16)
 - * W razie użycia opcjonalnej kierownicy wylotowej powietrza odstęp w przypadku modeli M100-140 wynosi 1000 mm lub więcej.
- ⑤ Równoległa zabudowa pojedynczych jednostek zewnętrznych (Fig. 2-17)
 - * W przypadku użycia opcjonalnej kierownicy wylotowej powietrza dla przepływu powietrza w górę odstęp wynosi 1000 mm lub więcej.
- ⑥ Równoległa zabudowa więcej niż jednej jednostki zewnętrznej (Fig. 2-18)
 - * W przypadku użycia opcjonalnej kierownicy wylotowej powietrza dla przepływu powietrza w górę odstęp wynosi 1500 mm lub więcej.
- ⑦ Zabudowa jednostek zewnętrznych jedna na drugiej (Fig. 2-19)
 - Maksymalnie 2 jednostki zewnętrzne mogą być zainstalowane jedna na drugiej.
 - Nie więcej niż 2 jednostki mogą być umieszczone jedna na drugiej. Ponadto należy pozostawić wolną przestrzeń jak pokazano na rysunku.

2. Miejsce instalacji

© 2.5. Minimalna powierzchnia montażowa

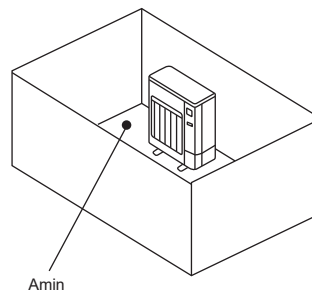
Jeśli nie można uniknąć montażu urządzenia w miejscu, którego wszystkie cztery strony są zablokowane lub w którym występują zagłębienia, należy spełnić jeden z następujących warunków (A, B lub C).

Uwaga: Zastosowanie tych rozwiązań zapewni bezpieczną pracę, lecz może obniżyć wydajność urządzenia.

A) Zapewnić odpowiednią przestrzeń montażową (minimalny obszar instalacji Amin).

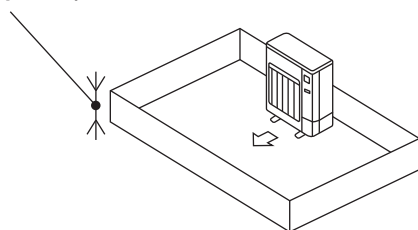
Urządzenie należy zainstalować w miejscu o minimalnym obszarze instalacji Amin odpowiadającemu ilości M czynnika chłodniczego (czynnik chłodniczy napełniony fabrycznie + czynnik chłodniczy dodany na miejscu).

M [kg]	Amin [m ²]
1,0	12
1,5	17
2,0	23
2,5	28
3,0	34
3,5	39
4,0	45
4,5	50
5,0	56
5,5	62
6,0	67
6,5	73
7,0	78
7,5	84

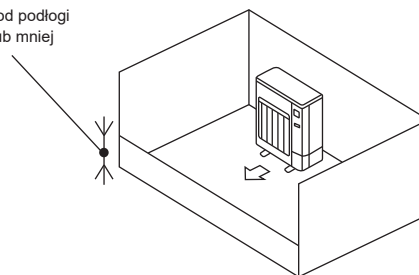


B) Urządzenie należy zainstalować w miejscu z obrzeżem o wysokości $\leq 0,125$ [m].

Wysokość od podłogi
0,125 [m] lub mniej



Wysokość od podłogi
0,125 [m] lub mniej

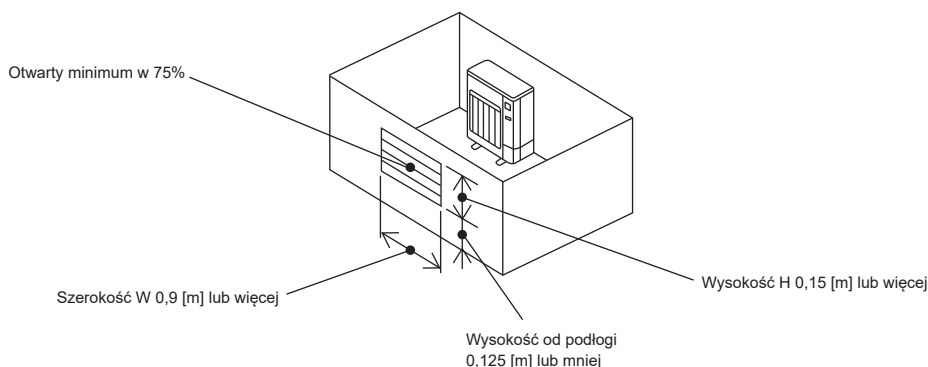


C) Zapewnić odpowiedni otwór wentylacyjny.

Upewnić się, że otwór ma co najmniej 0,9 [m] szerokości i 0,15 [m] wysokości.

Natomiast wysokość od podłogi przestrzeni montażowej do dolnej krawędzi otworu wentylacyjnego powinna wynosić maksymalnie 0,125 [m].

Otwór wentylacyjny powinien być otwarty minimum w 75%.



2. Miejsce instalacji

■ Jednostki wewnętrzne

Urządzenie należy zainstalować w pomieszczeniu o minimalnej powierzchni podłogi A_{min} , odpowiadającej ilości M czynnika chłodniczego (czynnik chłodniczy napełniony fabrycznie + czynnik chłodniczy dodany na miejscu).

* Ilość czynnika chłodniczego napełnionego fabrycznie została podana na tabliczce znamionowej lub w instrukcji montażu.

Ilość, jaką należy dodać na miejscu, została podana w instrukcji montażu.

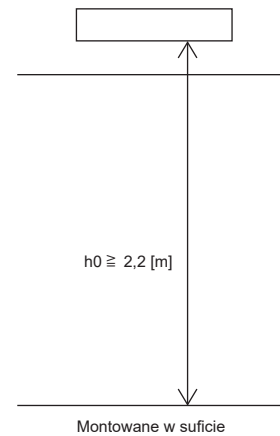
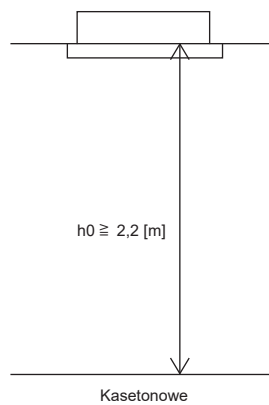
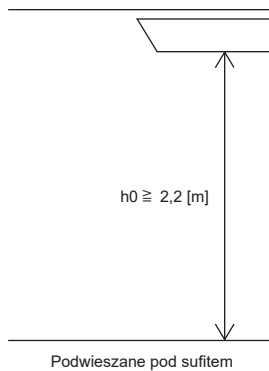
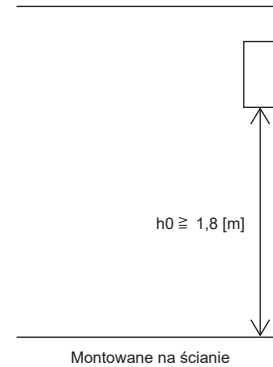
Jednostkę wewnętrzną należy zamontować w taki sposób, aby wysokość od podłogi do spodu urządzenia wynosiła h_0 ;

dla jednostek montowanych na ścianie: 1,8 m lub więcej;

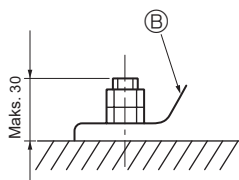
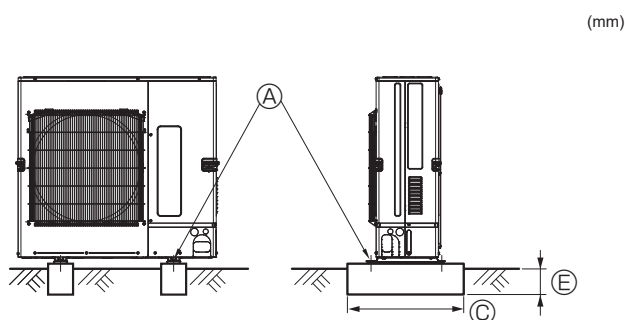
dla jednostek podwieszanych pod sufitem, kasetonowych oraz montowanych w suficie: 2,2 m lub więcej.

* Ograniczenia dotyczące wysokości montażu odnoszą się do każdego modelu, w związku z czym należy przeczytać instrukcję montażu konkretnego urządzenia.

M [kg]	A_{min} [m ²]
1,0	4
1,5	6
2,0	8
2,5	10
3,0	12
3,5	14
4,0	16
4,5	20
5,0	24
5,5	29
6,0	35
6,5	41
7,0	47
7,5	54



3. Instalacja jednostki zewnętrznej



- (A) Śruba M10 (3/8")
- (B) Płyta podstawy
- (C) Najdłuższy możliwy
- (D) Odpowietrznik
- (E) Osadzić głęboko w podłożu

(mm)

- Upewnić się, że urządzenie jest umieszczone na solidnym, równym podłożu, chroniącym przed powstawaniem odgłosu klekotania podczas pracy. (Fig. 3-1).

<Specyfikacje fundamentów>

Śruba fundamentowa	M10 (3/8")
Grubość warstwy betonu	120 mm
Długość śruby	70 mm
Zdolność przeniesienia obciążenia	320 kg

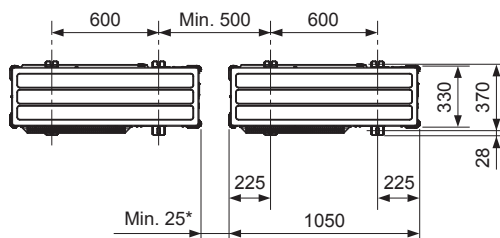
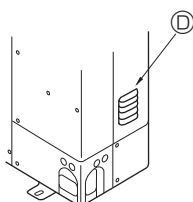
- Sprawdzić, czy śruby fundamentowe są wkręcone na głębokość 30 mm od spodu podstawy.
- Mocno przykręcić płytę podstawy urządzenia do solidnego podłoża za pomocą 4 śrub fundamentowych M10.

Instalacja jednostki zewnętrznej

- Nie zasłaniać otworu wentylacyjnego. W przypadku zasłonięcia otworu dojdzie do zakłóceń w pracy urządzenia i może ono ulec uszkodzeniu.
- W razie konieczności wykonania dodatkowego zamocowania urządzenia oprócz podstawy urządzenia należy wykorzystać otwory montażowe znajdujące się w jego tylnej części do przymocowania przewodów itp. Do montażu należy użyć wkrętów samogwintujących (ø5 × 15 mm lub mniejszych).

⚠ Ostrzeżenie:

- Urządzenie należy zamontować na konstrukcji, która bezpiecznie wytrzyma jego ciężar. W przypadku montażu na niestabilnej konstrukcji urządzenie może spaść z wysokości i spowodować szkody materialne i/ lub obrażenia ciała.
- Urządzenie należy zainstalować zgodnie z instrukcją celem zminimalizowania ryzyka powstania uszkodzeń spowodowanych trzęsieniem ziemi, tajfunem lub silnym wiatrem. Nieprawidłowo zainstalowane urządzenie może spaść z wysokości i spowodować szkody materialne i/ lub obrażenia ciała.



* W przypadku instalacji jednej jednostki zewnętrznej odstęp wynosi co najmniej 15 mm.

Fig. 3-1

4. Instalacja rur czynnika chłodniczego

4.1. Środki ostrożności w przypadku urządzeń, które wykorzystują czynnik chłodniczy R32

- Punkt 1.5. zawiera dodatkowe, nie wymienione niżej środki ostrożności dotyczące używania klimatyzatorów z czynnikiem chłodniczym R32.
- Jako olej chłodniczy do smarowania rur kielichowanych powinien być używany olej estrowy, olej eterowy lub olej alkilobenzenowy (niewielka ilość).
- W przypadku bezszwowych rur miedzianych lub ze stopów miedzi do łączenia rur czynnika chłodniczego należy używać stopu miedzi z fosforem C1220. Należy użyć rur czynnika chłodniczego o grubości podanej w tabeli poniżej. Upewnić się, że rury są wewnątrz czyste i nie zawierają żadnych szkodliwych zanieczyszczeń, takich jak związki siarki, utleniacze, zabrudzenia lub pył. Podczas lutowania rur zawsze należy stosować lutowanie nieutleniające, aby zapobiec uszkodzeniu sprężarki.

⚠ Ostrzeżenie:

Do napełniania przewodów czynnika chłodniczego podczas instalacji, zmiany miejsca pracy lub prowadzenia serwisowania klimatyzatora należy stosować jedynie określony czynnik chłodniczy (R32). Nie należy mieszać go z innym czynnikiem chłodniczym ani dopuszczać do pozostawania powietrza w przewodach.

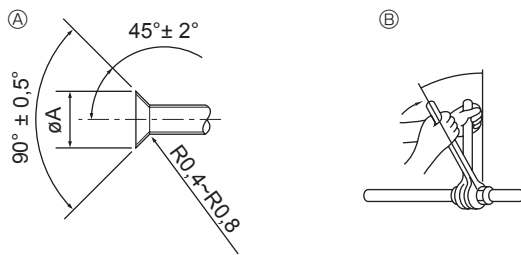
Zmieszanie czynnika z powietrzem może spowodować nieprawidłowe wysokie ciśnienie w układzie chłodniczym i doprowadzić do wybuchu bądź innych zagrożeń.

Zastosowanie czynnika innego od określonego dla tego układu spowoduje uszkodzenia mechaniczne, awarię układu lub uszkodzenie jednostki. W najgorszym przypadku może to doprowadzić do poważnego naruszenia bezpieczeństwa produktu.

Średnica rury (mm)	ø6,35	ø9,52	ø12,7	ø15,88	ø19,05	ø22,2	ø25,4	ø28,58
Grubość (mm)	0,8	0,8	0,8	1,0	1,0	1,0	1,0	1,0

- Nie używać rur cieńszych niż podane powyżej.
- Jeśli średnica wynosi 19,05 mm lub więcej, należy zastosować rury 1/2 H lub H.
- Należy zapewnić odpowiednią wentylację, aby nie dopuścić do zapłonu. Należy także podjąć właściwe działania przeciwpożarowe, usuwając z otoczenia niebezpieczne i łatwopalne przedmioty.

4. Instalacja rur czynnika chłodniczego



- Ⓐ Wymiary przycinania kielichów
Ⓑ Moment dokręcania nakrętek kielichowych

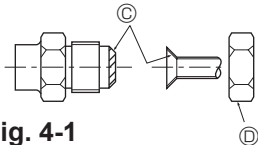


Fig. 4-1

Ⓐ (Fig. 4-1)

Rura miedziana, śr. zewn. (mm)	Wymiary kielichów Wymiary $\varnothing A$ (mm)
$\varnothing 6,35$	8,7 – 9,1
$\varnothing 9,52$	12,8 – 13,2
$\varnothing 12,7$	16,2 – 16,6
$\varnothing 15,88$	19,3 – 19,7
$\varnothing 19,05$	23,6 – 24,0

Ⓑ (Fig. 4-1)

Rura miedziana, śr. zewn. (mm)	Nakrętka kielichowa, śr. zewn. (mm)	Moment dokręcania (N·m)
$\varnothing 6,35$	17	14 – 18
$\varnothing 6,35$	22	34 – 42
$\varnothing 9,52$	22	34 – 42
$\varnothing 12,7$	26	49 – 61
$\varnothing 12,7$	29	68 – 82
$\varnothing 15,88$	29	68 – 82
$\varnothing 15,88$	36	100 – 120
$\varnothing 19,05$	36	100 – 120

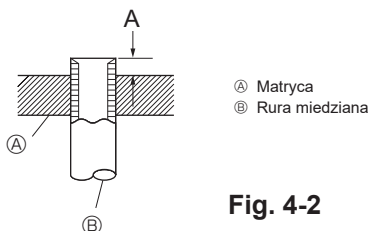
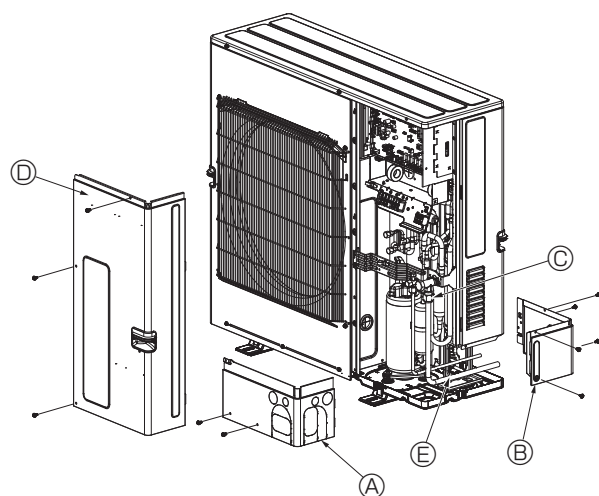


Fig. 4-2



- Ⓐ Przednia osłona rur
Ⓑ Tylna osłona rur
Ⓒ Zawór odcinający
Ⓓ Panel serwisowy
Ⓔ Promień gięcia: 100 mm – 150 mm

Fig. 4-3

4.2. Łączenie rur (Fig. 4-1)

- Używając dostępnych w sprzedaży rur miedzianych, należy owinać rury cieczowe i gazowe dostępnymi w sprzedaży materiałami izolacyjnymi (odpornymi na wysoką temperaturę do 100°C lub wyższą, o grubości 12 mm lub większej).
- Znajdujące się w pomieszczeniu odcinki rury odprowadzającej skropliny należy owinać materiałem izolacyjnym z pianki polietylenowej (ciężar właściwy 0,03, grubość 9 mm lub większa).
- Przed dokręceniem nakrętki kielichowej należy nasmarować powierzchnię połączenia rury i złączki cienką warstwą oleju chłodniczego. Ⓐ
- Połączenia rurowe należy dokręcać za pomocą 2 kluczy. Ⓑ
- Po wykonaniu połączeń należy sprawdzić, czy nie ma wycieków gazu, używając do tego wykrywacza nieszczelności lub wody z mydłem.
- Nasmarować całą powierzchnię połączenia kielichowego olejem do chłodziarek. Ⓒ
- Zastosować nakrętki kielichowe dla poniższych średnic rur. Ⓓ

Strona gazowa	Średnica rury (mm)	$\varnothing 15,88$
Strona cieczowa	Średnica rury (mm)	$\varnothing 9,52$

- Zachować ostrożność podczas gięcia rur, aby ich nie połamać. Wystarczający promień gięcia to 100 mm do 150 mm.
- Dopilnować, aby rury nie dotykały sprężarki. Grozi to nietypowym hałasem lub wibracjami.
- ① Rury należy podłączać, zaczynając od jednostki wewnętrznej. Nakrętki kielichowe należy dokręcać kluczem dynamometrycznym.
- ② Wykonać kielichowanie rur cieczowych i gazowych, po czym nasmarować je cienką warstwą oleju chłodniczego (na miejscu).
- W przypadku użycia standardowego uszczelnacza do rur należy wykonać kielichowanie rur czynnika chłodniczego R32 zgodnie z Tabelą 1. Pomiary A można potwierdzić sprawdzianem do regulacji wymiarów.

Tabela 1 (Fig. 4-2)

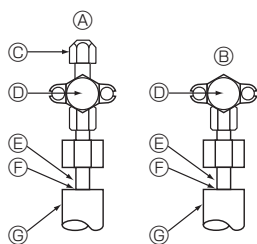
Rura miedziana, śr. zewn. (mm)	A (mm)	
	Kielichownica do R32	Kielichownica do R22·R407C
	Typ bloku zaciskowego	
$\varnothing 6,35$ (1/4")	0 – 0,5	1,0 – 1,5
$\varnothing 9,52$ (3/8")	0 – 0,5	1,0 – 1,5
$\varnothing 12,7$ (1/2")	0 – 0,5	1,0 – 1,5
$\varnothing 15,88$ (5/8")	0 – 0,5	1,0 – 1,5
$\varnothing 19,05$ (3/4")	0 – 0,5	1,0 – 1,5

4.3. Rury czynnika chłodniczego (Fig. 4-3)

Zdjąć panel serwisowy Ⓒ (3 wkręty), a także przednią osłonę Ⓐ (2 wkręty) i tylną osłonę Ⓑ (5 wkręty).

- ① Wykonać połączenia rur czynnika chłodniczego przy jednostce wewnętrznej/zewnętrznej, kiedy zawór odcinający jednostki zewnętrznej jest całkowicie zamknięty.
- ② Używając podciśnienia, usunąć powietrze z jednostki wewnętrznej i rur połączeniowych.
- ③ Po podłączeniu rur czynnika chłodniczego należy sprawdzić, czy z rur połączeniowych i jednostki wewnętrznej nie wycieka gaz. (Patrz punkt 4.4. Metoda testowania szczelności rur czynnika chłodniczego)
- ④ Do utrzymania podciśnienia przez odpowiedni czas (co najmniej jedną godzinę po osiągnięciu -101 kPa (5 Tr)) w celu osuszenia próżniowego wnętrza rur, do portu serwisowego zaworu odcinającego podłącza się pompę próżniową o dużej wydajności. Zawsze należy sprawdzać stopień próżni na przyłączu manometru. Jeśli wewnątrz rur pozostanie wilgotne, czasami nie udaje się osiągnąć stopnia próżni po krótkim zastosowaniu podciśnienia. Po osuszeniu próżniowym należy całkowicie otworzyć zawory odcinające (cieczowy i gazowy) jednostki zewnętrznej. To całkowicie połączy obiegi czynnika chłodniczego jednostki wewnętrznej i zewnętrznej.
 - Jeśli osuszenie próżniowe zostanie wykonane nieprawidłowo, powietrze i para wodna pozostaną w obiegach czynnika chłodniczego i mogą powodować nietypowy wzrost wysokiego ciśnienia, nietypowy spadek niskiego ciśnienia, pogorszenie jakości oleju do chłodziarek z powodu wilgoci itp.
 - Jeśli zawory odcinające pozostaną zamknięte i urządzenie zostanie włączone, dojdzie do uszkodzenia sprężarki i zaworów sterujących.
 - Sprawdzić, czy nie ma wycieków gazu na odcinkach połączenia rur jednostki zewnętrznej, używając do tego wykrywacza nieszczelności lub wody z mydłem.
 - Nie używać czynnika chłodniczego z urządzenia do usuwania powietrza z przewodów czynnika chłodniczego.
 - Po zakończeniu pracy przy zaworach dokręcić korki zaworów odpowiednim momentem obrotowym: 20 do 25 N·m (200 do 250 kgf·cm). Jeśli korki nie zostaną założone i dokręcone, może dojść do wycieku czynnika chłodniczego. Nie należy także uszkodzić wewnątrz korków zaworów, ponieważ pełnią one rolę uszczelnienia, zapobiegając wyciekowi czynnika chłodniczego.
- ⑤ Uszczelnij szczelnym zakończenia termoizolacji wokół odcinków połączenia rur, aby woda nie mogła przedostać się do termoizolacji.

4. Instalacja rur czynnika chłodniczego



- A** Zawór odcinający <Strona cieczowa>
B Zawór odcinający <Strona gazowa>
C Port serwisowy
D Rura instalacji lokalnej
E Uszczelnienie, taki sam sposób dla strony gazowej
F Osiłona rur
G Odcinek otwierany/zamykany

Fig. 4-4

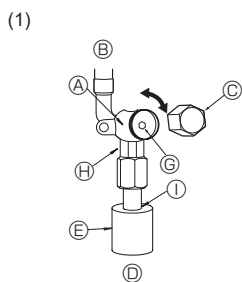


Fig. 4-5

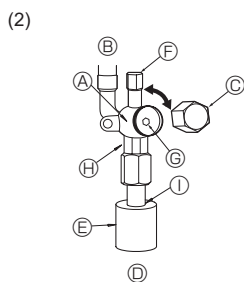
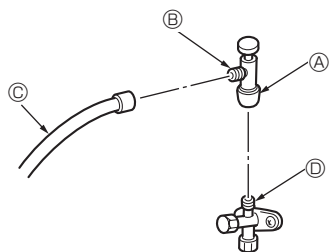


Fig. 4-6

- A** Zawór
B Strona urządzenia
C Korek
D Strona rury instalacji lokalnej
E Osiłona rur
F Port serwisowy
G Otwór na klucz
H Odcinek dokręcany za pomocą 2 kluczy (Nie używać klucza w innym miejscu poza tym. Spowoduje to wyciek chłodziwa).
I Odcinek uszczelnienia (Uszczelnić zakończenie materiału termoizolacyjnego przy odcinku połączenia rur dowolnym posiadany materiałem uszczelniającym, aby woda nie mogła przedostać się do materiału termoizolacyjnego).



- * Rysunek po lewej jest jedynie przykładowy. Kształt zaworu odcinającego, położenie portu serwisowego itp. mogą się różnić w zależności od modelu.
 * Obrócić tylko odcinek A.
 (Nie dokręcać bardziej odcinków A i B razem).

- C** Wąż zasilający
D Port serwisowy

Fig. 4-7

4.6. Uzupelnianie czynnika chłodniczego

- Jeśli długość rur nie przekracza 30 m, nie trzeba uzupełniać czynnika chłodniczego.
- Jeśli długość rur przekracza 30 m, należy uzupełnić czynnik chłodniczy R32 w urządzeniu odpowiednio do dopuszczalnej długości rur podanej w tabeli poniżej.
 - * Po zatrzymaniu urządzenia napełnić je dodatkowym czynnikiem chłodniczym przez zawór odcinający cieczy po wytworzeniu próżni w rurach i jednostce wewnętrznej.
 - Po włączeniu urządzenia dodać czynnik chłodniczy przez zawór zwrotny gazu za pomocą bezpiecznej stacji napełniania. Nie dodawać ciekłego czynnika chłodniczego bezpośrednio przez zawór zwrotny.
 - * Po uzupełnieniu czynnika chłodniczego w urządzeniu należy zapisać dodaną ilość czynnika chłodniczego na etykiecie serwisowej (przyczepionej do urządzenia). Patrz punkt "1.5. Korzystanie z klimatyzatorów z czynnikiem chłodniczym R32", który zawiera dodatkowe informacje.

4.4. Metoda testowania szczelności rur czynnika chłodniczego (Fig. 4-4)

- (1) Podłączyć narzędzia testowe.
 - Upewnić się, że zawory odcinające A i B są zamknięte i nie otwierają ich.
 - Zwiększyć ciśnienie w przewodach czynnika chłodniczego za pomocą portu serwisowego C zaworu odcinającego cieczy A.
- (2) Nie należy gwałtownie zwiększać ciśnienia do określonej wartości; należy to robić stopniowo.
 - 1 Zwiększyć ciśnienie do 0,5 MPa (5 kgf/cm²G), odczekać 5 minut, po czym upewnić się, że ciśnienie nie spada.
 - 2 Zwiększyć ciśnienie do 1,5 MPa (15 kgf/cm²G), odczekać 5 minut, po czym upewnić się, że ciśnienie nie spada.
 - 3 Zwiększyć ciśnienie do 4,15 MPa (41,5 kgf/cm²G) i zmierzyć temperaturę otoczenia i ciśnienie czynnika chłodniczego.
- (3) Jeśli określone ciśnienie utrzymuje się przez około 1 dzień i nie spada, rury pomysłnie przeszły test i są szczelne.
 - Jeśli temperatura otoczenia zmieni się o 1°C, ciśnienie zmieni się o około 0,01 MPa (0,1 kgf/cm²G). Dokonać odpowiedniej korekty.
- (4) Jeśli ciśnienie spadnie w kroku (2) lub (3), istnieje wyciek gazu. Odszukać źródło wycieku gazu.

4.5. Metoda otwierania zaworu odcinającego

Metoda otwierania zaworu odcinającego różni się w zależności od modelu jednostki zewnętrznej. Zawory odcinające należy otwierać, stosując odpowiednią metodę.

- (1) Strona gazowa (Fig. 4-5)
 - 1 Zdejmij korek i obróć trzpień zaworu do oporu w kierunku przeciwnym do ruchu wskazówek zegara przy użyciu klucza imbusowego 5 mm. Przerwij obracanie, gdy zawór zatrzyma się na ograniczniku. (ø15,88: około 13 obrotów)
 - 2 Upewnij się, że zawór odcinający jest całkowicie otwarty, a następnie obróć korek do pierwotnego położenia.
- (2) Strona cieczowa (Fig. 4-6)
 - 1 Zdjąć korek i obrócić do oporu trzpień zaworu w kierunku przeciwnym do ruchu wskazówek zegara za pomocą klucza imbusowego 4 mm. Przerwać obracanie po osiągnięciu ogranicznika. (ø9,52: około 10 obrotów)
 - 2 Upewnij się, że zawór odcinający jest całkowicie otwarty, wcisnąć dźwignię i założyć korek.

Rury czynnika chłodniczego są bezpiecznie owinięte

- Rury można bezpiecznie owinąć do średnicy ø90 przed ich podłączeniem lub po podłączeniu. Wyciąć otwór w osłonie rur zgodnie z szablonem i owinąć rury. Szczelina wlotowa rur
- Uszczelnić kitem lub szczeliwem wlot wokół rur, aby nie było żadnych szczelin. (Pozostawienie szczelin może spowodować głośniejszą pracę lub dostanie się wody i kurzu do urządzenia, prowadząc do awarii).

Środki ostrożności podczas używania zaworu zasilającego (Fig. 4-7)

Nie dokręcać zbyt mocno portu serwisowego podczas jego instalacji, ponieważ może dojść do deformacji i poluzowania trzpienia zaworu, co spowoduje wyciek gazu.

Po ustawieniu odcinka B w żądanym kierunku należy obrócić tylko odcinek A i dokręcić. Nie dokręcać bardziej odcinków A i B po dokręceniu odcinka A.

⚠ Ostrzeżenie:

Podczas montażu jednostki, przed uruchomieniem sprężarki należy starannie podłączyć rury czynnika chłodniczego.

- Zachować ostrożność w przypadku instalowania wielu urządzeń. Podłączenie do nieprawidłowej jednostki wewnętrznej może prowadzić do nietypowo wysokiego ciśnienia i mieć poważny wpływ na wydajność pracy.
- Uzupelnianie czynnika chłodniczego R32: Przed uzupełnieniem czynnika chłodniczego R32 w urządzeniu należy upewnić się, że urządzenie zostało w 100% odłączone od zasilania sieciowego, aby całkowicie wyeliminować ryzyko wybuchu z powodu obecności iskier elektrycznych.

Model	Dopuszczalna długość rur	Dopuszczalna różnica wysokości	Dodatkowa ilość czynnika chłodniczego					© Maksymalna ilość czynnika chłodniczego
			31 - 40 m	41 - 50 m	51 - 55 m	56 - 60 m	61 - 65 m	
M100	- 55 m	- 30 m	0,4 kg	0,8 kg	1,0 kg	—	—	4,1 kg
M125, 140	- 65 m	- 30 m	0,4 kg	0,8 kg	1,0 kg	1,2 kg	1,4 kg	5,0 kg

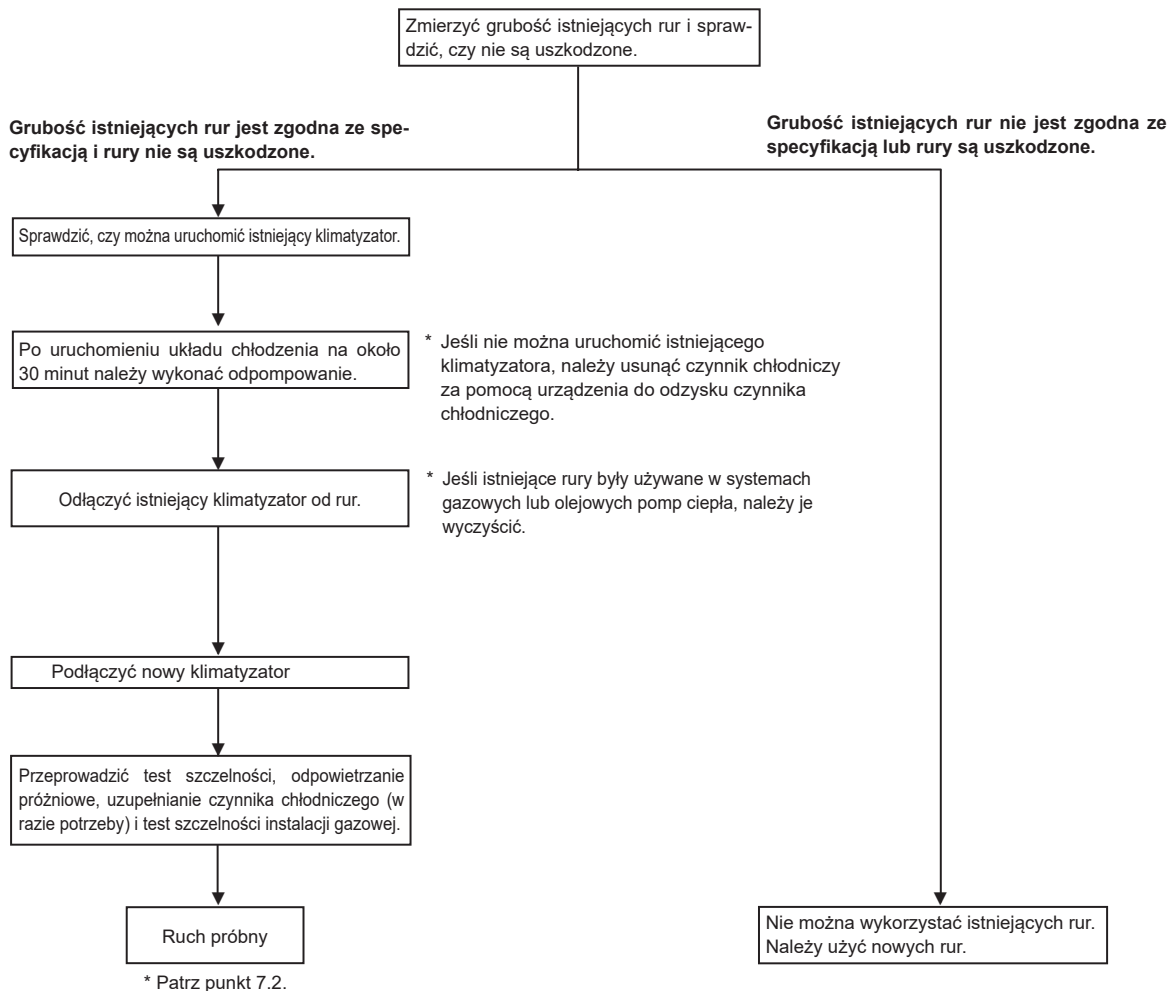
4. Instalacja rur czynnika chłodniczego

Uzupełnianie czynnika chłodniczego (kg) przy długości poniżej 30 m (długość rur niewymagająca uzupełniania)

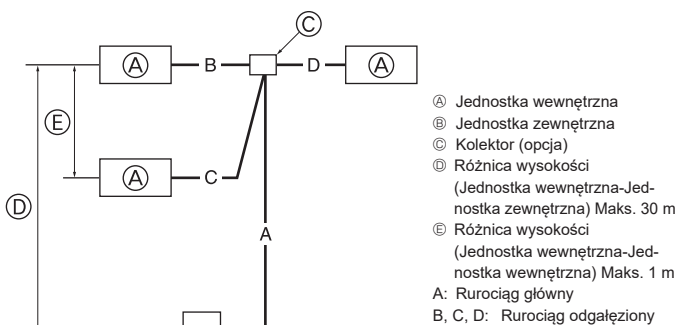
Jednostka zewnętrzna	5 m i mniej	6 - 10 m	11 - 15 m	16 - 20 m	21 - 25 m	26 - 30 m
M100	2,0	2,2	2,4	2,6	2,8	3,1
M125, 140	2,6	2,8	3,0	3,2	3,4	3,6

4.7. Środki ostrożności w przypadku ponownego wykorzystania istniejących rur, które zawierały czynnik chłodniczy R22

- Poniższy schemat pozwoli określić, czy można wykorzystać istniejące rury i czy trzeba zastosować osuszacz filtra.
- Jeśli średnica istniejących rur różni się od podanej, należy sprawdzić w danych technologicznych, czy można wykorzystać takie rury.



<Ograniczenia instalacji rurociągu czynnika chłodniczego>



M100 : $A+B+C (+D) \leq 55$ m
 M125, 140 : $A+B+C (+D) \leq 65$ m
 * "D" oznacza układ triple.

Fig. 4-8

4.8. Układy twin/triple (Fig. 4-8)

- Kiedy to urządzenie jest używane jako jednostka FREE COMPO MULTI, należy zainstalować rurociąg czynnika chłodniczego, stosując się do ograniczeń podanych na rysunku po lewej. Ponadto, jeśli ograniczenia będą przekraczane lub jeśli będą występować kombinacje jednostek wewnętrznych i zewnętrznych, należy sprawdzić szczegółowy opis montażu w instrukcji instalacji jednostki wewnętrznej.

Jednostka zewnętrzna	Dopuszczalna całkowita długość rur A+B+C+D	B lub C lub D	Niewymagająca uzupełniania długość rur A+B+C+D
M100	55 m lub mniejszych	20 m lub mniejszych	30 m lub mniejszych
M125, 140	65 m lub mniejszych	20 m lub mniejszych	30 m lub mniejszych

Jednostka zewnętrzna	B-C lub B-D lub C-D	Liczba zgięć
M100-140	8 lub mniejszych	Do 15

5. Przewody spustowe

Podłączenie rury odprowadzającej skropliny z jednostki zewnętrznej

W przypadku konieczności zabudowy rurociągu drenażowego należy zainstalować gniazdo spustowe lub misę zlewniczą (opcja).

	M100-140
Gniazdo spustowe	PAC-SG61DS-E
Misa zlewnicza	PAC-SH97DP-E

6. Instalacja elektryczna

6.1. Jednostka zewnętrzna (Fig. 6-1 i 6-2)

- ① Usunąć panel serwisowy.
- ② Podłączyć przewody zgodnie z Fig. 6-1 i 6-2.

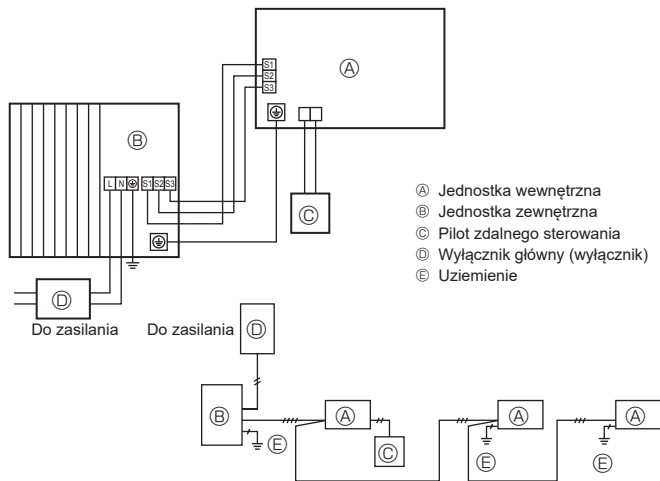


Fig. 6-1

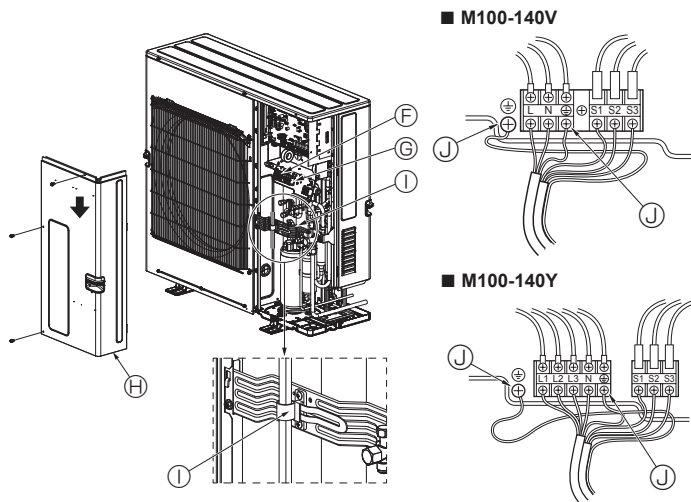


Fig. 6-2

- F Listwa zaciskowa
 G Listwa zaciskowa podłączenia jednostki wewnętrznej/zewnętrznej (S1, S2, S3)
 H Panel serwisowy
 I Zacisk
 J Zacisk uziemienia

* Zamocować kable w taki sposób, aby nie dotykały środka panelu serwisowego lub zaworu gazowego.

Uwaga:

Jeśli podczas serwisowania zostanie zdjęta osłona skrzynki elektrycznej, należy ją ponownie założyć.

⚠ Przewaga:

Upewnić się, że instalacja wyposażona jest w przewód zerowy N. Brak tego przewodu może spowodować uszkodzenie urządzenia.

6. Instalacja elektryczna

6.2. Biegunowe przewody elektryczne

Model jednostki zewnętrznej		M100, 125V	M140V	M100, 125, 140Y
Zasilanie jednostki zewnętrznej		~/N (jednofazowe), 50 Hz, 230 V	~/N (jednofazowe), 50 Hz, 230 V	3N~ (3-fazowe, 4-żyłowe), 50 Hz, 400 V
Napięcie wejściowe jednostki zewnętrznej, wyłącznik główny (wyłącznik) *1		32 A	40 A	16 A
Przewód elektryczny: liczba x średnica żył (mm ²)	Zasilanie jednostki zewnętrznej	3 x Min. 6	3 x Min. 6	5 x Min. 1,5
	Jednostka wewnętrzna – jednostka zewnętrzna *2	3 x 1,5 (biegunowy)	3 x 1,5 (biegunowy)	3 x 1,5 (biegunowy)
	Uziemienie: jednostka wewnętrzna – jednostka zewnętrzna *2	1 x Min. 1,5	1 x Min. 1,5	1 x Min. 1,5
	Zdalny sterownik – jednostka wewnętrzna *3	2 x 0,3 (niebiegunowy)	2 x 0,3 (niebiegunowy)	2 x 0,3 (niebiegunowy)
Wartość znamionowa	Jednostka zewnętrzna – między przewodem fazowym a neutralnym (przy zasilaniu jednofazowym)	230 V AC	230 V AC	230 V AC
	Jednostka zewnętrzna – między przewodami fazowymi a przewodem neutralnym L1-N, L2-N, L3-N (przy zasilaniu 3-fazowym)			
	Jednostka wewnętrzna – jednostka zewnętrzna S1 – S2 *4			
	Jednostka wewnętrzna – jednostka zewnętrzna S2 – S3 *4			
	Jednostka wewnętrzna – jednostka zewnętrzna S2 – S3 *4	24 V DC	24 V DC	24 V DC
	Zdalny sterownik – jednostka wewnętrzna *4	12 V DC	12 V DC	12 V DC

*1. Należy dostarczyć wyłącznik z przerwą między stykami wynoszącą minimum 3,0 mm. Należy zastosować wyłącznik różnicowoprądowy (NV).

Upewnić się, że wyłącznik różnicowoprądowy jest kompatybilny z wyższymi harmonicznymi.

Należy stosować wyłącznie wyłączniki różnicowoprądowe kompatybilne z wyższymi harmonicznymi, ponieważ jednostka wyposażona jest w falownik.

Zastosowanie nieodpowiedniego wyłącznika może spowodować nieodpowiednie działanie falownika.

*2. Maks. 45 m

W przypadku 2,5 mm², maks. 50 m

W przypadku 2,5 mm² i oddzielnego S3, maks. 80 m

*3. Zdalny sterownik jest wyposażony w przewód 10 m.

*4. Przedstawione liczby NIE we wszystkich wypadkach biorą pod uwagę uziemienie.

Między zaciskiem S3 i S2 jest napięcie stałe 24 V DC. Jednak w przypadku S3 i S1, zaciski te NIE są izolowane elektrycznie przez transformator ani inne urządzenie.



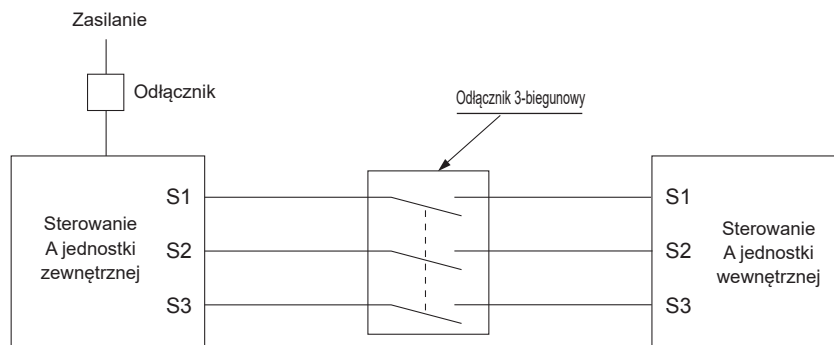
Uwagi: 1. Średnica przewodów musi być zgodna z odpowiednimi przepisami lokalnymi i krajowymi.

2. Kable zasilające i kable przyłączeniowe jednostki wewnętrznej/zewnętrznej nie mogą być niższej jakości od przewodu elastycznego w powłoce polichloroprenowej (zgodnie z normą 60245 IEC 57).

3. Użyć przewodu uziemienia o długości większej od pozostałych przewodów, aby w razie napięcia nie został odłączony.

4. Do podłączania zasilania używać wyłącznie kabli samogasnących.

5. Zwracać uwagę na prawidłowe poprowadzenie przewodów — nie mogą stykać się z krawędziami blachy ani końcówkami śrub.



⚠ Ostrzeżenie:

- W przypadku oprzewodowania sterującego "A" zacisk S3 jest pod wysokim napięciem wynikającym z konfiguracji obwodu elektrycznego – nie ma izolacji elektrycznej między przewodem zasilającym a przewodem sterującym. Z tego powodu należy na czas serwisowania odłączyć główne zasilanie. Nie należy dotykać zacisków S1, S2, S3, kiedy zasilanie znajduje się pod napięciem. Jeśli między jednostką wewnętrzną a jednostką zewnętrzną konieczne jest zastosowanie odłącznika, należy zastosować odłącznik 3-biegunowy.

Nigdy nie łączyć ze sobą (przez splatanie) przewodu zasilającego ani przewodu łączącego jednostkę zewnętrzną z wewnętrzną, ponieważ może to spowodować powstanie dymu, ognia lub błędów komunikacji.

Kable połączeniowe między jednostką wewnętrzną i zewnętrzną należy łączyć bezpośrednio z tymi jednostkami (bez połączeń pośrednich).

Połączenia pośrednie mogą prowadzić do błędów w komunikacji w przypadku przedostania się wody do kabli i pogorszenia stanu izolacji lub nieprawidłowego styku elektrycznego w punkcie połączenia pośredniego.

7. Ruch próbny

7.1. Przed rozpoczęciem pracy próbnej

- ▶ Po zakończeniu montażu oraz podłączeniu kabli i rur do jednostek wewnętrznej i zewnętrznej należy sprawdzić, czy nie ma nieszczelności w obiegu czynnika chłodniczego, czy wszystkie przewody zasilające i sterownicze są prawidłowo podłączone, czy mają właściwą biegunowość i czy wszystkie fazy są właściwie połączone.
- ▶ Za pomocą megaomomierza 500 V zmierzyc opór między zaciskami do przewodów zasilających a uziemieniem; powinien on wynosić min. 1 MΩ.
- ▶ Nie przeprowadzać tego testu dla zacisków przewodów sterowniczych (obwód niskiego napięcia).

⚠ Ostrzeżenie:

Nie używać klimatyzatora, jeśli opór izolacji jest mniejszy niż 1 MΩ.

Oporność izolacji

Po montażu lub kiedy źródło zasilania, do którego jest podłączone urządzenie, zostanie wyłączone na dłuższy czas, opór izolacji spadnie poniżej 1 MΩ z powodu nagromadzenia się czynnika chłodniczego w sprężarce. Nie jest to usterka. W takim przypadku należy postępować zgodnie z poniższą procedurą:

1. Odłączyć przewody od sprężarki i zmierzyc opór izolacji na sprężarce.
2. Jeśli wartość oporu izolacji jest mniejsza niż 1 MΩ, sprężarka uległa uszkodzeniu lub nagromadzony w niej czynnik chłodniczy spowodował spadek tego oporu.
3. Po podłączeniu przewodów i podaniu zasilania sprężarka zacznie się rozgrzewać. Po upływie czasu podanego poniżej należy ponownie zmierzyc opór izolacji.

7.2. Ruch próbny

7.2.1. Używanie SW4 w jednostce zewnętrznej

SW4-1	ON (włącz.)	Chłodzenie
SW4-2	OFF (wył.)	
SW4-1	ON (włącz.)	Grzanie
SW4-2	ON (włącz.)	

- * Po przeprowadzeniu pracy próbnej należy ustawić przełącznik SW4-1 w pozycji OFF (wył.).
- Po podaniu zasilania z wnętrza jednostki zewnętrznej może dobiegać ciche klikanie. To dźwięk otwierania i zamykania elektronicznego zaworu rozprężnego. Urządzenie nie jest uszkodzone.
- Kilka sekund po uruchomieniu sprężarki z wnętrza jednostki zewnętrznej może dobiegać brzęczenie. Dźwięk ten wydaje zawór zwrotny z powodu niewielkiej różnicy ciśnienia w rurach. Urządzenie nie jest uszkodzone.

- Opór izolacji maleje z powodu nagromadzenia czynnika chłodniczego w sprężarce. Po rozgrzewaniu sprężarki przez maks. 4 godziny opór wzrośnie do ponad 1 MΩ.
(Czas konieczny do rozgrzania sprężarki zależy od warunków atmosferycznych i nagromadzonego czynnika chłodniczego).
- W przypadku nagromadzenia czynnika chłodniczego w sprężarce należy ją rozgrzewać przed uruchomieniem przez min. 12 godzin, aby zapobiec awarii.
- 4. Jeśli opór izolacji przekroczy 1 MΩ, sprężarka nie jest uszkodzona.

⚠ Przestroga:

- W przypadku nieprawidłowego podłączenia faz sprężarka nie będzie działać.
- Włączyć zasilanie na min. 12 h przed rozpoczęciem pracy.
- Uruchomienie urządzenia natychmiast po włączeniu głównego zasilania może spowodować poważne uszkodzenie części wewnętrznych. W okresie eksploatacji urządzenia nie wolno wyłączać zasilania.

▶ Należy także sprawdzić poniższe elementy.

- Jednostka zewnętrzna nie jest uszkodzona. Uszkodzenie jednostki zewnętrznej jest sygnalizowane miganiem diod LED1 i LED2 na jej pulpicie sterowniczym.
- Zawory odcinające gazowy i cieczowy są całkowicie otwarte.
- Ochrona chroni powierzchnię panelu przełączników DIP na pulpicie sterowniczym jednostki zewnętrznej. Zdjąć osłonę, aby ułatwić obsługę przełączników DIP.

W trakcie pracy próbnej nie można zmienić jej trybu za pomocą przełącznika DIP SW4-2. (Aby w trakcie pracy próbnej zmienić jej tryb, należy przerwać pracę próbną za pomocą przełącznika DIP SW4-1. Po zmianie trybu pracy próbnej należy wznowić pracę próbną za pomocą przełącznika SW4-1).

7.2.2. Używanie zdalnego sterownika

Patrz instrukcja instalacji jednostki wewnętrznej.

Uwaga:

Czasami para powstała podczas odszraniania może przypominać dym wydobywający się z jednostki zewnętrznej.

8. Funkcje specjalne

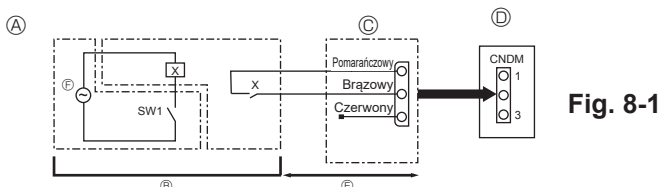


Fig. 8-1

- Ⓐ Przykład schematu obwodu (tryb pracy cichej)
- Ⓑ Rozplanowanie instalacji w miejscu przeznaczenia
- Ⓒ Adapter wejścia zewnętrznego (PAC-SC36NA-E)
- Ⓓ Pulpit sterowniczy jednostki zewnętrznej
- Ⓔ Maks. 10 m
- Ⓕ Zasilanie przekaźnika
- X: Przekaznik

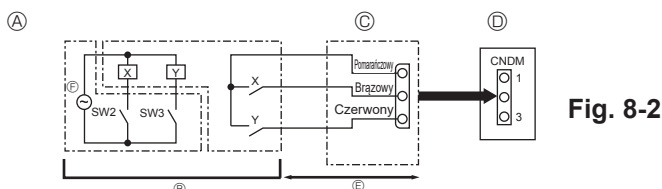


Fig. 8-2

- Ⓐ Przykład schematu obwodu (funkcja zapotrzebowania)
- Ⓑ Rozplanowanie instalacji w miejscu przeznaczenia
- Ⓒ Adapter wejścia zewnętrznego (PAC-SC36NA-E)
- Ⓓ Pulpit sterowniczy jednostki zewnętrznej
- Ⓔ Maks. 10 m
- Ⓕ Zasilanie przekaźnika
- X, Y: Przekaznik

8.1. Tryb pracy cichej (modyfikacja wykonana w miejscu przeznaczenia) (Fig. 8-1)

Wprowadzenie poniższych modyfikacji może obniżyć hałas jednostki zewnętrznej o około 3-4 dB. Tryb pracy cichej zostanie uruchomiony w przypadku, gdy do portu CNDM (opcja) na pulpicie sterowniczym jednostki zewnętrznej zostanie podłączony ogólnodostępny timer lub wejście potencjałowe przełącznika dwustanowego ON/OFF (wł./wył.).

- Skuteczność tego trybu zależy od temperatury i warunków panujących na zewnątrz.
- ① W przypadku użycia adapteru zewnętrznego wejścia (PAC-SC36NA-E) należy wykonać przedstawiony obwód. (Opcja)
- ② SW7-1 (pulpit sterowniczy jednostki zewnętrznej): WYŁ.
- ③ SW1 ON (wł.): Tryb pracy cichej
SW1 OFF (wył.): Praca normalna

8.2. Funkcja zapotrzebowania (modyfikacja wykonywana w miejscu przeznaczenia) (Fig. 8-2)

Wprowadzenie poniższej modyfikacji pozwala ograniczyć zużycie energii do 0-100% normalnego zużycia.

Funkcja zapotrzebowania zostanie uruchomiona w przypadku, gdy do portu CNDM (opcja) na pulpicie sterowniczym jednostki zewnętrznej zostanie podłączony ogólnodostępny timer lub wejście potencjałowe przełącznika dwustanowego ON/OFF (wł./wył.).

- ① W przypadku użycia adapteru zewnętrznego wejścia (PAC-SC36NA-E) należy wykonać przedstawiony obwód. (Opcja)
- ② Ustawiając SW7-1 na pulpicie sterowniczym jednostki zewnętrznej, zużycie energii (w porównaniu z normalnym zużyciem) można ograniczyć w poniższy sposób.

	SW7-1	SW2	SW3	Zużycie energii
Funkcja zapotrzebowania	ON (włącz.)	OFF (wył.)	OFF (wył.)	100%
		ON (włącz.)	OFF (wył.)	75%
		ON (włącz.)	ON (włącz.)	50%
		OFF (wył.)	ON (włącz.)	0% (Zatrzymanie)

8. Funkcje specjalne

8.3. Usunięcie czynnika chłodniczego (odpompowanie)

W przypadku przeniesienia jednostki wewnętrznej lub jednostki zewnętrznej należy usunąć czynnik chłodniczy, wykonując poniższe czynności.

- ① Podać zasilanie (wyłącznik automatyczny).
 - * Po podaniu zasilania upewnić się, że na zdalnym sterowniku nie jest wyświetlany komunikat "CENTRALLY CONTROLLED" (STEROWANIE CENTRALNE). Jeśli jest wyświetlany komunikat "CENTRALLY CONTROLLED" (STEROWANIE CENTRALNE), nie można normalnie wykonać usuwania czynnika chłodniczego (odpompowania).
 - * Uruchomienie komunikacji między jednostkami wewnętrzną i zewnętrzną po włączeniu zasilania zajmuje około 3 minut (wyłącznik automatyczny). Rozpocząć odpompowanie 3-4 minuty po włączeniu zasilania (wyłącznik automatyczny).
- ② Po zamknięciu zaworu odcinającego cieczy ustawić przełącznik SWP na pulpicie sterowniczym jednostki zewnętrznej w pozycji WŁ. Sprężarka (jednostka zewnętrzna) i wentylatory (jednostki wewnętrzna i zewnętrzna) rozpoczną pracę i rozpocznie się usuwanie czynnika chłodniczego. Diody LED1 i LED2 na pulpicie sterowniczym jednostki zewnętrznej są włączone.
 - * Jeśli urządzenie jest wyłączone, wystarczy ustawić przełącznik SWP (przełącznik) w pozycji WŁ. Jednak nawet jeśli urządzenie zostanie wyłączone, a przełącznik SWP zostanie ustawiony w pozycji WŁ. przed upływem 3 minut od zatrzymania sprężarki, nie będzie można wykonać usuwania czynnika chłodniczego. Zaczekać, aż upłyną 3 minuty od zatrzymania sprężarki, po czym ponownie ustawić przełącznik SWP w pozycji WŁ.

- ③ Ponieważ urządzenie automatycznie zatrzymuje się w ciągu około 2-3 minut po zakończeniu usuwania czynnika chłodniczego (diody LED1 wyłączone, dioda LED2 świeci), należy szybko zamknąć zawór odcinający gaz. Jeśli dioda LED1 świeci, dioda LED2 jest wyłączone, a jednostka zewnętrzna jest wyłączona, usuwanie czynnika chłodniczego nie przebiega prawidłowo. Całkowicie otworzyć zawór odcinający cieczy i powtórzyć krok ② po upływie 3 minut.
 - * Jeśli usuwanie czynnika chłodniczego zostało wykonane normalnie (diody LED1 wyłączone, dioda LED2 świeci), urządzenie pozostanie zatrzymane do czasu wyłączenia zasilania.
- ④ Wyłączyć zasilanie (wyłącznik automatyczny).
 - * Należy pamiętać, że jeżeli podłączone przewody opcjonalne są bardzo długie i zawierają dużą ilość czynnika chłodniczego, przeprowadzenie odpompowania może być niemożliwe. Wykonując odpompowanie, należy upewnić się, że niskie ciśnienie zostało obniżone niemal do 0 MPa (manometr).



Ostrzeżenie:

Podczas odsysania czynnika chłodniczego należy przed odłączeniem przewodów czynnika chłodniczego wyłączyć sprężarkę. W razie dostania się powietrza itp. do sprężarki może dojść do jej wybuchu.

9. Sterowanie systemem (Fig. 9-1)

- Ⓐ SW 1 - 3 ~ 6 ON (włącz.)
OFF (wyl.)
 - Ⓑ SW 1 - 3 ~ 6 ON (włącz.)
OFF (wyl.)
 - Ⓒ SW 1 - 3 ~ 6 ON (włącz.)
OFF (wyl.)
- ① Jednostka zewnętrzna
② Jednostka wewnętrzna
③ Główny zdalny sterownik
④ Podrzędny zdalny sterownik
⑤ Standard 1:1 (adres czynnika chłodniczego = 00)
⑥ Równoczesna praca w układzie twin (adres czynnika chłodniczego = 01)
⑦ Równoczesna praca w układzie triple (adres czynnika chłodniczego = 02)

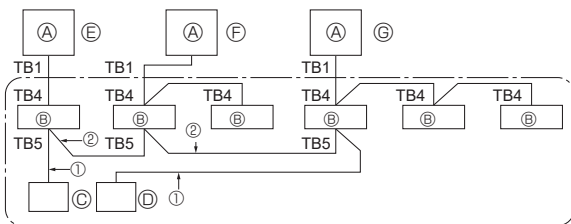


Fig. 9-1

- * Ustawić właściwy adres czynnika chłodniczego za pomocą przełącznika DIP na jednostce zewnętrznej.

① Okablowanie ze zdalnego sterownika

Ten przewód jest podłączony do TB5 (zacisk zdalnego sterownika) jednostki wewnętrznej (niebiegunowy).

② W przypadku innego grupowania układu czynnika chłodniczego.

Zdalny sterownik Slim MA umożliwia sterowanie maksymalnie 16 układami czynnika chłodniczego jako jedną grupą.

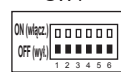
Uwaga:

W pojedynczym układzie czynnika chłodniczego (układ twin/triple) nie ma potrzeby stosowania okablowania ②.

SW1

Tabela funkcji

<SW1>



	Funkcja	Praca zgodnie z ustawieniem przełącznika	
		ON (włącz.)	OFF (wyl.)
Ustawienia funkcji SW1	1 Przymusowe odszranianie	Start	Normalna
	2 Kasowanie historii błędów	Kasuj	Normalna
	3 Ustawienie adresu układu czynnika chłodniczego	Ustawienia adresów 0-15 jednostki zewnętrznej	
	4		
	5		
	6		

İçindekiler

1. Güvenlik önlemleri	1
2. Montaj yeri	2
3. Dış ünitenin monte edilmesi	6
4. Soğutucu borularının monte edilmesi	6
5. Drenaj tesisatı işleri	10

6. Elektrik işleri	10
7. Çalışma testi	12
8. Özel fonksiyonlar	12
9. Sistem kontrolü (Fig. 9-1)	13

⚠ Dikkat:

- R32'yi Atmosfere bırakmayın.

1. Güvenlik önlemleri

- ▶ Üniteyi monte etmeden önce "Güvenlik önlemleri" nin hepsini okumalısınız.
- ▶ Lütfen sisteme bağlamadan önce elektrik kurumuna haber verin veya onayını alın.
- ▶ PUZ-M•Y ticari ve hafif endüstriyel uygulamalar için tasarlanmıştır.
- ▶ IEC/EN 61000-3-12 ile uyumlu cihaz (PUZ-M100/125/140V)

⚠ Uyarı:

Kullanıcı açısından yaralanma veya ölüm tehlikesinin önüne geçmek için alınması gereken önlemleri açıkla.

⚠ Dikkat:

Cihazın hasar görmesini önlemek için alınması gereken önlemleri açıkla.

Montaj tamamlandıktan sonra, Kullanma Kılavuzunda yer alan bilgilere uygun şekilde müşteriye cihazın "Güvenlik önlemleri" ni, kullanımını ve bakımını açıklayın ve cihazın normal şekilde çalıştığından emin olmak için bir çalışma testi yapın. Hem Montaj Kılavuzu hem de Kullanım Kılavuzu, kullanıcıda kalmak üzere kendisine verilmelidir. Bu kılavuzlar sonraki kullanıcılara da devredilmelidir.



: Topraklanması gereken parçaları gösterir.

⚠ Uyarı:

Ana üniteye yapıştırılmış olan etiketleri dikkatle okuyunuz.

⊙ : R32 soğutucu madde kullanımı ile ilgili uyarı ve ikazları gösterir.

ÜNİTE ÜZERİNDE GÖSTERİLEN SEMBOLLERİN ANLAMLARI

	UYARI (Yangın tehlikesi)	Bu işaret sadece R32 soğutucu madde içindir. Soğutucu madde türü dış ünitenin bilgi plakasının üzerinde yazılıdır. Soğutucu madde R32 ise bu üniteye alevlenebilir bir soğutucu madde kullanılıyor demektir. Soğutucu madde sızarak ateş veya sıcak parçalarla temas ederse zararlı gazlar ortaya çıkar ve yangın tehlikesi oluşur.
		Çalıştırmaya başlamadan önce ÇALIŞTIRMA KILAVUZU dokümanını dikkatlice okuyun.
		Servis personelinin çalışma öncesinde ÇALIŞTIRMA KILAVUZU ve MONTAJ KILAVUZU dokümanlarını okuması zorunludur.
		Daha fazla bilgi ÇALIŞTIRMA KILAVUZU, MONTAJ KILAVUZU ve benzeri dokümanlarda bulunabilir.

⚠ Uyarı:

- Cihaz kullanıcı tarafından monte edilmemelidir. Ünitenin montaj ve onarım işleri bir bayi veya yetkili teknisyen tarafından yapılmalıdır. Cihazın montajı yanlış yapıldığı takdirde, su kaçağı, elektrik çarpması veya yangın meydana gelebilir.
- Montaj ve yer değiştirme işleri için Montaj Kılavuzundaki talimatları izleyin ve sadece R32 soğutucu madde ile kullanılmak üzere üretilmiş aletleri ve boru bileşenlerini kullanın. R32 soğutucu için tasarlanmamış boru elemanları kullanıldığı ve cihaz doğru şekilde monte edilmediği takdirde, borular patlayabilir ve hasara veya yaralanmalara yol açabilir. Ayrıca, su kaçağı, elektrik çarpması veya yangın da meydana gelebilir.
- Deprem, fırtına veya şiddetli rüzgardan zarar görme riskini en aza indirmek için, cihaz talimatlara uygun olarak monte edilmelidir. Yanlış monte edilmiş bir cihaz düşebilir ve hasara veya yaralanmalara yol açabilir.
- Cihaz, ağırlığını taşıyabilecek bir yapı üzerine emniyetli şekilde monte edilmelidir. Cihaz dengesiz bir yapı üzerine monte edildiği takdirde, düşebilir ve hasara veya yaralanmalara yol açabilir.
- Klima cihazı küçük bir odaya kurulacaksa, soğutucu kaçağı olması durumunda oda içindeki soğutucu konsantrasyonunun güvenlik sınırını aşmasını önleyecek tedbirler alınmalıdır. İzin verilen konsantrasyonun aşılması için alınacak tedbirler konusunda satıcıya danışın. Soğutucu kaçağı olması ve konsantrasyon sınırının aşılması durumunda, oda içinde oluşan oksijen azlığı nedeniyle tehlikeli durumlara yol açılabilir.
- Kullanım sırasında soğutucu kaçağı meydana gelirse, odayı havalandırın. Soğutucunun alevle temas etmesi durumunda zehirli gazlar oluşabilir.
- Bütün elektrik işleri ruhsatlı teknisyenler tarafından, yerel yönetmeliklere ve bu kılavuzda verilen talimatlara uygun şekilde yapılmalıdır. Cihazlar kendilerine ayrılmış elektrik hatlarına bağlanmalı ve doğru voltaj ve devre kesiciler kullanılmalıdır. Yetersiz kapasiteye sahip elektrik tesisatı ve elektrik işlerinin yanlış yapılması elektrik çarpmasına veya yangına neden olabilir.
- Soğutucu borularını bağlarken, bakır ve bakır alaşımı kaynaklı borular için C1220 bakır fosfor kullanın. Borular düzgün şekilde bağlanmadığı takdirde, cihaz doğru şekilde topraklanmayacak ve elektrik çarpması riski doğacaktır.
- Bu cihaz uzman ya da mağazalarda, hafif sanayi ve çiftliklerdeki eğitimli kullanıcılar tarafından ya da belirli bir meslekten olmayan kişiler tarafından kullanıma yöneliktir.
- Kablolama için sadece belirtilen kabloları kullanın. Kabloleme bağlantıları, terminal bağlantılarında hiç gerilim uygulanmadan güvenli yapılmalıdır. Ayrıca kabloleme için kabloları hiçbir zaman birbirine bağlamayın (tersi bu belgede belirtilmedikçe). Bu talimatları uyulmaması aşırı ısınmaya ya da yangına neden olabilir.
- Elektrik kablosu hasar görmüşse, olası tehlikelerin önlenmesi için mutlaka üretici, yetkili servis veya benzer şekilde yetkili kişiler tarafından değiştirilmelidir.
- Cihaz mutlak ulusal kablo bağlantı yönetmeliklerine uygun şekilde monte edilmelidir.
- Bina dışı ünitenin terminal blok kapağı paneli sıkıca tutturulmalıdır. Kapak paneli yanlış yerleştirilirse ve üniteye toz ve nem girerse, elektrik şoku oluşabilir veya yangın çıkabilir.
- Klimanın montajını yaparken, yerini değiştirirken veya bakımını yaparken

soğutucu hatlarını doldurmak için yalnızca belirtilen soğutucuyu (R32) kullanın. Bu soğutucuyu diğer soğutucularla karıştırmayın ve hatlarda hava kalmamasını sağlayın.

Havanın soğutucuyla karışması, soğutucu hattında anormal bir basınç oluşmasına neden olabilir ve bu da patlamaya veya diğer tehlikelerin ortaya çıkmasına neden olabilir.

Sistem için belirtilenden farklı bir soğutucunun kullanılması mekanik arızaya, sistemin bozulmasına veya ünitenin arızalanmasına neden olabilir. Bu durum, en kötü ihtimalde ürün güvenliğinin sağlanması açısından bir engel ortaya çıkarabilir.

- Bunların monte edilmesi sırasında yalnızca Mitsubishi Electric tarafından izin verilen aksesuarları kullanın veya satıcı veya yetkili teknisyene danışın. Aksesuarların montajı yanlış yapıldığı takdirde, su kaçağı, elektrik çarpması veya yangın meydana gelebilir.
- Cihaz üzerinde değişiklik yapmayın. Onarım işleri için satıcıya başvurun. Değişikliklerin veya onarımların yanlış yapılması durumunda, su kaçağı, elektrik çarpması veya yangın meydana gelebilir.
- Kullanıcı asla cihazı tamir etmeye veya başka bir yere taşımaya kalkışmamalıdır. Cihazın montajı yanlış yapıldığı takdirde, su kaçağı, elektrik çarpması veya yangın meydana gelebilir. Klima cihazının onarılması veya başka bir yere taşınması gerekiyorsa, satıcı veya yetkili bir teknisyene başvurun.
- Montaj tamamlandıktan sonra, soğutucu kaçağı olup olmadığını kontrol edin. Soğutucunun odaya sızması ve herhangi bir ısıtıcının alevi veya portatif bir yemek pişirme aracının etki alanıyla temas etmesi halinde zehirli gazlar oluşabilir.
- Üreticinin tavsiyeleri dışında buz çözme işlemini veya temizleme sürecini hızlandıracak yöntemler kullanmayın.
- Bu cihaz sürekli çalışan ateşleme kaynaklarının (örneğin: açık alev, gazla çalışan bir cihaz veya elektrikli ısıtıcı) olmadığı bir odada saklanmalıdır.
- Delmeyin veya yakmayın.
- Soğutucu maddelerin her zaman belirgin bir kokuya sahip olmayacağını unutmayın.
- Gaz tesisatı fiziksel hasara karşı korunmalıdır.
- Boru tesisatı kurulumu asgaride tutulmalıdır.
- Ulusal gaz yönetmeliklerine uyulmalıdır.
- Gereklilik havalandırma açıklıklarının önünde engel bulunmamalıdır.
- Soğutucu madde borularını lehimleme gerektiğinde düşük sıcaklıklı lehim alaşımı kullanmayın.
- Lehimleme işlemini yaparken odayı yeterince havalandırdığınızdan emin olun. Civarı tehlikeli ya da yanıcı maddeler olmadığından emin olun. İş kapalı bir oda, küçük bir oda ya da benzer bir yerde yapıyorsanız, işe başlamadan önce soğutucu madde sızıntısı olmadığını kontrol edin.
- Soğutucu madde sızır ve birikirse alev alabilir ya da zehirli gazlar salınabilir.
- Cihaz, çalıştırılması için belirtilen oda alanına karşılık gelen ve iyi havalandırılan bir alanda saklanmalıdır.
- Gaz yakarak çalışan cihazları, elektrikli ısıtıcıları ve diğer olası yangın kaynaklarını (alev alma kaynakları), montaj, onarım ve klimadaki diğer işlerin yapılacağı yerlerden uzak tutun.
- Soğutucu madde alev ile temas ederse, zehirli gazlar ortaya çıkar.
- Çalışma ve taşıma sırasında sigara içmeyin.

1. Güvenlik önlemleri

1.1. Montajdan önce

⚠ Dikkat:

- Cihazı alışılmadık ortamlarda kullanmayın. Klima cihazının buhar, uçucu yağ (makine yağı dahil) ve sülfürik aside maruz kalan alanlara, deniz kenarı gibi yüksek derecede tuza maruz kalan alanlara veya cihazın karla kaplanabileceği alanlara monte edilmesi durumunda, performansı önemli ölçüde düşebilir ve iç aksamı zarar görebilir.
- Cihazı yanıcı gazların oluşabileceği, sızabileceği, akabileceği veya birikebileceği yerlere monte etmeyin. Cihazın yakınında yanıcı gazların birikmesi halinde yangın veya patlama meydana gelebilir.

- Dış ünite, ısıtma işlemi sırasında yoğuşmaya yol açar. Söz konusu yoğuşmanın zarar verme olasılığı varsa, dış ünite etrafında drenaj sağlayın.
- Cihazı hastane veya iletişim ofislerine monte ederken, gürültü ve elektronik parazite karşı hazırlıklı olun. Akım dönüştürücüler, ev aletleri, yüksek frekanslı tıbbi cihazlar ve radyo iletişim cihazları, klima cihazının çalışmasının aksamasına veya bozulmasına yol açabilir. Aynı zamanda klima cihazı da tıbbi cihazlara etki ederek ekran görüntüsünü bozmak suretiyle tıbbi bakımı ve iletişim cihazlarının çalışmasını aksatabilir.

1.2. Montajdan önce (yer değiştirme)

⚠ Dikkat:

- Ünitelerin taşınması veya kurulumu sırasında çok dikkatli olunmalıdır. 20 kg veya daha ağır olduğundan, bu cihazı taşımak için iki veya daha fazla kişi gerekir. Ambalaj bantlarından tutmayın. Üniteyi paketinden çıkarırken ve taşıırken koruyucu eldiven giyilmelidir; aksi takdirde kanatlar veya diğer parçaların kenarları ellerinizde yaralanmaya neden olabilir.
- Ambalaj maddelerinin güvenli şekilde atıldığından emin olun. Çivi veya başka metal veya tahta parçalar gibi ambalaj maddeleri batma veya başka şekillerde yaralanmalara yol açabilir.

- Dış ünitenin tabanı ve takılı parçalar gevşeme, çatlama ve diğer aksaklıklara karşı belirli aralıklarla kontrol edilmelidir. Bu gibi aksaklıklar düzeltilmeden bırakılırsa, cihaz düşebilir ve hasara veya yaralanmalara yol açabilir.
- Klima cihazını suyla temizlemeyin. Elektrik çarpması meydana gelebilir.
- Tork anahtarı kullanarak, bütün geçme somunları belirtilen değere kadar sıkın. Fazla sıkıldığı takdirde, geçme somun bir süre sonra kırılabilir ve soğutucu kaçağı meydana gelebilir.

1.3. Elektrik işlerinden önce

⚠ Dikkat:

- Devre kesicilerini taktığınızdan emin olun. Bunlar takılmadığı takdirde, elektrik çarpması meydana gelebilir.
- Elektrik tesisatında, yeterli kapasiteye sahip standart kablolar kullanın. Aksi takdirde, kısa devre, aşırı ısınma veya yangın meydana gelebilir.
- Elektrik tesisatını kurarken kabloları germeyin. Kablolar gevşedikleri takdirde kopabilir veya kırılabilir ve bunun sonucunda da aşırı ısınma veya yangına yol açabilir.

- Cihazın topraklandığından emin olun. Toprak hattını gaz veya su borularına, paratonerlere veya telefon toprak hatlarına bağlamayın. Cihaz doğru şekilde topraklanmadığı takdirde, elektrik çarpması meydana gelebilir.
- Belirtilen kapasiteye sahip devre kesicileri (toprak arıza kesici, izolasyon anahtarı (+B sigortası) ve kalıplı devre kesici) kullanın. Devre kesicinin kapasitesi belirtilenden fazla olduğu takdirde, arıza veya yangın meydana gelebilir.

1.4. Çalışma testinden önce

⚠ Dikkat:

- Cihazı çalıştırmadan en az 12 saat önce ana elektrik şalterini açın. Ana elektrik şalterini açtıktan hemen sonra cihazı çalıştırmak için parçaların ciddi hasar görmesine yol açabilir. Cihazın çalıştırılacağı mevsim boyunca ana elektrik şalterini açık bırakın.
- Çalıştırmaya başlamadan önce, bütün panellerin, muhafazaların ve diğer koruyucu parçaların doğru şekilde takılmış olduklarından emin olun. Dönen, sıcak veya yüksek voltajlı parçalar yaralanmalara yol açabilir.

- Hiçbir düğmeye ıslak elle dokunmayın. Elektrik çarpması meydana gelebilir.
- Çalışma sırasında soğutucu borularına çıplak elle dokunmayın. Soğutucu boruları, akmakta olan soğutucunun durumuna göre soğuk veya sıcak olabilir. Borulara dokunulduğu takdirde yanma veya soğuk ısırmaya meydan gelebilir.
- Klimayı durdurduktan sonra, ana şalteri kapatmadan önce en az beş dakika bekleyin. Aksi takdirde, su kaçağı veya arıza meydana gelebilir.

1.5. R32 soğutuculu klima cihazlarının kullanımı

⚠ Dikkat:

- Soğutucu borularını bağlarken, bakır ve bakır alaşımli kaynaksız borular için C1220 bakır fosfor kullanın. Boruların iç yüzeylerinin temiz ve kükürtlü bileşikler, oksidantlar, moloz veya toz gibi zararlı maddelerden arınmış olduğundan emin olun. Belirtilmiş kalınlıkta borular kullanın. (4.1. 'e' bakın) Önceden R22 soğutucusu taşımış olan mevcut boruları yeniden kullanırken şunlara dikkat edin:
 - Mevcut geçme somunları değiştirin ve kıvrımlı bölümleri tekrar geçirin.
 - İnce boru kullanmayın. (4.1. 'e' bakın)
- Montajda kullanılacak olan boruları kapalı yerde saklayın ve boruların her iki ucunu da kaynak işleminden hemen öncesine kadar kapalı tutun. (Dirsek bağlantıları, vb.'yi ambalajlarında tutun.) Soğutucu hatlarına toz, moloz veya nem girdiği takdirde, yağ bozulabilir veya kompresör arızalanabilir.
- Geçmeli bölümlere uygulanacak soğutucu yağı olarak eter yağı, eter yağı, alkilbenzen yağı (az miktarda) kullanın. Soğutma yağına mineral yağ karışırsa, yağ bozulabilir.

- Servis işlemi sadece üreticinin tavsiye ettiği şekilde yapılmalıdır.
- R32 soğutucusundan başka bir soğutucu kullanmayın.
- R32 soğutucu ile birlikte kullanılmak için özel olarak tasarlanmış aşağıdaki gereçleri kullanın: R32 soğutucuyu kullanmak için şu gereçler gereklidir: Herhangi bir sorunuz olduğu takdirde en yakın satıcıyla görüşün.

Gereçler (R32 için)	
Geyç manifoldu	Geçme aleti
Doldurma hortumu	Ebat ayarlama geyçi
Gaz sızıntı detektörü	Vakum pompa adaptörü
Tork anahtarı	Elektronik soğutucu dolum tartısı

- Doğru gereçleri kullandığınızdan emin olun. Soğutucu hatlarına toz, moloz veya nem girdiği takdirde, soğutma yağı bozulabilir.

2. Montaj yeri

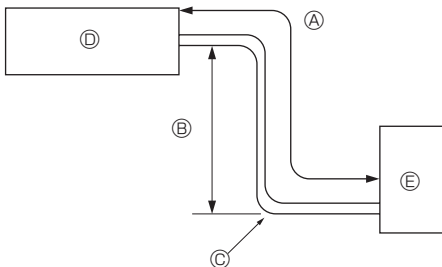


Fig. 2-1

2.1. Soğutucu boruları (Fig. 2-1)

- İç ve dış ünitelerin yükseklikleri arasındaki farkın, soğutucu borularının uzunluğunun ve borulardaki büküm sayısının aşağıda gösterilen sınırlar içinde olup olmadığını kontrol ediniz.

Modeller	Ⓐ Boruların uzunluğu (tek yönde)	Ⓑ Yükseklik farkı	Ⓒ Büküm sayısı (tek yönde)
M100	Maks. 55 m	Maks. 30 m	Maks. 15
M125/140	Maks. 65 m	Maks. 30 m	Maks. 15

- Yükseklik sınırlamaları iç ya da dış ünitelerden hangisinin daha yüksekte olduğuna bakılmaksızın geçerlidir.

- Ⓐ İç ünite
- Ⓑ Dış ünite

2. Montaj yeri

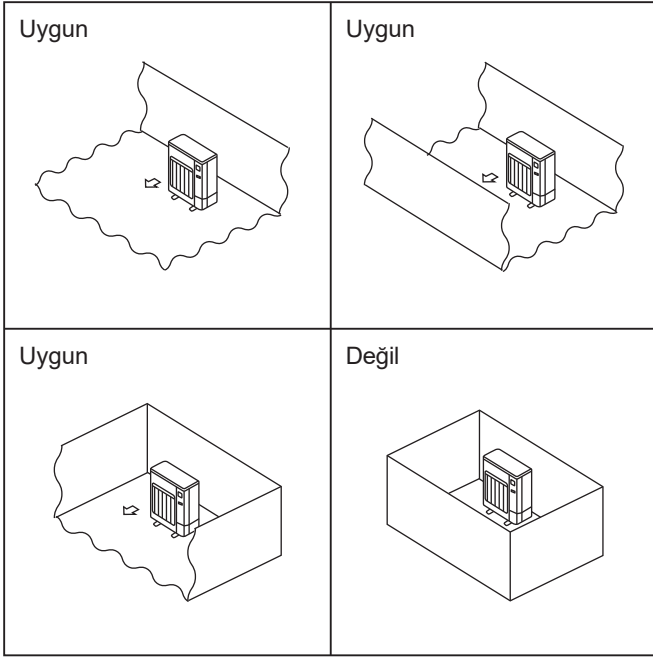


Fig. 2-2

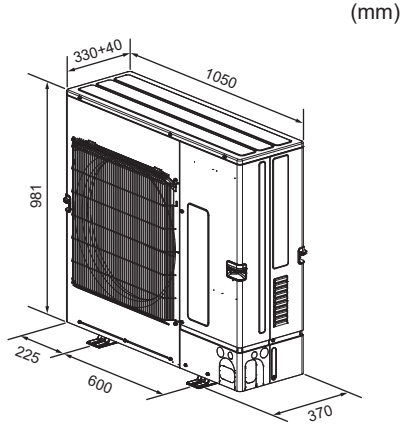


Fig. 2-3

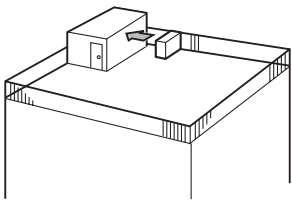


Fig. 2-4

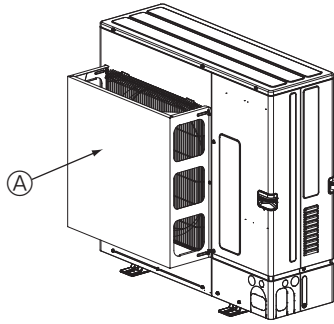


Fig. 2-5

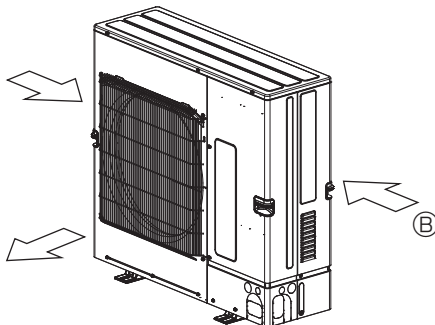


Fig. 2-6

2.2. Dış ünitenin montaj yerinin seçimi

- R32 havadan (ve de diğer soğutucu maddelerden) daha ağırdır, bu nedenle tabana çökme eğilimi gösterir (zemin bölgesinde). Eğer R32 tabanda birikirse, odanın küçük olması durumunda alev alabilecek konsantrasyona ulaşabilir. Alev almasını önlemek için, doğru havalandırma yaparak güvenli bir çalışma ortamı oluşturmak zorunludur. Yetersiz havalandırmanın olduğu bir odada veya alanda soğutucu madde sızıntısı olduğu doğrulanırsa, iş ortamı doğru şekilde havalandırılıp iyileştirilinceye kadar alev ile çalışmaktan kaçının.
- Doğrudan güneş ışığına veya diğer ısı kaynaklarına maruz kalan yerlerden kaçının.
- Cihaz tarafından yayılan sesin komşuları rahatsız etmeyeceği bir yer seçin.
- Elektrik kaynağına ve iç üniteye kolay şekilde kablo tesisatı ve boru döşemeye elverişli bir yer seçin.
- Yanıcı gazların sızıntı yaratabileceği, meydana gelebileceği, akabileceği veya birikebileceği yerlerden kaçının.
- Çalışma sırasında cihazdan su akabileceğini unutmayın.
- Cihazın ağırlığını ve titreşimini kaldıracak düz bir yer seçin.
- Cihazın karla kaplanabileceği yerlerden kaçının. Şiddetli kar yağışının beklendiği yerlerde, karın hava girişini tıkamasını veya tam karşısından yağmasını engellemek için montaj konumunu yükseltmek veya hava girişine bir kapak takmak gibi özel tedbirler alınmalıdır. Bu yapılmadığı takdirde hava akışı azalabilir ve arıza çıkabilir.
- Yağ, buhar veya kükürlü gazlara maruz kalan yerlerden kaçının.
- Cihazı taşıırken, dış üniteye yer alan taşıma kollarını kullanın. Cihaz alttan taşındığı takdirde eller veya parmaklar sıkışabilir.
- Soğutucu madde borularının bağlantıları bakım amacıyla erişilebilir olmalıdır.
- Dış üniteleri, dört yanından en az bir tanesi açık olan ve çukurlar olmayan yeterince geniş bir alana yerleştirin. (Fig. 2-2)

2.3. Dış ölçüler (Dış ünite) (Fig. 2-3)

2.4. Havalandırma ve bakım alanı

2.4.1. Rüzgarlı yerlerde montaj

Dış üniteyi çatı üstüne veya rüzgara karşı korunaksız başka bir yere monte ederken, cihazı, hava çıkışı doğrudan rüzgara karşı gelmeyecek şekilde yerleştirin. Hava çıkışından girecek güçlü rüzgar normal hava akışını aksatabilir ve arızaya yol açabilir. Güçlü rüzgarlara karşı alınabilecek üç önlem şunlardır:

- ① Hava çıkışını, en yakındaki duvara doğru, duvardan yaklaşık 500 mm uzaklıkta olacak şekilde yerleştirin. (Fig. 2-4)
- ② Ünite, tayfun ve başka nedenlerden oluşan güçlü rüzgârların doğrudan hava çıkışına girebileceği bir yere monte edilmişse, isteğe bağlı olarak sağlanan bir hava kılavuzu monte edin. (Fig. 2-5)
 - A Hava çıkış kılavuzu
- ③ Cihazın konumunu, mümkünse, hava çıkışından gelen havanın, mevsimsel rüzgarlarının yönüne dik gelmesini sağlayacak şekilde seçin. (Fig. 2-6)
 - B Rüzgarın yönü

2.4.2. Tek bir dış ünite monte ederken (Son sayfaya bakın)

Minimum ölçüler, Maksimum boyutlar anlamına gelen Max'te belirtilenler dışında, şöyledir.

Her durumda şemalara başvurun.

- ① Yalnızca arkadaki engeller (Fig. 2-7)
- ② Yalnızca arkadaki ve üstteki engeller (Fig. 2-8)
- ③ Yalnızca arkadaki ve yandaki engeller (Fig. 2-9)
- ④ Yalnızca öndeki engeller (Fig. 2-10)
 - * Opsiyonel bir hava çıkışı kılavuzu kullanıldığında, boşluk 500 mm veya daha fazladır.
- ⑤ Yalnızca öndeki ve arkadaki engeller (Fig. 2-11)
 - * Opsiyonel bir hava çıkışı kılavuzu kullanıldığında, boşluk 500 mm veya daha fazladır.
- ⑥ Yalnızca arkadaki, yandaki ve üstteki engeller (Fig. 2-12)
 - * İsteğe bağlı hava çıkış kılavuzlarını yukarı yöndeki hava akışı için kullanmayın.

2.4.3. Birden fazla dış ünite monte ederken (Son sayfaya bakın)

M100-140 için üniteler arasında 50 mm veya daha fazla boşluk bırakın.

- ① Yalnızca arkadaki engeller (Fig. 2-13)
- ② Yalnızca arkadaki ve üstteki engeller (Fig. 2-14)
 - Yan yana en fazla üç ünite yerleştirilmelidir. Ayrıca, aralarında gösterildiği şekilde boşluk bırakılmalıdır.
 - İsteğe bağlı hava çıkış kılavuzlarını yukarı yöndeki hava akışı için kullanmayın.
- ③ Yalnızca öndeki engeller (Fig. 2-15)
 - * Opsiyonel bir hava çıkışı kılavuzu kullanıldığında, M100-140 modellerde boşluk 1000 mm veya daha fazladır.
- ④ Yalnızca öndeki ve arkadaki engeller (Fig. 2-16)
 - * Opsiyonel bir hava çıkışı kılavuzu kullanıldığında, M100-140 modellerde boşluk 1000 mm veya daha fazladır.
- ⑤ Tekli paralel ünite düzeni (Fig. 2-17)
 - * Yukarı yöndeki hava akışı için isteğe bağlı hava çıkış kılavuzu kullanırken, açıklık 1000 mm veya daha fazla olmalıdır.
- ⑥ Çoklu paralel ünite düzeni (Fig. 2-18)
 - * Yukarı yöndeki hava akışı için isteğe bağlı hava çıkış kılavuzu kullanırken, açıklık 1500 mm veya daha fazla olmalıdır.
- ⑦ İstifli ünite düzeni (Fig. 2-19)
 - Üniteler üst üste en fazla iki üniteye kadar istiflenebilir.
 - Yan yana en fazla iki ünite istifli şekilde yerleştirilmelidir. Ayrıca, aralarında şekildedeki gibi boşluk bırakılmalıdır.

2. Montaj yeri

©2.5. Minimum montaj alanı

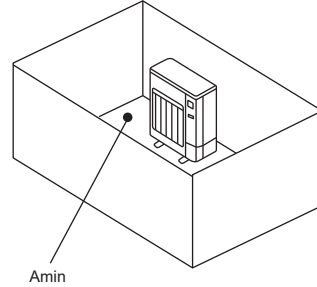
Bir üniteyi dört tarafı kapalı olan veya çukurların bulunduğu bir alana monte etmek zaruriyse, şu koşullardan (A, B veya C) birinin karşılandığından emin olun.

Not: Bu önlemler güvenliğin sağlanması içindir, spesifikasyonunun garanti edilmesi için değildir.

A) Montaj alanının yeterli olmasını sağlayın (minimum montaj alanı Amin).

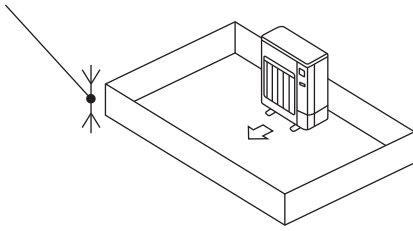
Ekipmanın montajını, soğutucu madde miktarı M'ye (fabrika dolumu soğutucu madde + yerel olarak eklenen soğutucu madde) karşılık gelecek şekilde Amin değerine eşit veya daha geniş bir alana yapın.

M [kg]	Amin [m ²]
1,0	12
1,5	17
2,0	23
2,5	28
3,0	34
3,5	39
4,0	45
4,5	50
5,0	56
5,5	62
6,0	67
6,5	73
7,0	78
7,5	84

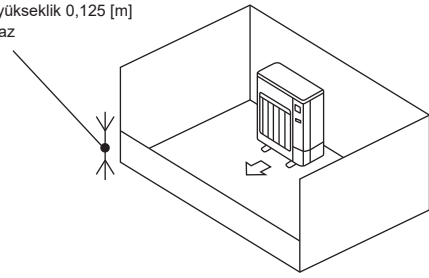


B) Çukur yüksekliğinin $\leq 0,125$ [m] olduğu bir alana montaj yapın.

Tabandan yükseklik 0,125 [m]
veya daha az



Tabandan yükseklik 0,125 [m]
veya daha az

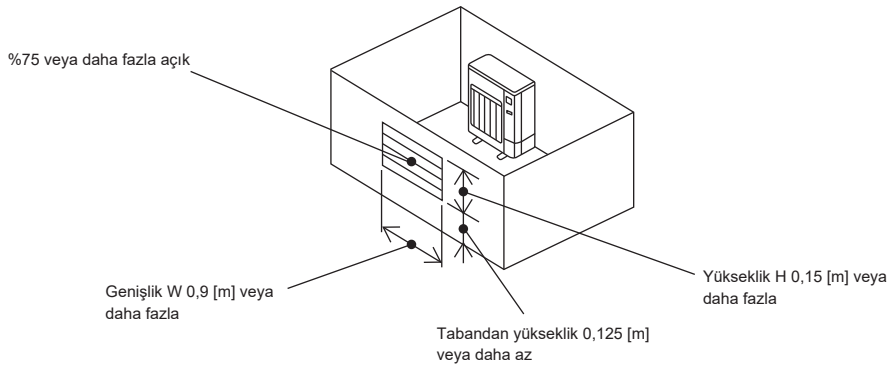


C) Havalandırma yapmak için uygun bir açık alan oluşturun.

Açık alanın genişliği 0,9 [m] veya daha fazla ve yüksekliği 0,15 [m] veya daha fazla olmalıdır.

Ancak, montaj alanının tabanından, açık alanın alt kenarına kadar olan yükseklik 0,125 [m] veya daha az olmalıdır.

Açık alanın %75'i veya daha fazlası açık olmalıdır.



2. Montaj yeri

■ İç üniteler

Ekipmanın montajını, soğutucu madde miktarı M 'ye (fabrika dolumu soğutucu madde + yerel olarak eklenen soğutucu madde) karşılık gelecek şekilde Amin değerine eşit veya daha geniş bir zemin alanına sahip bir odaya yapın.

* Fabrika dolumu soğutucu madde miktarı için spesifikasyon plakasına veya montaj kılavuzuna bakın.

Yerel olarak eklenecek miktar için montaj kılavuzuna bakın.

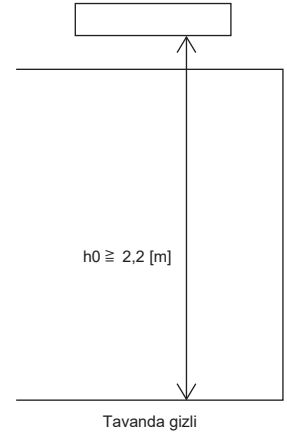
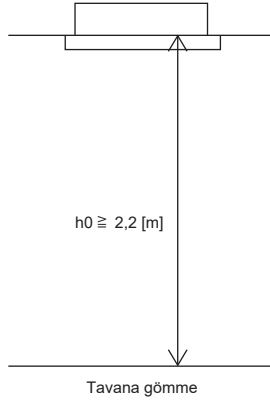
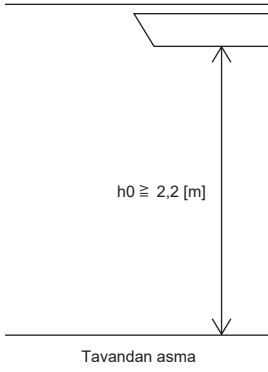
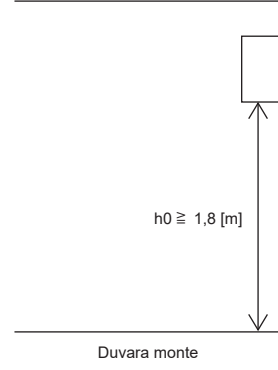
İç ünite montaj yapılırken tabandan iç ünitenin altına kadar olan yükseklik h_0 ;

duvara montaj için: 1,8 m veya daha fazla;

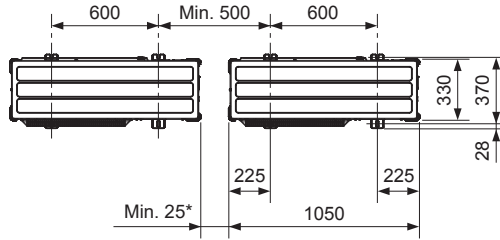
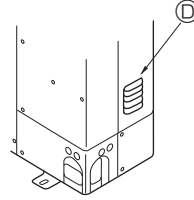
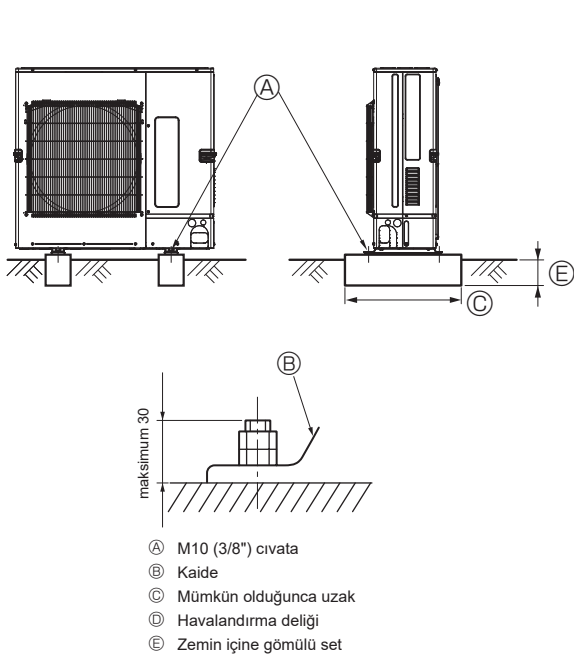
tavandan asma, tavana gömme ve tavanda gizli için: 2,2 m veya daha fazla.

* Her modelin kendine ait montaj yüksekliği kısıtlamaları vardır, bu nedenle her ünitenin montaj kılavuzunu okuyun.

M [kg]	Amin [m ²]
1,0	4
1,5	6
2,0	8
2,5	10
3,0	12
3,5	14
4,0	16
4,5	20
5,0	24
5,5	29
6,0	35
6,5	41
7,0	47
7,5	54



3. Dış ünitenin monte edilmesi



* Tek bir dış birim kurulduğunda, boşluk 15 mm veya daha fazladır.

Fig. 3-1

4. Soğutucu borularının monte edilmesi

4.1. R32 soğutucu kullanan cihazlarda alınacak önlemler

- R32 soğutuculu klima cihazlarını kullanırken alınacak önlemlerden aşağıda belirtilmemiş olanlar için 1.5. ya başvurun.
- Geçmeli bölümlere uygulanacak soğutucu yağı olarak ester yağı, eter yağı, alkilbenzen yağı (az miktarda) kullanın.
- Soğutucu borularını bağlarken, bakır ve bakır alaşımly kaynaklı borular için C1220 bakır fosfor kullanın. Aşağıdaki tabloda belirtilmiş kalınlıkta soğutucu boruları kullanın. Boruların iç yüzeylerinin temiz ve kükürtlü bileşikler, oksidanlar, moloz veya toz gibi zararlı maddelerden arınmış olduğundan emin olun. Boruları lehimlerken daima oksitlenmeyen lehim kullanın, aksi takdirde, kompresör zarar görür.

⚠ Uyarı:

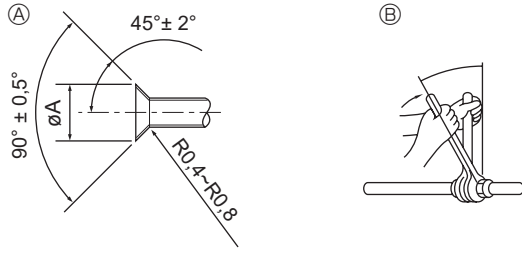
Klimanın montajını yaparken, yerini değiştirirken veya bakımını yaparken soğutucu hatlarını doldurmak için yalnızca belirtilen soğutucuyu (R32) kullanın. Bu soğutucuyu diğer soğutucularla karıştırmayın ve hatlarda hava kalmamasını sağlayın. Havanın soğutucuyla karışması, soğutucu hattında anormal bir basınç oluşmasına neden olabilir ve bu da patlamaya veya diğer tehlikelerin ortaya çıkmasına neden olabilir.

Sistem için belirtilenden farklı bir soğutucunun kullanılması mekanik arızaya, sistemin bozulmasına veya ünitenin arızalanmasına neden olabilir. Bu durum, en kötü ihtimalde ürün güvenliğinin sağlanması açısından bir engel ortaya çıkarabilir.

Boru ebadı (mm)	ø6,35	ø9,52	ø12,7	ø15,88	ø19,05	ø22,2	ø25,4	ø28,58
Kalınlık (mm)	0,8	0,8	0,8	1,0	1,0	1,0	1,0	1,0

- Yukarıda belirtilenlerden daha ince boru kullanmayın.
- Çap 19,05 mm ya da daha büyükse 1/2 H ya da H borular kullanın.
- Alev alma olasılığını önlemek için uygun havalandırmanın sağlandığından emin olun. Ayrıca, cıvarda tehlikeli veya alevlenebilir nesnelerin bulunmadığından emin olarak yangına karşı önlem alın.

4. Soğutucu borularının monte edilmesi



- Ⓐ Geçme kesim ölçüleri
Ⓑ Geçme somun sıkıştırma torku

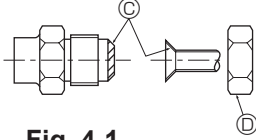


Fig. 4-1

Ⓐ (Fig. 4-1)

Bakır boru O.D. (mm)	Geçme boyutları ϕA boyutları (mm)
$\phi 6,35$	8,7 - 9,1
$\phi 9,52$	12,8 - 13,2
$\phi 12,7$	16,2 - 16,6
$\phi 15,88$	19,3 - 19,7
$\phi 19,05$	23,6 - 24,0

Ⓑ (Fig. 4-1)

Bakır boru O.D. (mm)	Geçme somun O.D. (mm)	Sıkıştırma torku (N·m)
$\phi 6,35$	17	14 - 18
$\phi 6,35$	22	34 - 42
$\phi 9,52$	22	34 - 42
$\phi 12,7$	26	49 - 61
$\phi 12,7$	29	68 - 82
$\phi 15,88$	29	68 - 82
$\phi 15,88$	36	100 - 120
$\phi 19,05$	36	100 - 120

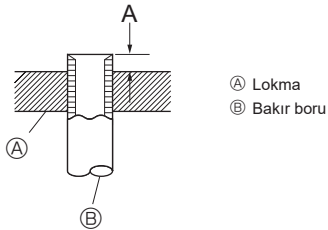
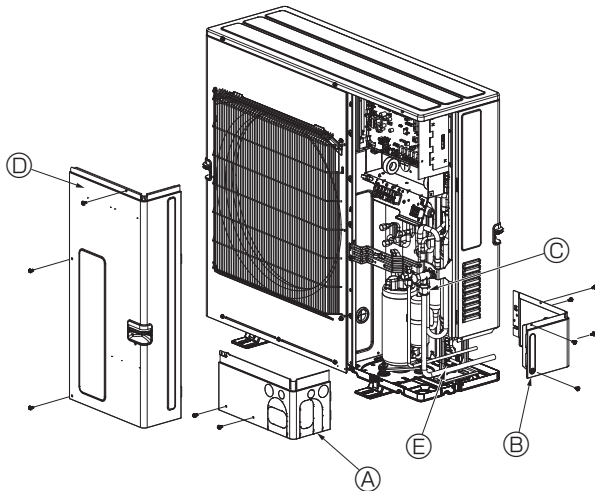


Fig. 4-2



- Ⓐ Ön boru kapağı
Ⓑ Arka boru kapağı
Ⓒ Stop valfi
Ⓓ Bakım paneli
Ⓔ Şerit yarı çapı: 100 mm-150 mm

Fig. 4-3

4.2. Boruların bağlanması (Fig. 4-1)

- Piyasada satılan bakır borular kullanıldığında, sıvı ve gaz borularını piyasada satılan yalıtım malzemeleriyle sarın (en az 100°C sıcaklığa dayanıklı olmalı veya en az 12 mm kalınlığında olmalıdır).
- Drenaj borusunun bina içindeki aksami polietilen köpük yalıtım malzemeleriyle sarılmalıdır (özgül ağırlığı 0,03 olmalı, kalınlığı en az 9 mm olmalıdır).
- Geçme somunu sıkmadan önce boru ve conta bağlantı yüzeylerine ince bir tabaka halinde soğutucu yağı uygulayınız. Ⓐ
- Boru bağlantılarını iki somun anahtarıyla sıkınız. Ⓑ
- Boru bağlantılarının yapılmasından sonra, bir kaçak dedektörü veya biraz sabunlu suyla gaz kaçağı olup olmadığını muayene ediniz.
- Bütün geçme yatağı yüzeyine soğutucu makine yağı sürünüz. Ⓒ
- Aşağıdaki boru büyüklüklerine uygun geçme somun kullanın. Ⓓ

Gaz tarafı	Boru büyüklüğü (mm)	$\phi 15,88$
Sıvı tarafı	Boru büyüklüğü (mm)	$\phi 9,52$

- Boruları bükerken kırmamaya dikkat edin. 100 mm ila 150 mm arasındaki bükme çapları yeterlidir.
- Boruların kompresöre değmemesine özen gösterin. Aksi takdirde anormal gürültü veya titreşim meydana gelebilir.
- ① Borular iç üniteden başlayarak döşenmelidir. Geçme somunlar tork anahtarı ile sıkılmalıdır.
- ② Sıvı borularını ve gaz borularını geçirin ve ince bir tabaka halinde soğutma yağı sürünüz (Yerinde uygulanır).
- Normal boru contası kullanıldığında, R32 soğutma borularının geçme işlemleri için Tablo 1'e başvurun. A ölçülerini doğrulamak için ebat ayarlamaya geyçi kullanılabilir.

Tablo 1 (Fig. 4-2)

Bakır boru O.D. (mm)	A (mm)	
	R32 için geçme aleti	R22•R407C için geçme aleti
	Kavrama tipi	
$\phi 6,35$ (1/4")	0 - 0,5	1,0 - 1,5
$\phi 9,52$ (3/8")	0 - 0,5	1,0 - 1,5
$\phi 12,7$ (1/2")	0 - 0,5	1,0 - 1,5
$\phi 15,88$ (5/8")	0 - 0,5	1,0 - 1,5
$\phi 19,05$ (3/4")	0 - 0,5	1,0 - 1,5

4.3. Soğutucu boruları (Fig. 4-3)

Servis panelini Ⓓ (3 vida) ve ön kapak panelini Ⓐ (2 vida) ve arka kapak panelini Ⓑ (5 vida) çıkartın.

- ① Dış ünitenin stop valfi tamamen kapandığında iç/dış ünite için soğutucu borusu bağlantılarını yapın.
- ② İç ünite ve bağlantı borusundaki havayı vakumla boşaltın.
- ③ Soğutucu borularını bağladıktan sonra, döşenmiş boruları ve iç üniteyi gaz kaçağına karşı kontrol edin. (4.4. Soğutucu borusu hava sızdırmazlığı test yöntemi bakın.)
- ④ -101 kPa (5 Torr) ulaştıktan sonra yeterli bir süre boyunca (en az bir saat) vakum oluşturarak boruların içini vakumla kurutmak için stop valfi servis portunda yüksek-performanslı bir vakum pompası kullanılmıştır. Her zaman geyç manifoldunda vakum derecesini kontrol edin. Eğer boruda herhangi bir nem kaldıysa, kısa-sürelili vakum uygulanmasıyla vakum derecesine bazen ulaşamaz. Vakumla kurutmadan sonra, dış ünite için stop valfini (hem sıvı hem de gaz) tamamen açınız. Bu, iç ve dış soğutma devrelerini tamamen birbirine bağlar.
 - Eğer vakumla kurutma yetersiz ise, soğutma devrelerinde kalan hava ve su buharı yüksek basıncın anormal yükselmesine, düşük basıncın anormal düşmesine, nenden dolayı dondurucu yağının bozulmasına vs. neden olabilir.
 - Kesme vanaları kapalı bırakılır ve cihaz çalıştırılırsa, kompresör ve çek valf zarar görür.
 - Dış ünitenin boru bağlantı yerlerinde kaçak dedektörü veya sabunlu su kullanarak gaz kaçağı kontrolü yapın.
 - Soğutucu hatlarındaki havayı boşaltmak için cihazdan gelen soğutucuyu kullanmayın.
 - Vana işlemi tamamlandıktan sonra, vana kapaklarını sıkarak torku düzeltin: 20 ila 25 N·m (200 ila 250 kgf·cm) arası. Kapakların yerine konmaması veya sıkıştırılmaması durumunda soğutucu kaçağı meydana gelebilir. Ayrıca, soğutucu kaçağına karşı conta görevi gördüklerinden, vana kapaklarının iç taraflarına zarar vermemeye dikkat edin.
- ⑤ Isı izolasyonuna su girmesini önlemek için, boru bağlantı yerlerinin etrafındaki ısı izolasyonunun uçlarını dolgu macunu ile sızdırmaz hale getirin.

4. Soğutucu borularının monte edilmesi

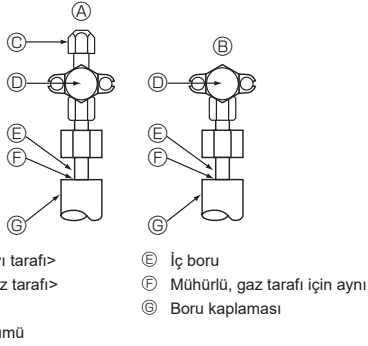


Fig. 4-4

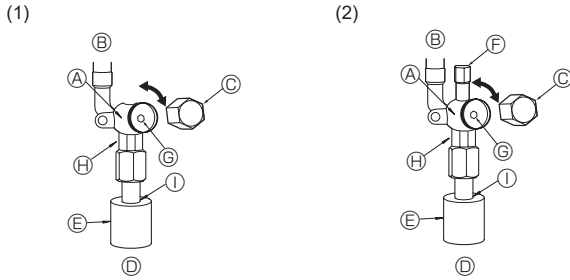
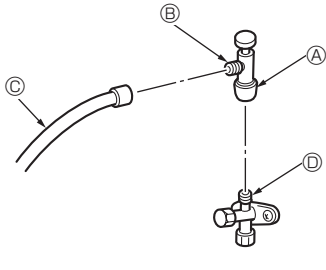


Fig. 4-5

Fig. 4-6

- Ⓐ Vana
- Ⓑ Ünite tarafı
- Ⓒ Kapak
- Ⓓ İç boru tarafı
- Ⓔ Boru kapağı
- Ⓕ Servis ağızı
- Ⓖ Anahtar boşluğu

- Ⓗ Çift gergi kısmı
(Bu kısma bundan başka bir gergi uygulamayın. Çünkü uygulanması halinde soğutucu kaçaklarına neden olur.)
- Ⓙ Sızdırmazlık kısmı
(Isı izolasyon malzemesinin ucunun sızdırmazlığını elinizde olan herhangi bir sızdırmazlık malzemesi ile boru bağlantısı kısmında sağlayın ki ısı izolasyon malzemesine su girmesin.)



- * Sol taraftaki şekil yalnızca örnektir. Stop valfinin şekli, servis portu konumu vb. modele bağlı olarak değişiklik gösterebilir.
- * Yalnızca Ⓐ bölümünü döndürün.
(Ⓐ ve Ⓑ bölümlerini daha fazla bir arada sıkımayın.)

- Ⓒ Doldurma hortumu
- Ⓓ Servis portu

Fig. 4-7

4.6. Soğutucu madde eklenmesi

- Boru uzunluğu 30 m'yi geçmiyorsa, cihaza ilave doldurma yapmak gerekmez.
- Boru uzunluğu 30 m'den fazla ise, aşağıdaki tabloda yer alan izin verilen boru uzunluklarına göre ilave R32 soğutucu ekleyin.
- * Cihaz çalışmazken, boru uzatmaları ve iç ünite vakumlandıktan sonra, sıvı kesme vanasından cihaza soğutucu ilavesi yapın. Cihaz çalışırken, güvenli dolum cihazı kullanarak gaz çek valfine soğutucu ekleyin. Sıvı soğutucuyu doğrudan çek valfe eklemeyin.
- * Cihaza soğutucu ekledikten sonra, eklenen soğutucu miktarını servis etiketine (cihaza tutturulmuş olan) yazın. Daha fazla bilgi için, "1.5. R32 soğutuculu klima cihazlarının kullanımı" na bakın.

Modeller	İzin verilen boru uzunluğu	İzin verilen dikey fark	İlave soğutucu dolun miktarı					©Maksimum soğutucu madde miktarı
			31 - 40 m	41 - 50 m	51 - 55 m	56 - 60 m	61 - 65 m	
M100	- 55 m	- 30 m	0,4 kg	0,8 kg	1,0 kg	—	—	4,1 kg
M125, 140	- 65 m	- 30 m	0,4 kg	0,8 kg	1,0 kg	1,2 kg	1,4 kg	5,0 kg

4.4. Soğutucu borusu hava sızdırmazlığı test yöntemi (Fig. 4-4)

- (1) Test araçlarını bağlayın.
 - Ⓐ Ⓑ kapama vanalarının kapalı olduğundan emin olun ve açmayın.
 - Sıvı kapama vanasının Ⓐ servis noktasından Ⓒ soğutucu hatlarına basınç ekleyin.
- (2) Belirtilen değerlerde basıncı birden eklemeyin, azar azar verin.
 - ① 0,5 Mpa'a (5 kgf/cm²G) kadar basınç verin, beş dakika bekleyin ve basıncın düşmediğinden emin olun.
 - ② 1,5 Mpa'a (15 kgf/cm²G) kadar basınç verin, beş dakika bekleyin ve basıncın düşmediğinden emin olun.
 - ③ 4,15 Mpa'a (41,5 kgf/cm²G) kadar basınç verin ve çevre sıcaklığını ve soğutucu basıncını ölçün.
- (3) Belirtilen değerlerde basıncı bir gün süreyle sabit kalır ve düşmezse, borular testi geçmiş ve kaçak yok demektir.
 - Çevre sıcaklığı 1°C değişirse, basınç yaklaşık 0,01 MPa (0,1 kgf/cm²G) değişir. Gerekli düzeltmeleri yapın.
- (4) Basınç (2) ve (3) adımda düşerse, gaz kaçağı var demektir. Gaz kaçağının kaynağını araştırın.

4.5. Kapama vanasını açma yöntemi

Stop valfi açma metodu dış ünite modeline göre değişir. Stop valfleri açmak için uygun olan metodu kullanın.

- (1) Gaz tarafı (Fig. 4-5)
 - ① Başlığı çıkarın ve 5 mm'lik bir altıgen somun anahtarıyla vana çubuğunu gidebileceği yere kadar saat yönünün tersine döndürün. Tampona dayanınca döndürmeye son verin.
(ø15,88: Yaklaşık 13 devir)
 - ② Stop valfinin tamamen açık olduğundan emin olun ve başlığı çevirerek tekrar ilk konumuna getirin.
- (2) Sıvı tarafı (Fig. 4-6)
 - ① Başlığı çıkarın ve 4 mm'lik bir altıgen somun anahtarıyla vana çubuğunu gidebileceği yere kadar saat yönünün tersine döndürün. Tampona dayanınca döndürmeye son verin.
(ø9,52: Yaklaşık 10 devir)
 - ② Stop valfinin tamamen açık olduğundan emin olun, kolu içeri itin ve başlığı çevirerek tekrar ilk konumuna getirin.

Soğutucu borular, koruyucu bir şekilde sarılmıştır

- Borular, bağlanmadan önce veya bağlandıktan sonra koruma amacıyla ø90'lık bir çapa ulaşacak şekilde sarılabilirler. Boru kaplamasındaki parçayı yarıktan itibaren kesip atın ve boruları sarın.

Boru içi boşluğu

- Boru girişindeki boruların etrafını macunla veya sızdırmaz madde ile hiç boşluk kalmayacak şekilde kapatın.
(Boşluklar kapatılmadığı takdirde, gürültü yayılır veya cihaza toz veya su girerek bozulmasına neden olabilir.)

Doldurma valfi kullanılırken alınması gereken önlemler (Fig. 4-7)

Servis portunu takarken çok fazla sıkımayın aksi takdirde, valf gövdesi deforme olabilir, gevşeyebilir ve gaz sızıntısına neden olur.

- Ⓑ bölümünün belirtilen yönde konumlandırıldıktan sonra yalnızca Ⓐ bölümünü döndürün ve sıkın.
- Ⓐ bölümünün sıkıktan sonra Ⓐ ve Ⓑ bölümünün bir arada daha fazla sıkımayın.

⚠ Uyarı:

Ünitenin montajını yaparken, kompresörü çalıştırmadan önce soğutucu borularını sağlam şekilde bağlayın.

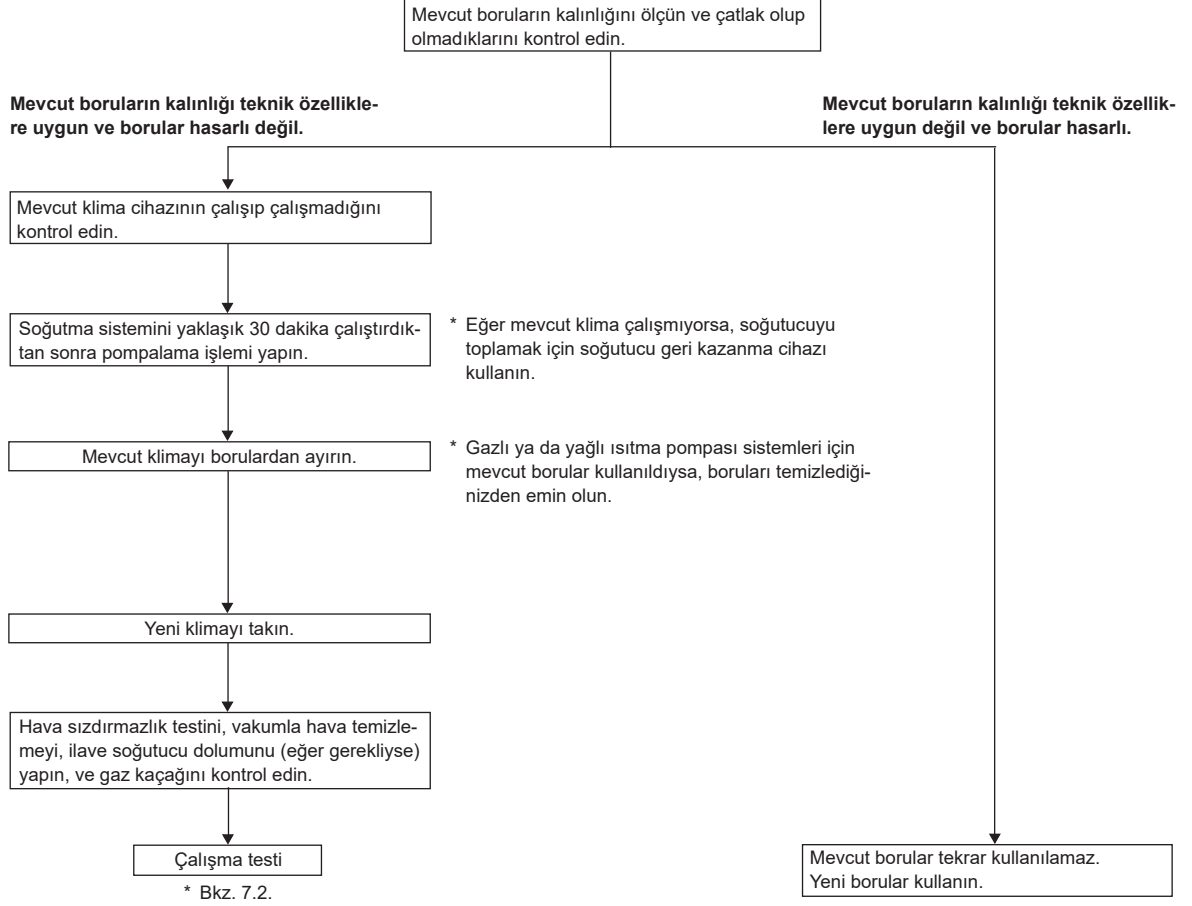
4. Soğutucu borularının monte edilmesi

30 m'den kısa soğutucu şarjını (kg) yeniden doldurma (Şarjsız boru uzunluğu)

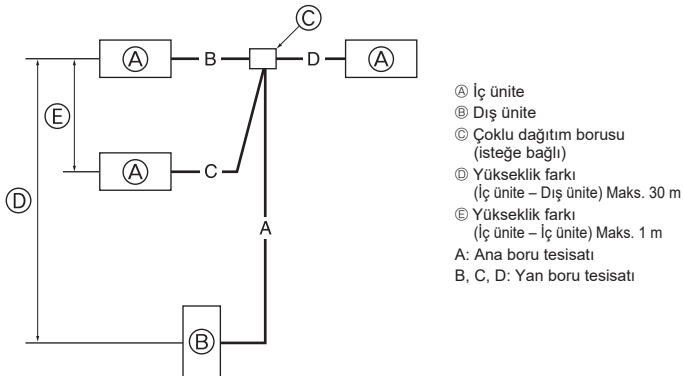
Dış ünite	5 m ve aşağısı	6 - 10 m	11 - 15 m	16 - 20 m	21 - 25 m	26 - 30 m
M100	2,0	2,2	2,4	2,6	2,8	3,1
M125, 140	2,6	2,8	3,0	3,2	3,4	3,6

4.7. Mevcut R22 soğutucu borularını yeniden kullanırken alınacak önlemler

- Mevcut boruların kullanılıp kullanılmayacağı ve filtre kurutucu kullanılması gerekip gerekmediğini belirlemek için aşağıdaki akış şemasını izleyin.
- Mevcut boruların çapları belirtilmiş çaptan farklı ise, boruların kullanılıp kullanılmayacağını teyidi için teknolojik veri belgelerine başvurun.



<Soğutucu boru tesisatı limitleri>



M100 : A+B+C (+D) ≤ 55 m
 M125, 140 : A+B+C (+D) ≤ 65 m
 * "D" üçlü anlamına gelir.

Fig. 4-8

4.8. İkili/üçlü bağlantı için (Fig. 4-8)

- Bu SERBEST KOMPOZİSYONLU ÇOKLU ünite olarak kullanıldığında, soğutma boru tesisatını soldaki çizimde belirtilmiş olan kısıtlamaları dikkate alarak monte edin. Ayrıca, eğer kısıtlamalar aşılabarsa veya iç ve dış ünitelerin kombinasyonları olarsa, montaj hakkında ayrıntılı bilgi için iç ünitenin montaj talimatlarına başvurun.

Dış ünite	İzin verilen toplam boru uzunluğu A+B+C+D	B veya C veya D	Dolumsuz boru uzunluğu A+B+C+D
M100	55 m ve aşağısı	20 m ve aşağısı	30 m ve aşağısı
M125, 140	65 m ve aşağısı	20 m ve aşağısı	30 m ve aşağısı

Dış ünite	B-C veya B-D veya C-D	Kıvrım sayısı
M100-140	8 m ve aşağısı	En fazla 15

5. Drenaj tesisatı işleri

Dış ünite drenaj borusu bağlantısı

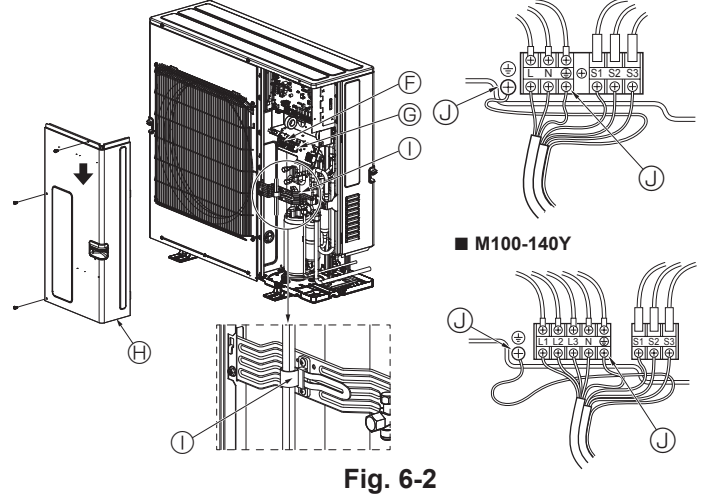
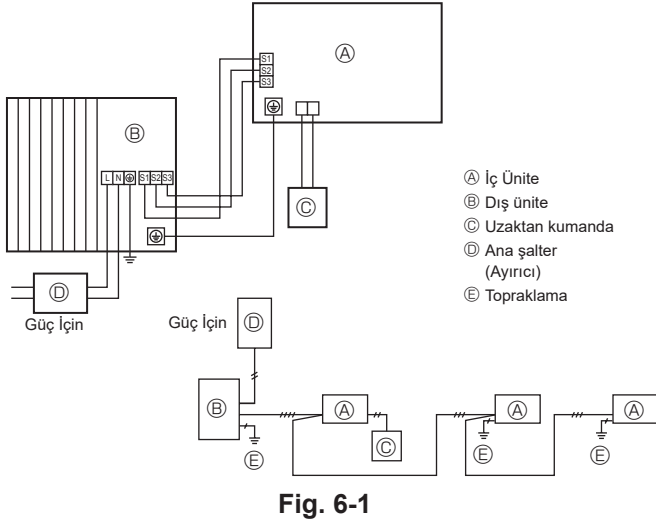
Drenaj borusu gerekli olduğu zaman, drenaj soketini veya drenaj çanağını (isteğe bağlı aksam) kullanın.

	M100-140
Drenaj soketi	PAC-SG61DS-E
Drenaj çanağı	PAC-SH97DP-E

6. Elektrik işleri

6.1. Dış ünite (Fig. 6-1, Fig. 6-2)

- 1 Servis panelini sökün.
- 2 Fig. 6-1 ve Fig. 6-2'ye bakarak kabloları bağlayın.



- E Terminal blok
- G İç/dış bağlantı terminal bloğu (S1, S2, S3)
- H Servis paneli
- I Kelepçe
- J Toprak bağlantısı

Not:

Elektrik kutusunun koruyucu kılıfı servis sırasında çıkartılmışsa, geri takıldı-ğından emin olun.

⚠ Dikkat:

N Hattını bağladığınızdan emin olun. N Hattı olmazsa, üniteye hasara yol açar.

6. Elektrik işleri

6.2. Alan elektrik kablo bağlantıları

Dış ünite modeli		M100, 125V	M140V	M100, 125, 140Y
Dış ünite güç kaynağı		~N (Tek), 50 Hz, 230 V	~N (Tek), 50 Hz, 230 V	3N~ (3 faz 4 tel), 50 Hz, 400 V
Dış ünite giriş kapasitesi Ana şalter (Ayrıcı)	*1	32 A	40 A	16 A
Kablo bağlantı Kablo No. x Çap (mm ²)	Dış ünite güç kaynağı	3 x Min. 6	3 x Min. 6	5 x Min. 1,5
	İç ünite-Dış ünite	3 x 1,5 (Kutup)	3 x 1,5 (Kutup)	3 x 1,5 (Kutup)
	İç ünite-Dış ünite topraklaması	1 x Min. 1,5	1 x Min. 1,5	1 x Min. 1,5
	Uzaktan kumanda ünitesi/İç ünite Bağlantı	2 x 0,3 (Kutupsuz)	2 x 0,3 (Kutupsuz)	2 x 0,3 (Kutupsuz)
Devrenin rejim değeri	Dış ünite L-N (Tek)	230 VAC	230 VAC	230 VAC
	Dış ünite L1-N, L2-N, L3-N (3 faz)	230 VAC	230 VAC	230 VAC
	İç ünite-Dış ünite S1-S2	230 VAC	230 VAC	230 VAC
	İç ünite-Dış ünite S2-S3	24 VDC	24 VDC	24 VDC
Uzaktan kumanda ünitesi/İç ünite Bağlantı	12 VDC	12 VDC	12 VDC	

*1. Her kutuptan en az 3,0 mm temas aralığı bırakarak, topraklama devre kesicisi (NV) kullanın.

Akım kaçacağı devre kesicisinin yüksek harmoniklerle uyumlu olduğundan emin olun.

Bu ünite bir redresörle donatıldığı için daima yüksek harmoniklerle uyumlu bir akım kaçacağı devre kesicisi kullanın.

Uyumsuz bir devre kesicinin kullanılması, dönüştürücünün (inverter) yanlış çalışmasına neden olabilir.

*2. Maks. 45 m

2,5 mm² kullanılırsa, Maks. 50 m

2,5 mm² kullanılırsa ve S3 ayrılırsa, Maks. 80 m

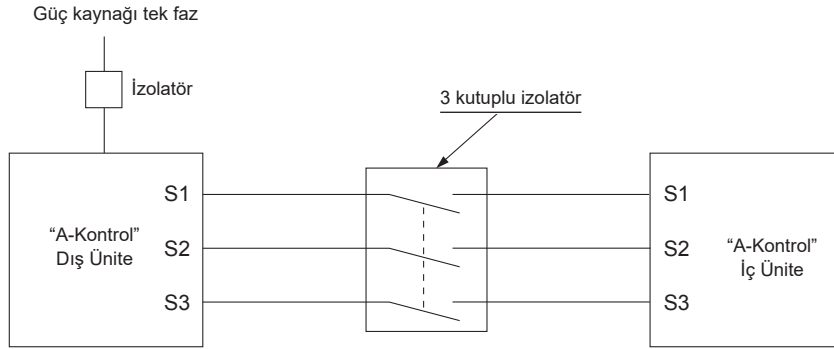
*3. Uzaktan kumanda aksesuarına 10 m uzunluğunda kablo bağlanmıştır.

*4. Rakamlar, her zaman toprağa karşı DEĞİLDİR.

S3 bağlantısı, S2 bağlantısının yanında 24 VDC gerilim kullanır. S3 ve S1 arasındaki bu bağlantılar, transformatör veya başka bir cihaz tarafından elektriksel olarak yalıtılmamıştır.



- Notlar:**
1. Kablo boyutu, ilgili yerel ve ulusal yönetmelige uygun olmalıdır.
 2. Elektrik besleme ve iç ünite/Dış ünite bağlantı kabloları polikloropren kılıflı esnek kablodan hafif olmalıdır (60245 IEC 57 tasarımı).
 3. Diğer kablolardan daha uzun bir topraklama kablosu kullanın. Bu sayede gerilim uygulandığında bağlantı kesilmeyecektir.
 4. Elektrik dağıtım kablolarının kendi kendine sönen türde olmasını sağlayın.
 5. Kabloları metal levha kenarlarına veya vida uçlarına temas etmeyecek şekilde döşeyin.



⚠ Uyarı:

- A-kumanda kablosu için güç hattı ile iletişim sinyali arasında elektrik yalıtımı yapılmamış olan elektrik devresi dizaynından kaynaklanan S3 terminalinde yüksek gerilim riski bulunmaktadır. Dolayısıyla servis yaparken ana güç beslemeyi lütfen kapatın. Ve güç verildiğinde S1, S2, S3 terminallerine dokunmayın. İzolatörün iç ve dış üniteler arasında kullanılması halinde lütfen 3 kutuplu tipi kullanın.

Güç kablosunu ya da iç-dış bağlantı kablosunu asla birbirine bağlamayın, aksi takdirde duman, yangın ya da iletişim hatasına neden olabilir.

İç-dış ünite bağlantı kablolarının doğrudan ünitelere bağlı olduğundan emin olun (ara bağlantılar olmamalıdır).

Ara bağlantılar, kablolar su girerse iletişim hatasına yol açabilir ve topraklama için yetersiz yalıtıma veya ara bağlantı noktasında zayıf bir elektrik kontağına sebep olur.

7. Çalışma testi

7.1. İşletme testinden önce

- İç ve dış ünitenin montajının ve kablo ve boru bağlantılarının tamamlanmasından sonra, soğutucu kaçağı, elektrik ve kontrol kablolarında gevşeme, hatalı polarite ve fazlardan birinde kopma olup olmadığına bakınız.
- 500-Voltluk bir megohmmetreyle besleme kaynağı terminalleriyle toprak arasında en az 1 MΩ direnç bulunduğunu kontrol ediniz.
- Bu testi kontrol kablosu (düşük gerilim devresi) terminallerinde yapmayınız.

⚠ Uyarı:

İzolasyon direnci 1 MΩ'dan azsa klimayı kullanmayınız.

İzolasyon direnci

Montajdan veya cihaza giden elektrik kesildikten uzun süre sonra, kompresörde soğutucu birikmesi nedeniyle izolasyon direnci 1 MΩ un altına düşecektir. Bu arıza anlamına gelmez. Aşağıdaki prosedürleri izleyin.

1. Kabloları kompresörden çıkarın ve kompresörün izolasyon direncini ölçün.
2. İzolasyon direnci 1 MΩ un altında ise, kompresörde arıza vardır veya direnç kompresörde soğutucu birikmesi nedeniyle düşmüştür.
3. Kabloları kompresöre bağladıktan sonra, elektriğin verilmesinin ardından kompresör ısınmaya başlayacaktır. Aşağıda verilmiş olan sürelerde elektrik verdikten sonra izolasyon direncini tekrar ölçün.

- İzolasyon direnci, kompresörde soğutucu birikmesi nedeniyle düşmüştür. Kompresör 4 saat süreyle ısındıktan sonra direnç 1 MΩ un üstüne çıkacaktır. (Kompresörün ısınması için gereken süre atmosferik koşullara veya soğutucu birikmesine göre değişir.)
 - Kompresörü içinde soğutucu birikmiş vaziyette çalıştırmak için, herhangi bir arıza meydana gelmesini önlemek amacıyla kompresörün en az 12 saat süreyle ısınması sağlanmalıdır.
4. İzolasyon direnci 1 MΩ un üstüne çıkarsa, kompresör arızalı değil demektir.

⚠ Dikkat:

- **Güç kaynağının faz bağlantısı doğru değilse kompresör çalışmaz.**
- **Cihazı çalıştırmadan en az 12 saat önce ana elektrik şalterini açınız.**
- Ana elektrik şalterini açtıktan hemen sonra cihazı çalıştırmak için parçaların ciddi hasar görmesine yol açabilir. Cihazın çalıştırılacağı mevsimde ana elektrik şalterini açık bırakınız.

► Aşağıdaki kontrollerin de yapılması gerekir.

- Dış ünite arızalı değil. Dış üniteye arıza olduğunda, dış ünitenin kontrol panosu üzerinde bulunan LED1 ve LED2 yanıp söner.
- Hem gaz hem de sıvı kesme vanaları tamamen açık.
- Dış ünitenin kontrol panosu üzerindeki DIP düğme panelinin yüzeyi koruyucu bir örtü ile kaplıdır. DIP düğmeleriyle kolayca oynamak için koruyucu örtüyü kaldırın.

7.2. Çalışma testi

7.2.1. Dış üniteye SW4 kullanarak

SW4-1	ON (AÇIK)	Soğutma operasyonu
SW4-2	OFF (KAPALI)	
SW4-1	ON (AÇIK)	Isıtma operasyonu
SW4-2	ON (AÇIK)	

- * Test çalıştırması yapıldıktan sonra, SW4-1 OFF (KAPALI)'a ayarlanmalıdır.
- Elektrik verildikten sonra, dış ünitenin içinden küçük bir tık-tak sesi gelebilir. Elektronik genişleme vanası açılıp kapanmaktadır. Ünite arızalı değildir.
- Kompresör çalışmaya başladıktan birkaç saniye sonra, dış ünitenin içinden bir gürültü gelebilir. Gürültü, borulardaki küçük basınç farklılıklarından dolayı çek valften gelmektedir. Ünite arızalı değildir.

Çalışma testi sırasında, çalışma testi modu DIP SW4-2 düğmesiyle değiştirilemez. (İşletim testi modunu çalışma testi sırasında değiştirmek için, DIP SW4-1 düğmesiyle çalışma testini durdurun. Çalışma testi modunu değiştirdikten sonra SW4-1 düğmesiyle çalışma testine devam edin.)

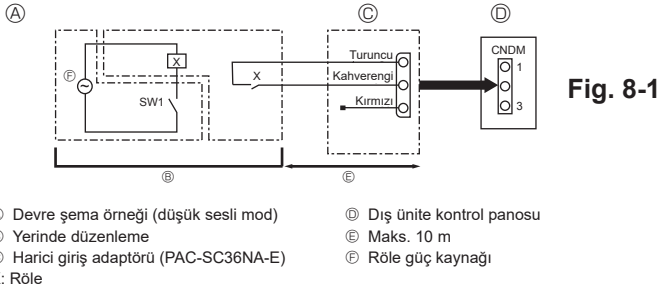
7.2.2. Uzaktan kumandayı kullanma

İç ünite montaj kılavuzuna bakın.

Not :

Genellikle, buz çözme işleminin neden olduğu buhar dış üniteye gelen duman görünebilir.

8. Özel fonksiyonlar



- Ⓐ Devre şema örneği (düşük sesli mod)
 - Ⓑ Yerinde düzenleme
 - Ⓒ Harici giriş adaptörü (PAC-SC36NA-E)
 - Ⓓ Dış ünite kontrol panosu
 - Ⓔ Maks. 10 m
 - Ⓕ Röle güç kaynağı
- X: Röle

8.1. Düşük sesli mod (yerinde değişiklik) (Fig. 8-1)

Aşağıdaki modifikasyonu gerçekleştirerek, dış ünitenin çalışma gürültüsü yaklaşık 3-4 dB düşürülebilir.

Dış ünitenin kontrol panosu üzerindeki CNDM konektörüne (isteğe bağlı) piyasada bulunan bir zamanlayıcı veya AÇMA/KAPAMA düğmesinin kontakt girişi eklendiği takdirde, düşük sesli mod devreye girecektir.

- Bu işlev dışarıdaki sıcaklık ve şartlara, vb. bağlı olarak değişir.
- ① Harici giriş adaptörü (PAC-SC36NA-E) kullanırken, devreyi gösterildiği şekilde tamamlayın. (İsteğe bağlı)
- ② SW7-1 (Dış ünite kontrol panosu): OFF
- ③ SW1 ON konumunda iken: Düşük sesli mod
SW1 OFF konumunda iken: Normal çalışma

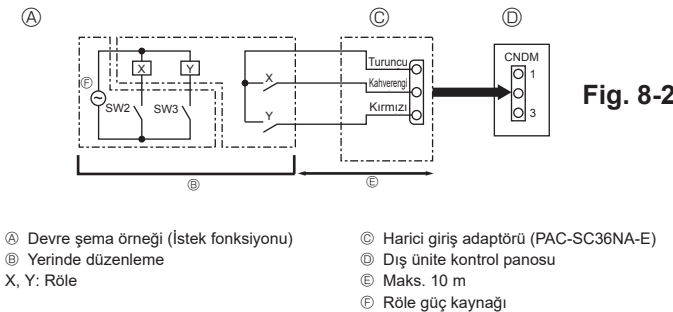
8.2. İstek fonksiyonu (yerinde değişiklik) (Fig. 8-2)

Aşağıdaki değişiklik yapılarak, enerji tüketimi normal tüketimin % 0 - %100 arasında düşürülebilir.

Dış ünitenin kontrol panosu üzerindeki CNDM konektörüne (isteğe bağlı) piyasada bulunan bir zamanlayıcı veya ON (AÇMA) / OFF (KAPAMA) düğmesinin kontakt girişi eklendiği takdirde, istek fonksiyonu devreye girecektir.

- ① Harici giriş adaptörü (PAC-SC36NA-E) kullanırken, devreyi gösterildiği şekilde tamamlayın. (İsteğe bağlı)
- ② Dış ünitenin kontrol panosu üzerindeki SW7-1'yi ayarlayarak, enerji tüketimi (normal tüketim ile kıyaslanınca) aşağıda gösterildiği gibi sınırlandırılabilir

	SW7-1	SW2	SW3	Enerji tüketimi
İstek fonksiyonu	ON	OFF	OFF	100%
		ON	OFF	75%
		ON	ON	50%
		OFF	ON	0% (Durma)



- Ⓐ Devre şema örneği (İstek fonksiyonu)
 - Ⓑ Yerinde düzenleme
 - Ⓒ Harici giriş adaptörü (PAC-SC36NA-E)
 - Ⓓ Dış ünite kontrol panosu
 - Ⓔ Maks. 10 m
 - Ⓕ Röle güç kaynağı
- X, Y: Röle

8. Özel fonksiyonlar

8.3. Soğutucu çekme işlemi (pompalama)

İç üniteyi veya dış üniteyi taşıırken soğutucuyu çekmek için aşağıdaki prosedürleri uygulayın.

① Elektrik verin (devre kesici).

* Elektrik verildiğinde uzaktan kumandanın ekranında "CENTRALLY CONTROL-LED" yazmadığından emin olun. "CENTRALLY CONTROLLED" yazıyorsa, soğutucu çekme işlemi (pompalama) normal şekilde gerçekleştirilemez.

* Güç (devre kesici) ON (Açık) konuma getirildikten sonra iç ve dış ünite iletişiminin başlaması yaklaşık 3 dakika sürer. Güç (devre kesici) ON (Açık) konuma getirildikten 3 - 4 dakika sonra aşağı pompalama işlemi başlatın.

② Sıvı vanası kapatıldıktan sonra, dış ünitenin kontrol panosu üzerindeki SWP düğmesini ON konumuna getirin. Kompresör (dış ünite) ve vantilatörler (iç ve dış üniteler) çalışmaya başlar ve soğutucu çekme işlemine başlanır. Dış ünitenin kontrol panosu üzerinde bulunan LED1 ve LED2 yanar.

* Ünite durursa, yalnızca SWP düğmesini (basmalı tip olan) ON konumuna getirin. Ancak, ünite durursa ve SWP düğmesi kompresör durduktan sonra 3 dakikadan az bir sürede ON konumuna getirilirse, soğutucu çekme işlemi yapılamaz. Kompresörün 3 dakika durmasını bekleyin ve SWP düğmesini tekrar ON konumuna getirin.

③ Soğutucu toplama işlemi tamamlandıktan sonra (LED1 kapalı, LED2 açık) ünite 2, 3 dakika içinde otomatik olarak kapandığından gaz durdurma vanasını vakit kaybetmeden kapattığınızdan emin olun. Eğer, dış ünite durduğu halde LED1 yanıyor ve LED2 kapalıysa soğutucu toplama işlevi düzgün şekilde gerçekleştirilememiş demektir. Sıvı durdurma vanasını tamamen açın ve 3 dakika bekledikten sonra ② adımı tekrarlayın.

* Soğutucu toplama işlemi düzgün şekilde tamamlandıysa (LED1 kapalı, LED2 açık), güç kesilene kadar ünite çalışmama durumunu korur.

④ Elektrikli kesin (devre kesici).

* Uzatma borusu uzun ve soğutucu miktarı fazlaysa aşağı pompalama işlemi yapmak mümkün olmayabilir. Aşağı pompalama işlemi gerçekleştirirken, düşük basıncın yaklaşık 0 MPa'ya (gösterge) düşürüldüğünden emin olun.

⚠ Uyarı:

Soğutucu pompalaması yaparken, soğutucu borularının bağlantısını kesmeden önce kompresörü durdurun. Kompresöre hava vb. girerse kompresör patlayabilir.

9. Sistem kontrolü (Fig. 9-1)

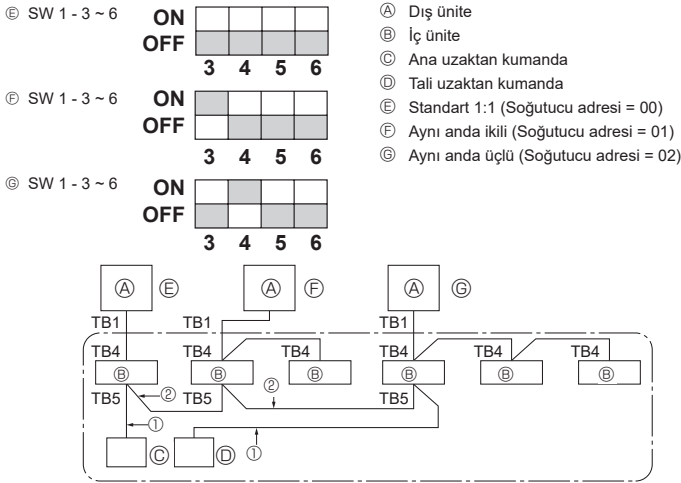


Fig. 9-1

* Dış ünitenin DİP şalteri ile soğutucu adresini ayarlayın.

① Uzaktan Kumandadan Gelen Kablo

Bu kablo, iç ünitenin (polarlanmamış) TB5'ine (uzaktan kumanda için terminal levhası) bağlanır.

② Farklı Soğutucu Sistemi Grubu Kullanıldığında ince.

MA uzaktan kumandası ile en fazla 16 soğutucu sistemi tek bir grup olarak kontrol edilebilir.

Not:

Tek soğutuculu sistemlerde (çift/üçlü) kablo bağlantısına ② gerek yoktur.

SW1
Fonksiyon
tablosu
<SW1>



	Fonksiyon	Anahtar ayarına göre çalışma	
		ON	OFF
SW1- Fonksiyon ayarları	1 Zorunlu eritme	Başlat	Normal
	2 Geçmiş hataları temizleme	Temizle	Normal
	3 Soğutucu sistemi adres ayarları	0 ile 15 arası dış ünite adres ayarları	
	4		
	5		
	6		

Bu uyarının içeriği sadece Türkiye'de geçerlidir.

- Şirketimizdeki geliştirme faaliyetlerinden dolayı ürün özelliklerinin, haber verilmeksizin değiştirilme hakkı tarafımızda saklıdır.
- Anma değerleri için TS EN 14511 / TS EN 14825 deki iklim şartları ile tarif edilen koşullar esas alınmıştır.
- İç ve dış ortam sıcaklıklarının standartlarda esas alınan değerlerin dışına çıkması durumunda klimanızın ısıtma ve soğutma kapasitelerinin etkilenmesi doğaldır.
- Ürünün üzerinde bulunan işaretlemelerde veya ürünle birlikte verilen diğer basılı dokümanlarda beyan edilen değerler, ilgili standartlara göre laboratuvar ortamında elde edilen değerlerdir. Bu değerler, ürünün kullanım ve ortam şartlarına göre değişebilir.
- Satın almış olduğunuz ürünün kullanım ömrü 10 yıldır. Bu, ürünün fonksiyonunu yerine getirebilmesi için gerekli yedek parça bulundurma süresidir.

Ürünün montajı için Mitsubishi Electric Turkey Elektrik Ürünleri A.Ş. yetkili servisine / bayisine başvurunuz.

Servis İstasyonları ve Yedek Parça Temini :

Cihazınızın bakım, onarım ve yedek parça ihtiyaçları için klimanızı satın aldığınız yetkili satıcıya başvurunuz. Yetkili Servislerimizin listesine URL: <http://klima.mitsubishielectric.com.tr> adresinden veya 444 7 500 numaralı telefondan ulaşabilirsiniz.

Ünitenin ihtiyaç duyacağı bakım ve onarım parçaları 10 yıl boyunca üretilecektir.

AEEE Yönetmeliğine Uygundur.



İthalatçı Firma:

Merkez Ofis (Head Office)

Mitsubishi Electric Turkey Elektrik Ürünleri A.Ş.

Şerifali Mah. Kale Sok. No:41 34775 Ümraniye/ İstanbul / Türkiye

Tel: + 90 216 969 25 00 Faks: + 90 216 661 44 47

klima@tr.mee.com

URL: <http://klima.mitsubishielectric.com.tr>

SİCİL NO : 845150

MERSİS NO : 0 621047840100014

Üretici Firma:





Mitsubishi Electric Corporation (Head Office)

Tokyo Building, 2-7-3, Marunouchi, Chiyoda-ku, Tokyo 100-8310, Japan

Tel: +81 (3) 3218-2111

www.mitsubishielectric.com

Information of spec name plate

AIR-CONDITIONER

MODEL ①

MAX. CURRENT (OUTDOOR ONLY) ② A

③ kg ④ ⑤ ⑥ V ⑦ Hz





HP PS ⑧ MPa ⑩ ⑪ kg (⑫ m)

LP PS ⑨ MPa SERIAL NO.

YEAR OF MANUFACTURE _____

MITSUBISHI ELECTRIC CORPORATION
 MITSUBISHI ELECTRIC CONSUMER PRODUCTS (THAILAND) CO.,LTD.
 700/406 MOO 7, TAMBON DON HUA ROH,
 AMPHUR MUANG, CHONBURI 20000, THAILAND
 MADE IN THAILAND

①	②	③	④	⑤	⑥	⑦	⑧	⑨	⑩	⑪	⑫
PUZ-M100VKA	20	76	IP24	~N	230	50	4.15	2.3	R32	3.1	30
PUZ-M125VKA	26.5	84	IP24	~N	230	50	4.15	2.3	R32	3.6	30
PUZ-M140VKA	30	84	IP24	~N	230	50	4.15	2.3	R32	3.6	30
PUZ-M100YKA	11.5	78	IP24	3N~	400	50	4.15	2.3	R32	3.1	30
PUZ-M125YKA	11.5	85	IP24	3N~	400	50	4.15	2.3	R32	3.6	30
PUZ-M140YKA	11.5	85	IP24	3N~	400	50	4.15	2.3	R32	3.6	30

SPLIT KLİMA

MODEL ①

MAKSİMUM AKIM (DIŞ ÜNİTE) ② A

③ kg ④ ⑤ ⑥ V ⑦ Hz

HP PS ⑧ MPa ⑩ ⑪ kg (⑫ m)

LP PS ⑨ MPa SERİ NO

ÜRETİM YILI _____

MITSUBISHI ELECTRIC CORPORATION
 Üretici :
 MITSUBISHI ELECTRIC CONSUMER PRODUCTS (THAILAND) CO.,LTD.
 700/406 MOO 7, TAMBON DON HUA ROH,
 AMPHUR MUANG, CHONBURI 20000, THAILAND
 Türkiye'deki İthalatçı Firma
 MITSUBISHI ELECTRIC TURKEY ELEKTRİK ÜRÜNLERİ A.Ş.
 Şerifali Mah. Kale Sok. No:41 34775 Ümraniye, İstanbul/Turkey
 TAYLAND'DA ÜRETİLMİŞTİR.

①	②	③	④	⑤	⑥	⑦	⑧	⑨	⑩	⑪	⑫
PUZ-M100VKA-ET	20	76	IP24	~N	230	50	4.15	2.3	R32	3.1	30
PUZ-M125VKA-ET	26.5	84	IP24	~N	230	50	4.15	2.3	R32	3.6	30
PUZ-M140VKA-ET	30	84	IP24	~N	230	50	4.15	2.3	R32	3.6	30
PUZ-M100YKA-ET	11.5	78	IP24	3N~	400	50	4.15	2.3	R32	3.1	30
PUZ-M125YKA-ET	11.5	85	IP24	3N~	400	50	4.15	2.3	R32	3.6	30
PUZ-M140YKA-ET	11.5	85	IP24	3N~	400	50	4.15	2.3	R32	3.6	30

EC DECLARATION OF CONFORMITY
EG-KONFORMITÄTSEKHLÄRUNG
DECLARATION DE CONFORMITÉ CE
EG-CONFORMITEITSVERKLARING

DECLARACIÓN DE CONFORMIDAD CE
DICHIARAZIONE DI CONFORMITÀ CE
ΔΗΛΩΣΗ ΠΙΣΤΟΤΗΤΑΣ ΕΚ

DECLARAÇÃO DE CONFORMIDADE CE
EU-OVERENSSTEMMELSEERKLÆRING
EG-DEKLARATION OM ÖVERENSSTÄMMELSE

CE-ERKLÆRING OM SAMSVAR
DEKLARACJA ZGODNOŚCI WE
EC UYGUNLUK BEYANI

mitsubishi electric consumer products (thailand) co., ltd.
700/406 MOO 7, TAMBON DON HUA ROH, AMPHUR MUANG, CHONBURI 20000, THAILAND

hereby declares under its sole responsibility that the air conditioners and heat pumps described below for use in residential, commercial and light-industrial environments:
erklärt hiermit auf seine alleinige Verantwortung, dass die Klimaanlage und Wärmepumpen für das häusliche, kommerzielle und leicht-industrielle Umfeld wie unten beschrieben:
déclare par la présente et sous sa propre responsabilité que les climatiseurs et les pompes à chaleur décrits ci-dessous, destinés à un usage dans des environnements résidentiels, commerciaux et d'industrie légère :
verklaart hierbij onder eigen verantwoordelijkheid dat de voor residentiële, commerciële en licht-industriële omgevingen bestemde airconditioners en warmtepompen zoals onderstaand beschreven:
por la presente declara bajo su única responsabilidad que los acondicionadores de aire y bombas de calor descritas a continuación para su uso en entornos residenciales, comerciales y de industria ligera:
conferma con la presente, sotto la sua esclusiva responsabilità, che i condizionatori d'aria e le pompe di calore descritti di seguito e destinati all'utilizzo in ambienti residenziali, commerciali e semi-industriali:
με το παρόν πιστοποιεί με αποκλειστική της ευθύνη ότι οι τα κλιματιστικά και οι αντλίες θέρμανσης που περιγράφονται παρακάτω για χρήση σε οικιακό, επαγγελματικό και ελαφριάς βιομηχανίας περιβάλλοντα:
através da presente declara sob sua única responsabilidade que os aparelhos de ar condicionado e bombas de calor abaixo descritos para uso residencial, comercial e de indústria ligeira:
erklærer hermed under eneansvar, at de herunder beskrevne airconditionanlæg og varmepumper til brug i privat boligbyggeri, erhvervsområder og inden for let industri:
intyggar härmed att luftkonditioneringarna och värmepumparna som beskrivs nedan för användning i bostäder, kommersiella miljöer och lätta industriella miljöer:
erklærer et fullstendig ansvar for undernevnte klimaanlegg og varmepumper ved bruk i boliger, samt kommersielle og lettindustrielle miljøer:
niniejszym oświadczam na swoją wyłączną odpowiedzialność, że klimatyzatory i pompy ciepła opisane poniżej, są przeznaczone do zastosowań w środowisku mieszkalnym, handlowym i lekko uprzemysłowionym:
ev, ticaret ve hafif sanayi ortamlarında kullanım amaçlı üretilen ve aşağıda açıklanan klima ve ısıtma pompalarıyla ilgili aşağıdaki hususları yalnızca kendi sorumluluğunda beyan eder:

**mitsubishi electric, PUZ-M100VKA*, PUZ-M100YKA*, PUZ-M125VKA*
PUZ-M125YKA*, PUZ-M140VKA*, PUZ-M140YKA*
PUZ-M100VKA*-ET, PUZ-M100YKA*-ET, PUZ-M125VKA*-ET
PUZ-M125YKA*-ET, PUZ-M140VKA*-ET, PUZ-M140YKA*-ET
* : , , 1, 2, 3, ... , 9**

Note: Its serial number is on the nameplate of the product.
Hinweis: Die Seriennummer befindet sich auf dem Kennschild des Produkts.
Remarque : Le numéro de série de l'appareil se trouve sur la plaque du produit.
Opmerking: het serienummer staat op het naamplaatje van het product.
Nota: El número de serie se encuentra en la placa que contiene el nombre del producto.
Nota: il numero di serie si trova sulla targhetta del prodotto.
Σημείωση: Ο σειριακός του αριθμός βρίσκεται στην πινακίδα ονόματος του προϊόντος.

Nota: o número de série encontra-se na placa que contém o nome do produto.
Bemærk: Serienummeret står på produktets fabriksskilt.
Obs: Serienumret finns på produktens namnplåt.
Merk: Serienummeret befinner seg på navneplaten til produktet.
Uwaga: Numer seryjny znajduje się na tabliczce znamionowej produktu.
Not: Seri numarası ürünün isim plakasında yer alır.

Directives
Richtlijnen
Directives
Richtlijnen
Directivas
Directive
Οδηγίες

Directivas
Direktiver
Direktiv
Direktiver
Dyrektywy
Direktifler

2014/35/EU: Low Voltage Directive
2006/42/EC: Machinery Directive
2014/30/EU: Electromagnetic Compatibility Directive
2009/125/EC: Energy-related Products Directive and Regulation (EU) No 206/2012*
* Only M100
2009/125/EC: Energy-related Products Directive and Regulation (EU) No. 2016/2281*
* Only M125/140
2011/65/EC: RoHS Directive
2014/68/EU: Pressure Equipment Directive

Issued:
THAILAND

1 Nov. 2018

Akira HIDAHA
Manager, Quality Assurance Department

<ENGLISH>

English is original. The other languages versions are translation of the original.

⚠ CAUTION

- Refrigerant leakage may cause suffocation. Provide ventilation in accordance with EN378-1.
- Be sure to wrap insulation around the piping. Direct contact with the bare piping may result in burns or frostbite.
- Never put batteries in your mouth for any reason to avoid accidental ingestion.
- Battery ingestion may cause choking and/or poisoning.
- Install the unit on a rigid structure to prevent excessive operation sound or vibration.
- The A-weighted sound pressure level is below 70dB.
- This appliance is intended to be used by expert or trained users in shops, in light industry and on farms, or for commercial use by lay persons.

<DEUTSCH>

Das Original ist in Englisch. Die anderen Sprachversionen sind vom Original übersetzt.

⚠ VORSICHT

- Wenn Kältemittel austritt, kann dies zu Erstickungen führen. Sorgen Sie in Übereinstimmung mit EN378-1 für Durchlüftung.
- Die Leitungen müssen isoliert werden. Direkter Kontakt mit nicht isolierten Leitungen kann zu Verbrennungen oder Erfrierungen führen.
- Nehmen Sie niemals Batterien in den Mund, um ein versehentliches Verschlucken zu vermeiden.
- Durch das Verschlucken von Batterien kann es zu Erstickungen und/oder Vergiftungen kommen.
- Installieren Sie das Gerät auf einem stabilen Untergrund, um übermäßige Betriebsgeräusche oder -schwingungen zu vermeiden.
- Der A-gewichtete Schalldruckpegel ist niedriger als 70dB.
- Dieses Gerät ist vorgesehen für die Nutzung durch Fachleute oder geschultes Personal in Werkstätten, in der Leichtindustrie und in landwirtschaftlichen Betrieben oder für die kommerzielle Nutzung durch Laien.

<FRANÇAIS>

L'anglais est l'original. Les versions fournies dans d'autres langues sont des traductions de l'original.

⚠ PRECAUTION

- Une fuite de réfrigérant peut entraîner une asphyxie. Fournissez une ventilation adéquate en accord avec la norme EN378-1.
- Assurez-vous que la tuyauterie est enveloppée d'isolant. Un contact direct avec la tuyauterie nue peut entraîner des brûlures ou des engelures.
- Ne mettez jamais des piles dans la bouche pour quelque raison que ce soit pour éviter de les avaler par accident.
- Le fait d'ingérer des piles peut entraîner un étouffement et/ou un empoisonnement.
- Installez l'appareil sur une structure rigide pour prévenir un bruit de fonctionnement et une vibration excessifs.
- Le niveau de pression acoustique pondéré est en dessous de 70 dB.
- Cet appareil est conçu pour un utilisateur expert ou les utilisateurs formés en magasin, dans l'industrie légère et dans l'agriculture ou dans le commerce par le profane.

<NEDERLANDS>

Het Engels is het origineel. De andere taalversies zijn vertalingen van het origineel.

⚠ VOORZICHTIG

- Het lekken van koelvoelstof kan verstikking veroorzaken. Zorg voor ventilatie in overeenstemming met EN378-1.
- Isoleer de leidingen met isolatiemateriaal. Direct contact met de onbedekte leidingen kan leiden tot brandwonden of bevriezing.
- Stop nooit batterijen in uw mond om inslikking te voorkomen.
- Het inslikken van batterijen kan verstikking of vergiftiging veroorzaken.
- Installeer het apparaat op een stabiele structuur om overmatig lawaai of trillingen te voorkomen.
- Het niveau van de geluidsdruk ligt onder 70 dB(A).
- Dit apparaat is bedoeld voor gebruik door ervaren of opgeleide gebruikers in werkplaatsen, in de lichte industrie en op boerderijen, of voor commercieel gebruik door leken.

<ESPAÑOL>

El idioma original del documento es el inglés. Las versiones en los demás idiomas son traducciones del original.

⚠ CUIDADO

- Las pérdidas de refrigerante pueden causar asfixia. Se debe proporcionar la ventilación determinada en EN378-1.
- Asegúrese de colocar el aislante alrededor de las tuberías. El contacto directo con la tubería puede ocasionar quemaduras o congelación.
- Para evitar una ingestión accidental, no coloque las pilas en su boca bajo ningún concepto.
- La ingestión de las pilas puede causar asfixia y/o envenenamiento.
- Coloque la unidad en una estructura rígida para evitar que se produzcan sonidos o vibraciones excesivos debidos a su funcionamiento.
- El nivel de presión acústica ponderado A es inferior a 70 dB.
- Este aparato está destinado a su uso por parte de usuarios expertos o capacitados en talleres, industrias ligeras y granjas, o a su uso comercial por parte de personas no expertas.

<ITALIANO>

Il testo originale è redatto in lingua Inglese. Le altre versioni linguistiche rappresentano traduzioni dell'originale.

⚠ ATTENZIONE

- Le perdite di refrigerante possono causare asfissia. Prevedere una ventilazione adeguata in conformità con la norma EN378-1.
- Accertarsi di applicare materiale isolante intorno alle tubature. Il contatto diretto con le tubature non schermate può provocare ustioni o congelamento.
- Non introdurre in nessun caso le batterie in bocca onde evitare ingestioni accidentali.
- L'ingestione delle batterie può provocare soffocamento e/o avvelenamento.
- Installare l'unità su una struttura rigida in modo da evitare rumore o vibrazioni eccessivi durante il funzionamento.
- Il livello di pressione del suono ponderato A è inferiore a 70dB.
- Questa apparecchiatura è destinata all'utilizzo da parte di utenti esperti o addestrati in negozi, industria leggera o fattorie oppure a un uso commerciale da parte di persone non esperte.

<ΕΛΛΗΝΙΚΑ>

Η γλώσσα του πρωτοτύπου είναι η αγγλική. Οι εκδόσεις άλλων γλωσσών είναι μεταφράσεις του πρωτοτύπου.

⚠ ΠΡΟΣΟΧΗ

- Η διαρροή του ψυκτικού ενδέχεται να προκαλέσει ασφυξία. Φροντίστε για τον εξαερισμό σύμφωνα με το πρότυπο EN378-1.
- Φροντίστε να τυλίξετε με μονωτικό υλικό τη σωλήνωση. Η απευθείας επαφή με τη γυμνή σωλήνωση ενδέχεται να προκαλέσει εγκαύματα ή κρυοπαγήματα.
- Μη βάζετε ποτέ τις μπαταρίες στο στόμα σας για κανένα λόγο ώστε να αποφύγετε την κατά λάθος κατάποσή τους.
- Η κατάποση μπαταριών μπορεί να προκαλέσει πνιγμό ή/και δηλητηρίαση.
- Εγκαταστήστε τη μονάδα σε σταθερή κατασκευή ώστε να αποφύγετε τον έντονο ήχο λειτουργίας ή τους κραδασμούς.
- Η Α-σταθμισμένη στάθμη ηχητικής πίεσης είναι κάτω των 70dB.
- Η συσκευή αυτή προορίζεται για χρήση από έμπειρους ή εκπαιδευμένους χρήστες σε καταστήματα, στην ελαφριά βιομηχανία και σε αγροκτήματα, ή για εμπορική χρήση από άτομα τα οποία δεν είναι ειδικευμένες.

<PORTUGUÊS>

O idioma original é o inglês. As versões em outros idiomas são traduções do idioma original.

⚠ CUIDADO

- A fuga de refrigerante pode causar asfíxia. Garanta a ventilação em conformidade com a norma EN378-1.
- Certifique-se de que envolve as tubagens com material de isolamento. O contacto directo com tubagens não isoladas pode resultar em queimaduras ou ulcerações provocadas pelo frio.
- Nunca coloque pilhas na boca, por nenhum motivo, para evitar a ingestão accidental.
- A ingestão de uma pilha pode causar obstrução das vias respiratórias e/ou envenenamento.
- Instale a unidade numa estrutura robusta, de forma a evitar ruídos ou vibrações excessivos durante o funcionamento.
- O nível de pressão sonora ponderado A é inferior a 70 dB.
- Este equipamento destina-se a ser utilizado por especialistas ou utilizadores com formação em lojas, na indústria ligeira e em quintas, ou para utilização comercial por leigos.

<DANSK>

Engelsk er originalen. De andre sprogversioner er oversættelser af originalen.

⚠ FORSIGTIG

- Lækage af kølemiddel kan forårsage kvælning. Sørg for udluftning i overensstemmelse med EN378-1.
- Sørg for at pakke rørene ind i isolering. Direkte kontakt med ubeklædte rør kan forårsage forbrændinger eller forfrysninger.
- Batterier må under ingen omstændigheder tages i munden for at forhindre utilsigtet indtagelse.
- Indtagelse af batterier kan forårsage kvælning og/eller forgiftning.
- Monter enheden på en fast struktur for at forhindre for høje driftslyde eller vibrationer.
- Det A-vægtede lydtryk niveau er under 70dB.
- Denne apparat er beregnet til at blive brugt af eksperter eller udlærte brugere i butikker, inden for let industri og på gårde eller til kommerciel anvendelse af lægmænd.

<SVENSKA>

Engelska är originalspråket. De övriga språkversionerna är översättningar av originalet.

⚠ FÖRSIKTIGHET

- Köldmedelsläckage kan leda till kvävning. Tillhandahåll ventilation i enlighet med EN378-1.
- Kom ihåg att linda isolering runt rören. Direktkontakt med bara rör kan leda till brännskador eller köldskador.
- Stoppa aldrig batterier i munnen, de kan sväljas av misstag.
- Om ett batteri sväljs kan det leda till kvävning och/eller förgiftning.
- Monter enheten på ett stadigt underlag för att förhindra höga driftslyde eller vibrationer.
- Den A-vägda ljudtrycksnivån är under 70dB.
- Den här apparat är ämnad för användning av experter eller utbildade användare i affärer, inom lätt industri och på lantbruk, eller för kommersiell användning av lekmän.

<NORSK>

Originalspråket er engelsk. De andre språkversionene er oversettelseter av originalen.

⚠ FORSIKTIG

- Kjølemiddellekkasje kan forårsake kvælning. Sørg for ventilering i samsvar med EN378-1.
- Pass på at isolering pakkes godt rundt røret. Direkte kontakt med ukledte rør kan forårsake brannskader eller forfrysninger.
- Aldri plasser batteri i munnen, da dette kan medføre en risiko for at du svelger batteriet ved et uhell.
- Hvis du svelger et batteri, kan du risikere kvælning og/eller forgiftning.
- Installer enheten på en stabil struktur for å forhindre unødvendig mye driftsstøy eller vibrering.
- Det A-vektede lydtryknivået er under 70 dB.
- Dette apparatet er ment for bruk av eksperter eller faglært personell i butikker, lettindustri og på gårder, eller for kommersielt bruk av ikke-fagmenn.

<POLSKI>

Źęzykiem oryginału jest język angielski. Inne wersje językowe stanowią tłumaczenie oryginału.

⚠ UWAGA

- Wyciek czynnika chłodniczego może spowodować uduszenie. Należy zapewnić wentylację zgodnie z normą EN378-1.
- Należy pamiętać, aby owinąć izolację wokół przewodów rurowych. Bezpośredni kontakt z niezabezpieczonymi przewodami rurowymi może doprowadzić do poparzeń lub odmrożeń.
- Nie wolno wkładać baterii do ust z jakiegokolwiek powodu, aby uniknąć przypadkowego połknięcia.
- Połknięcie baterii może spowodować zadławienie i/lub zatrucie.
- Zainstalować urządzenie na sztywnej konstrukcji, aby zapobiec nadmiernemu hałasowi i wibracjom.
- Poziom ciśnienie głośnia A nie przekracza 70 dB.
- W sklepach, w przemyśle lekkim i w gospodarstwach rolnych urządzenia powinny obsługiwać profesjonalni lub przeszkoleni użytkownicy, a w środowisku handlowym mogą to być osoby nieposiadające fachowej wiedzy.

<TÜRKÇE>

Aslı İngilizce'dir. Diğer dillerdeki sürümler aslının çevirisidir.

⚠ DİKKAT

- Soğutucu kaçağı boğulmaya neden olabilir. EN378-1 uyarınca uygun havalandırma sağlayın.
- Borular etrafına yalıtım yapıldığından emin olun. Borulara doğrudan çıplak elle dokunulması yanıklara veya soğuk ısırıklarına neden olabilir.
- Kazara yutlamak için, pilleri kesinlikle hiçbir amaçla ağzınızda tutmayın.
- Pillerin yutulması boğulmaya ve/veya zehirlenmeye yol açabilir.
- Aşırı çalışma seslerini veya titreşimi önlemek için, üniteyi sağlam bir yapı üzerine monte edin.
- A güvenilir ses gücü seviyesi 70dB'nin altındadır.
- Bu cihaz atölyelerde, hafif endüstriyel tesislerde ve çiftliklerde uzman veya eğitilmiş kullanıcılar tarafından kullanılmak üzere veya normal kullanıcılar tarafından ticari kullanım için tasarlanmıştır.

UNIT: mm

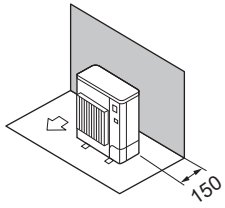


Fig. 2-7

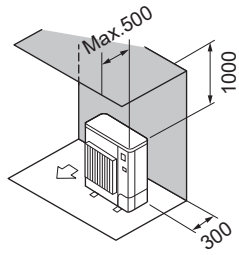


Fig. 2-8

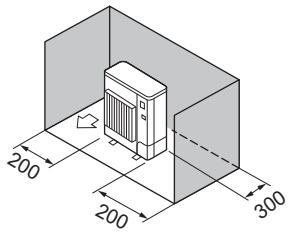


Fig. 2-9

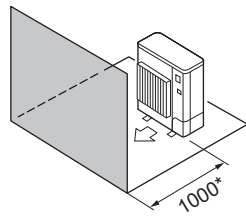


Fig. 2-10

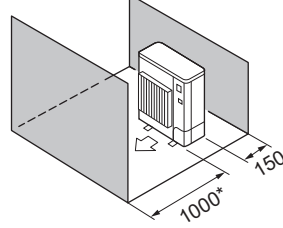


Fig. 2-11

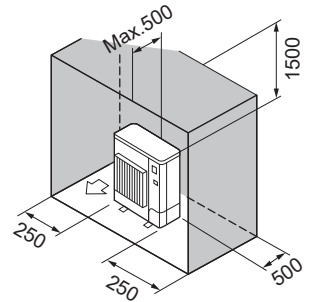


Fig. 2-12

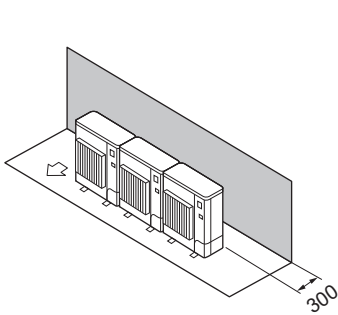


Fig. 2-13

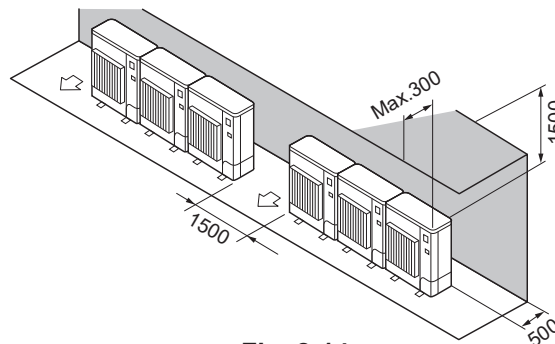


Fig. 2-14

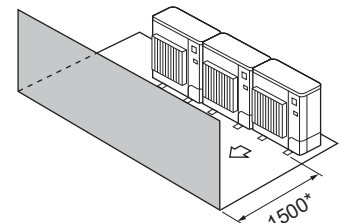


Fig. 2-15

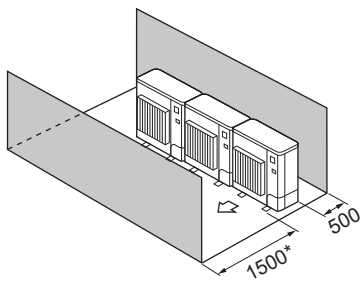


Fig. 2-16

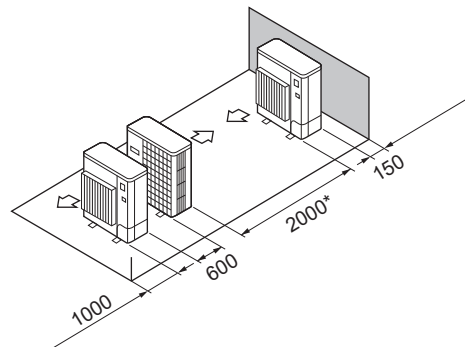


Fig. 2-17

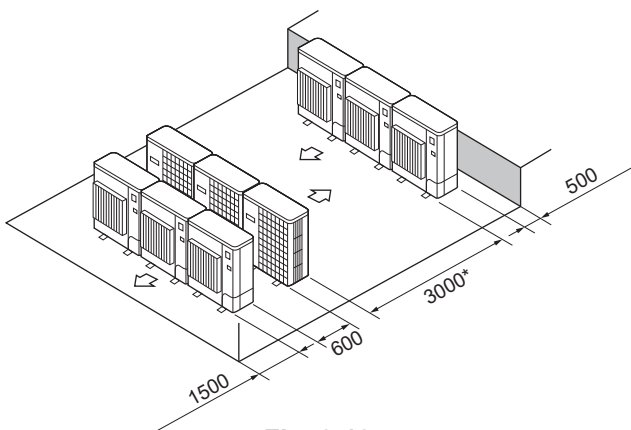


Fig. 2-18

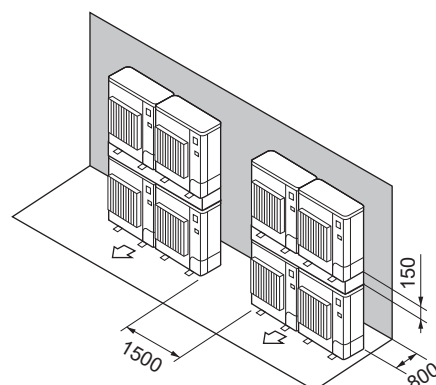


Fig. 2-19

This product is designed and intended for use in the residential, commercial and light-industrial environment.

Importer:

Mitsubishi Electric Europe B.V.
Capronilaan 46, 1119 NS, Schiphol Rijk, The Netherlands

French Branch
2, Rue De L'Union, 92565 RUEIL MAISON Cedex

German Branch
Mitsubishi-Electric-Platz 1 40882 Ratingen North Rhine-Westphalia Germany

Belgian Branch
8210 Loppem, Autobaan 2, Belgium

Irish Branch
Westgate Business Park, Ballymount Road, Upper Ballymount, Dublin 24, Ireland

Italian Branch
Via Energy Park, 14 20871 Vimercate (MB), Italy

Norwegian Branch
Gneisveien 2D, 1914 Ytre Enebakk, Norway

Portuguese Branch
Avda. do Forte 10, 2794-019, Carnaxide, Lisbon, Portugal

Spanish Branch
Av. Castilla, 2 Parque Empresarial San Fernando - Ed. Europa, 28830 San Fernando de Henares (Madrid), Spain

Scandinavian Branch
Hammarbacken 14, P.O. Box 750, SE-19127, Sollentuna, Sweden

UK Branch
Travellers Lane, Hatfield, Hertfordshire, AL10 8XB. England, UK

Polish Branch
Krakowska 50, PL-32-083 Balice, Poland

MITSUBISHI ELECTRIC TURKEY ELEKTRİK ÜRÜNLERİ A.Ş.
Şerifali Mahallesi Kale Sokak No: 41 34775 Ümraniye, İstanbul, Turkey

Please be sure to put the contact address/telephone number on this manual before handing it to the customer.

MITSUBISHI ELECTRIC CORPORATION

HEAD OFFICE: TOKYO BUILDING, 2-7-3, MARUNOUCHI, CHIYODA-KU, TOKYO 100-8310, JAPAN