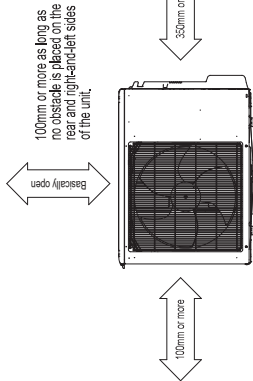


PUZ-ZM35VKA

PUZ-ZM50VKA

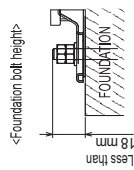
Unit: mm (inch)

Free space around the outdoor unit
(basic example)



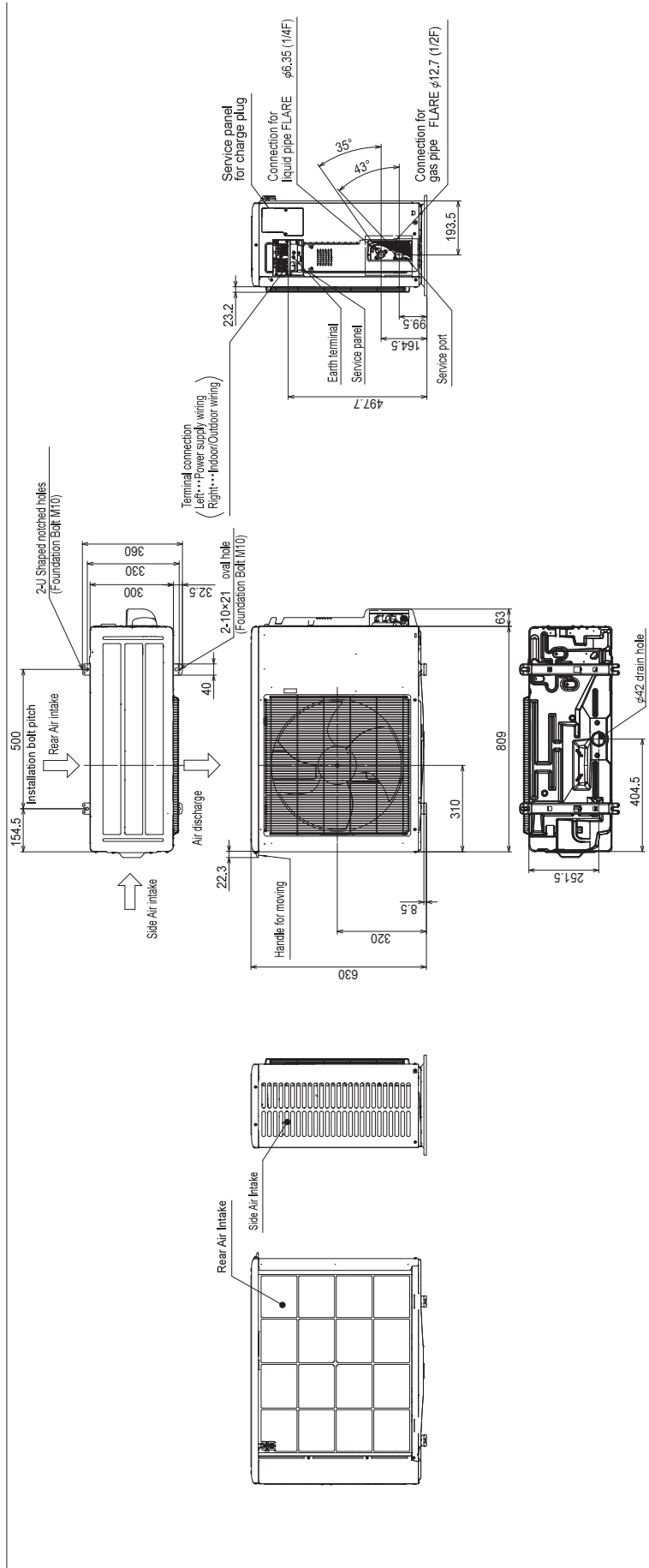
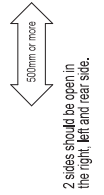
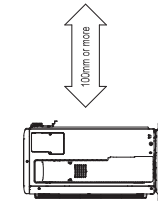
FOUNDATION BOLTS

Please secure the unit firmly with 4 foundation (M10) bolts. (Bolts, washers and nut must be purchased locally).



PIPING-WIRING DIRECTION

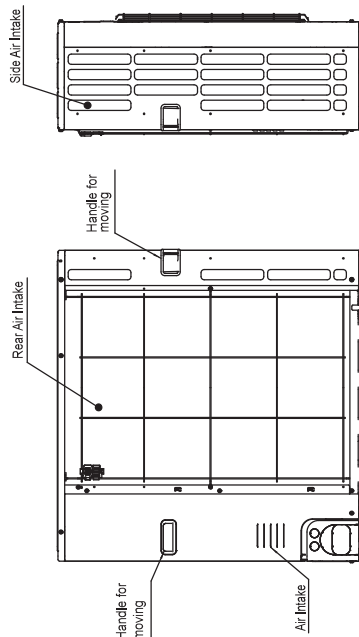
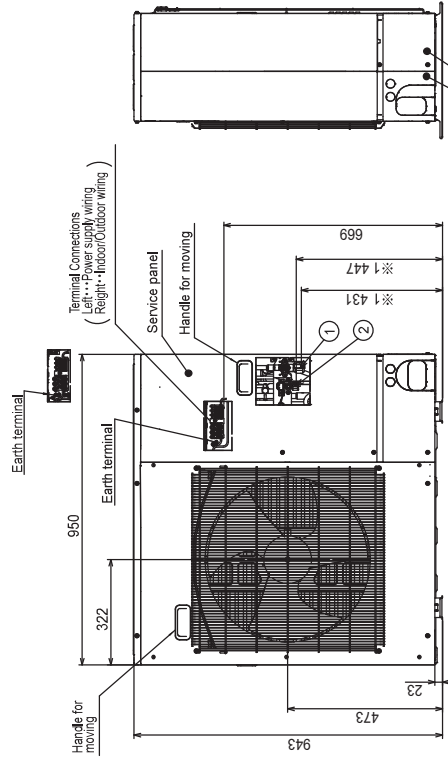
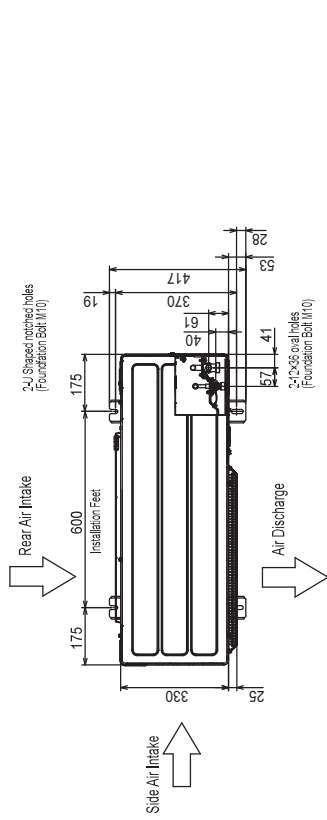
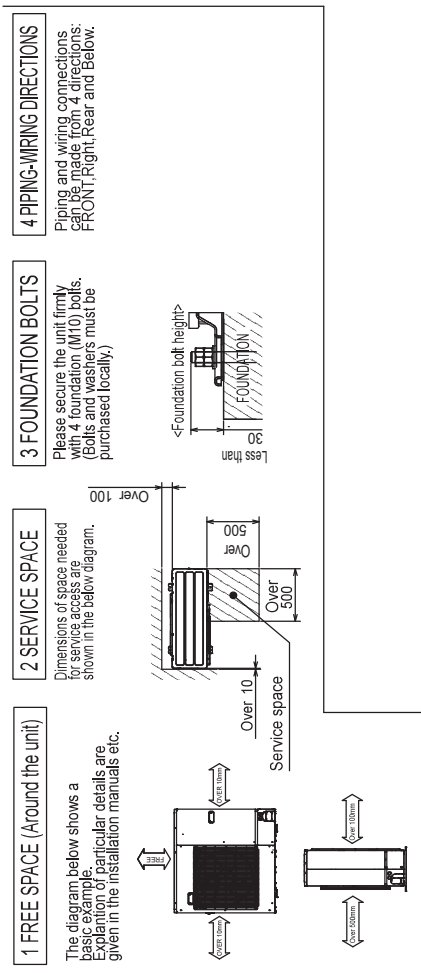
Piping and wiring connection can be made from the rear direction only.



PUZ-ZM60VHA

PUZ-ZM71VHA

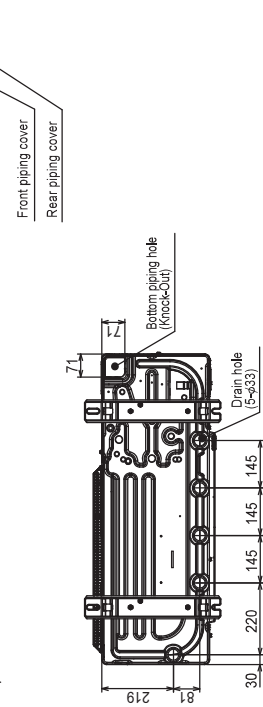
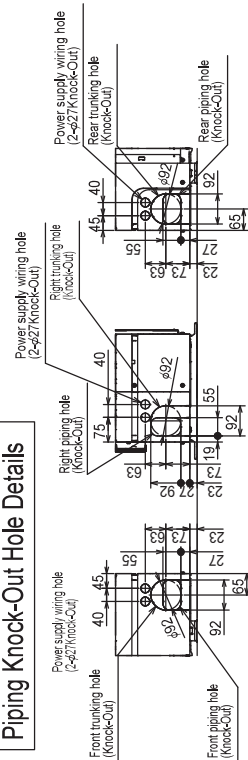
Unit: mm (inch)



Example of Notes

- ① --- Refrigerant GAS pipe connection (FLARE) φ16.8(5/8F)
- ② --- Refrigerant LIQUID pipe connection (FLARE) φ9.5(3/8F)
- ※ 1 --- Indication of STOP VALVE connection location.

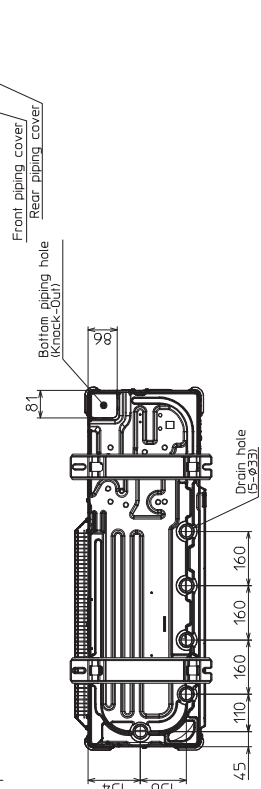
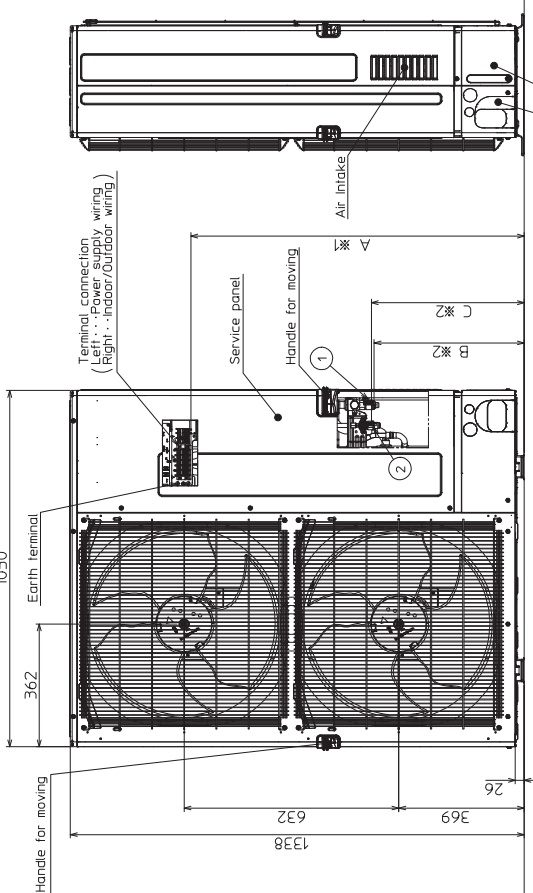
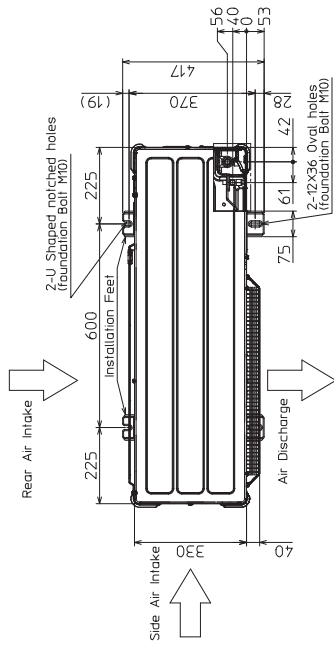
Piping Knock-Out Hole Details



Front piping cover
Rear piping cover

PUZ-ZM100VKA.UK
 PUZ-ZM125VKA.UK
 PUZ-ZM140VKA.UK
 PUZ-ZM100YKA.UK
 PUZ-ZM125YKA.UK
 PUZ-ZM140YKA.UK

Unit: mm

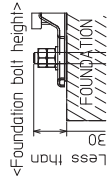


4 PIPING-WIRING DIRECTIONS

Piping and wiring connections can be made from 4 directions: FRONT, Right, Rear and Below.

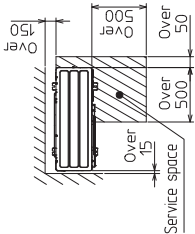
3 FOUNDATION BOLTS

Please secure the unit firmly with 4 foundation (M10) bolts. (Bolts and washers must be purchased locally.)



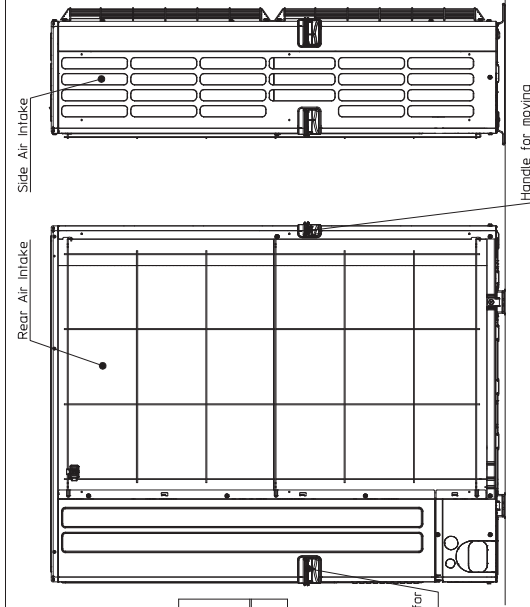
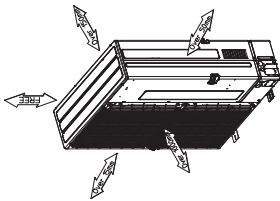
2 SERVICE SPACE

Dimensions of space needed for service access are shown in the below diagram.



1 FREE SPACE (Around the unit)

The diagram below shows a basic example. Explanation of particular details are given in the installation manuals etc.

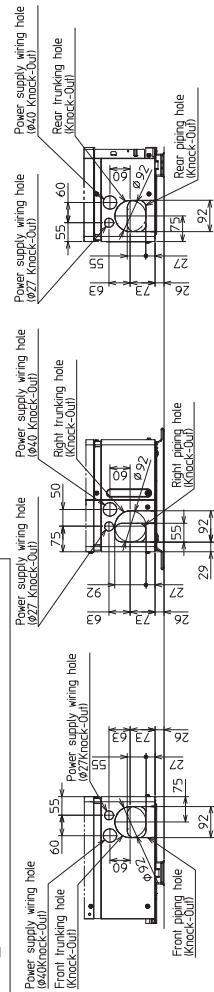


Example of Notes

Model	① Refrigerant GAS pipe connection			② Refrigerant LIQUID pipe connection		
	A	B	C	ø15.88 (5/8F1)	ø15.88 (5/8F1)	ø13.98 (1/2F1)
PUZ-ZM100-140VKA.UK	1067	442	450			
PUZ-ZM100-140YKA.UK	919	442	450			

ø1... Indication of Terminal connection location.
 ø2... Indication of STOP VALVE connection location.

Piping Knock-Out Hole Details



PUZ-ZM200YKA.UK
 PUZ-ZM250YKA.UK

Unit: mm

