

CMB-WM350/500F-AA Vertical HBC Controller

CITY MULTI

City Multi Hybrid VRF is an energy-efficient 2-pipe heat recovery VRF system, whereby the outdoor unit is connected to a Hybrid Branch Controller (HBC) and water pipework is used between the indoor unit & HBC.

With the refrigerant layout reduced, this revolutionary design minimises the need for leak detection and provides simultaneous heating and cooling to the occupied space.

R32

Key Features & Benefits:

- Valves, pumps and heat exchanger all contained within the HBC
- Manageable, phased installation through modular HBC system design - ideal for Cat A to Cat B applications
- Intuitive load adjusting flow control valves and inverter driven pumps for maximum efficiency
- Where ceiling space is tight or congested, the compact vertical HBC can be considered as an alternative to the traditional horizontal type HBC box
- The vertical HBC's reduced footprint enables easier installation and service access

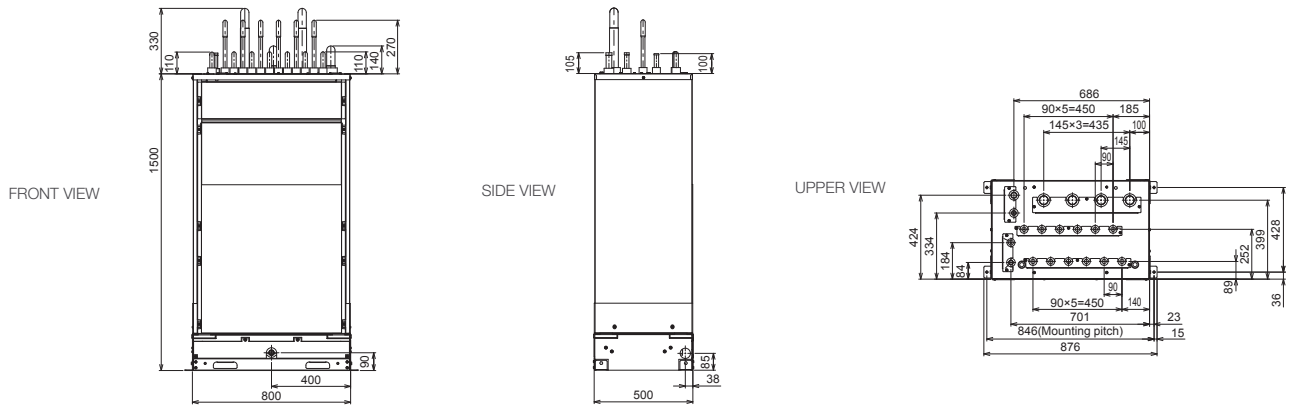




MAIN HBC CONTROLLERS	CMB-WM350F-AA	CMB-WM500F-AA
NUMBER OF CONNECTIONS	6	6
ORIENTATION	Vertical	Vertical
COMPATIBILITY	R32	R32
WEIGHT (kg)	196 (216)*	209 (233)*
DIMENSIONS (mm) Width x Depth (Control Box) x Height	800 x 500 x 1500	800 x 500 x 1500
ELECTRICAL SUPPLY	220-240v, 50Hz	220-240v, 50Hz
PHASE	Single	Single
POWER INPUT (kW)	1.50	1.50
RUNNING CURRENT (A)	6.52	6.52
FUSE RATING (BS88) - HRC (A)	10	10
MAINS CABLE NO. CORES	3	3

Notes:
 CMB-WM-V-AA (Main) and CMB-WM-V-BB (Sub) units are for use with PURY-(E)M200-500YNW-A1, PQRY-P200-500YLM-A1 outdoor/condenser units and HVRF indoor units only. CMB-WM-F-AA (Main) and CMB-WM-V-BB (Sub) units are for use with PURY-(E)M200-500YNW-A1 outdoor units and HVRF indoor units only.
 One CMB-WM-V-AA unit can be used on PURY-(E)M200-250YNW-A1 and PQRY-P200-250YNW-A1 units. One CMB-WM-V-AA unit can be used on PURY-(E)M300-350YNW-A1 and PQRY-P300-350YLM-A1 units with a system efficiency reduction.
 Two CMB-WM-V-AA units can be used in parallel on PURY-(E)M300-500YNW-A1 and PQRY-P300-500YLM-A1 outdoor/condenser units. PURY-(E)M400-500YNW-A1 requires two CMB-WM-V-AA units.
 One CMB-WM-F-AA can only be used on PURY-(E)M200-500YNW-A1 outdoor units.
 A CMB-WM-V-AA and a CMB-WM-F-AA cannot be connected to the same R32 outdoor unit.
 CMB-WM-V-BB units are for use with PURY-(E)M200-500YNW-A1, PQRY-P200-500YLM-A1 outdoor/condenser units and HVRF indoor units only, when accompanied by a CMB-WM-V-AA or CMB-WM-F-AA unit.
 (*) Includes Water

CMB-WM350/500F-AA DIMENSIONS



Telephone: 01707 282880
 email: air.conditioning@meuk.mee.com
les.mitsubishielectric.co.uk

- @meuk_les @green_gateway
- Mitsubishi Electric Living Environmental Systems UK
- Mitsubishi Electric Cooling and Heating UK
- mitsubishielectricuk_les
- Mitsubishi Electric Living Environmental Systems UK
- thehub.mitsubishielectric.co.uk

UNITED KINGDOM Mitsubishi Electric Europe Living Environment Systems Division, Travellers Lane, Hatfield, Hertfordshire, AL10 8XB, England. Telephone: 01707 282880 Fax: 01707 278881
IRELAND Mitsubishi Electric Europe, Westgate Business Park, Ballymount, Dublin 24, Ireland. Telephone: (01) 419 8800 Fax: (01) 419 8890 International code: (003531)

Country of origin: United Kingdom - Japan - Thailand - Malaysia. ©Mitsubishi Electric Europe 2021. Mitsubishi and Mitsubishi Electric are trademarks of Mitsubishi Electric Europe B.V. The company reserves the right to make any variation in technical specification to the equipment described, or to withdraw or replace products without prior notification or public announcement. Mitsubishi Electric is constantly developing and improving its products. All descriptions, illustrations, drawings and specifications in this publication present only general particulars and shall not form part of any contract. All goods are supplied subject to the Company's General Conditions of Sale, a copy of which is available on request. Third-party product and brand names may be trademarks or registered trademarks of their respective owners.

Note: The fuse rating is for guidance only. Please refer to the relevant databook for detailed specification. It is the responsibility of a qualified electrician/electrical engineer to select the correct cable size and fuse rating based on current regulation and site specific conditions. Mitsubishi Electric's air conditioning equipment and heat pump systems contain a fluorinated greenhouse gas, R410A (GWP:2088), R32 (GWP:675), R407C (GWP:1774), R134a (GWP:1430), R513A (GWP:631), R454B (GWP:466), R1234ze (GWP:7) or R1234yf (GWP:4). *These GWP values are based on Regulation (EU) No 517/2014 from IPCC 4th edition. In case of Regulation (EU) No.626/2011 from IPCC 3rd edition, these are as follows. R410A (GWP:1975), R32 (GWP:550), R407C (GWP:1650) or R134a (GWP:1300).

Effective as of November 2021

