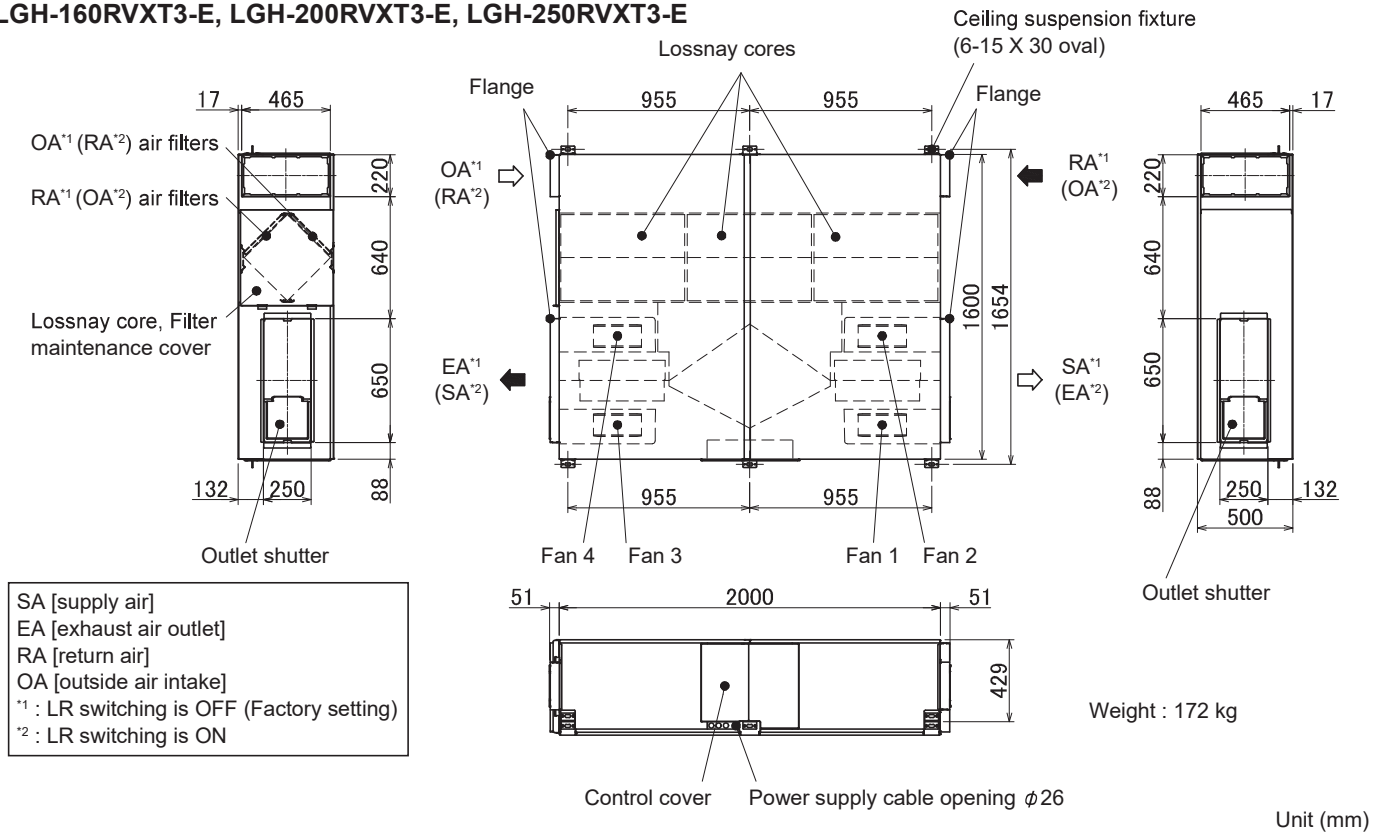
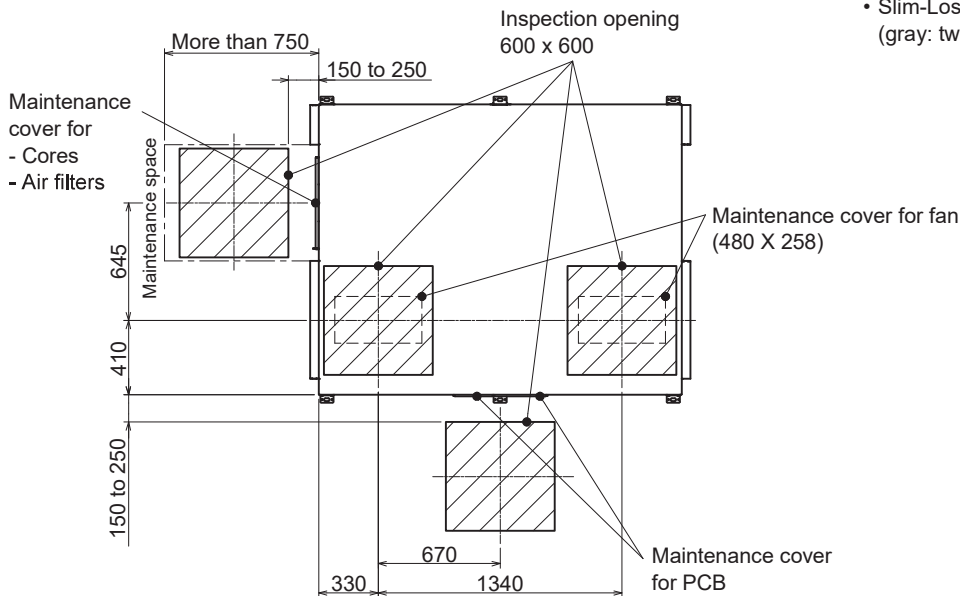


## 2. Outline drawings

LGH-160RVXT3-E, LGH-200RVXT3-E, LGH-250RVXT3-E



### Reference for maintenance space

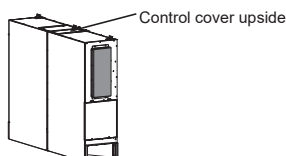


### Accessory parts

- Slim-Lossnay connection cable (gray: two wires)..... x1

## 3. Before installation

- Shutter cover cartons should be removed just before connecting duct. If the shutter move freely, it could be damaged during the installation.
- If carrying the product into the building is difficult due to the product's size, it is possible to stand the product up like the picture below.



### CAUTION

- Before standing the product up, remove the Lossnay cores and filters (See page 5 of the operating instructions.)
- Deep caution is necessary during the carry.
- Vertical installation is prohibited.
- Do not hold flanges during the carrying.
- Do not remove shutter cover cartboards while carrying.