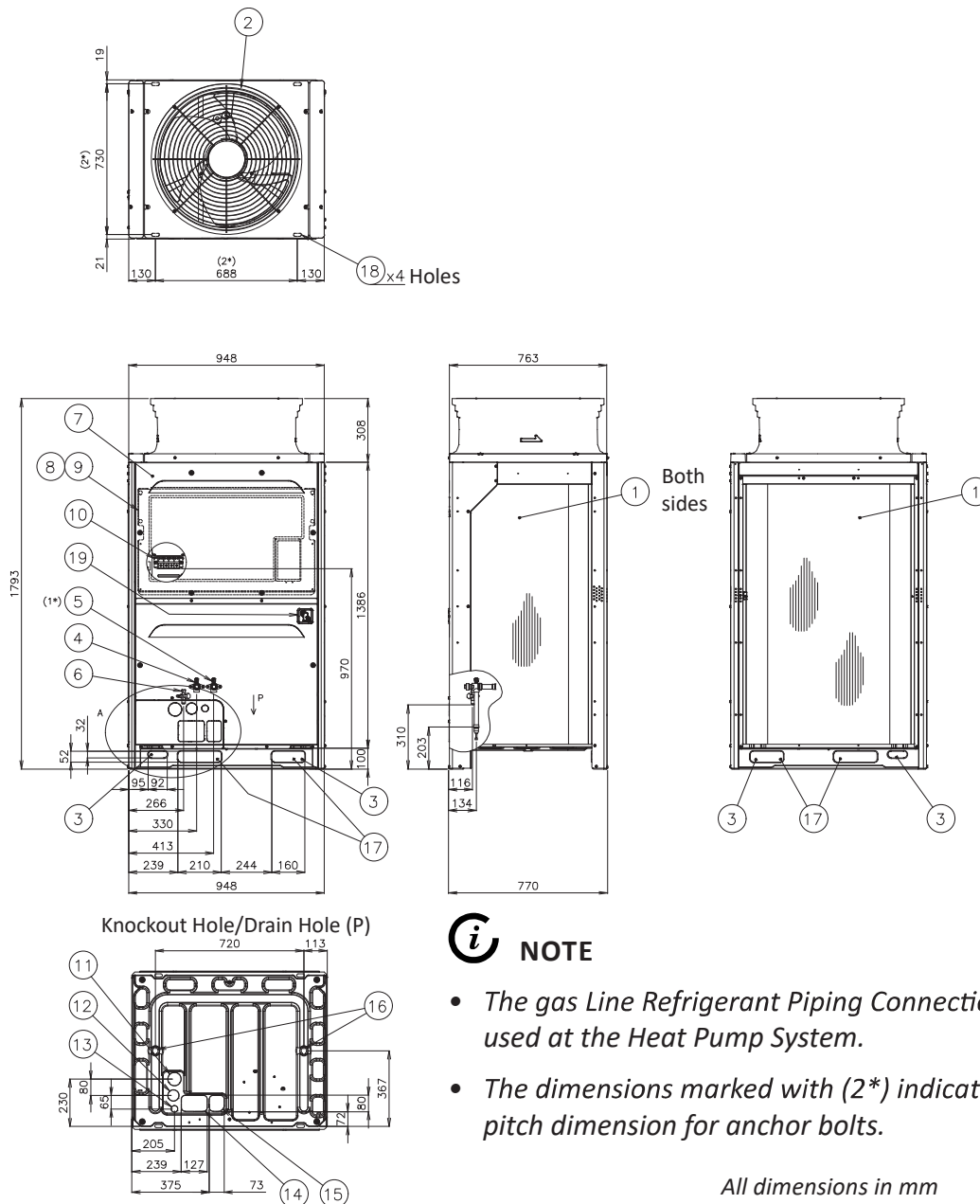




General dimensions

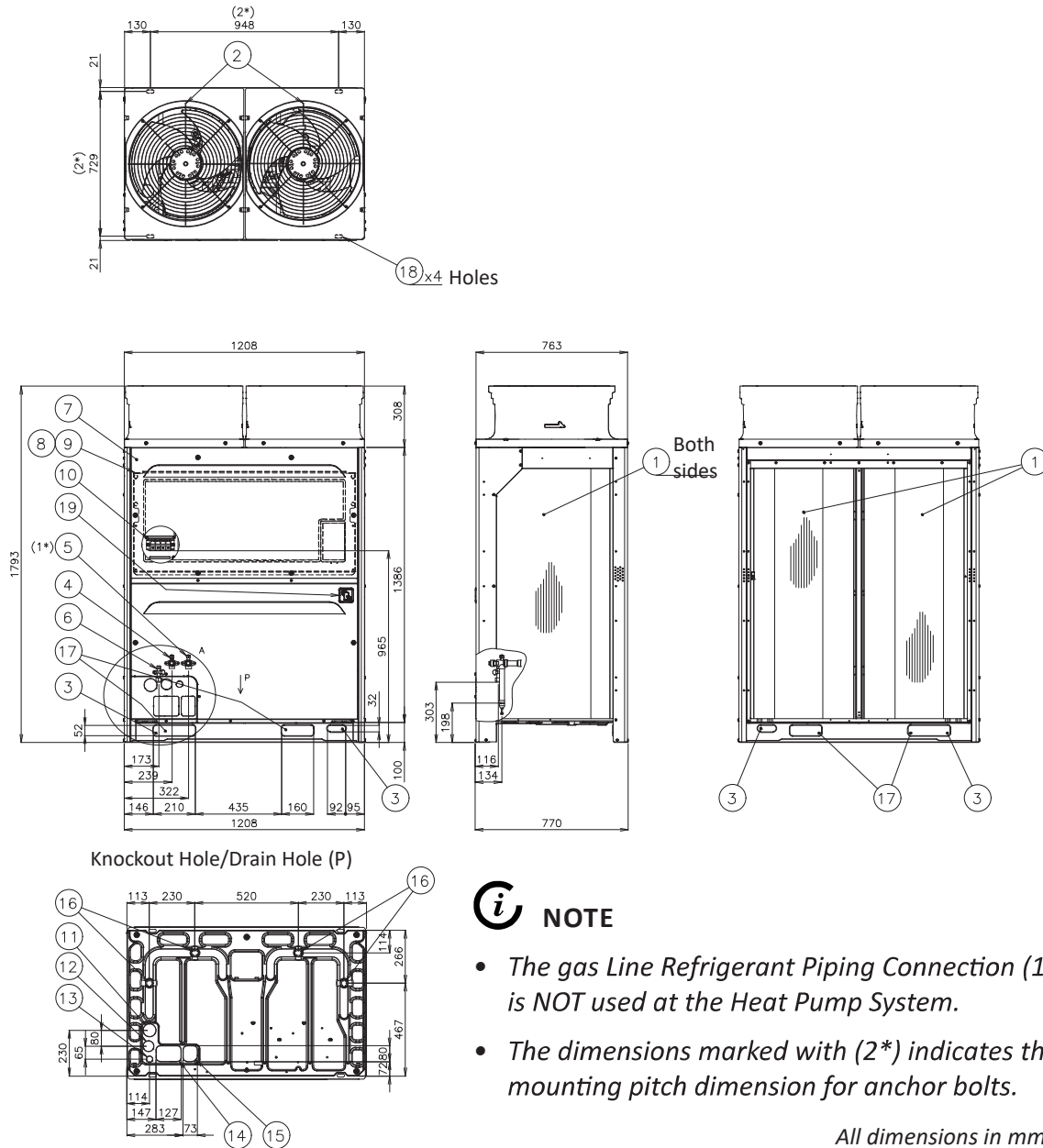
7.1	Dimensions RAS-(8-12)FSXNS2E and RAS-(5/6)FSXNP2E	212
7.2	Dimensions RAS-(14-18)FSXNS2E and RAS-(8-14)FSXNP2E	213
7.3	Dimensions RAS-(20-24)FSXNS2E and RAS-(16/18)FSXNP2E	214
7.4	CH-Box dimensions.....	215
7.5	Service space for outdoor unit.....	218
7.6	Installation with walls in three directions	219
7.7	Installation with walls in four directions	220
7.8	Considerations.....	221
7.9	Service space for CH-Box.....	222

7.1 Dimensions RAS-(8-12)FSXNS2E and RAS-(5/6)FSXNP2E



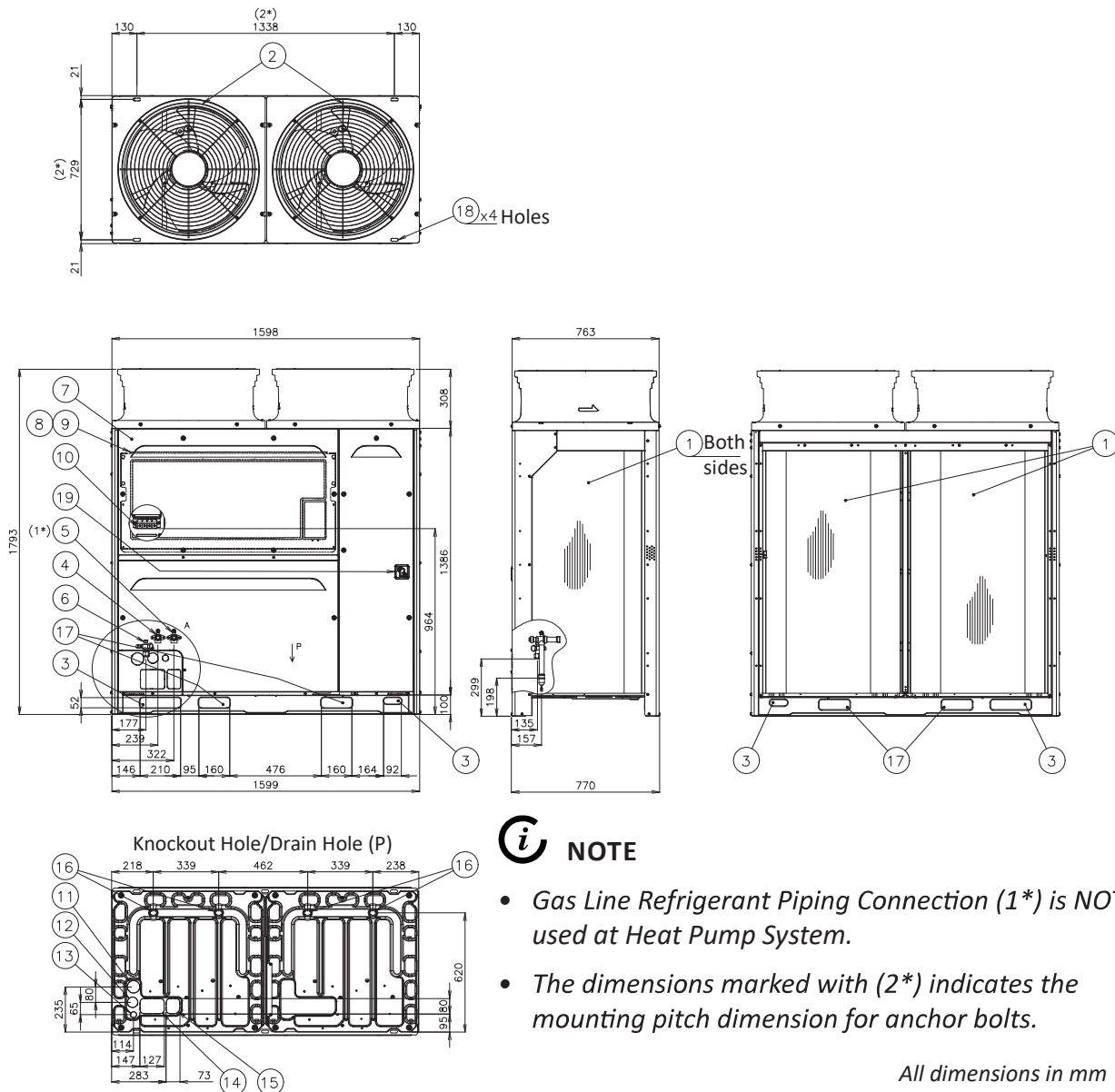
No.	Part	No.	Part
1	Air Inlet	11	Power Source Cable Outlet (ø65 Knockout Hole)
2	Air Outlet	12	Power Transition Cable Outlet (ø55 Knockout Hole)
3	Hole for Suspension 4-ø50	13	Control Cable Outlet (ø33 Knockout Hole)
4	Gas Line Refrigerant Piping Connection (High/Low Pressure)	14	Refrigerant Piping Outlet (High/Low Pressure Gas,Liquid) (Knockout Square Hole)
5	Gas Line Refrigerant Piping Connection (Low Pressure) (1*)	15	Refrigerant Piping Outlet (Low Pressure Gas) (Knockout Square Hole)
6	Liquid Line Refrigerant Piping Connection	16	Mounting Position for Drain Cap (Optional) 2-ø26
7	Service Cover	17	Hole for forklift
8	Electrical Box Cover	18	Anchor bolt mounting hole
9	Electrical Box	19	NFC
10	TB Box (3N~ 400V 50Hz)		

7.2 Dimensions RAS-(14-18)FSXNS2E and RAS-(8-14)FSXNP2E



No.	Part	No.	Part
1	Air Inlet	11	Power Source Cable Outlet (ø65 Knockout Hole)
2	Air Outlet	12	Power Transition Cable Outlet (ø55 Knockout Hole)
3	Hole for Suspension	13	Control Cable Outlet (ø33 Knockout Hole)
4	Gas Line Refrigerant Piping Connection (High/Low Pressure)	14	Refrigerant Piping Outlet (High/Low Pressure Gas,Liquid) (Knockout Square Hole)
5	Gas Line Refrigerant Piping Connection (Low Pressure) (1*)	15	Refrigerant Piping Outlet (Low Pressure Gas) (Knockout Square Hole)
6	Liquid Line Refrigerant Piping Connection	16	Mounting Position for Drain Cap (Optional) 2-ø26
7	Service Cover	17	Hole for Forklift
8	Electrical Box Cover	18	Anchor Bolt Mounting Hole
9	Electrical Box	19	NFC
10	TB Box (3N~ 400V 50Hz)		

7.3 Dimensions RAS-(20-24)FSXNS2E and RAS-(16/18)FSXNP2E



No.	Part	No.	Part
1	Air Inlet	11	Power Source Cable Outlet (ø65 Knockout Hole)
2	Air Outlet	12	Power Transition Cable Outlet (ø55 Knockout Hole)
3	Hole for Suspension	13	Control Cable Outlet (ø33 Knockout Hole)
4	Gas Line Refrigerant Piping Connection (High/Low Pressure)	14	Refrigerant Piping Outlet (High/Low Pressure Gas,Liquid) (Knockout Square Hole)
5	Gas Line Refrigerant Piping Connection (Low Pressure)(1*)	15	Refrigerant Piping Outlet (Low Pressure Gas) (Knockout Square Hole)
6	Liquid Line Refrigerant Piping Connection	16	Mounting Position for Drain Cap (Optional) 2-ø26
7	Service Cover	17	Hole for Forklift
8	Electrical Box Cover	18	Anchor Bolt Mounting Hole
9	Electrical Box	19	NFC
10	TB Box (3N~ 400V 50Hz)		