



RAC Solo, the compact air conditioner without outdoor unit


1. Slim and compact full metal body. Only 16,5cm deep (indoor).
2. No outdoor unit. Just two 162mm holes*
3. Heating and cooling or Cooling only modes available
4. DC Inverter technology
5. Easy and flexible installation. Stand-alone unit with no refrigerant connections.
6. Self-closing grille. Open only during operation.

* (202mm for the biggest capacity).




R290

R32

-15°C


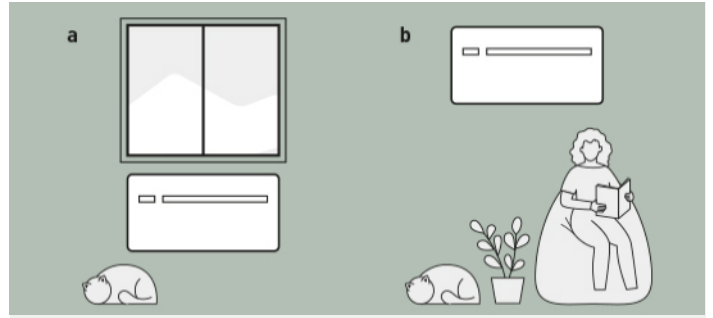
Seamless integration, indoors and outdoors



No outdoor unit. Just two 162mm holes*

The RAC Solo range offers great installation flexibility as it is a stand-alone unit with no refrigerant connections during installation. The side installation kit, which must be embedded in the wall, allows the air flow to be redirected sideways for greater installation flexibility (see image A1/A2).

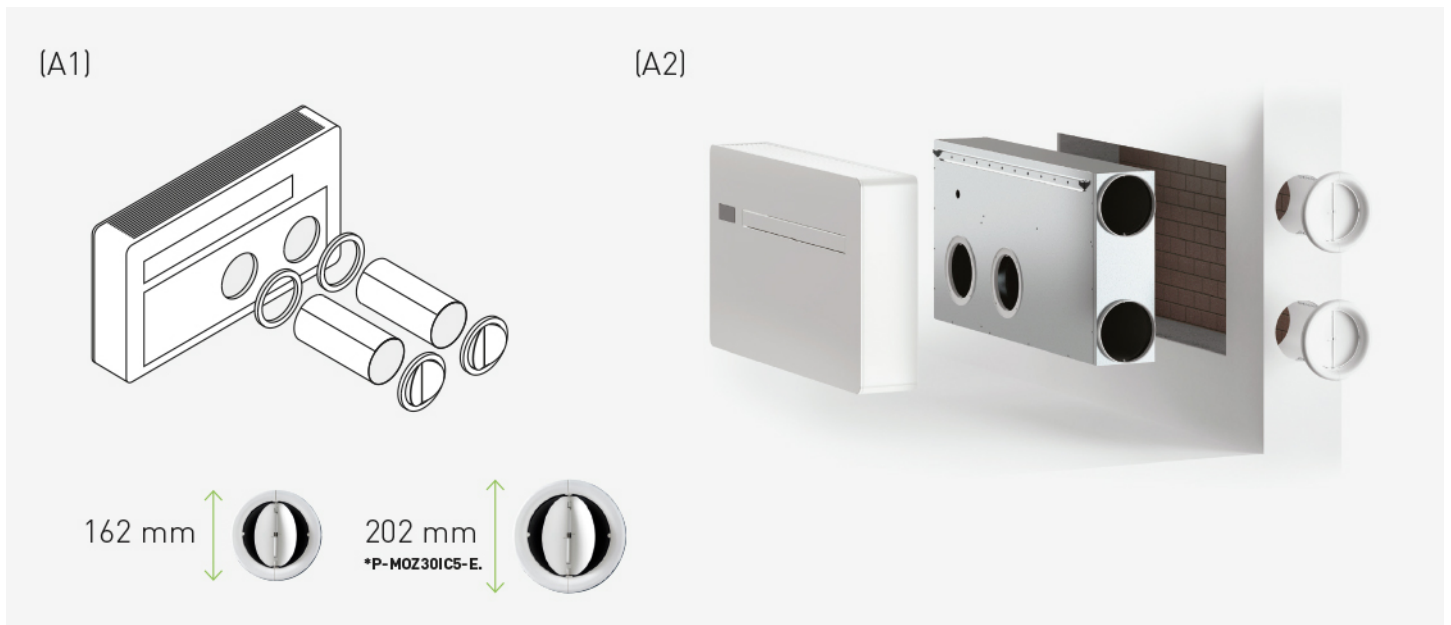
* 202mm for the biggest capacity.



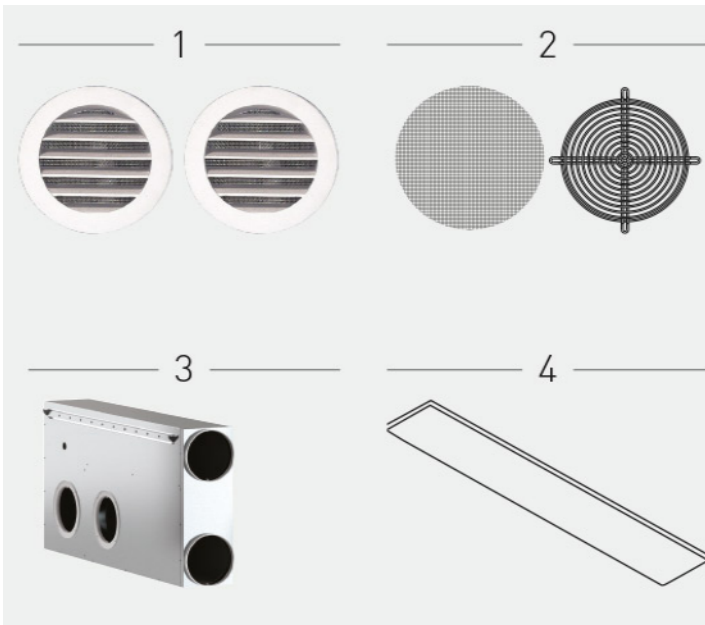
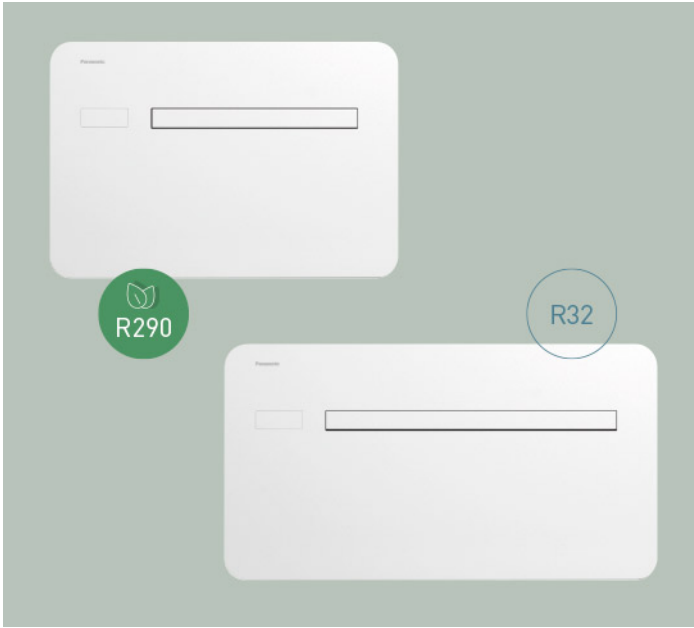
Easy and flexible installation

All you need is a perimeter wall, to exchange air with the outside. The unit can be placed high on the wall or low on the floor.

A. Down installation. B. Overhead installation.

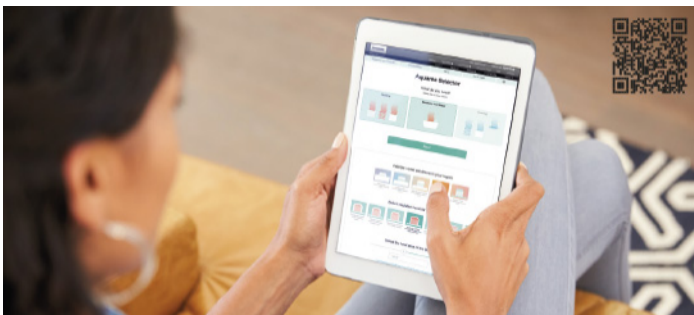


Product and accessories



Accessories

- 1. **PCZ-GB0738:** Kit of external aluminium grids with fixed fins (162mm holes).
- 1. **PCZ-GB1091:** Kit of external aluminium grids with fixed fins (202mm holes).
- 2. **PCZ-GB0755:** Insect protection kit (1 metal mesh, 1 grid in metal wire and fixing accessories).
- 3. **PCZ-L00773:** Side exit formwork for corner installation (right-hand outlet).
- 3. **PCZ-L00774:** Side exit formwork for corner installation (left-hand outlet).
- 4. **PCZ-GB0737:** Bottom cover kit for overhead installation for P-MOZ20/25/30IC5-E.
- 4. **PCZ-GB1105:** Bottom cover kit for overhead installation for P-MOG16IC5-E.



Aquarea Quick Selector

Helping you to find the Aquarea Heat Pump for your home in just a few clicks!

<https://aircon.panasonic.eu/visit/selection-tool/>



AR Heat Pump Viewer

This tool allows you to see how a Panasonic Aquarea Heat Pump looks in a home, utilising augmented reality.

<https://www.aircon.panasonic.eu/visit/ar-aquarea/>

RAC Solo · R290 / R32

		SINGLE PHASE			
		1.7 kW	2.0 kW	2.5 kW	3.0 kW
RAC Solo · R290 / R32					
Cooling capacity (Nominal)	kW	1,73	2,09	2,33	2,87
Cooling capacity (Min)	kW	0,70	0,83	0,92	1,40
Cooling capacity (Max)	kW	2,35	2,64	3,10	3,50
EER (1)	W/W	3,01	3,29	3,25	2,74
SEER (2)		4,60 B	4,70 A	4,60 B	4,10 C
Input power cooling	kW	0,57	0,64	0,73	1,04
Heating capacity (Nominal)	kW	1,71	2,08	2,31	2,75
Heating capacity (Min)	kW	0,75	0,71	0,79	1,35
Heating capacity (Max)	kW	2,40	2,64	3,05	3,50
Heating capacity at -7°C	kW	1,13	1,37	1,52	1,81
COP (1)	W/W	3,15	3,31	3,28	3,12
SCOP (2)		3,70 A	3,80 A	3,70 A	3,40 A
Input power heating	W	0,54	0,63	0,71	0,88
Power supply	V	230	230	230	230
Air flow (Med)	m ³ /min	5,0	5,2	5,3	5,8
Moisture removal volume	L/h	0,7	0,8	0,9	1,2
Operating range (Cool - Min)	°C	-5	-5	-5	-5
Operating range (Cool - Max)	°C	+43	+43	+43	+43
Operating range (Heat - Min)	°C	-15	-15	-15	-15
Operating range (Heat - Max)	°C	+18	+18	+18	+18