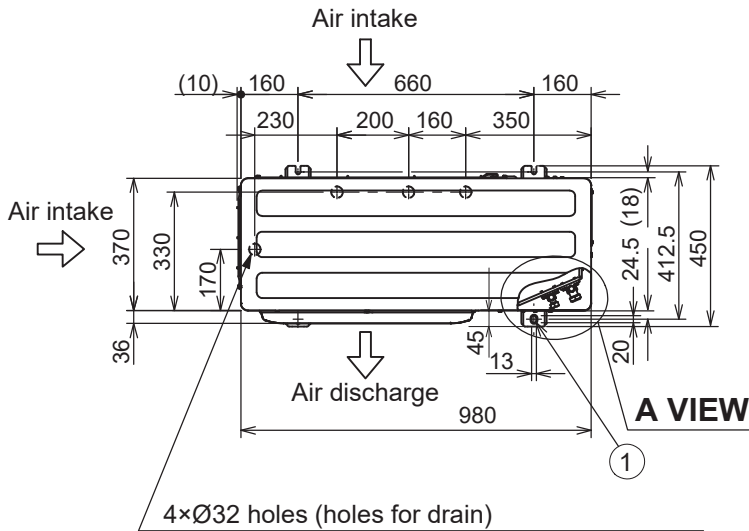


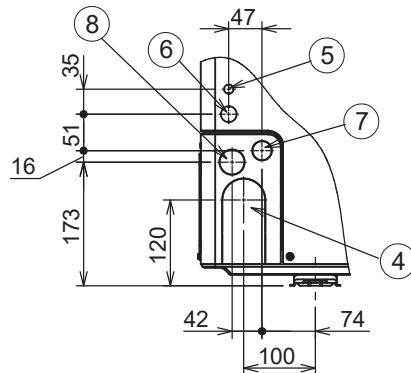
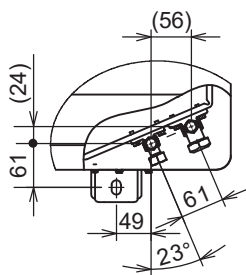
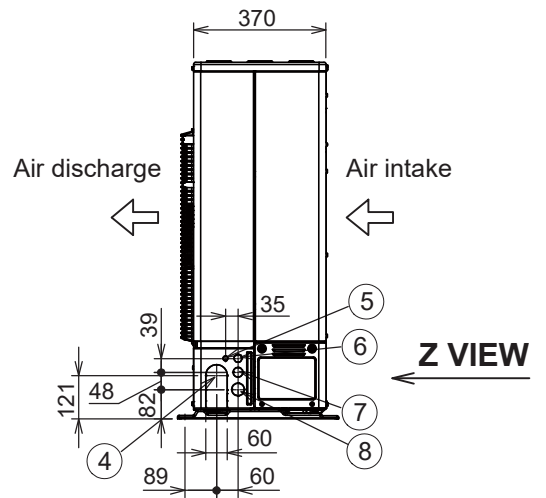
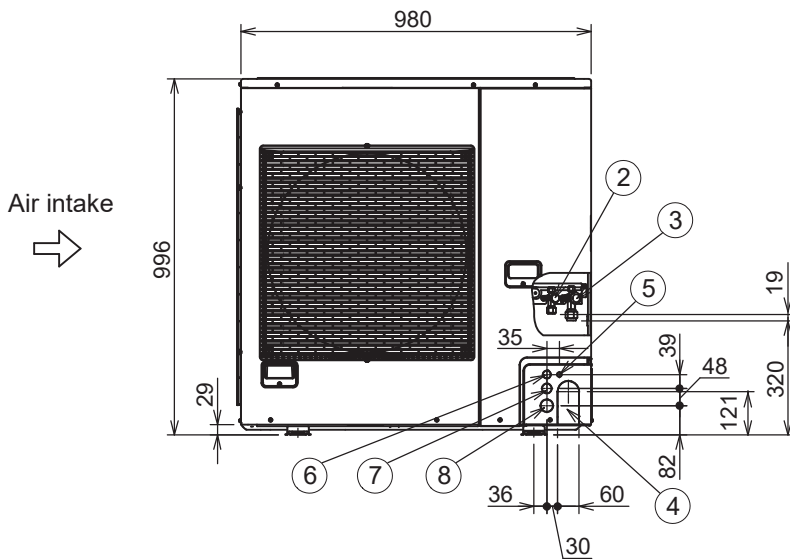
1-2-2-3. PZH4 U-71PZH4E5, U-100PZH4E5, U-125PZH4E5, U-140PZH4E5
 U-71PZH4E8, U-100PZH4E8, U-125PZH4E8, U-140PZH4E8

Unit: mm

①	Mounting hole (4-R6.5), anchor bolt : M10
②	Refrigerant tubing (liquid tube), flared connection (Ø9.52)
③	Refrigerant tubing (gas tube), flared connection (Ø15.88)
④	Refrigerant tubing port
⑤	Electrical wiring port (Ø13)
⑥	Electrical wiring port (Ø22)
⑦	Electrical wiring port (Ø27)
⑧	Electrical wiring port (Ø35)



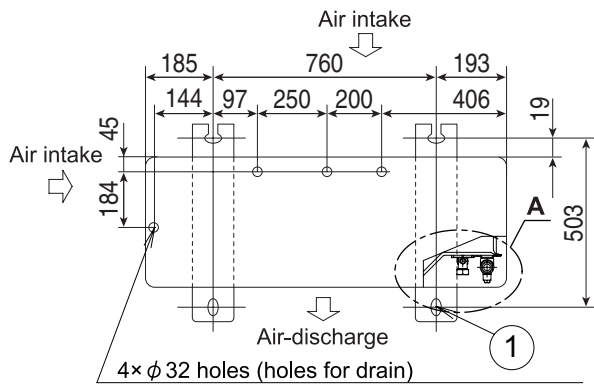
When using a drain pipe, install the drain socket (field supply) on to the drain hole. Seal the other drain hole with the rubber cap.



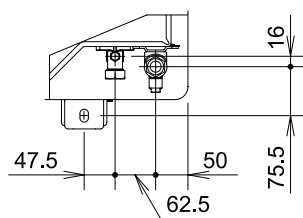
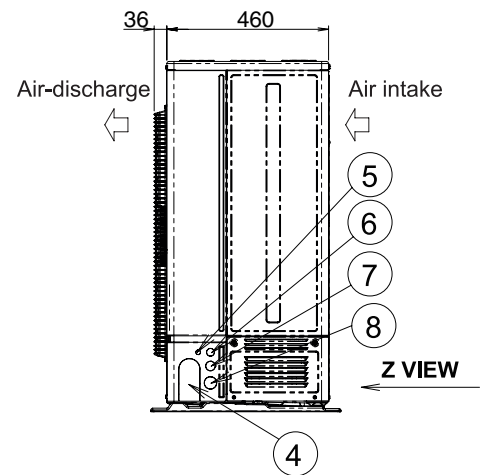
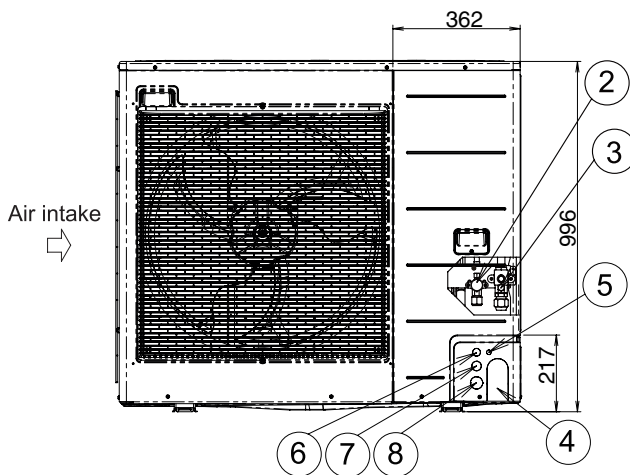
(B) Outdoor Units
U-200PZH4E8, U-250PZH4E8

Unit: mm

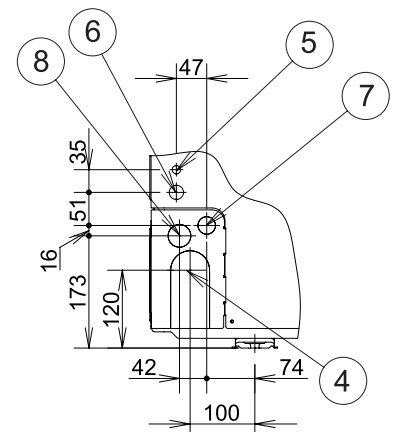
①	Mounting hole (4-R6.5), anchor bolt : M10
②	Refrigerant tubing (liquid tube), flared connection (ø12.7)
③	Refrigerant tubing (gas tube), flared connection (ø22.22)
④	Refrigerant tubing port
⑤	Electrical wiring port (ø13)
⑥	Electrical wiring port (ø22)
⑦	Electrical wiring port (ø27)
⑧	Electrical wiring port (ø35)



When using a drain pipe, install the drain socket (field supply) onto the drain port. Seal the other drain port with the rubber cap.



A VIEW



Z VIEW